



Retail Brochure

**Quality Industrial Grade
Hydraulic Cylinders designed
and manufactured to last**

CONTENTS

2	Company Information
3	Clevis End Agricultural Hydraulic Cylinder Product Specifications
4	Clevis End Agricultural Hydraulic Cylinder Product Diagrams
5	Clevis End Agricultural Hydraulic Cylinder Installation Dimensions
5	Clevis End Agricultural Hydraulic Cylinder Force Table
6-7	Clevis End Agricultural Hydraulic Cylinder Dimensions and Weights
8	Front End Loader Product Diagram / Force Table
9	Front End Loader Dimensions and Weights
10	Product Images
11	General Information



Committed to Quality Products and Excellent Service

We are a reliable, committed and outstanding wholesale service company.

Our innovative solutions will meet your individual requirements, using only the highest quality imported products.

Our greatest assets are the excellent quality of our products and the people who represent our company.

Our Products:

- Catford Yellow Line Clevis End Industrial Hydraulic Cylinders
- Catford Hydraulic Cylinders – Bushed Ends
- Catford Yellow Line Industrial Front End Loader Cylinders
- Catford Phasing & Re-Phasing Hydraulic Cylinders
- Catford DC and AC Hydraulic Power Pack Units
- Non Standard / Custom made Hydraulic Cylinders

All our products are certified worldwide with the following ISO standard:

- ISO 9001-2008 standard
- ISO 14001 & OSHAS 18001
- ISO 3834-2 (Fusion Welding Process)

Product Specifications

Catford Yellow Line Industrial Grade Hydraulic Cylinders

Cylinder Type:

- Double Acting with Clevis ends

4 Port Cylinder:

- Allowing simple easy access around machinery brackets

Cylinder Working Pressure:

- 210 Bar - 3045 PSI

Cylinder Test Pressure:

- 315 Bar - 4568 PSI

Seals Maximum Operating Pressures and Conditions:

- Pressures: 414 Bar - 6000 PSI
- Temperature: -30°C to +110°C
- Speed: 0.5 Metres Per Second
- Shock and Load Holding Capabilities
- Double acting K-DAS piston seal providing positive displacement under all rated pressure situations



Rod Material & Hardening:

- EN8D/C45 round bar
- Toughened and Induction Hardened
- Chrome Thickness: 20 to 30 Microns hard chromed piston rod for superior corrosion resistance

Tube Material:

- CDS ST52/E355 steel tube
- Seamless steel tube accurately honed to ensure smooth operation and extended seal life

End Head, Rod End and Piston Material:

- EN8D/C45 tensile strength - 650 N/mm²

Gland Material:

- SG IRON SG500/7 Spheroidal Graphite Cast Iron

Colour:

- Choice of Industrial Gloss Yellow or Industrial Gloss Black

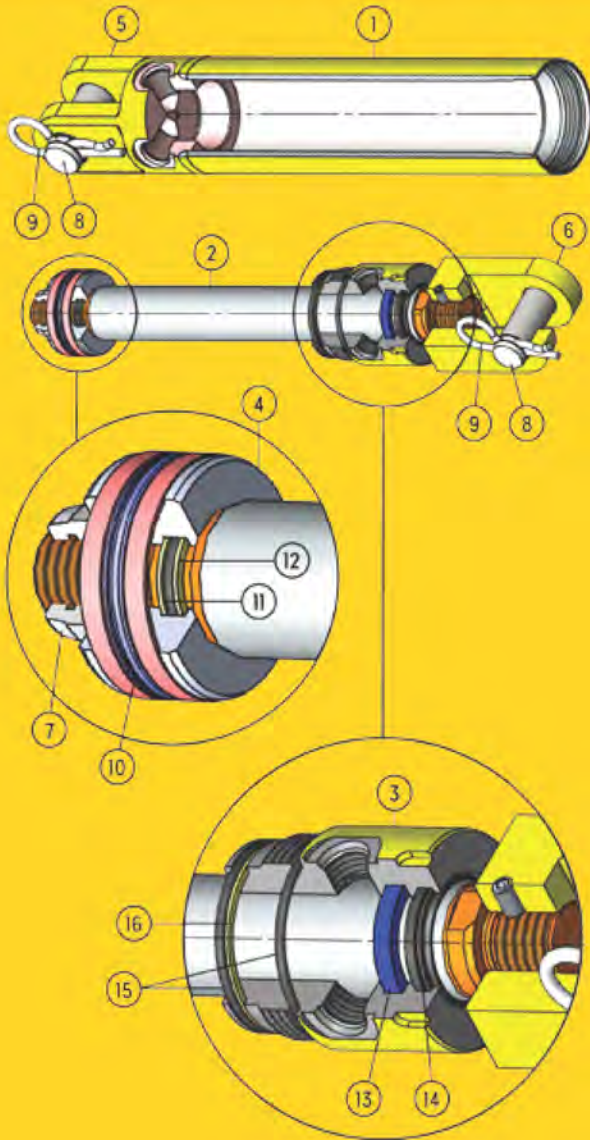
Machining Tolerances:

- All threads machined to 2A/B specification
- All pin holes machined to D9 tolerance
- All machine surface finishes to be 3.2um Ra.

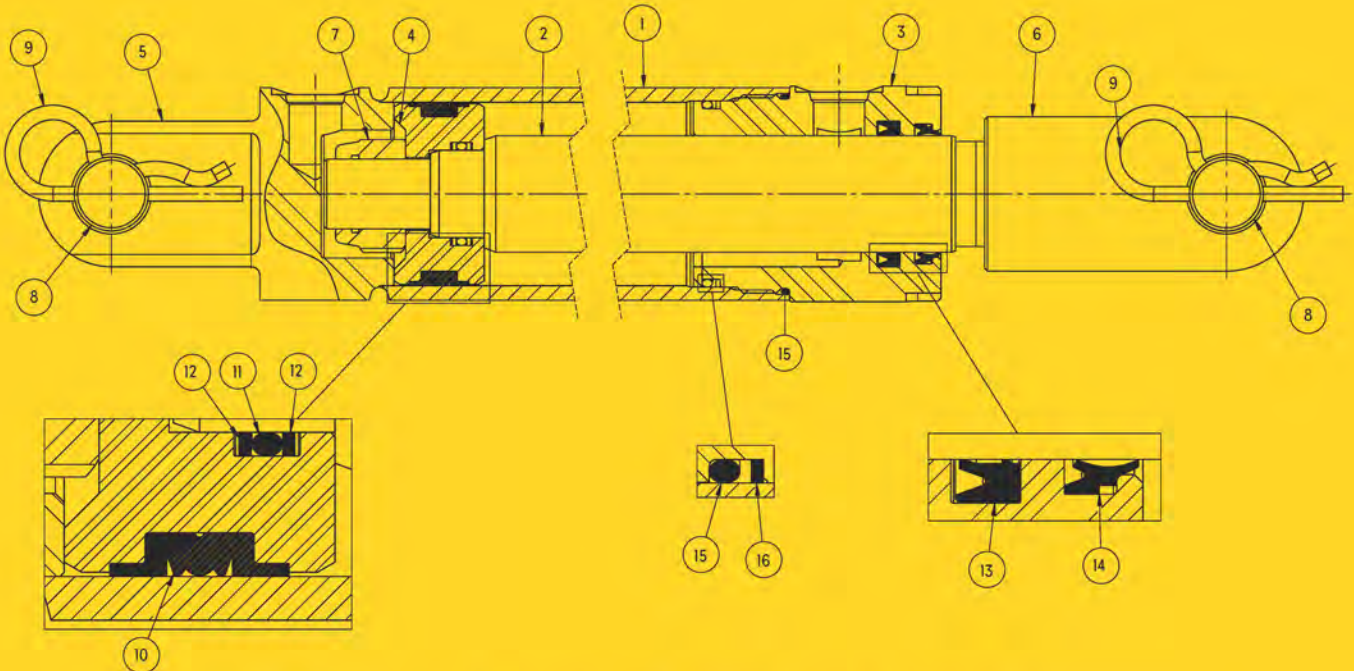


Email sales@catford.com.au
Mobile 0418 641 566
Web www.carfordhydraulics.com.au
ABN 27 167 993 179

Clevis End Cylinder Product Diagram

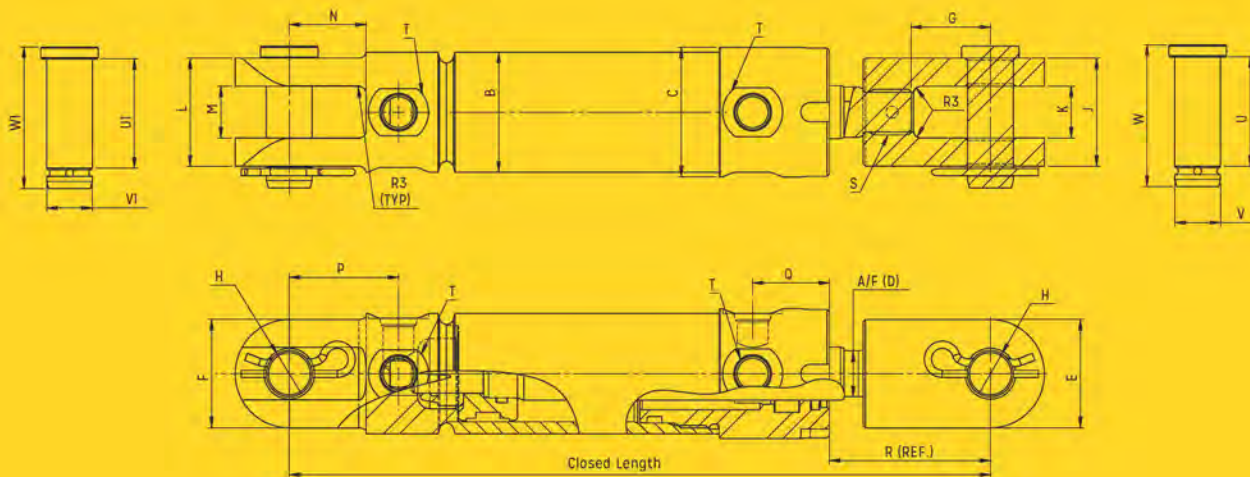


PART	DESCRIPTION
1	CYLINDER TUBE CDS ST52/E355 seamless steel tube, accurately honed to ensure smooth operation and extended seal life.
2	PISTON ROD High precision grounded, EN8D/C45 round bars, toughened and induction hardened, hard chrome plated with deposit of 20-30 microns, tensile strength - 600 N/mm ² .
3	GLAND Ductile cast iron - SG500/7, tensile strength - 500 N/mm ² .
4	PISTON EN8D/C45 round bars, tensile strength - 650 N/mm ² .
5	REAR CLEVIS EN8D/C45 round bars, tensile strength - 650 N/mm ² .
6	FRONT CLEVIS EN8D/C45 round bars, tensile strength - 650 N/mm ² .
7	PISTON NUT Gr 6 = Nyloc nut material UTS = 600N/mm ² .
8	CLEVIS PIN EN24 - toughened, BS970 round bars, tensile strength - 750 N/mm ² .
9	BETA PIN Spring steel for durability and ease of installation/removal.
10	PISTON SEAL Double acting high pressure, heavy duty seal comprising an elastomeric profile seal ring, two back up rings & two guide rings. K-DAS piston seal.
11	PISTON O-RING NBR O-ring, acrylonitrile-butadiene rubber (nitrile rubber).
12	PISTON BACK UP RING PTFE back up ring, polytetrafluoroethylene, internal and external high pressure application, reciprocating and rotating movement, capable of large temperature fluctuations, static and dynamic suited.
13	ROD PRESSURE SEAL U-CUP Double lip single acting seal with acetal polyamide back up ring for high pressure applications, abrasive and wear resistant, compensates deflections of piston rod, restricts air and dirt entry to system, suited to sudden load and high pressure, simple installation.
14	WIPER SEAL Wiper seal ensures that foreign matter is not introduced into the system, PU material, compact design and ease of installation.
15	GLAND O-RING NBR O-ring, acrylonitrile-butadiene rubber (nitrile rubber).
16	GLAND BACK UP RING PTFE back up ring, polytetrafluoroethylene, internal and external high pressure application, reciprocating and rotating movement, capable of large temperature fluctuations, static and dynamic suited.



Email sales@catford.com.au
 Mobile 0418 641 566
 Web www.carfordhydraulics.com.au
 ABN 27 167 993 179

Clevis End Cylinder Installation Dimensions



BORE mm	ROD mm	B mm	C mm	D mm	E mm	F mm	G mm	H mm	J mm	K mm	L mm	M mm	N mm	P mm	Q mm	R mm	S-THREAD inch	T-THREAD inch	U mm	V mm	W mm	U1 mm	VI mm	WI mm
40	22	50	54	19	45	45	33	19.2	45	21.5	45	21.5	32	45.5	32	67	3/4" - 16UNF	9/16" - 18UNF	46	19.05	59	46	19.05	59
50	32	60	64	29	53	50	54	25.5	65	28.5	52	28	51	67	32	98	1-1/8" - 12UNF	9/16" - 18UNF	66	25.4	81	53	25.4	68
63	40	73	74	36	53	50	54	25.5	65	28.5	60	28	51	70	35	98	1-1/8" - 12UNF	3/4" - 16UNF	66	25.4	81	61	25.4	76
75	40	85	84	36	53	50	54	25.5	65	28.5	60	28	48	67	35	98	1-3/8" - 12UNF	3/4" - 16UNF	66	25.4	81	61	25.4	76
90	45	102	102	NA	53	63	54	25.4	65	28.5	68	28	47	66	35	91	1-3/8" - 12UNF	3/4" - 16UNF	66	25.4	81	69	25.4	84
100	45	115	115	41	53	63	54	25.5	65	28.5	68	28	45	64	30	98	1-3/8" - 12UNF	3/4" - 16UNF	66	25.4	81	69	25.4	84
125	50	140	140	NA	75	75	54	25.4	75	28.5	75	28	45	64	27	91	1-3/8" - 12UNF	3/4" - 16UNF	66	25.4	81	69	25.4	84
125	63	140	140	NA	75	75	54	25.4	75	28.5	75	28	45	64	27	91	1-3/8" - 12UNF	3/4" - 16UNF	66	25.4	81	69	25.4	84

Clevis End Cylinder Extension/Retraction Force

Cylinder Bore	Maximum Extension Force	Rod Size	Maximum Retraction Force	PSI
1 1/2" - 40mm	2.0 tonne	7/8" - 22mm	1.5 tonne	2500
1 1/2" - 40mm	2.4 tonne	7/8" - 22mm	1.8 tonne	3000
2" - 50mm	3.6 tonne	1 1/4" - 32mm	2.2 tonne	2500
2" - 50mm	4.3 tonne	1 1/4" - 32mm	2.6 tonne	3000
2 1/2" - 63mm	5.6 tonne	1 1/2" - 40mm	3.6 tonne	2500
2 1/2" - 63mm	6.7 tonne	1 1/2" - 40mm	4.3 tonne	3000
3" - 75mm	8.0 tonne	1 1/2" - 40mm	6.0 tonne	2500
3" - 75mm	9.6 tonne	1 1/2" - 40mm	7.2 tonne	3000
3 1/2" - 90mm	11.0 tonne	1 3/4" - 45mm	8.2 tonne	2500
3 1/2" - 90mm	13.1 tonne	1 3/4" - 45mm	9.8 tonne	3000
4" - 100mm	14.3 tonne	1 3/4" - 45mm	11.5 tonne	2500
4" - 100mm	17.1 tonne	1 3/4" - 45mm	13.8 tonne	3000
5" - 125mm	22.3 tonne	2" - 50mm	18.7 tonne	2500
5" - 125mm	26.7 tonne	2" - 50mm	22.4 tonne	3000
5" - 125mm	22.3 tonne	2 1/2" - 63mm	16.7 tonne	2500
5" - 125mm	26.7 tonne	2 1/2" - 63mm	20.0 tonne	3000



Email sales@catford.com.au
Mobile 0418 641 566
Web www.carfordhydraulics.com.au
ABN 27 167 993 179

Clevis End Cylinder Dimensions and Weights

Part No.	Bore	Stroke	Rod diameter	Closed length	Open length	Port size	Pin diameter	Weight	
CRY152	1 1/2" 40mm	2" - 51mm	7/8" 22mm	11 1/2" - 292mm	13 1/2" - 343mm	9/16" UN "O" Ring	3/4" 19.05mm	6.4kg	
CRY154		4" - 102mm		13 1/2" - 343mm	17 1/2" - 444mm			6.7kg	
CRY156		6" - 152mm		15 1/2" - 393mm	21 1/2" - 546mm			7.0kg	
CRY158		8" - 203mm		17 1/2" - 444mm	25 1/2" - 647mm			7.3kg	
CRY1510		10" - 254mm		19 1/2" - 495mm	29 1/2" - 749mm			7.5kg	
CRY1512		12" - 305mm		21 1/2" - 546mm	33 1/2" - 851mm			7.8kg	
CRY1514		14" - 356mm		23 1/2" - 597mm	37 1/2" - 953mm			8.1kg	
CRY1516		16" - 406mm		25 1/2" - 647mm	41 1/2" - 1053mm			8.3kg	
CRY1518		18" - 457mm		27 1/2" - 698mm	45 1/2" - 1155mm			8.6kg	
CRY1520		20" - 508mm		29 1/2" - 749mm	49 1/2" - 1257mm			8.9kg	
CRY1522		22" - 559mm		31 1/2" - 800mm	53 1/2" - 1359mm			9.3kg	
CRY1524		24" - 610mm		33 1/2" - 851mm	57 1/2" - 1460mm			9.4kg	
CRY1530		30" - 762mm		39 1/2" - 1003mm	69 1/2" - 1765mm			10.2kg	
CRY1536		36" - 914mm		45 1/2" - 1155mm	81 1/2" - 2069mm			11.0kg	
CRY1548		48" - 1219mm		57 1/2" - 1460mm	105 1/2" - 2679mm			13.5kg	
CRY22	2" 50mm	2" - 51mm	1 1/2" 32mm	14 1/2" - 362mm	16 1/2" - 413mm		9/16" UN "O" Ring	1" 25.4mm	6.6kg
CRY24		4" - 102mm		16 1/2" - 413mm	20 1/2" - 514mm				7.4kg
CRY26		6" - 152mm		18 1/2" - 463mm	24 1/2" - 616mm				8.2kg
CRY28		8" - 203mm		20 1/2" - 514mm	28 1/2" - 717mm				9.0kg
CRY210		10" - 254mm		22 1/2" - 565mm	32 1/2" - 819mm				9.8kg
CRY212		12" - 305mm		24 1/2" - 616mm	36 1/2" - 921mm				10.6kg
CRY214		14" - 356mm		26 1/2" - 667mm	40 1/2" - 1022mm				11.2kg
CRY216		16" - 406mm		28 1/2" - 717mm	44 1/2" - 1123mm				12.2kg
CRY218		18" - 457mm		30 1/2" - 768mm	48 1/2" - 1225mm				13.0kg
CRY220		20" - 508mm		32 1/2" - 819mm	52 1/2" - 1327mm				13.8kg
CRY222		22" - 559mm		34 1/2" - 870mm	56 1/2" - 1429mm				14.6kg
CRY224		24" - 610mm		36 1/2" - 921mm	60 1/2" - 1530mm				15.4kg
CRY226		26" - 660mm		38 1/2" - 971mm	64 1/2" - 1631mm				16.2kg
CRY228		28" - 711mm		40 1/2" - 1022mm	68 1/2" - 1733mm				17.0kg
CRY230		30" - 762mm		42 1/2" - 1073mm	72 1/2" - 1835mm				17.8kg
CRY236	36" - 914mm	48 1/2" - 1225mm	84 1/2" - 2139mm	20.2kg					
CRY242	42" - 1067mm	54 1/2" - 1378mm	96 1/2" - 2445mm	22.6kg					
CRY248	48" - 1219mm	60 1/2" - 1530mm	108 1/2" - 2749mm	25.0kg					
CRY252	2 1/2" 63mm	2" - 51mm	1 1/2" 40mm	14 1/2" - 362mm	16 1/2" - 413mm	3/4" UN "O" Ring		1" 25.4mm	8.6kg
CRY254		4" - 102mm		16 1/2" - 413mm	20 1/2" - 514mm				9.1kg
CRY256		6" - 152mm		18 1/2" - 463mm	24 1/2" - 616mm				9.8kg
CRY258		8" - 203mm		20 1/2" - 514mm	28 1/2" - 717mm				10.8kg
CRY2510		10" - 254mm		22 1/2" - 565mm	32 1/2" - 819mm				11.9kg
CRY2512		12" - 305mm		24 1/2" - 616mm	36 1/2" - 921mm				12.8kg
CRY2514		14" - 356mm		26 1/2" - 667mm	40 1/2" - 1022mm				13.6kg
CRY2516		16" - 406mm		28 1/2" - 717mm	44 1/2" - 1123mm				14.1kg
CRY2518		18" - 457mm		30 1/2" - 768mm	48 1/2" - 1225mm				14.8kg
CRY2520		20" - 508mm		32 1/2" - 819mm	52 1/2" - 1327mm				15.7kg
CRY2522		22" - 559mm		34 1/2" - 870mm	56 1/2" - 1429mm				16.6kg
CRY2524		24" - 610mm		36 1/2" - 921mm	60 1/2" - 1530mm				17.6kg
CRY2526		26" - 660mm		38 1/2" - 971mm	64 1/2" - 1631mm		18.6kg		
CRY2528		28" - 711mm		40 1/2" - 1022mm	68 1/2" - 1733mm		19.7kg		
CRY2530		30" - 762mm		42 1/2" - 1073mm	72 1/2" - 1835mm		20.6kg		
CRY2536	36" - 914mm	48 1/2" - 1225mm	84 1/2" - 2139mm	23.2kg					
CRY2542	42" - 1067mm	54 1/2" - 1378mm	96 1/2" - 2445mm	26.2kg					
CRY2548	48" - 1219mm	60 1/2" - 1530mm	108 1/2" - 2749mm	29.1kg					



Email sales@catford.com.au
Mobile 0418 641 566
Web www.carfordhydraulics.com.au
ABN 27 167 993 179

Clevis End Cylinder Dimensions and Weights

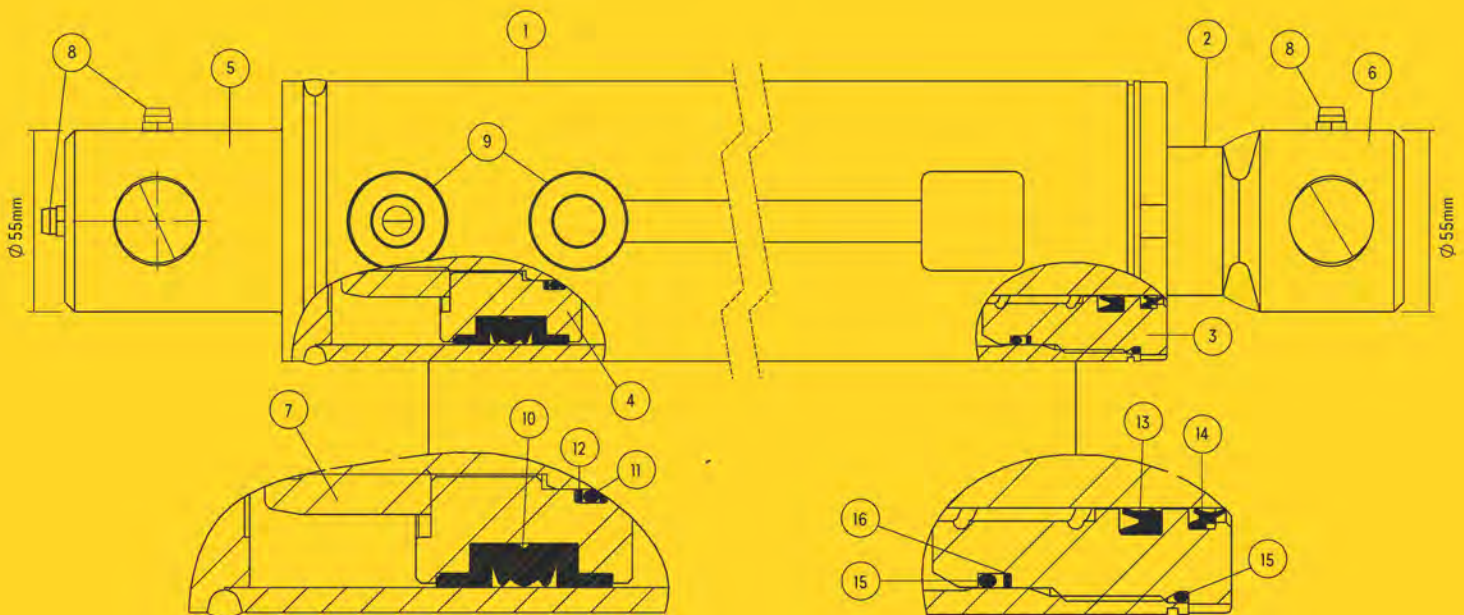
Part No.	Bore	Stroke	Rod diameter	Closed length	Open length	Port size	Pin diameter	Weight				
CRY32	3" 75mm	2" - 51mm	1 1/2" 40mm	14 1/2" - 362mm	16 1/2" - 413mm	3/4" UN "O" Ring	1" 25.4mm	11.6kg				
CRY34		4" - 102mm		16 1/2" - 413mm	20 1/2" - 515mm			12.6kg				
CRY36		6" - 152mm		18 1/2" - 463mm	24 1/2" - 616mm			13.4kg				
CRY38		8" - 203mm		20 1/2" - 514mm	28 1/2" - 717mm			14.5kg				
CRY310		10" - 254mm		22 1/2" - 565mm	32 1/2" - 819mm			15.5kg				
CRY312		12" - 305mm		24 1/2" - 616mm	36 1/2" - 921mm			16.7kg				
CRY314		14" - 356mm		26 1/2" - 667mm	40 1/2" - 1023mm			17.4kg				
CRY316		16" - 406mm		28 1/2" - 717mm	44 1/2" - 1124mm			18.5kg				
CRY318		18" - 457mm		30 1/2" - 768mm	48 1/2" - 1225mm			19.3kg				
CRY320		20" - 508mm		32 1/2" - 819mm	52 1/2" - 1327mm			20.5kg				
CRY322		22" - 559mm		34 1/2" - 870mm	56 1/2" - 1429mm			21.6kg				
CRY324		24" - 610mm		36 1/2" - 921mm	60 1/2" - 1531mm			22.7kg				
CRY326		26" - 660mm		38 1/2" - 971mm	64 1/2" - 1632mm			23.9kg				
CRY328		28" - 711mm		40 1/2" - 1022mm	68 1/2" - 1733mm			25.2kg				
CRY330		30" - 762mm		42 1/2" - 1073mm	72 1/2" - 1835mm			26.4kg				
CRY336		36" - 914mm		48 1/2" - 1225mm	84 1/2" - 2139mm			30.0kg				
CRY342	42" - 1067mm	54 1/2" - 1378mm	96 1/2" - 2445mm	33.3kg								
CRY348	48" - 1219mm	60 1/2" - 1530mm	108 1/2" - 2749mm	36.9kg								
CRY356	3 1/2" 90mm	6" - 152mm	1 3/4" 45mm	18 1/2" - 463mm	24 1/2" - 616mm	3/4" UN "O" Ring	1" 25.4mm	18.1kg				
CRY358		8" - 203mm		20 1/2" - 514mm	28 1/2" - 717mm			19.7kg				
CRY3510		10" - 254mm		22 1/2" - 565mm	32 1/2" - 819mm			21.2kg				
CRY3512		12" - 305mm		24 1/2" - 616mm	36 1/2" - 921mm			22.8kg				
CRY3514		14" - 356mm		26 1/2" - 667mm	40 1/2" - 1023mm			24.4kg				
CRY3516		16" - 406mm		28 1/2" - 717mm	44 1/2" - 1124mm			25.9kg				
CRY3518		18" - 457mm		30 1/2" - 768mm	48 1/2" - 1225mm			27.4kg				
CRY3520		20" - 508mm		32 1/2" - 819mm	52 1/2" - 1327mm			29.0kg				
CRY3524		24" - 610mm		36 1/2" - 921mm	60 1/2" - 1531mm			32.1kg				
CRY3530		30" - 762mm		42 1/2" - 1073mm	72 1/2" - 1835mm			36.7kg				
CRY3536		36" - 914mm		48 1/2" - 1225mm	84 1/2" - 2139mm			41.4kg				
CRY3542		42" - 1067mm		54 1/2" - 1378mm	96 1/2" - 2445mm			46.1kg				
CRY3548		48" - 1219mm		60 1/2" - 1530mm	108 1/2" - 2749mm			50.7kg				
CRY48		4" 100mm		8" - 203mm	2" 50mm			20 1/2" - 514mm	28 1/2" - 717mm	3/4" UN "O" Ring	1" 25.4mm	22.0kg
CRY410				10" - 254mm				22 1/2" - 565mm	32 1/2" - 819mm			23.5kg
CRY412				12" - 305mm				24 1/2" - 616mm	36 1/2" - 921mm			25.0kg
CRY414	14" - 356mm		26 1/2" - 667mm	40 1/2" - 1023mm		26.5kg						
CRY416	16" - 406mm		28 1/2" - 717mm	44 1/2" - 1124mm		28.0kg						
CRY418	18" - 457mm		30 1/2" - 768mm	48 1/2" - 1225mm		29.7kg						
CRY420	20" - 508mm		32 1/2" - 819mm	52 1/2" - 1327mm		31.4kg						
CRY424	24" - 610mm		36 1/2" - 921mm	60 1/2" - 1531mm		34.6kg						
CRY430	30" - 762mm		42 1/2" - 1073mm	72 1/2" - 1835mm		39.0kg						
CRY436	36" - 914mm		48 1/2" - 1225mm	84 1/2" - 2139mm		45.0kg						
CRY442	42" - 1067mm		54 1/2" - 1378mm	96 1/2" - 2445mm		49.5g						
CRY448	48" - 1219mm		60 1/2" - 1530mm	108 1/2" - 2749mm		55.0kg						
CRY58	5" 125mm		8" - 203mm	2" 50mm		20 1/2" - 514mm	28 1/2" - 717mm	3/4" UN "O" Ring	1" 25.4mm			31.0kg
CRY512			12" - 305mm			24 1/2" - 616mm	36 1/2" - 921mm					35.0kg
CRY516			16" - 406mm			28 1/2" - 717mm	44 1/2" - 1124mm					39.1kg
CRY518			18" - 457mm			30 1/2" - 768mm	48 1/2" - 1225mm					41.1kg
CRY520		20" - 508mm	32 1/2" - 819mm		52 1/2" - 1327mm	43.2kg						
CRY524		24" - 610mm	36 1/2" - 921mm	60 1/2" - 1531mm	53.0kg							
CRY530		30" - 762mm	42 1/2" - 1073mm	72 1/2" - 1835mm	60.5kg							
CRY536		36" - 914mm	48 1/2" - 1225mm	84 1/2" - 2139mm	68.2kg							
CRY542		42" - 1067mm	54 1/2" - 1378mm	96 1/2" - 2445mm	75.9kg							
CRY548		48" - 1219mm	60 1/2" - 1530mm	108 1/2" - 2749mm	83.2kg							



Email sales@catford.com.au
Mobile 0418 641 566
Web www.carfordhydraulics.com.au
ABN 27 167 993 179

Catford Yellow Line

Front End Loader Industrial Grade Hydraulic Cylinders



PART	DESCRIPTION
1	CYLINDER TUBE CDS ST52/E355 seamless steel tube, accurately honed to ensure smooth operation and extended seal life.
2	PISTON ROD High precision grounded, EN8D/C45 round bars, toughened and induction hardened, hard chrome plated with deposit of 20-30 microns, tensile strength - 600 N/mm ² .
3	GLAND Ductile cast iron - SG500/7, tensile strength - 500 N/mm ² .
4	PISTON EN8D/C45 round bars, tensile strength - 650 N/mm ² .
5	REAR END BUSH EN8D/C45 round bars, tensile strength - 650 N/mm ² .
6	FRONT END BUSH EN8D/C45 round bars, tensile strength - 650 N/mm ² .
7	PISTON NUT Gr 6 - Nyloc nut material UTS = 600N/mm ² .
8	GREASE NIPPLES Grease nipples N8X1 - 25mm
9	PORTS 3/8" BSP Ports

PART	DESCRIPTION
10	PISTON SEAL Double acting high pressure, heavy duty seal comprising an elastomeric profile seal ring, two back up rings & two guide rings, K-DAS piston seal.
11	PISTON O-RING NBR O-ring, acrylonitrile-butadiene rubber (nitrile rubber).
12	PISTON BACK UP RING PTFE back up ring, polytetrafluoroethylene, internal and external high pressure application, reciprocating and rotating movement, capable of large temperature fluctuations, static and dynamic suited.
13	ROD PRESSURE SEAL U-CUP Double lip single acting seal with acetal polyamide back up ring for high pressure applications, abrasive and wear resistant, compensates deflections of piston rod, restricts air and dirt entry to system, suited to sudden load and high pressure, simple installation.
14	WIPER SEAL Wiper seal ensures that foreign matter is not introduced into the system, PU material, compact design and ease of installation.
15	GLAND O-RING NBR O-ring, acrylonitrile-butadiene rubber (nitrile rubber).
16	GLAND BACK UP RING PTFE back up ring, polytetrafluoroethylene, internal and external high pressure application, reciprocating and rotating movement, capable of large temperature fluctuations, static and dynamic suited.

Front End Loader Extension/Retraction Force

Cylinder Bore	Maximum Extension Force	Rod Size	Maximum Retraction Force	PSI
2 1/2" - 63mm	5.6 tonne	1 1/2" - 40mm	3.6 tonne	2500
2 1/2" - 63mm	6.7 tonne	1 1/2" - 40mm	4.3 tonne	3000
3" - 75mm	8.0 tonne	1 3/4" - 45mm	5.3 tonne	2500
3" - 75mm	9.6 tonne	1 3/4" - 45mm	6.3 tonne	3000

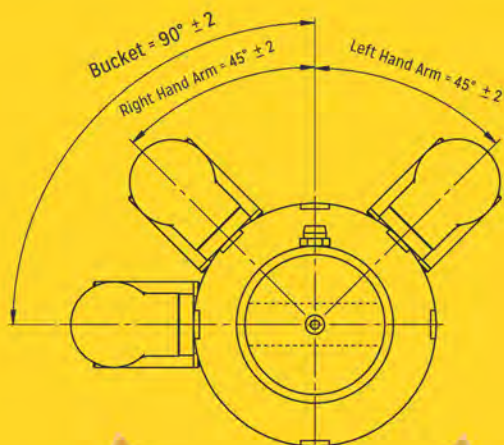


Email sales@catford.com.au
 Mobile 0418 641 566
 Web www.carfordhydraulics.com.au
 ABN 27 167 993 179

Catford Yellow Line

Front End Loader Industrial Grade Hydraulic Cylinders

Part No.	Cylinder Type	Bore	Stroke	Rod Diameter	Closed Length	Open Length	Port Size	Pin Diameter	Weight
FEL2516-B	Bucket	2 1/2" 63mm	16" 406mm	1 1/2" 40mm	25 1/4" 641mm	41 1/4" 1047mm	3/8" BSP	1" 25.4mm	15kg
FEL2522-B	Bucket		22 1/4" 565mm		31 1/4" 800mm	53 3/4" 1365mm			18kg
FEL2530-RH	Arm - Right Hand		30" 762mm		39 1/4" 997mm	69 1/4" 1759mm			21kg
FEL2530-LH	Arm - Left Hand		30" 762mm		39 1/4" 997mm	69 1/4" 1759mm			21kg
FEL316-B	Bucket	3" 75mm	16" 406mm	1 3/4" 45mm	25 1/4" 641mm	41 1/4" 1047mm			20kg
FEL322-B	Bucket		22 1/4" 565mm		31 1/4" 800mm	53 3/4" 1365mm			23kg
FEL3265-RH	Arm - Right Hand		26 1/2" 673mm		35 7/8" 910mm	62 3/8" 1583mm			25kg
FEL3265-LH	Arm - Left Hand		26 1/2" 673mm		35 7/8" 910mm	62 3/8" 1583mm			25kg
FEL330-RH	Arm - Right Hand		30" 762mm		39 1/4" 997mm	69 1/4" 1759mm			27kg
FEL330-LH	Arm - Left Hand		30" 762mm		39 1/4" 997mm	69 1/4" 1759mm			27kg



Machining Tolerances:

- All threads machined to 2A/B specification
- All pin holes machined to D9 tolerance
- All machine surface finishes to be 3.2um Ra.



Email sales@catford.com.au
Mobile 0418 641 566
Web www.carfordhydraulics.com.au
ABN 27 167 993 179

Product Images



Email sales@catford.com.au
Mobile 0418 641 566
Web www.carfordhydraulics.com.au
ABN 27 167 993 179

General Information

Freight:

All costs associated with cartage, insurance and haulage are not included in the invoice and are the sole responsibility of the customer unless stipulated in a quote. Catford Hydraulics Pty Ltd transport/freight responsibility ceases once goods are despatched.

Damaged Freight:

It is the responsibility of the receiver to file any claims for damaged freight with the carrier at the time of delivery. Catford Hydraulics Pty Ltd recommends counting and inspection of all product by the receiver at the time of delivery.

Special Order Options:

Please contact us for pricing on any special order/size cylinders.

Seal Kits:

Available for all Catford Hydraulic Yellow Line Industrial Cylinders.

Delivery:

Catford Hydraulics Pty Ltd will not be held responsible for any delays arising from any individual disputes or causes outside its control.

Returns:

Return of product will not be accepted unless Catford Hydraulics Pty Ltd has received a substantiated written claim within 14 days of the date of delivery. Prior approval must be given by Catford Hydraulics Pty Ltd before returning products. Any returned product must be accompanied by appropriate documentation which stipulates the original invoice number.

Re-Stocking:

A 15% re-stocking fee is charged on all returns.

General:

Catford Hydraulics Pty Ltd is continually improving our range of products and therefore reserves the right to change design or specifications without notice. As an imported product we reserve the right to change prices without notice.

Warranty:

Catford Hydraulics Pty Ltd warrants its products to be free of defects in materials or workmanship. The warranty shall be in effect for twelve (12) months from the original invoice date (date of purchase). As a condition of this warranty the purchaser shall notify Catford Hydraulics Pty Ltd in writing of any claimed defect immediately upon discovery and shall return the item for inspection. Unless otherwise specified by Catford Hydraulics Pty Ltd in writing, the warranty is limited to the replacement or repair of the product and excludes cartage charges to or from Catford Hydraulics Pty Ltd. The warranty also excludes Catford Hydraulics Pty Ltd from liability for labour, travelling and similar incurred expenses in the disassembly or re-installation etc. of the product. Catford Hydraulics Pty Ltd accepts no liability for faults arising from the improper use, or faulty maintenance of the product, its incorrect installation, its improper operation beyond recommended specifications or contingent or consequential loss or damage under any situation whatsoever. All unauthorised modifications to the product by the purchaser automatically voids the conditions of this warranty. Any products or parts replaced under warranty will be supplied on the same conditions and with the same warranty. If all or part of a product is repaired, the product or part of it will be supplied on the same terms and conditions as the original product or part, commencing on the date of invoice of the repaired product or part as the original product. Catford Hydraulics Pty Ltd will be under no liability to the customer for any damage or losses, either direct or indirect, resulting from defects in design, materials or workmanship. Catford Hydraulics Pty Ltd accepts no liability for defects caused by the customer's installation of the product. Catford Hydraulics Pty Ltd reserves the right to decline any warranty claim where a product has been modified or repaired, or not been used, stored or maintained as recommended by Catford Hydraulics Pty Ltd. Catford Hydraulics Pty Ltd reserves the right to reject any claim whereby the customer has failed to observe the terms of payment for the products or any other obligation imposed by our terms and conditions.

Terms & Conditions:

Please refer to our website www.catfordhydraulics.com.au



Email sales@catford.com.au
Mobile 0418 641 566
Web www.catfordhydraulics.com.au
ABN 27 167 993 179



Email sales@catford.com.au
Mobile 0418 641 566
Web www.catfordhydraulics.com.au
ABN 27 167 993 179



Email sales@catford.com.au
Mobile 0418 641 566
Web www.catfordhydraulics.com.au
ABN 27 167 993 179