

VICKERS & STEED PISTON & VANE PUMPS



Make	Model	Page
Eaton Vickers	420 Series Piston Pumps	114
Steed	PV Series Piston Pumps	115
Eaton Vickers	V10 Vane Pumps	116
Eaton Vickers	V20 Vane Pumps	117
Eaton Vickers	VQ Vane Pumps	118
Eaton Vickers	Foot Brackets	119

VICKERS & STEED PISTON & VANE PUMPS



420 Series Piston Pumps

Part Number	Displacement (cc/rev)	Mount	Shaft Type	Rotation	Min Speed (rpm)	Max Speed (rpm)	Control Type	Port Position	Rear Mount & Output shaft	Special Control features	Price (Ex. GST)
421AK00561B	41	2 Bolt B	16/32 13 T	Left (CCW)	600	3600	Pressure Flow Comp with LS port	Rear	No auxiliary mounting		\$2,926.00
421AK00562B	41	2 Bolt B	7/8" Keyed	Right (CW)	600	3600	Pressure Flow Comp with LS port	Rear	No auxiliary mounting		\$2,926.00
421AK00563B	41	2 Bolt B	16/32 13 T	Right (CW)	600	3600	Pressure Flow Comp with LS port	Side	No auxiliary mounting		\$2,926.00
421AK00552B	62	2 Bolt B	7/8" Keyed	Right (CW)	600	3600	Pressure Flow Comp with LS port	Side	No auxiliary mounting		\$3,795.00
421AK00553B	62	2 Bolt B	16/32 13 T	Right (CW)	600	3600	Pressure Flow Comp with LS port	Side	No auxiliary mounting		\$3,795.00
421AK00142B	62	2 Bolt B	1" Keyed	Right (CW)	600	3600	Pressure Flow Comp with LS port	Side	Dual SAE A 2 Bolt, 9T 16/32		\$4,113.00
421AK00171B	62	2 Bolt B	1" Keyed	Left (CCW)	600	3600	Pressure Flow Comp with LS port	Side	SAE B 2 Bolt, 13T 16/32		\$4,113.00
421AK00481B	62	2/4 Bolt C	1.25" Keyed	Right (CW)	600	3600	Pressure Flow Comp with LS port	Side	No auxiliary mounting		\$4,255.00
421AK00483B	62	2/4 Bolt C	1.25" Keyed	Right (CW)	600	3600	Pressure Flow Comp with LS port	Side	No auxiliary mounting	Bleed Down Orifice	\$4,255.00
421AK00487B	62	2/4 Bolt C	12/24 14T	Right (CW)	600	3600	Pressure Flow Comp with LS port	Side	No auxiliary mounting		\$4,255.00
421AK00501B	62	2/4 Bolt C	12/24 14T	Left (CCW)	600	3600	Pressure Flow Comp with LS port	Side	SAE A 2 Bolt, 9T 16/32		\$4,568.00
421AK00529B	62	2/4 Bolt C	1.25" Keyed	Right (CW)	600	3600	Pressure Flow Comp with LS port	Side	SAE B 2 Bolt, 13T 16/32		\$4,568.00
421AK00531B	62	2/4 Bolt C	1.25" Keyed	Right (CW)	600	3600	Pressure Flow Comp with LS port	Side	SAE B 2 Bolt, 13T 16/32	Bleed Down Orifice	\$4,568.00
421AK00492C	80	2/4 Bolt C	1.25" Keyed	Right (CW)	600	3600	Pressure Flow Comp with LS port	Side	No auxiliary mounting		\$4,811.00
421AK00494B	80	2/4 Bolt C	12/24 14T	Right (CW)	600	3600	Pressure Flow Comp with LS port	Side	No auxiliary mounting		\$4,811.00

Spares

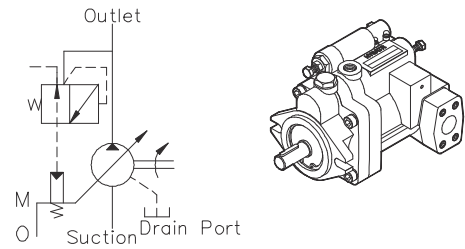
Part Number	Description	Price (Ex. GST)
9900633-000	Seal Kit Standard	\$140.00
9900634-000	Seal Kit Viton	\$84.00
4998834-001	Shaft Seal Viton SAEC	\$48.00
9900194-008	Bearing Shim Kit	\$62.00

VICKERS & STEED PISTON & VANE PUMPS



PV Series Piston Pumps

Ordering Code



PV	36	A	3	R	S	F	2090
Series No.	Displacement cc/rev (in ³ /rev)	Control Types	Pressure Compensating Range	Rotation	Port Position	Mounting	Design No. Shaft Option Flange Option
PV: Variable Volume Piston Pump	8: 8 cc/rev, 16: 16 cc/rev, 22: 22 cc/rev, 36: 36 cc/rev, 46: 46 cc/rev,	A: Pressure Compensating (Manual) B: Pressure Compensating Type Pilot (Remote Control) HL: Load Sensing Compensator	0: 10-35 bar (143-500 psi) 1: 20-70 bar (286-1000 psi) 2: 30-140 bar (429-2000 psi) 3: 30-210 bar (429-3000 psi)	R: Clockwise (CW) L: Counter- Clockwise (CCW) Viewed from Shaft End	S: Side Port Viewed from Shaft End	F: Flange Mounge	Design No.
							2090: PF(G) Flange Kits, Straight Key ←

Part Number	Displacement cc/rev (in ³ /rev)	Mount	Shaft Type	Drive Speed (rpm)		Weight (kg)	Price (Ex. GST)
				min	max		
PV-8-A-3RSF-2090	8	SAE-A 2 bolt	3/4" Straight Keyed	500	2000	7.5	\$1,202.00
PV-8-B-3RSF-2090	8	SAE-A 2 bolt	3/4" Straight Keyed	500	2000	7.5	\$1,382.00
PV-8-HL-3RSF-2090	8	SAE-A 2 bolt	3/4" Straight Keyed	500	2000	7.5	\$1,583.00
PV-16-A-3RSF-2090	16	SAE-A 2 bolt	3/4" Straight Keyed	500	2000	10.5	\$1,380.00
PV-16-B-3RSF-2090	16	SAE-A 2 bolt	3/4" Straight Keyed	500	2000	10.5	\$1,489.00
PV-16-HL-3RSF-2090	16	SAE-A 2 bolt	3/4" Straight Keyed	500	2000	10.5	\$1,684.00
PV-22-A-3RSF-2090	22	SAE-A 2 bolt	3/4" Straight Keyed	500	2000	10.5	\$1,512.00
PV-22-B-3RSF-2090	22	SAE-A 2 bolt	3/4" Straight Keyed	500	2000	10.5	\$1,618.00
PV-22-HL-3RSF-2090	22	SAE-A 2 bolt	3/4" Straight Keyed	500	2000	10.5	\$1,816.00
PV-36-A-3RSF-2090	36	SAE-B 2 bolt	7/8" Straight Keyed	500	2000	23	\$2,363.00
PV-36-B-3RSF-2090	36	SAE-B 2 bolt	7/8" Straight Keyed	500	2000	23	\$2,470.00
PV-36-HL-3RSF-2090	36	SAE-B 2 bolt	7/8" Straight Keyed	500	2000	23	\$2,671.00
PV-46-A-3RSF-2090	46	SAE-B 2 bolt	7/8" Straight Keyed	500	2000	23	\$2,622.00
PV-46-B-3RSF-2090	46	SAE-B 2 bolt	7/8" Straight Keyed	500	2000	23	\$2,744.00
PV-46-HL-3RSF-2090	46	SAE-B 2 bolt	7/8" Straight Keyed	500	2000	23	\$3,512.00

VICKERS & STEED PISTON & VANE PUMPS



V10 Vane Pumps

Model	Part Number	Displacement cc/rev (Cu.in/rev)	Shaft Type	Maximum Speed (rpm)	Maximum Pressure bar (psi)	Mounting	Weight (kg)	Price (Ex. GST)
V10-1S1S-1C-20	386496-3	3.3 (0.2)	3/4" Straight Keyed	4800	175 (2500)	SAE-A 2 Bolt	3.6	\$1,192.00
V10-1S2S-1C-20	382063-3	6.5 (0.4)	3/4" Straight Keyed	4500	175 (2500)	SAE-A 2 Bolt	3.6	\$1,192.00
V10-1S3S-11C-20L	382069-7	9.8 (0.6)	Splined SAE-A 9 T	4000	175 (2500)	SAE-A 2 Bolt	3.6	\$1,192.00
V10-1S3S-1C-20	382067-3	13.1 (0.8)	3/4" Straight Keyed	4000	175 (2500)	SAE-A 2 Bolt	3.6	\$1,192.00
V10-1S3S-38C-20	502495-3	13.1 (0.8)	Splined 11T	4000	175 (2500)	SAE-A 2 Bolt	3.6	\$1,192.00
V10-1S4S-1C-20	382071-3	13.1 (0.8)	3/4" Straight Keyed	3400	175 (2500)	SAE-A 2 Bolt	3.6	\$1,192.00
V10-1S5S-1C-20	382074-3	16.4 (1.0)	3/4" Straight Keyed	3200	175 (2500)	SAE-A 2 Bolt	3.6	\$1,192.00
V10-1S6S-1C-20	387500-3	19.5 (1.19)	3/4" Straight Keyed	3000	155(2220)	SAE-A 2 Bolt	3.6	\$1,192.00
V10-1S7S-1C-20	382095-3	22.8 (1.39)	3/4" Straight Keyed	2800	140 (2000)	SAE-A 2 Bolt	3.6	\$1,192.00
V10-1S7S-11C-20	358857-3	22.8 (1.39)	Splined SAE-A 9 T	2800	140 (2000)	SAE-A 2 Bolt	3.6	\$1,192.00
V10F-1S2T-1C-2G-20	426650-3	6.5 (0.4)	3/4" Straight Keyed	4500	175 (2500)	SAE-A 2 Bolt	3.6	\$1,546.00
V10F-1S3T-1C-2G-20	502814-3	9.8 (0.6)	3/4" Straight Keyed	4000	175 (2500)	SAE-A 2 Bolt	3.6	\$1,546.00
V10F-1S4T-1C-2G-20	430562-3	13.1 (0.8)	3/4" Straight Keyed	3400	175 (2500)	SAE-A 2 Bolt	3.6	\$1,546.00
V10F-1S5T-1C-2F-20	02-142719-3	16.4 (1.0)	3/4" Straight Keyed	3200	175 (2500)	SAE-A 2 Bolt	3.6	\$1,546.00
V10F-1S5T-1C-4K-20	882965-3	16.4 (1.0)	3/4" Straight Keyed	3200	175 (2500)	SAE-A 2 Bolt	3.6	\$1,546.00
V10F-1S5T-3C-4H-20	875848-3	16.4 (1.0)	Tapered	3200	175 (2500)	SAE-A 2 Bolt	3.6	\$1,546.00
V10F-1S6T-1C-3D-12	02-143610-3	19.5 (1.19)	3/4" Straight Keyed	3000	155 (2220)	SAE-A 2 Bolt	3.6	\$1,546.00
V10F-1S6T-38C-6E-20	875849-3	19.5 (1.19)	Splined 11T	3000	155 (2220)	SAE-A 2 Bolt	3.6	\$1,546.00
V10F-1S7T-38C-5F-20	02-314884-3	22.8 (1.39)	Splined 11T	2800	140 (2000)	SAE-A 2 Bolt	3.6	\$1,546.00
V10F-1S7T-38C-6G-20	452335-3	22.8 (1.39)	Splined 11T	2800	140 (2000)	SAE-A 2 Bolt	3.6	\$1,546.00

Cartridge Kit - (12 Vanes)

Models	Size	Part Number	Price (Ex. GST)
V10 V10F V10P	-1	923471	\$805.00
	-2	02-341775	\$805.00
	-3	923496	\$805.00
	-4	923469	\$805.00
	-5	923468	\$805.00
	-6	923497	\$805.00
	-7	923498	\$805.00

Shafts

Seal Kit Type	Part Number	Shaft Type	Price (Ex. GST)
V10-****-1	374338	Straight	\$313.00
V10-****-3	374340	Threaded	\$321.00
V10-****-11	374339	Splined 9T	\$321.00
V10-****-12	375480	Splined 13T	\$362.00
V10-****-38	387481	Splined 11T	\$321.00

Seal Kits

Seal Kits Type	Part Number	Price (Ex. GST)
Standard V10	923548	\$67.00
F3 Equivalent	919772	\$222.00

VICKERS & STEED PISTON & VANE PUMPS



V20 Vane Pumps

	Model Code	Part Number	Displacement cc/rev (Cu.in/rev)	Shaft Type	Maximum Speed (rpm)	Maximum Pressure bar (psi)	Mounting	Weight (kg)	Price (Ex. GST)
Standard	V20-1S6S-1C-11	372585-3	19.5 (1.19)	3/4" Straight Keyed	3400	175 (2500)	SAE-A 2 Bolt	5	\$1,557.00
	V20-1S8S-1C-11	372564-3	26.5 (1.62)	3/4" Straight Keyed	2800	175 (2500)	SAE-A 2 Bolt	5	\$1,557.00
	V20-1S9S-1C-11	372586-3	29.6 (1.81)	3/4" Straight Keyed	2800	175 (2500)	SAE-A 2 Bolt	5	\$1,557.00
	V20-1S9S-62C-11	02-102257-3	29.6 (1.81)	Splined SAE-A 9T	2800	175 (2500)	SAE-A 2 Bolt	5	\$1,557.00
	V20-1S11S-1C-11	358358-3	36.4 (2.22)	3/4" Straight Keyed	2500	175 (2500)	SAE-A 2 Bolt	5	\$1,557.00
	V20-1S13S-1C-11	372561-3	42.4 (2.59)	3/4" Straight Keyed	2400	155 (2200)	SAE-A 2 Bolt	5	\$1,557.00
Integral flow control valve	V20F-4P9P-1C-6G-22	02-142345-3	29.6 (1.81)	3/4" Straight Keyed	2800	175 (2500)	SAE-A 2 Bolt	5	\$2,135.00
	V20F-1S8S-38B-5J-22L	02-318882-6	26.6 (1.62)	Splined 11 Tooth	2800	175 (2500)	SAE-A 2 Bolt	5	\$1,980.00
	V20F-1P9P-38C-6G-22	02-142126-3	29.6 (1.81)	Splined 11 Tooth	2800	175 (2500)	SAE-A 2 Bolt	5	\$1,980.00
	V20F-1S9S-38B-6K-22	02-306047-2	29.6 (1.81)	Splined 11 Tooth	2800	175 (2500)	SAE-A 2 Bolt	5	\$1,980.00
	V20F-1S9S-38D-5K-22	02-466667-4	29.6 (1.81)	Splined 11 Tooth	2800	175 (2500)	SAE-A 2 Bolt	5	\$1,980.00
	V20F-1P11P-38C-6F-22	02-141803-3	36.4 (2.22)	Splined 11 Tooth	2500	175 (2500)	SAE-A 2 Bolt	5	\$1,980.00
	V20F-1S11S-38C-5J-22	02-318881-3	36.4 (2.22)	Splined 11 Tooth	2500	175 (2500)	SAE-A 2 Bolt	5	\$1,980.00
	V20F-1913P-3C-10F-22	02-141835-3	42.4 (2.59)	Tapered	2400	155 (2200)	SAE-A 2 Bolt	5	\$1,980.00

Cartridge Kit - (12 Vanes)

Models	Size	Part Number	Price (Ex. GST)
V20 V20F V20P	-6	02-137560	\$1,051.00
	-7	02-137561	\$1,051.00
	-8	02-137562	\$1,051.00
	-9	02-137563	\$1,051.00
	-11	02-137565	\$1,051.00
	-12	02-137566	\$1,051.00
	-13	02-137567	\$1,051.00

Seal Kits

Seal Kit type	Design code	Part Number	Price (Ex. GST)
Standard V20	-11	922733	\$68.00
F3-V20	-11	919805	\$222.00
V20F	-22	02-137557	\$219.00
V20P	-12	922733	\$68.00
F3-V20P	-12	919805	\$222.00

Shaft

Seal Kit type	Part Number	Shaft Type	Price (Ex. GST)
V20*-****-1	280372	Straight	\$619.00
V20*-****-3	280504	Threaded	\$631.00
V20*-****-6	297330	Splined	\$745.00
V20*-****-11	280515	Splined 11T	\$631.00
V20*-****-15	294922	Splined 13T	\$450.00
V20*-****-38	328096	Splined 11T - 3/4	\$631.00
V20*-****-62	582610	Splined 9T	\$808.00

VICKERS & STEED PISTON & VANE PUMPS



VQ Intra-vane Pumps

Model Code	Part Number	Displacement cc/rev (Cu.in./rev)	Shaft Type	Maximum Speed (rpm)	Maximum pressure bar (psi)	Mounting	Weight (kg)	Price (Ex. GST)
20VQ5A-1C30	981306-3	18.0 (1.10)	7/8" Keyed	2700	210 (3000)	SAE-B 2 Bolt	11.8	\$1,860.00
20VQ8A-1C30	497140-3	27.4 (1.67)	7/8" Keyed	2700	210 (3000)	SAE-B 2 Bolt	11.8	\$1,860.00
20VQ11A-1C30	981309-3	36.4 (2.22)	7/8" Keyed	2700	210 (3000)	SAE-B 2 Bolt	11.8	\$1,860.00
20VQ12A-1C30	497141-3	39.5 (2.41)	7/8" Keyed	2700	160 (2300)	SAE-B 2 Bolt	11.8	\$1,860.00
20VQ14A-151C30	876384-3	45.9 (2.80)	Splined SAE-B 13 T	2700	140 (2000)	SAE-B 2 Bolt	11.8	\$1,860.00
20VQ14A-1C-30	981310-3	45.9 (2.80)	7/8" Keyed	2700	140 (2000)	SAE-B 2 Bolt	11.8	\$1,860.00
25VQ12A-1C20	417994-3	40.2 (2.45)	7/8" Keyed	2700	210 (3000)	SAE-B 2 Bolt	14.5	\$2,025.00
25VQ14A-1C20	417993-3	45.4 (2.77)	7/8" Keyed	2700	210 (3000)	SAE-B 2 Bolt	14.5	\$2,025.00
25VQ17A-11C20	421475-3	55.2 (3.37)	Splined SAE-B 13 T	2500	210 (3000)	SAE-B 2 Bolt	14.5	\$2,025.00
25VQ17A-1C20	417992-3	55.2 (3.37)	7/8" Keyed	2500	210 (3000)	SAE-B 2 Bolt	14.5	\$2,025.00
25VQ21A-11C20	421477-3	67.5 (4.12)	Splined SAE-B 13T	2500	210 (3000)	SAE-B 2 Bolt	14.5	\$2,025.00
25VQ21A-1C20	416457-3	67.5 (4.12)	1-1/4" Keyed	2500	210 (3000)	SAE-C 2 Bolt	22.7	\$2,025.00
35VQ25A-1C20	421527-3	81.6 (4.98)	1-1/4" Keyed	2500	210 (3000)	SAE-C 2 Bolt	22.7	\$2,515.00
35VQ30A-1C20	421555-3	97.7 (5.96)	1-1/4" Keyed	2500	210 (3000)	SAE-C 2 Bolt	22.7	\$2,515.00
35VQ35A-1C20	421528-3	112.8 (6.88)	1-1/4" Keyed	2400	210 (3000)	SAE-C 2 Bolt	22.7	\$2,515.00
35VQ38A-1C20	421529-3	121.6 (7.42)	1-1/4" Keyed	2400	210 (3000)	SAE-C 2 Bolt	22.7	\$2,515.00
45VQ42A-1C20	432647-3	138.7 (8.46)	1-1/4" Keyed	2200	175 (2500)	SAE-C 2 Bolt	34.1	\$4,230.00
45VQ50A-1C20	421966-3	162.3 (9.90)	1-1/4" Keyed	2200	175 (2500)	SAE-C 2 Bolt	34.1	\$4,230.00
45VQ60A-1C20	421967-3	193.4 (11.80)	1-1/4" Keyed	2200	175 (2500)	SAE-C 2 Bolt	34.1	\$4,230.00

20VQ Cartridge Kit - (10 Vanes)

Models	Size	Part Number	Price (Ex. GST)
20VQ	-5	497115	\$1,015.00
	-8	497118	\$1,015.00
	-11	497120	\$1,015.00
	-12	497121	\$1,015.00
	-14	497122	\$1,015.00

35VQ/36VQ Cartridge Kit - (10 Vanes)

Models	Size	Part Number	Price (Ex. GST)
35VQ	-25	413421	\$1,725.00
	-30	413422	\$1,725.00
	-35	413415	\$1,725.00
	-38	413419	\$1,725.00

25VQ/26VQ Cartridge Kit - (10 Vanes)

Models	Size	Part Number	Price (Ex. GST)
25VQ	-12	416439	\$1,210.00
	-14	416440	\$1,210.00
	-17	416441	\$1,210.00
	-19	421232	\$1,210.00
	-21	416442	\$1,210.00

45VQ Cartridge Kit - (10 Vanes)

Models	Size	Part Number	Price (Ex. GST)
20VQ	-42	416435	\$2,599.00
	-50	416436	\$2,599.00
	-60	416437	\$2,599.00

Seal Kits

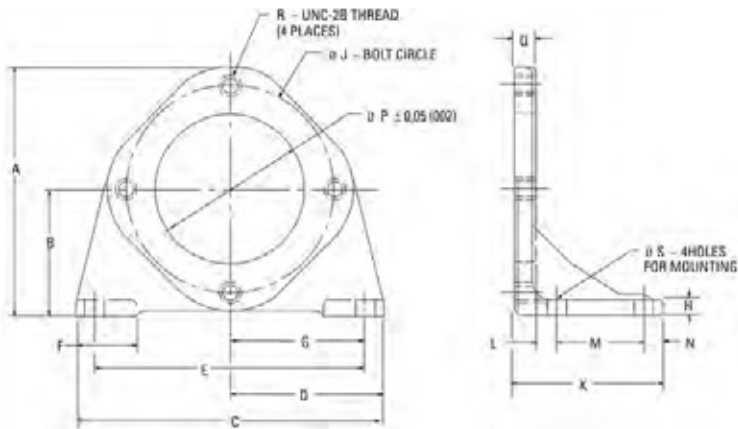
Seal Kit	Single Shaft Seal Kit	List Price	Double Shaft Seal Kit	Price (Ex. GST)
20VQ	497123	\$104.00	-	-
25VQ, 26VQ, 30VQ, 31VQ	920021	\$121.00	920022	\$171.00
F3-25VQ, 26VQ, 30VQ, 31VQ	920023	\$223.00	920024	\$151.00
35VQ, 36VQ	920015	\$295.00	920016	\$347.00
F3-35VQ, 36VQ	900029	\$562.00	920030	\$775.00
45VQ	920025	\$338.00	-	-
F3-45VQ	920027	\$641.00	920028	\$642.00

VICKERS & STEED PISTON & VANE PUMPS



Foot Brackets

Part Number	List Price	Model	Spigot Dia. mm (in)	SAE Standard
422582	\$207.00	FB-A-10	82.6 (3.5)	SAE-A 2 Bolt Mount
422583	\$326.00	FB-B-10	101.4 (4.0)	SAE-B 2 Bolt Mount
422584	\$460.00	FB-C-10	127.0 (5.0)	SAE-C 2 Bolt Mount



Dimensions - mm (in.)

Model	A	B	C	D	E	F	G	H	J	K	L	M	N	P	Q	R	S
FB-A-10	134,9 (5.31)	69,9 (2.75)	152,4 (6.00)	76,2 (3.00)	127,0 (5.00)	36,6 (1.44)	63,5 (2.50)	12,7 (.50)	106,4 (4.19)	96,0 (3.78)	15,0 (.59)	50,8 (2.00)	12,7 (.50)	82,6 (3.25)	17,5 (.69)	.38-16	11,2 (.44)
FB-B-10	180,8 (7.12)	92,2 (3.63)	171,5 (6.75)	85,8 (3.38)	146,0 (5.75)	36,6 (1.44)	73,2 (2.88)	12,7 (.50)	146,0 (5.75)	95,8 (3.77)	15,0 (.59)	50,8 (2.00)	12,7 (.50)	101,6 (4.00)	17,3 (.68)	.50-13	17,3 (.68)
FB-C-10	215,9 (8.50)	109,5 (4.31)	265,2 (10.44)	132,6 (5.22)	235,0 (9.25)	50,8 (2.00)	117,6 (4.63)	15,7 (.62)	181,1 (7.13)	131,6 (5.18)	19,1 (.75)	72,2 (3.00)	17,3 (.68)	127,0 (5.00)	19,1 (.75)	.62-11	17,3 (.68)