

CATFORD ENGINEERING PRODUCTS

Jamestown
SA 5491



Make	Model	Page
Nimco	CV110 Series	30
Nimco	CV400 Series	31
Nimco	SVB Series	32
THW	Ordering Codes	33
THW	GM08 Series	34
THW	GM10 Series	35
Husco	5000 Series	36
Husco	6000 Series	37
THW	Manual 6 Port Selectors	38
Hidros	Solenoid 6 Port Selectors	39

Charles:

Mobile 0418 641 566

Email sales@catford.com.au

Web www.catford.com.au

MOBILE DIRECTIONAL CONTROL VALVES



CV110

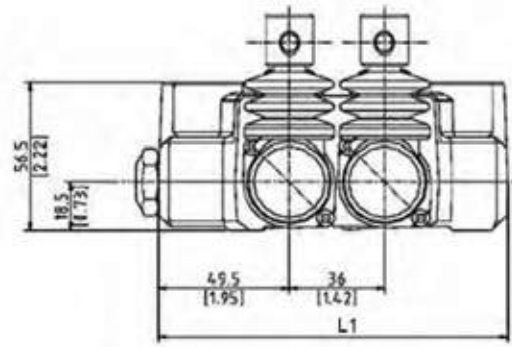
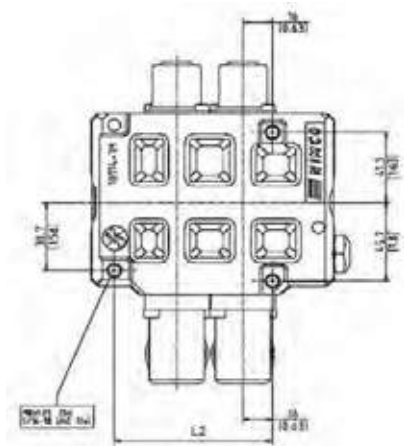
High Performance Monoblock Valves

Part Number	Spools	Max Flow (lpm)	Max Pressure (bar)	Ports				Weight (kg)	L1 (mm)	L2 (mm)	Price (Ex. GST)
				A	B	P	T				
CV111/1S-9S5	1	50	320	3/8" BSP	3/8" BSP	3/8" BSP	1/2" BSP	3.2	96	50	\$308.00
CV112/1S-9S5	2	50	320	3/8" BSP	3/8" BSP	3/8" BSP	1/2" BSP	6.6	132	86	\$462.00
CV113/1S-9S5	3	50	320	3/8" BSP	3/8" BSP	3/8" BSP	1/2" BSP	8.3	168	122	\$605.00
CV114/1S-9S5	4	50	320	3/8" BSP	3/8" BSP	3/8" BSP	1/2" BSP	10	204	158	\$772.00
CV115/1S-9S5	5	50	320	3/8" BSP	3/8" BSP	3/8" BSP	1/2" BSP	11.7	240	194	\$869.00

Note: Standard options include spring centred double acting spool

Features

- Load holding checks on each section
- Exceptionally low spool leakage
- Float spool options



Part Number	Description	Price (Ex. GST)
10347-4S	Lever Handle 175mm	\$23.00
10266-4S	Lever Box Assembly	\$23.00
11701-3S	Dual Lever Assembly	\$231.00
10515-4S	Cable Kit	\$57.00
11934-3S	3 Position Detent Kit	\$44.00
11935-3S	Detentin Position 2	\$44.00
11936-3S	Detentin Position 3	\$44.00
4S-1848	Pneumatic On/Off	\$162.00
610038	Closed Centre Plug	\$28.00
10534-4S	High Pressure Carry Over Plug	\$28.00
15081-3B	CV110 Double Acting Spool + Metering	\$228.00
10574-3B	CV110 Single Acting Spool - Port A	\$69.00
10309-3B	CV110 Double Acting Spool + Float	\$69.00
10308-3B	CV110 Double Acting Spool + Float and Metering	\$69.00
10576-3B	CV110 Motor Spool + Metering	\$69.00

MOBILE DIRECTIONAL CONTROL VALVES



CV400

High Performance Monoblock Valves

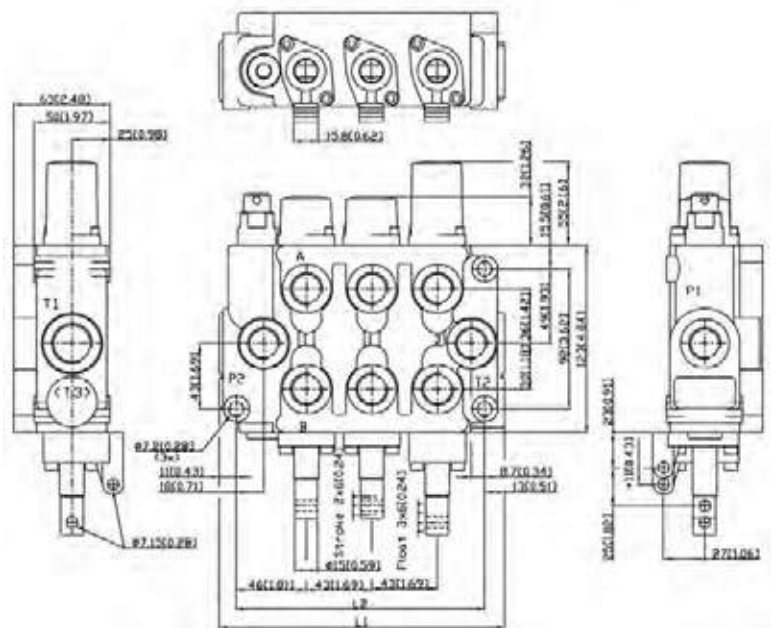


Part Number	Spools	Max Flow (lpm)	Max Pressure (bar)	Ports				Weight (kg)	L1 (mm)	L2 (mm)	Price (Ex. GST)
				A	B	P	T				
CV401/1S-9S5	1	80	320	1/2" BSP	1/2" BSP	1/2" BSP	3/4" BSP	4.4	101	77	\$336.00
CV402/1S-9S5	2	80	320	1/2" BSP	1/2" BSP	1/2" BSP	3/4" BSP	6.6	144	120	\$496.00
CV403/1S-9S5	3	80	320	1/2" BSP	1/2" BSP	1/2" BSP	3/4" BSP	8.7	187	163	\$649.00
CV404/1S-9S5	4	80	320	1/2" BSP	1/2" BSP	1/2" BSP	3/4" BSP	10.9	230	206	\$813.00

Note: Standard options include spring centred double acting spool

Features

- Exceptionally low spool leakage
- Float spool options



Part Number	Description	Price (Ex. GST)
10347-4S	Lever Handle	\$23.00
2S-40103	Lever Box Assembly	\$188.00
4S-5139	Cable Kit	\$57.00
4S-4136	3 Position Detent Kit	\$59.00
4S-4296	Detent in Position 2	\$82.00
4S-4297	Detent in Position 3	\$82.00
4S-4043	Pneumatic On/Off	\$174.00
610034-M	Closed Centre Plug	\$33.00
4S-4031	High Pressure Carry Over Plug	\$33.00
3B-4122	CV400 Single Acting Spool - Port B	\$83.00
3B-4061	CV400 Double Acting Spool - Float	\$88.00
3B-4035	CV400 Motor Spool	\$88.00

MOBILE DIRECTIONAL CONTROL VALVES



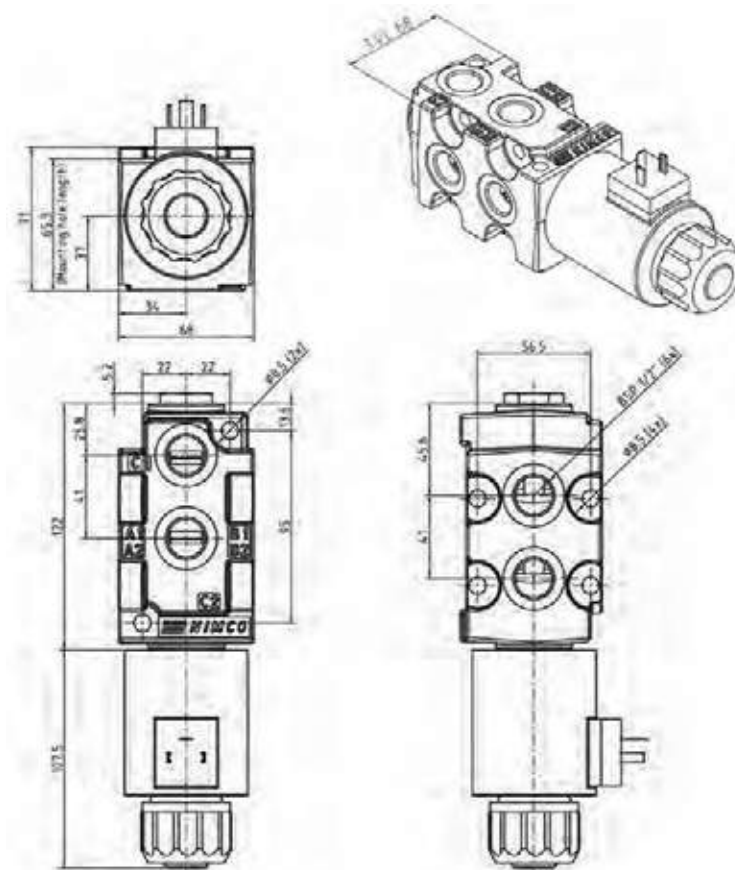
SVB

High Performance Solenoid Selector Valves

Part Number	Description	Coil Voltage	Nominal Flow (lpm)	Adjusted Range (bar)	Ports	Price (Ex. GST)
SVB-04-1/2-12V	6 Port Selector Valve	12VDC	90	80-250	1/2" BSP	\$519.00
SVB-04-1/2-24V	6 Port Selector Valve	24VDC	90	80-250	1/2" BSP	\$519.00

Spares

Part Number	Description	Coil Voltage	Price (Ex. GST)
4K-1503	Coil to Suit SVB Valve	12VDC	\$328.00
4K-1504	Coil to Suit SVB Valve	24VDC	\$328.00

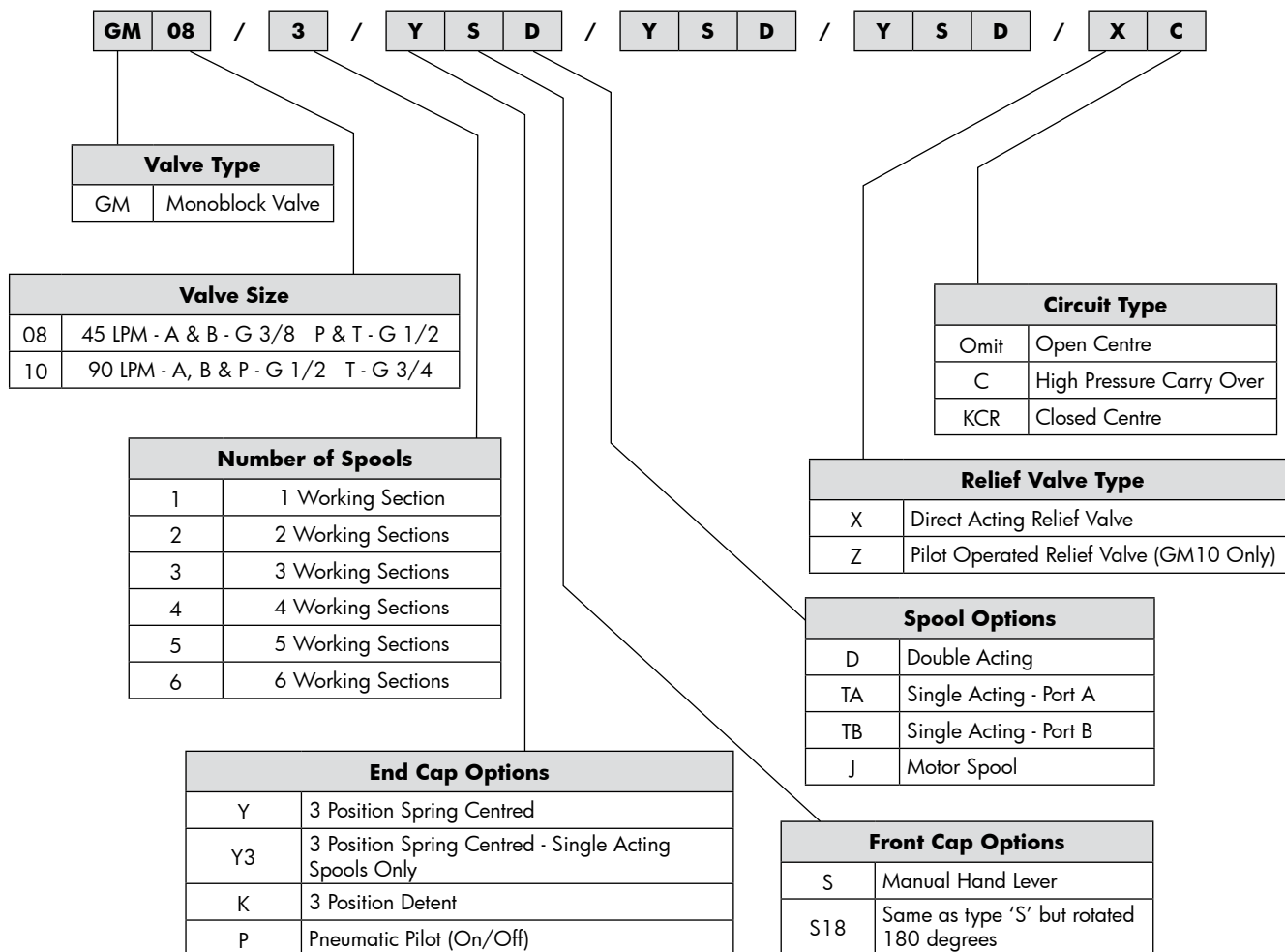


MOBILE DIRECTIONAL CONTROL VALVES

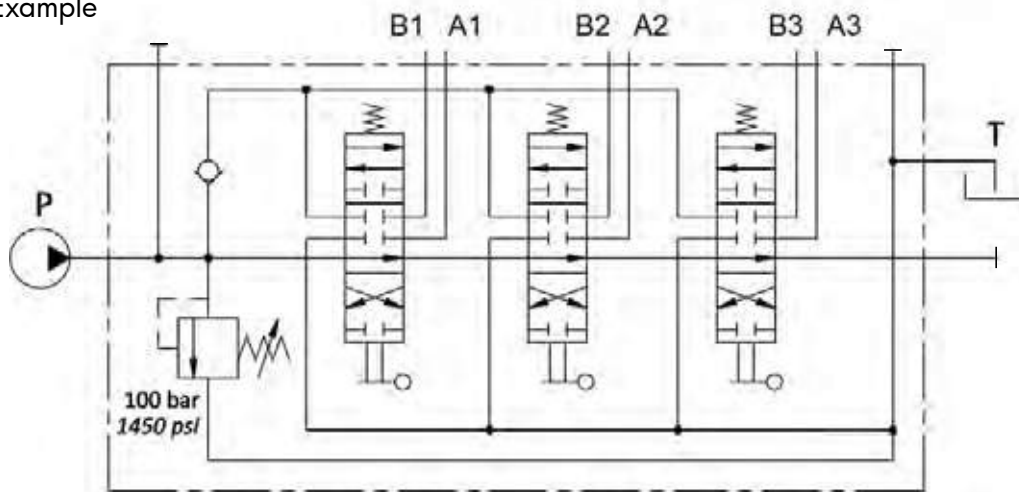


Ordering Guide - Build Code

Typical Example



Typical Circuit Example



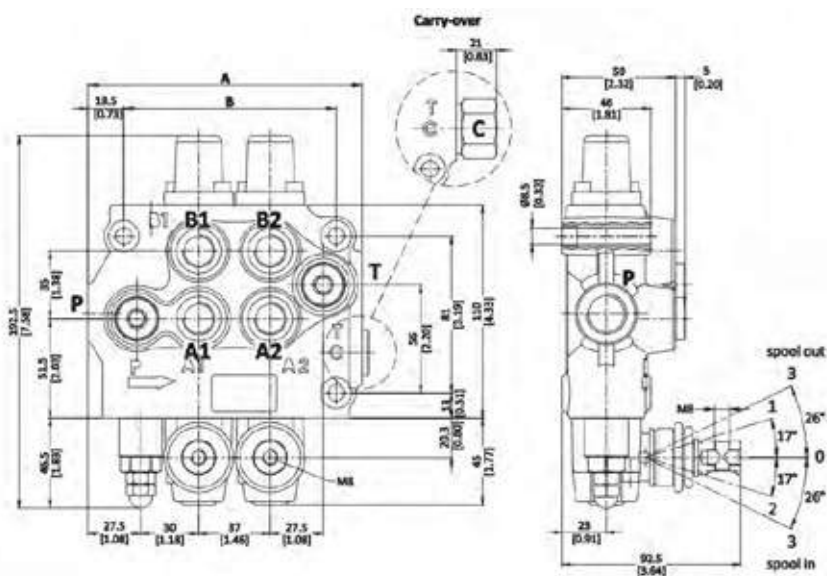
MOBILE DIRECTIONAL CONTROL VALVES



GM08

Standard Performance Monoblock Valves

Part Number	Spools	Max Flow (lpm)	Max Pressure (bar)	Ports				Weight (kg)	A (mm)	B (mm)	Price (Ex. GST)
				A	B	P	T				
GM08/1/YSD-X	1	45	350	3/8" BSP	3/8" BSP	1/2" BSP	1/2" BSP	3.1	104	73	\$221.00
GM08/2/YSD-X	2	45	350	3/8" BSP	3/8" BSP	1/2" BSP	1/2" BSP	4.4	141	110	\$315.00
GM08/3/YSD-X	3	45	350	3/8" BSP	3/8" BSP	1/2" BSP	1/2" BSP	5.7	178	147	\$417.00
GM08/4/YSD-X	4	45	350	3/8" BSP	3/8" BSP	1/2" BSP	1/2" BSP	7.2	215	184	\$553.00
GM08/5/YSD-X	5	45	350	3/8" BSP	3/8" BSP	1/2" BSP	1/2" BSP	8.7	252	221	\$686.00
GM08/6/YSD-X	6	45	350	3/8" BSP	3/8" BSP	1/2" BSP	1/2" BSP	10.2	289	258	\$838.00



Part Number	Description	Price (Ex. GST)
UBM 058	Double Acting Spool	\$38.00
UBM 058/J	Motor Spool	\$59.00
UBM 058/TA*	Single Acting Spool - Port A	\$59.00
UBM 058/TB*	Single Acting Spool - Port B	\$59.00
K08/K	3 Position Detent Kit	\$59.00
K08/YK1	Detent Position 1	\$65.00
K08/YK2	Detent Position 2	\$65.00
PNOKONT-08	Pneumatic On/Off Kit	\$103.00
KE08K01	Direct Acting Relief Valve	\$71.00
KK07X195	Lever Handle Only	\$8.00
YBM 10071	Lever Box Only	\$26.00
YBM 10073	End Cap	\$49.00
SM6X6MM KIT	Spring Centring Kit - Single Acting Spool	\$19.00
KCR08/10	High Pressure Carry Over Plug	\$22.00
KCR08/00	Closed Centre Plug	\$25.00

*Note: You need to order a SM6x6MM kit for every UBM 058/TA or UBM 058/TB spool you order.

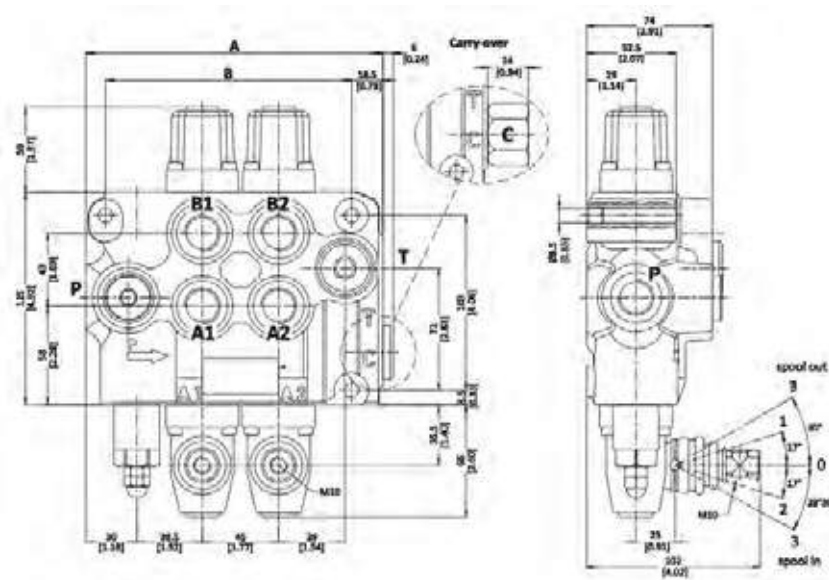
MOBILE DIRECTIONAL CONTROL VALVES



GM10

Standard Performance Monoblock Valves

Part Number	Spools	Max Flow (lpm)	Max Pressure (bar)	Ports				Weight (kg)	A (mm)	B (mm)	Price (Ex. GST)
				A	B	P	T				
GM10/1/YSD-X	1	90	350	1/2" BSP	1/2" BSP	1/2" BSP	3/4" BSP	5.8	130	100	\$332.00
GM10/2/YSD-X	2	90	350	1/2" BSP	1/2" BSP	1/2" BSP	3/4" BSP	8.3	175	145	\$430.00
GM10/3/YSD-X	3	90	350	1/2" BSP	1/2" BSP	1/2" BSP	3/4" BSP	10.9	220	190	\$595.00
GM10/4/YSD-X	4	90	350	1/2" BSP	1/2" BSP	1/2" BSP	3/4" BSP	13.4	265	235	\$761.00
GM10/5/YSD-X	5	90	350	1/2" BSP	1/2" BSP	1/2" BSP	3/4" BSP	16.5	310	280	\$939.00
GM10/6/YSD-X	6	90	350	1/2" BSP	1/2" BSP	1/2" BSP	3/4" BSP	19.2	355	325	\$1106.00



Part Number	Description	Price (Ex. GST)
UBM 059	Double Acting Spool	\$53.00
UBM 059/J	Motor Spool	\$76.00
UBM 059/TA*	Single Acting Spool - Port A	\$676.00
UBM 059/TB*	Single Acting Spool - Port B	\$76.00
K10/K	3 Position Detent Kit	\$80.00
K10/YK1	Detent Position 1	\$82.00
K10/YK2	Detent Position 2	\$82.00
PNOKONT-10	Pneumatic On/Off Kit	\$162.00
KE10K01	Direct Acting Relief Valve	\$83.00
KE10K02	Pilot-Operated Relief Valve	\$96.00
KK07X195	Lever Handle Only	\$8.00
YBM I0070	Lever Box Only	\$29.00
YBM I0072	End Cap	\$11.00
SM8X7MM KIT	Spring Centring Kit - Single Acting Spool	\$60.00
KCR16/10	High Pressure Carry Over Plug	\$32.00
KCR16/00	Closed Centre Plug	\$27.00
SK-GM08/1	Seal Kit	\$21.00

*Note: You need to order a SM8x7MM kit for every UBM 059/TA or UBM 059/TB spool you order.

MOBILE DIRECTIONAL CONTROL VALVES



5000 Series - 75 lpm Valve

Inlet Sections

Part Number	Side Inlet	Top Inlet	Side Outlet	Top Outlet	Aux Port (refer to table Auxiliary Options)	Price (Ex. GST)
5001-A35	SAE 10	-	-	-	No	\$219.00
5001-A59	-	SAE 10	-	SAE 10	Yes	\$223.00
5001-A88	SAE 12	SAE 10	SAE 12	SAE 10	Yes	\$225.00

Note: Inlet sections are not supplied with relief valve.

Working Sections

Description	Type	Part Number No Auxiliary Ports	List Price	Part Number With 2 x Auxiliary Ports	Part Number End Mechanism (refer to End Mechanism Options table)	Relation	Price (Ex. GST)
Cylinder Spool	Parrallel	5002-A1	\$277.00	5002-A269	B10-100	A	\$612.00
Float Spool	Parrallel	5002-A10	\$499.00	5002-A522	B10-100	A	\$657.00

Note: End Mechanism included on working section. Handles are not included.

Outlet Section / Turnaround

Part Number	Side Outlet	Side HPCO	Top Outlet	Top HPCO	Description	Aux Port (refer to table Auxiliary Options)	Price (Ex. GST)
5003-A1	-	-	-	-	Open Centre	No	\$164.00
5003-A3	SAE 12	-	-	-	Open Centre	No	\$241.00
5003-E5	-	SAE 12	-	-	Closed Centre	No	\$283.00
5003-A67	-	-	SAE 10	-	Universal	Yes	\$359.00
5003-A68	SAE 12	SAE 12	SAE 10	SAE 10	Universal	Yes	\$342.00

Note: Universal outlet sections can be open centre, closed centre or HPCO (High Pressure Carry Over) (power beyond).

Lever Assembly

Description	Handle S/A	List Price	Boot Seal	Price (Ex. GST)
Vertical	52250-1	\$179	51662	\$42.00
Horizontal	52250-12	\$179	52348	\$37.00
45 degree	52250-14	\$179	51662	\$42.00

Tie Rod Kit

Number of Working Sections	Part Number	Price (Ex. GST)
1	6131-1	\$79.00
2	6131-2	\$81.00
3	6131-3	\$86.00
4	6131-4	\$87.00
5	6131-5	\$99.00
6	6131-6	\$101.00
7	6131-7	\$119.00
8	6131-8	\$119.00
9	6131-9	\$119.00

End Mechanism Options

Description	Part Number	Relation	Price (Ex. GST)
Spring Centring Kit	B10-100	A	\$81.00
Detent Kit	B11-100	A	\$201.00
Float Spool Kit	B11-105	B	\$390.00
Hydraulic Pilot	B12-108	A	\$345.00

Seal Kit (1 per section)

Description	Part Number	Price (Ex. GST)
Seal Kit	SK5000	\$56.00

Auxiliary Options

Description	Part Number	Pressure Range	Price (Ex. GST)
Pilot Operated Relief Valve	5060-P	1500 - 3500 PSI	\$202.00
Direct Acting Relief Valve	52710-J	1500 - 3500 PSI	\$158.00
Auxiliary Plug	52610	-	\$28.00

MOBILE DIRECTIONAL CONTROL VALVES



6000 Series - 132 lpm Valve

Inlet Sections

Part Number	Side Inlet	Top Inlet	Side Outlet	Top Outlet	Aux Port (refer to table Auxiliary Options)	Price (Ex. GST)
6001-D100	-	SAE 12	-	SAE 16	Yes	\$574.00
6001-D102	SAE 16	SAE 12	SAE 16	SAE 16	Yes	\$594.00

Note: Inlet sections are not supplied with relief valve.

Working Sections

Description	Type	Part Number Without Auxiliary Ports	List Price	Part Number With 2 x Auxiliary Ports	Part Number		Price (Ex. GST)
					End Mechanism (refer to End Mechanism Options table)	Relation	
Cylinder Spool	Parallel	6002-J433	\$1,223.00	6002-J387	D10-200	A	\$1,076.00
Float Spool	Parallel	6002-J154	\$1,259.00	6002-J394	D10-200	A	\$1,288.00

Note: End Mechanism included on working section. Handles are not included.

Outlet Section / Turnaround

Part Number	Side Outlet	Side HPCO	Top Outlet	Top HPCO	Description	Aux Port (refer to table Auxiliary Options)	Price (Ex. GST)
6003-E2	SAE 16	-	-	-	Open Centre	No	\$343.00
6003-K3	-	SAE 16	-	-	Closed Centre	No	\$524.00

Note: Universal outlet sections can be open centre, closed centre or HPCO (High Pressure Carry Over) (power beyond).

Lever Assembly

Part Number	Price (Ex. GST)
6105-A	\$763.00

End Mechanism Options

Description	Part Number	Relation	Price (Ex. GST)
Spring Centring Kit	D10-200	A	\$361.00
Detent Kit	D11-100	A	\$654.00

Seal Kit (1 per section)

Description	Part Number	Price (Ex. GST)
Seal Kit	SK6000	\$59.00

Tie Rod Kit

Number of Working Sections	Part Number	Price (Ex. GST)
1	6246-41	\$113.00
2	6246-42	\$118.00
3	6246-43	\$122.00

Note: More Tie Rod Kits available on request.
(up to 9 working sections)

Auxiliary Options

Description	Part Number	Pressure Range	Price (Ex. GST)
Pilot Operated Relief Valve	51055-2	700 - 6000 PSI	\$296.00
Auxiliary Plug	52810	-	\$44.00



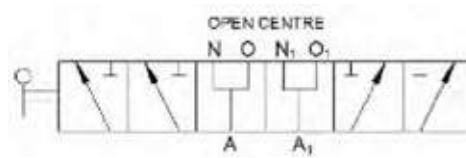
MOBILE DIRECTIONAL CONTROL VALVES



D6 1/2

6 Port Manual Selector Valve

Ports	Max Flow	Max Pressure	B (mm)	C (mm)	D (mm)	E (mm)	F (mm)	G (mm)	H (mm)	L (mm)	M (mm)	Weight (kg)	Type	Price (Ex. GST)
1/2" BSP	90LPM	350 Bar	80	32	8.5	36	86	24	124	115	161	2.3	Open Centre	\$180.00



MOBILE DIRECTIONAL CONTROL VALVES



Hidros Solenoid Selector Valves

DVS6 Series - 50 lpm

Part Number	Description	Coil Voltage	Nominal (lpm)	Max Pressure (bar)	Ports	Price (Ex. GST)
DVS6-L-12DC-G38-02	6 Port Selector Valve	12VDC	50	315	3/8" BSP	\$278.00
DVS6-L-24DC-G38-02	6 Port Selector Valve	24VDC	50	315	3/8" BSP	\$278.00

Spares

Part Number	Description	Coil Voltage	Price (Ex. GST)
DVS.COIL/12VDC	Coil to suit DVS6 Valve	12VDC	\$85.00
DVS.COIL/24VDC	Coil to suit DVS6 Valve	24VDC	\$85.00

SVV Series - 90 lpm

Part Number	Description	Coil Voltage	Nominal (lpm)	Max Pressure (bar)	Ports	Price (Ex. GST)
SVV-90-G-12V	6 Port Selector Valve	12VDC	90	280	1/2" BSP	\$372.00
SVV-90-G-24V	6 Port Selector Valve	24VDC	90	280	1/2" BSP	\$372.00

Spares

Part Number	Description	Coil Voltage	Price (Ex. GST)
SVV90.COIL/12VDC	Coil to Suit SVV90 Valve	12VDC	\$160.00
SVV90.COIL/24VDC	Coil to Suit SVV90 Valve	24VDC	\$160.00