

# CATFORD ENGINEERING PRODUCTS

**Jamestown  
SA 5491**



Make	Model	Page
MP Filtri	Level Gauges	164
Elesa	Sight Glasses	164
OMT	Filler Breathers	165, 167, 169
Elesa	Filler Breathers	165, 167, 170
MP Filtri	Filler Breathers	166, 168
OMT	Gauge Isolation Valves	171
THW	Pressure Gauges	172
Tognella	Gauge Adaptors	174
THW	DNB Series Pressure Switches	175

**Due to fluctuations in the Australian dollar and the economic climate, please be advised that all prices are subject to change.**

**Please contact us to confirm pricing.**

**Charles:**

**Mobile** 0418 641 566

**Email** sales@catford.com.au

**Web** www.catford.com.au

# ACCESSORIES



## Level Gauges

### Fluid Level Gauges

Part Number	Description	Dimensions				Price (Ex. GST)
		A (mm)	B	C (mm)	H (mm)	
LG3	76mm bolt centres	76	M10	10.5	114	\$36.00
LG5	127mm bolt centres	127	M12	12.5	165	\$41.00
LG10	254mm bolt centres	254	M12	12.5	292	\$67.00

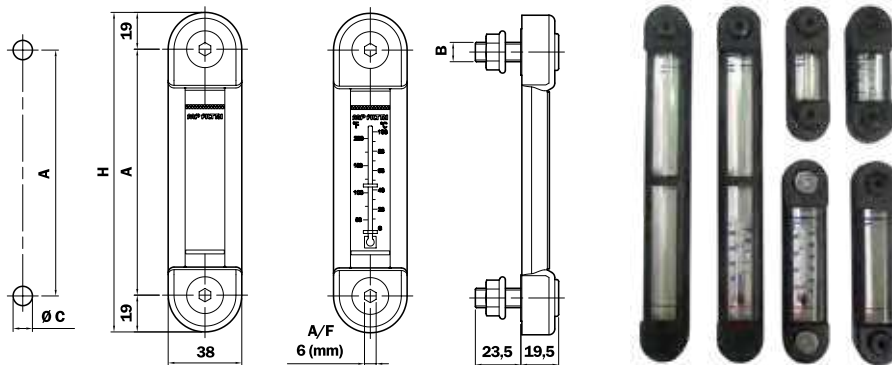
Screw tightening torque: 15Nm

### Fluid Level Gauges with Thermometers

Part Number	Description	Dimensions				Price (Ex. GST)
		A (mm)	B	C (mm)	H (mm)	
LG3T	76mm bolt centres	76	M10	10.5	114	\$32.00
LG5T	127mm bolt centres	127	M12	12.5	165	\$44.00
LG10T	254mm bolt centres	254	M12	12.5	292	\$75.00

Screw tightening torque: 15Nm

Reservoir holes

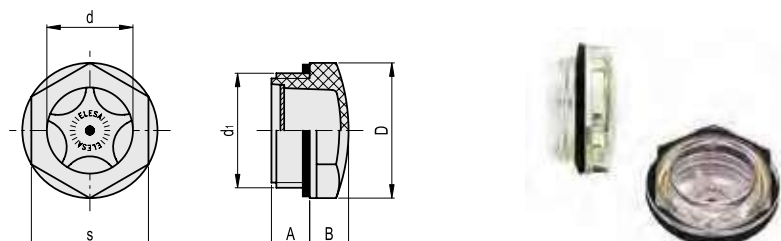


## Sight Glasses

### SG Series

Part Number	d1 (Thread)	A (mm)	B (mm)	D (mm)	d (mm)	s (mm)	Tightening torque (Nm)	Price (Ex. GST)
SG04	G1/4"	10	6	18	9	15	2-3	\$5.00
SG06	G3/8"	7.5	7	22	11	19	3-5	\$6.00
SG08	G1/2"	10.5	8	26	14	22	4-6	\$6.00
SG12	G3/4"	10.5	9	31.5	20	27	6-8	\$7.00
SG16	G1"	11	10	40	25	34	8-10	\$8.00
SG20	G1-1/4"	11.5	13	47.5	30	40.5	8-10	\$12.00

\*Note: Maximum continuous working temperature of 100°C.





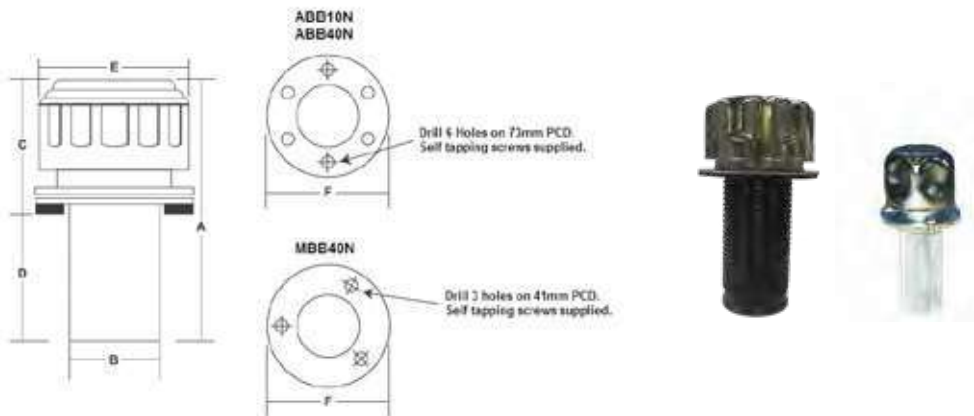
## Filler Breathers

Bayonet Style

ABB and MBB Series (Chrome Plated Steel Cap)

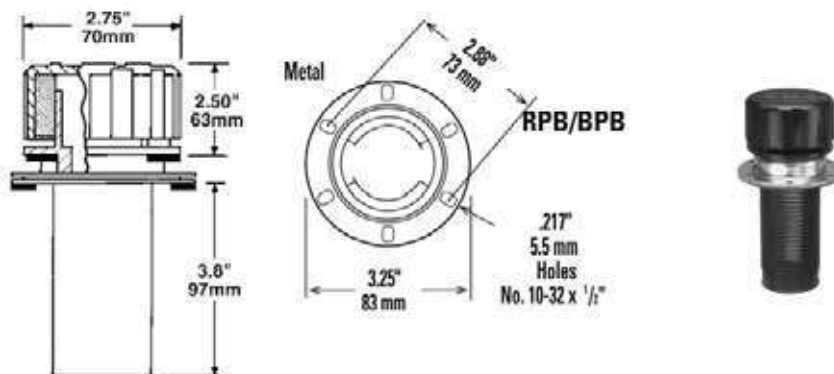
Part Number	Micron Rating	Airflow (m <sup>3</sup> /min)	PCD	Dimensions						Price (Ex. GST)
				A (mm)	B (mm)	C (mm)	D (mm)	E (mm)	F (mm)	
ABB10N	10	0.42	6 holes on 73mm	150	50	55	95	80	83	\$31.00
MBB10N	10	0.25	3 holes on 41mm	150	50	55	95	80	83	\$25.00
MBB40N	40	0.25	3 holes on 41mm	110	28	45	65	47	52	\$25.00

**DIMENSIONS:**



BPB Series with Anti-splash (Plastic – High Impact Techno Polymer)

Part Number	Micron Rating	Airflow (m <sup>3</sup> /min)	PCD	Price (Ex. GST)
BPB10NA	10	0.5	6 holes on 73mm PCD	\$51.00



# ACCESSORIES

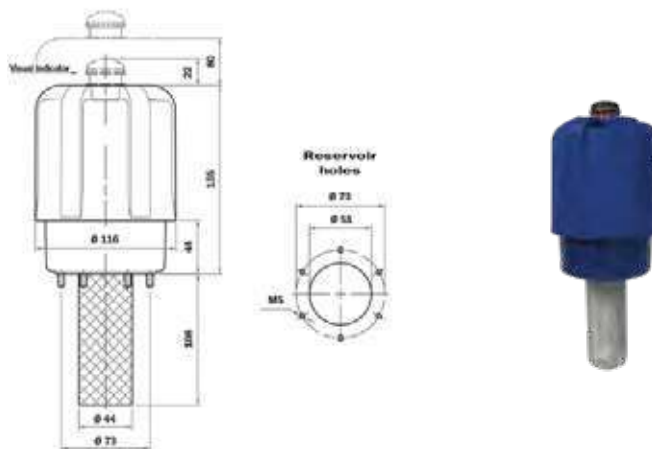


## Filler Breathers (continued)

Bayonet Style

TAP Series (Replaceable Element Type, Visual Indicator)

Part Number	Micron Rating	Airflow (m <sup>3</sup> /min)	PCD	Price (Ex. GST)
TAP1152FA03A1B	3	2.15	6 holes on 73mm PCD	\$147.00
A1152A03	3	3	-	\$37.00



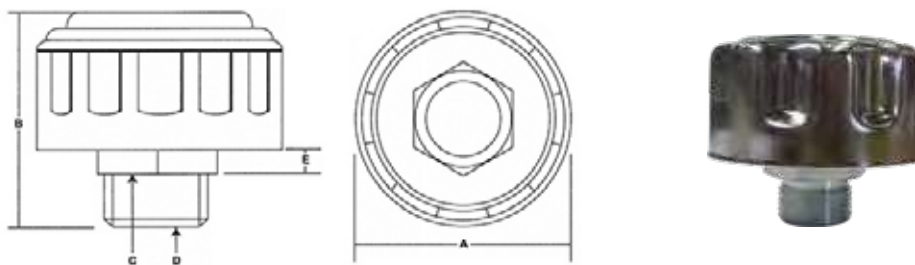


## Filler Breathers (continued)

Screw In Style

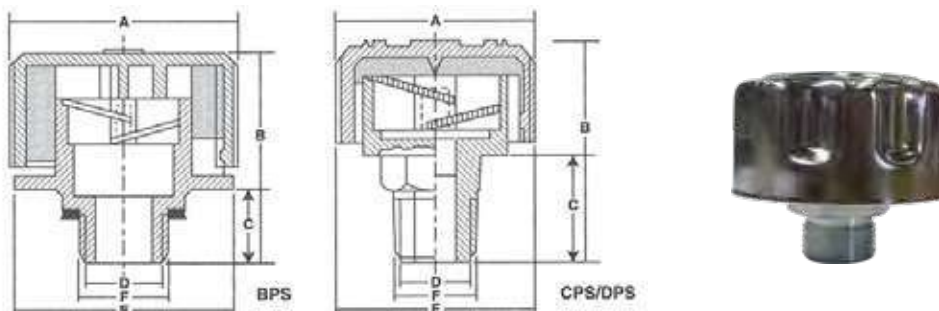
ABS and MBS Series (Chrome Plated Steel Cap)

Part Number	Micron Rating	Airflow (m <sup>3</sup> /min)	Cap Diameter (mm)	Dimensions					Price (Ex. GST)
				A (mm)	B (mm)	C (mm)	D (Thread)	E (mm)	
ABS10B	10	0.42	75	75	46	35	G3/4"	12	\$24.00
MBS40B	40	0.26	46	47	52	19	G1/4"	5	\$18.00



BPS, CPS, DPS Series

Part Number	Micron Rating	Airflow (m <sup>3</sup> /min)	Cap Diameter (mm)	Dimensions						Price (Ex. GST)
				A (mm)	B (mm)	C (mm)	D (mm)	E (mm)	F (Thread)	
BPS40B12A	40	0.95	70	70	63	21	16	68	G3/4"	\$23.00
CPS40B12A	40	0.4	57	57	48	13	16	39	G3/4"	\$16.00
DPS40B04A	40	0.12	42	42	37	18	8	30	G1/4"	\$11.00
DPS40B06A	40	0.2	42	42	37	18	10	30	G3/8"	\$13.00



# ACCESSORIES

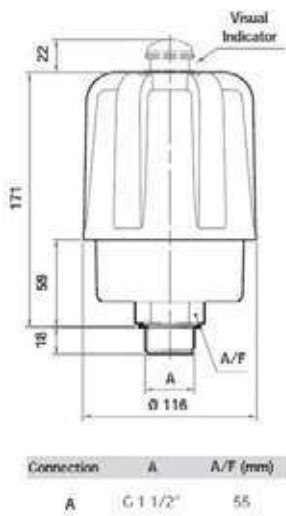


## Filler Breathers (continued)

Screw In Style

SAP 115 Series (replaceable Element Type, Visual Indicator)

Part Number	Micron Rating	Airflow (m <sup>3</sup> /min)	Thread	Cap Diameter (mm)	Price (Ex. GST)
SAP1152CA03A1B	3	3	G1-1/2"	116	\$147.00
A1152A03	3	3	-	-	\$37.00



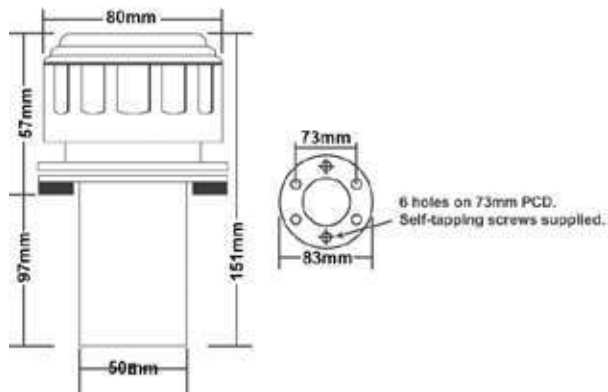


## Pressure Filler Breather Caps

Bayonet Style

PBB Series (Chrome Plated Steel Cap)

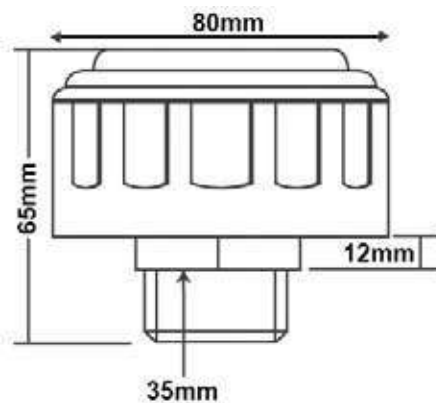
Part Number	Micron Rating	Airflow (m <sup>3</sup> /min)	PCD	Relief Valve Setting (psi)	Price (Ex. GST)
PBB-10-10N	10	0.42	6 holes on 73mm PCD	10	\$67.00
PBB10-5N	10	0.42	6 holes on 73mm PCD	5	\$67.00



Screw In Style

PBS Series (Chrome Plated Steel Cap)

Part Number	Micron Rating	Airflow (m <sup>3</sup> /min)	Thread	Relief Valve Setting (psi)	Price (Ex. GST)
PBS10B10	10	0.7	G3/4"	10	\$65.00



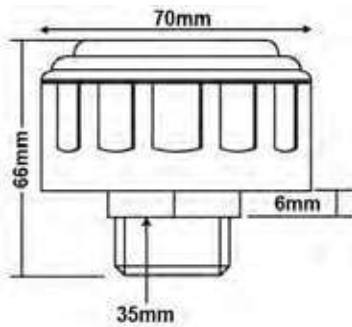
# ACCESSORIES



## Screw In Style

RPS Series (Plastic - High Impact Techno Polymer)

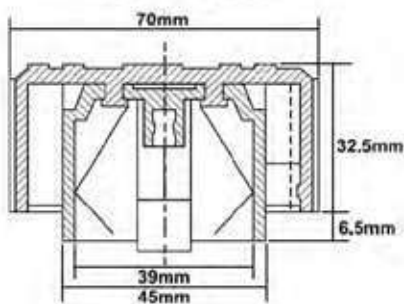
Part Number	Micron Rating	Airflow (m <sup>3</sup> /min)	Thread	Relief Valve Setting (psi)	Price (Ex. GST)
RPS10B5	10	0.7	G3/4"	5	\$67.00



## Push on Breathers

Plastic - High Impact Techno Polymer

Part Number	Micron Rating	Max. Temperature	Overall Diameter	Suits Tube Diameter	Price (Ex. GST)
AB040	40	120°C	70mm	1-1/2"	\$20.00



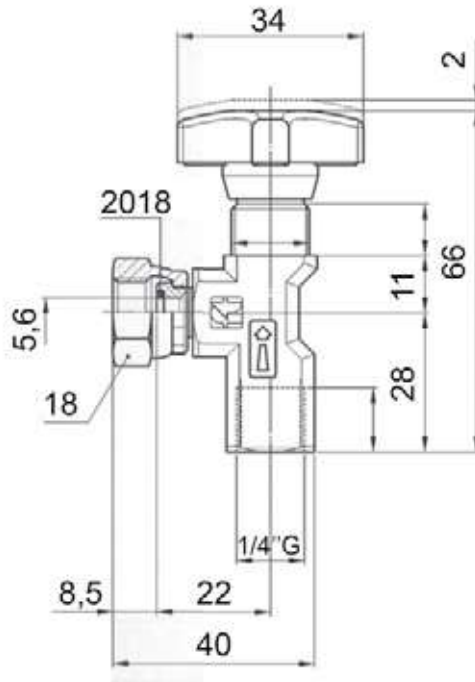




## Gauge Isolation Valves

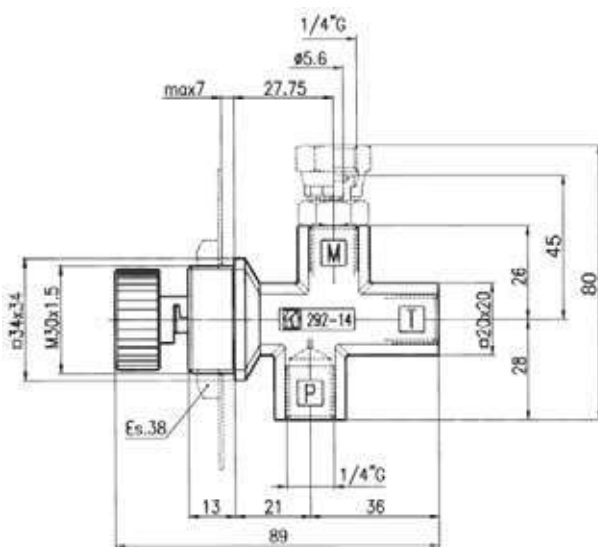
90° angle

Schematic	Part Number	Thread	Max Pressure (bar)	Price (Ex. GST)
	FT291-14	G1/4"	400	\$35.00



## Push Button

Schematic	Part Number	Thread	Max Pressure (bar)	Price (Ex. GST)
	FT292-14	G1/4"	400	\$105.00



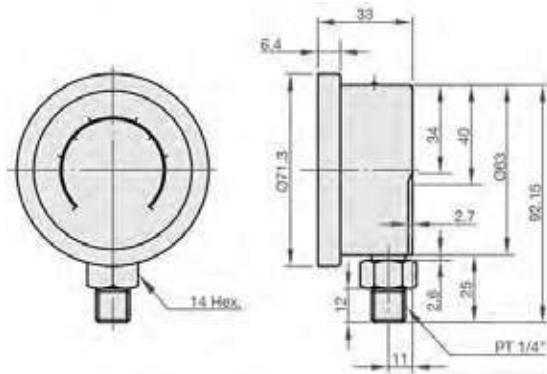
# ACCESSORIES

## Pressure Gauges

### Bottom Mounted

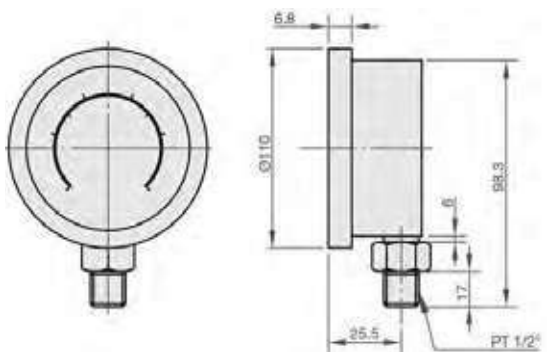
#### 63mm Face Diameter

Part Number	Description	Thread	Face Dia. (mm)	Pressure Range (bar)	Price (Ex. GST)
PG-B-63-60	Gauge BTM 63mm 0-60bar	1/4" BSP	63	0 - 60	\$38.00
PG-B-63-160	Gauge BTM 63mm 0-160bar	1/4" BSP	63	0 - 160	\$38.00
PG-B-63-250	Gauge BTM 63mm 0-250bar	1/4" BSP	63	0 - 250	\$38.00
PG-B-63-400	Gauge BTM 63mm 0-400bar	1/4" BSP	63	0 - 400	\$38.00



#### 100mm Face Diameter

Part Number	Description	Thread	Face Dia. (mm)	Pressure Range (bar)	Price (Ex. GST)
PG-B-100-60	Gauge BTM 100mm 0-60bar	1/2" BSP	100	0 - 60	\$118.00
PG-B-100-160	Gauge BTM 100mm 0-160bar	1/2" BSP	100	0 - 160	\$118.00
PG-B-100-250	Gauge BTM 100mm 0-250bar	1/2" BSP	100	0 - 250	\$118.00
PG-B-100-400	Gauge BTM 100mm 0-400bar	1/2" BSP	100	0 - 400	\$118.00

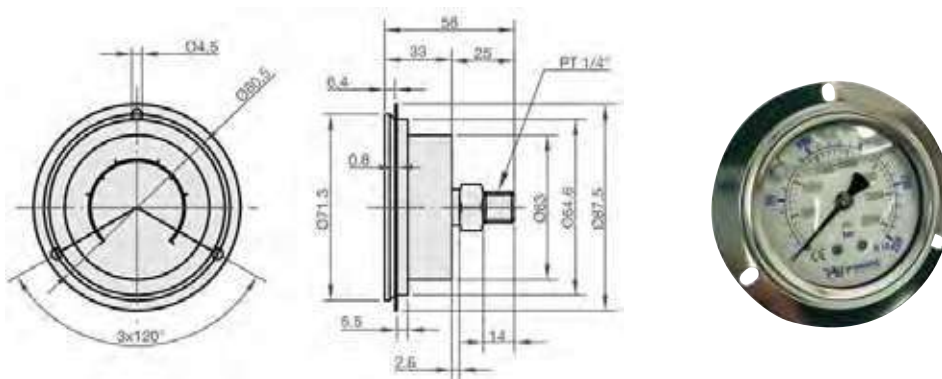


## Pressure Gauges

### Rear Mounted

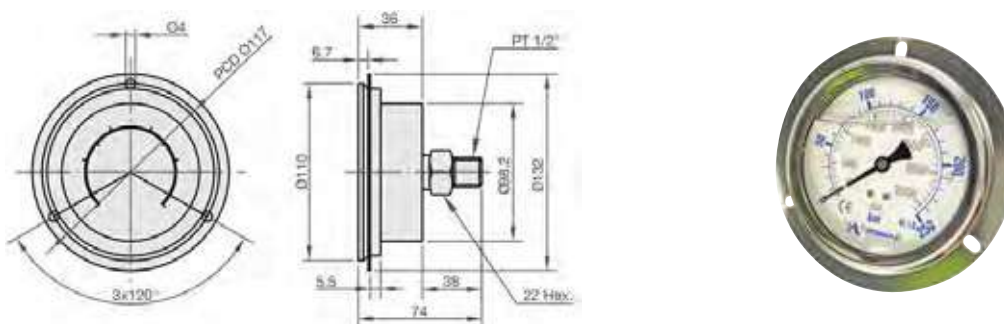
#### 63mm Face Diameter

Part Number	Description	Thread	Face Dia. (mm)	Pressure Range (bar)	Price (Ex. GST)
PG-R-63-60	Gauge Rear 63mm 0-60bar	1/4" BSP	63	0 - 60	\$52.00
PG-R-63-160	Gauge Rear 63mm 0-160bar	1/4" BSP	63	0 - 160	\$52.00
PG-R-63-250	Gauge Rear 63mm 0-250bar	1/4" BSP	63	0 - 250	\$52.00
PG-R-63-400	Gauge Rear 63mm 0-400bar	1/4" BSP	63	0 - 400	\$52.00



#### 100mm Face Diameter

Part Number	Description	Thread	Face Dia. (mm)	Pressure Range (bar)	Price (Ex. GST)
PG-R-100-60	Gauge Rear 100mm 0-60bar	1/2" BSP	100	0 - 60	\$125.00
PG-R-100-160	Gauge Rear 100mm 0-160bar	1/2" BSP	100	0 - 160	\$125.00
PG-R-100-250	Gauge Rear 100mm 0-250bar	1/2" BSP	100	0 - 250	\$125.00
PG-R-100-400	Gauge Rear 100mm 0-400bar	1/2" BSP	100	0 - 400	\$125.00

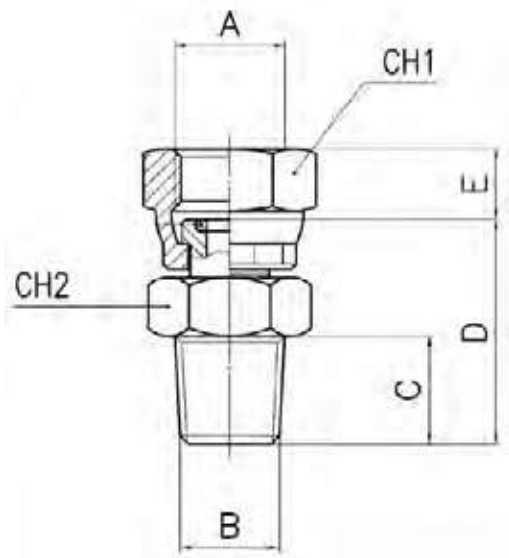


# ACCESSORIES



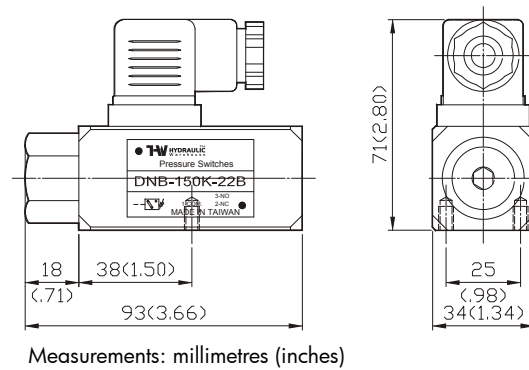
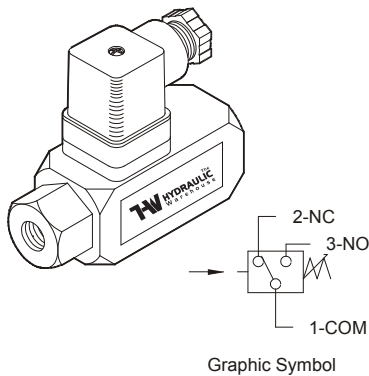
## Gauge Adaptors

Part Number	Description	Dimensions							Price (Ex. GST)
		A	B	C (mm)	D (mm)	E (mm)	CH1 (mm)	CH2 (mm)	
FT299-44	Male x Female Gauge Adaptor	1/4" BSP	1/4" BSP	13	27	7.5	18	17	\$12.00
FT299-42	Male x Female Gauge Adaptor	1/4" BSP	1/2" BSP	16	31	9.5	18	22	\$15.00
FT299-24	Male x Female Gauge Adaptor	1/2" BSP	1/4" BSP	13	31	9.5	27	22	\$23.00
FT299-22	Male x Female Gauge Adaptor	1/2" BSP	1/2" BSP	16	34	11	27	22	\$30.00



## DNB Series Pressure Switches

### Dimensions



### Ordering Code



- ①                      ②                      ③

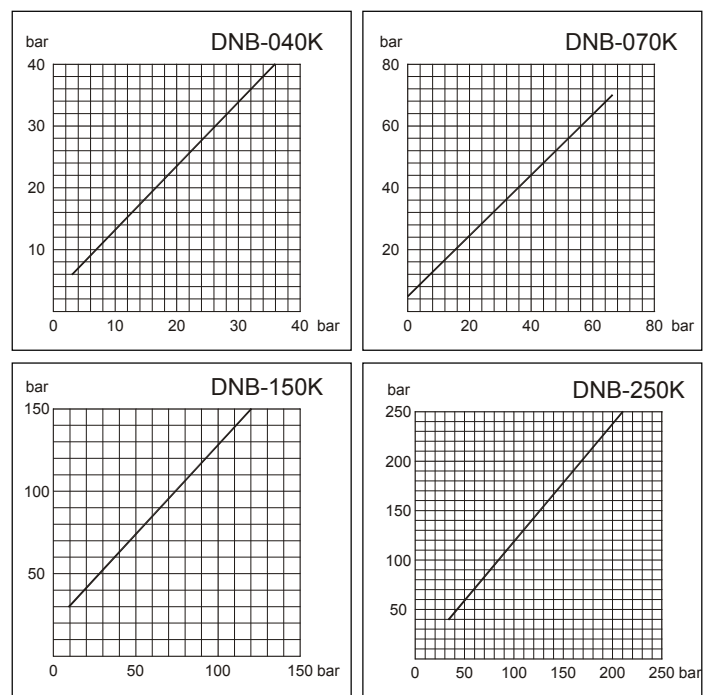
① Series  
DNB

② Pressure Adj. Range

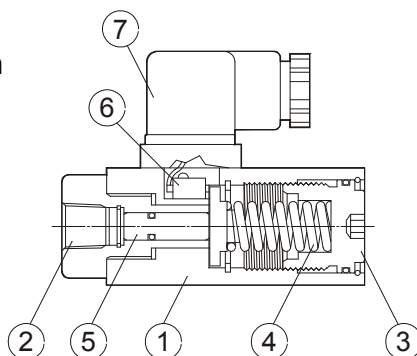
Model	Pres Adj. Range (bar)	Surge Pres. (bar)	Weight (kg)	Price (Ex. GST)
DNB-040K-22B	6~ 40	150	0.6	\$210.00
DNB-070K-22B	5~70	200	0.6	\$210.00
DNB-150K-22B	30~ 150	300	0.6	\$210.00
DNB-250K-22B	40~ 250	300	0.6	\$210.00

③ Thread  
22B: 1/4" BSP

### Hysteresis Diagram



### Schematic Cross-Section



No.	Side Inlet
1	Body (Casting-Iron)
2	Connection Port 1/4" BSP
3	Pressure Adj. Knob
4	Spring
5	Servo-Piston
6	Micro-Switch
7	Electrical Connector