

CATFORD ENGINEERING PRODUCTS

**Jamestown
SA 5491**



Make	Model	Page
OMT	Electric Motor to DIN Mount Pumps	178
OMT	Electric Motor to SAE Mount Pumps	179

Due to fluctuations in the Australian dollar and the economic climate, please be advised that all prices are subject to change.
Please contact us to confirm pricing.

Charles:

Mobile 0418 641 566

Email sales@catford.com.au

Web www.catford.com.au

OMT BELL HOUSINGS & COUPLINGS



Electric Motor to Group 1 DIN Mount Pumps

Aluminium Construction



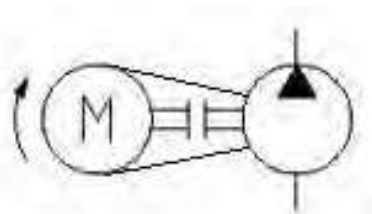
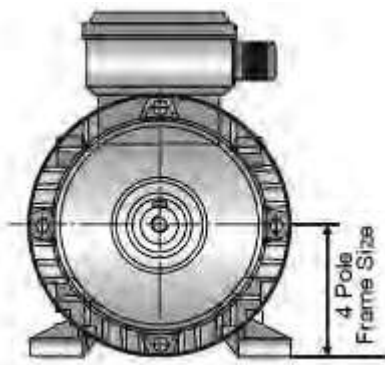
Electric Motor (hp/kW)	4 Pole Frame (mm)	Bell Housing		Electric Motor Shaft Size (mm)	Motor Half Coupling		Pump Shaft	Pump Half Coupling		Spider	
		Part Number	Price (Ex. GST)		Part Number	Price (Ex. GST)		Part Number	Price (Ex. GST)	Part Number	Price (Ex. GST)
1 / 0.75	80	LBH12BA	\$50.00	19	LC48M12	\$15.00	1:8 Taper	LC48TB	\$12.00	LC48S	\$4.00
2 / 1.5	90	LBH12BA	\$50.00	24	LC65M13	\$18.00	1:8 Taper	LC65TB	\$17.00	LC65S	\$6.00
5.5 / 4.0	100	LBH14BA	\$70.00	28	LC65M14	\$22.00	1:8 Taper	LC65TB	\$17.00	LC65S	\$6.00
5.5 / 4.0	112	LBH14BA	\$70.00	28	LC65M14	\$22.00	1:8 Taper	LC65TB	\$17.00	LC65S	\$6.00

Electric Motor to Group 2 DIN Mount Pumps

Aluminium Construction



Electric Motor (hp/kW)	4 Pole Frame (mm)	Bell Housing		Electric Motor Shaft Size (mm)	Motor Half Coupling		Pump Shaft	Pump Half Coupling		Spider	
		Part Number	Price (Ex. GST)		Part Number	Price (Ex. GST)		Part Number	Price (Ex. GST)	Part Number	Price (Ex. GST)
1 / 0.75	80	LBH12CA	\$52.00	19	LC65M12	\$17.00	1:8 Taper	LC65TC	\$17.00	LC65S	\$6.00
2 / 1.5	90	LBH12CA	\$52.00	24	LC65M13	\$18.00	1:8 Taper	LC65TC	\$17.00	LC65S	\$6.00
5.5 / 4.0	100	LBH14CA	\$70.00	28	LC86M14	\$38.00	1:8 Taper	LC86TC	\$26.00	LC86S	\$9.00
5.5 / 4.0	112	LBH14CA	\$70.00	28	LC86M14	\$38.00	1:8 Taper	LC86TC	\$26.00	LC86S	\$9.00
13.4 / 10.0	132	LBH16CA	\$115.00	38	LC86M16	\$56.00	1:8 Taper	LC86TC	\$26.00	LC86S	\$9.00
20.0 / 15.0	160	LBH17CA	\$210.00	42	LC108M17	\$102.00	1:8 Taper	LC108TC	\$43.00	LC108S	\$13.00
30.0 / 22.0	180	LBH17CA	\$210.00	48	LC108M18	\$124.00	1:8 Taper	LC108TC	\$43.00	LC108S	\$13.00



OMT BELL HOUSINGS & COUPLINGS



Electric Motor to SAE-A 2 Bolt Mount Pump Aluminium Construction

Electric Motor (hp/kW)	4 Pole Frame (mm)	Bell Housing		Electric Motor Shaft Size (mm)	Motor Half Coupling		Pump Shaft	Pump Half Coupling		Spider	
		Part Number	Price (Ex. GST)		Part Number	Price (Ex. GST)		Part Number	Price (Ex. GST)	Part Number	Price (Ex. GST)
1 / 0.75	80	LBS12A2	\$71.00	19	LC65M12	\$17.00	3/4"	LC65P06	\$30.00	LC65S	\$6.00
2 / 1.5	90	LBS12A2	\$71.00	24	LC65M13	\$18.00	3/4"	LC65P06	\$30.00	LC65S	\$6.00
5.5 / 4.0	100	LBS14A2	\$107.00	28	LC86M14	\$38.00	3/4"	LC86P06	\$40.00	LC86S	\$9.00
5.5 / 4.0	112	LBS14A2	\$107.00	28	LC86M14	\$38.00	3/4"	LC86P06	\$40.00	LC86S	\$9.00
13.4 / 10.0	132	LBS16A2	\$145.00	38	LC86M16	\$56.00	3/4"	LC86P06	\$40.00	LC86S	\$9.00
20.0 / 15.0	160	LBS17A2	\$203.00	42	LC108M17	\$102.00	3/4"	LC108P06	\$55.00	LC108S	\$13.00
30.0 / 22.0	180	LBS17A2	\$203.00	48	LC108M18	\$124.00	3/4"	LC108P06	\$55.00	LC108S	\$13.00

Electric Motor to SAE-B 2 Bolt Mount Pump Aluminium Construction



Electric Motor (hp/kW)	4 Pole Frame (mm)	Bell Housing		Electric Motor Shaft Size (mm)	Motor Half Coupling		Pump Shaft	Pump Half Coupling		Spider	
		Part Number	Price (Ex. GST)		Part Number	Price (Ex. GST)		Part Number	Price (Ex. GST)	Part Number	Price (Ex. GST)
1 / 0.75	80	LBS12B2	\$105.00	19	LC65M12	\$17.00	7/8"	LC65P07	\$30.00	LC65S	\$6.00
2 / 1.5	90	LBS12B2	\$105.00	24	LC65M13	\$18.00	7/8"	LC65P07	\$30.00	LC65S	\$6.00
5.5 / 4.0	100	LBS14B2	\$107.00	28	LC86M14	\$38.00	7/8"	LC86P07	\$40.00	LC86S	\$9.00
5.5 / 4.0	112	LBS14B2	\$107.00	28	LC86M14	\$38.00	7/8"	LC86P07	\$40.00	LC86S	\$9.00
13.4 / 10.0	132	LBS16B2	\$145.00	38	LC86M16	\$56.00	7/8"	LC86P07	\$40.00	LC86S	\$9.00
20.0 / 15.0	160	LBS17B2	\$203.00	42	LC108M17	\$102.00	7/8"	LC108P07	\$55.00	LC108S	\$13.00
30.0 / 22.0	180	LBS17B2	\$203.00	48	LC108M18	\$124.00	7/8"	LC108P07	\$55.00	LC108S	\$13.00

