

## LINE MOUNTED VALVES

# CATFORD ENGINEERING PRODUCTS

Jamestown  
SA 5491



Make	Model	Page
THW	Pressure Compensated Flow Control Valves	42
Tognella	Needle Valves	43
Gemels	Ball Valves	45
Gemels	Inline Check Valves	47
Fluid Press	Relief Valves	48
Fluid Press	Unloading Valves	48
Fluid Press	Sequence Valves	48
Fluid Press	Check Valves	49
Fluid Press	Overcentre Valves	50
Fluid Press	Flow Control Valves	52
Fluid Press	Solenoid Valves	54
Rexroth	Excavator Valves	55
Rexroth	Overcentre Valves	56

### Charles:

Mobile 0418 641 566

Email [sales@catford.com.au](mailto:sales@catford.com.au)

Web [www.catford.com.au](http://www.catford.com.au)

Due to fluctuations in the Australian dollar and the economic climate, please be advised that all prices are subject to change.

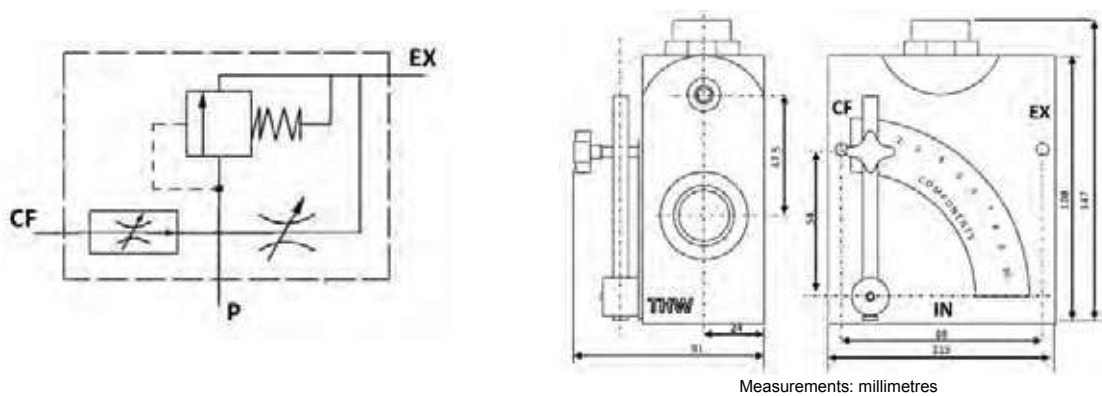
Please contact us to confirm pricing.

# LINE MOUNTED VALVES

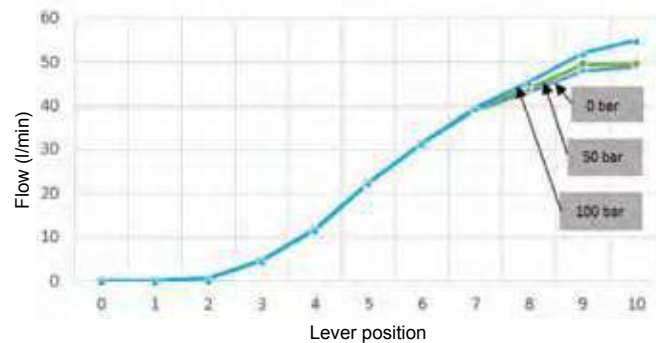


## Pressure Compensated Flow Control Valves

Part Number	Max Pressure (bar)	Rated Flow (lpm)	Porting	Options	Price (Ex. GST)
FCV-40-3/8	210	40	3/8" BSP	-	\$209.00
FCV-40-3/8-RV	210	40	3/8" BSP	Relief Valve	\$209.00
FCV-60-1/2	210	60	1/2" BSP	-	\$209.00
FCV-60-1/2-RV	210	60	1/2" BSP	Relief Valve	\$209.00
FCV-114-3/4	210	114	3/4" BSP	-	\$209.00
FCV-114-3/4-RV	210	114	3/4" BSP	Relief Valve	\$209.00



FCV-60 Flow Curve



- The THW Flow Control Valve is a full-range pressure compensating variable flow control
- Designed so that the orifice area varies as the lever is rotated
- The outlet flow is smooth and constant regardless of the pressure on the control flow or excess flow ports
- An adjustable ball spring relief allows for pressure compensated flow up to the pressure setting on the relief
- Relief valves are pre-set at 1500 psi (100 bar) and field adjustable from 750 to 3000 psi (50 – 207 bar)

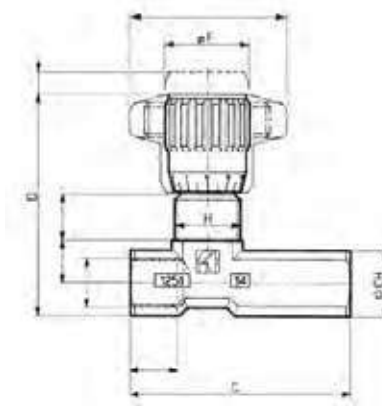
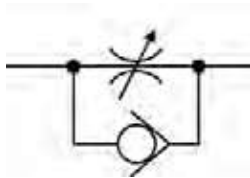


## Inline Needle Valves

FT1251 Silver Series

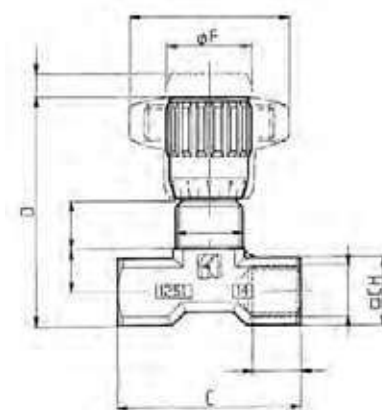
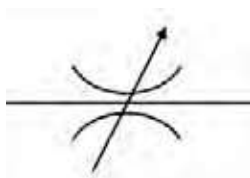
Single Acting with Reverse Free Flow

Part Number	Port Size	C (mm)	CH (mm)	D (mm)	ØF (mm)	Max Pressure (bar)	Price (Ex. GST)
FT1251/5-14	G1/4	56	18	57	22	210	\$116.00
FT1251/5-38	G3/8	64.5	22	69	27	210	\$137.00
FT1251/5-12	G1/2	87	27	82	33	210	\$180.00
FT1251/5-34	G3/4	115	34	100	38	210	\$260.00



## Double Acting

Part Number	Port Size	C (mm)	CH (mm)	D (mm)	ØF (mm)	Max Pressure (bar)	Price (Ex. GST)
FT1251/2-14	G1/4	46	18	57	22	210	\$84.00
FT1251/2-38	G3/8	55	22	69	27	210	\$105.00
FT1251/2-12	G1/2	70	27	82	33	210	\$155.00



# LINE MOUNTED VALVES

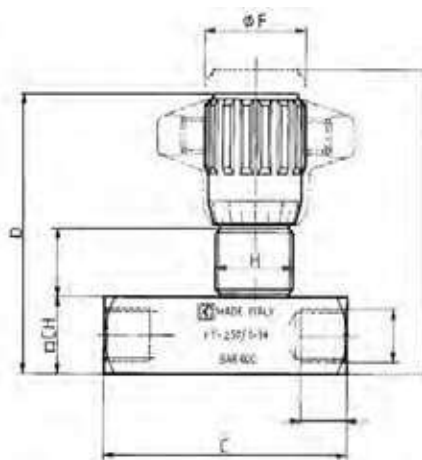
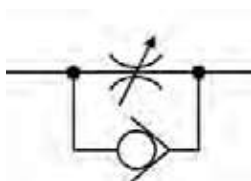


## Inline Needle Valves

FT257 Gold Series

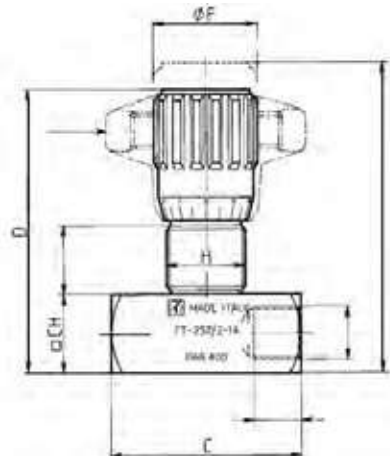
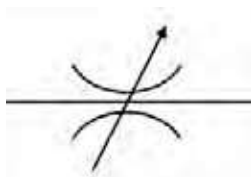
Single Acting with Reverse Free Flow

Part Number	Port Size	C (mm)	CH (mm)	D (mm)	ØF (mm)	Max Pressure (bar)	Price (Ex. GST)
FT257/5-14	G1/4	66	20	71	27	400	\$120.00
FT257/5-38	G3/8	79	25	84	33	400	\$125.00
FT257/5-12	G1/2	94.5	30	97	38	400	\$160.00
FT257/5-34	G3/4	115	40	120.5	47	400	\$205.00



## Double Acting

Part Number	Port Size	C (mm)	CH (mm)	D (mm)	ØF (mm)	Max Pressure (bar)	Price (Ex. GST)
FT257/2-18	G1/8	38	16	59	22	400	\$121.00
FT257/2-14	G1/4	49	20	71	27	400	\$90.00
FT257/2-38	G3/8	59	25	84	33	400	\$120.00
FT257/2-12	G1/2	68	30	97	38	400	\$150.00
FT257/2-34	G3/4	86	40	120.5	47	400	\$250.00
FT257/2-100	G1	105	50	151.5	58	320	\$350.00

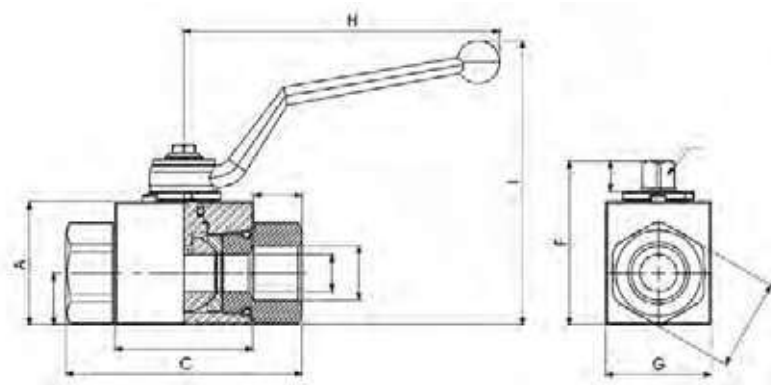




## 2 Way Ball Valves

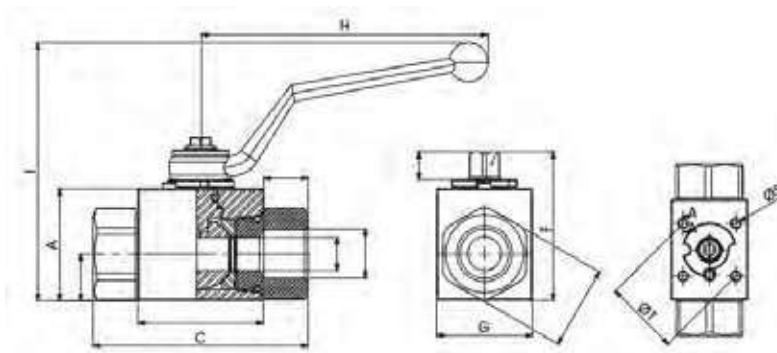
### Standard

Part Number	Port Size	Bore Size (mm)	A (mm)	C (mm)	F (mm)	G (mm)	H (mm)	I (mm)	Max Pressure (bar)	Price (Ex. GST)
HBV04B	G1/4	6	35	71	49	30	110	91.5	500	\$40.00
HBV06B	G3/8	10	40	73	54.25	35	110	96.5	500	\$43.00
HBV08B	G1/2	13	43	83	57	37	110	99.5	500	\$48.00
HBV12B	G3/4	20	57	95	73.5	49	180	106.5	400	\$86.00
HBV16B	G1	25	65	112	83.5	55	180	116.5	350	\$107.00
HBV20B	G1-1/4	30	65	120	83.5	55	180	116.5	350	\$210.00
HBV24B	G1-1/2	38	65	124	83.5	55	180	116.5	350	\$264.00



### Panel Mount

Part Number	Port Size	A (mm)	C (mm)	F (mm)	G (mm)	H (mm)	I (mm)	ØS (mm)	ØT (mm)	Max Pressure (bar)	Price (Ex. GST)
PHBV04B	G1/4	35	71	49	30	110	91.5	M4	35	500	\$73.00
PHBV06B	G3/8	40	73	54.25	35	110	96.5	M5	36	500	\$75.00
PHBV08B	G1/2	43	83	57	37	110	99.5	M5	36	500	\$79.00
PHBV16B	G1	65	112	83.5	55	180	116.5	M6	50	350	\$146.00



### Ball Valve Locking Kits

Part Number	Port Size	Price (Ex. GST)
LK6-F	G1/4, G3/8, G1/2	\$39.00
LK20-F	G3/4, G1	\$56.00



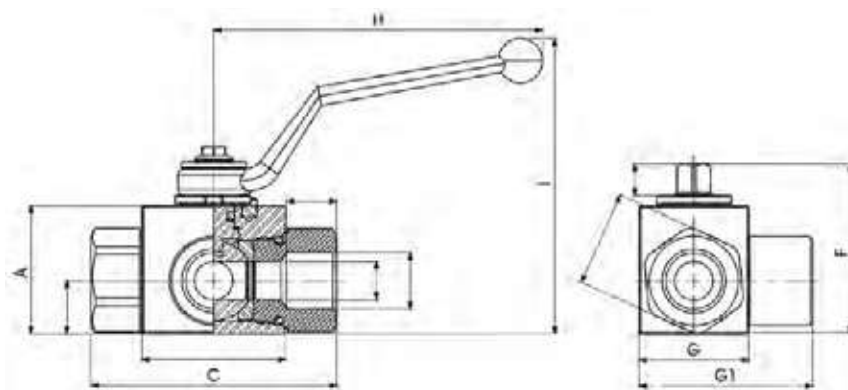
# LINE MOUNTED VALVES



## 3 Way Ball Valves (L Type)

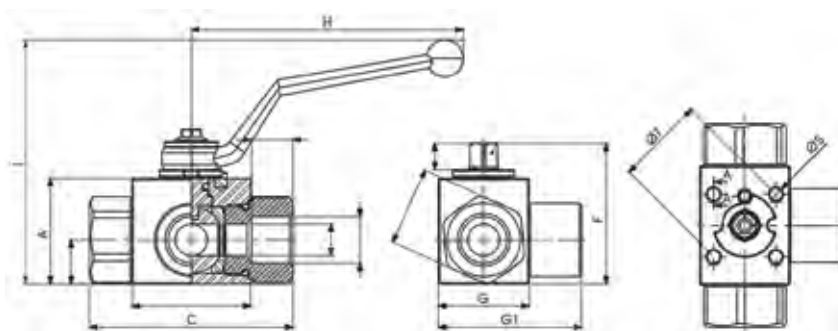
Standard

Part Number	Port Size	A (mm)	C (mm)	F (mm)	G (mm)	G1 (mm)	H (mm)	I (mm)	Max Pressure (bar)	Price (Ex. GST)
3HBV04B	G1/4	35	71	49	30	48.5	110	91.5	400	\$113.00
3HBV06B	G3/8	40	73	54.25	35	54.5	110	96.5	400	\$90.00
3HBV08B	G1/2	43	83	57	37	58.5	110	99.5	350	\$97.00
3HBV12B	G3/4	57	95	73.5	49	75	180	106.5	350	\$161.00
3HBV16B	G1	65	112	83.5	55	89	180	116.5	350	\$182.00
3HBV24B	G1-1/2	65	124	83.5	55	89	180	116.5	350	\$850.00



## Panel Mount

Part Number	Port Size	A (mm)	C (mm)	F (mm)	G (mm)	G1 (mm)	H (mm)	I (mm)	ØS	ØT (mm)	Max Pressure (bar)	Price (Ex. GST)
3PHBV04B	G1/4	35	71	49	30	48.5	110	91.5	M4	35	500	\$111.00
3PHBV06B	G3/8	40	73	54.25	35	54.5	110	96.5	M5	36	500	\$115.00
3PHBV08B	G1/2	43	83	57	37	58.5	110	99.5	M5	36	500	\$120.00
3PHBV16B	G1	65	112	83.5	55	89	180	116.5	M6	50	350	\$218.00



## Ball Valve Locking Kits

Part Number	Port Size	Price (Ex. GST)
LK6-F	G1/4, G3/8, G1/2	\$39.00
LK20-F	G3/4, G1	\$56.00



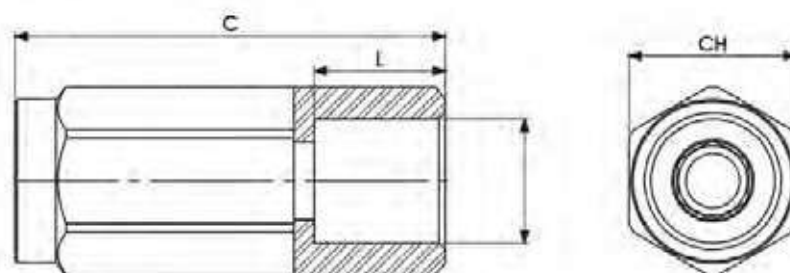


## Inline Check Valves

5 psi Cracking Pressure



Part Number	Port Size	Max Pressure (bar)	C (mm)	L (mm)	CH (mm)	Max Rated Flow (lpm)	Price (Ex. GST)
CV2A05	G1/4	500	62	15.52	19	20	\$25.00
CV3A05	G3/8	500	68	15.5	24	35	\$31.00
CV4A05	G1/2	500	77	17	30	55	\$41.00
CV6A05	G3/4	400	88	21	36	95	\$55.00
CV8A05	G1	350	105	24	41	150	\$80.00
CV10A05	G1-1/4	350	135	24	55	265	\$150.00
CV12A05	G1-1/2	350	145	24	60	380	\$320.00



## 65 psi Cracking Pressure

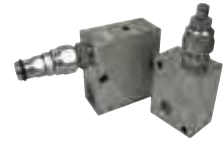
Part Number	Port Size	Max Pressure (bar)	C (mm)	L (mm)	CH (mm)	Max Rated Flow (lpm)	Price (Ex. GST)
CV2A65	G1/4	500	62	15.52	19	20	\$36.00
CV3A65	G3/8	500	68	15.5	24	35	\$33.00
CV4A65	G1/2	500	77	17	30	55	\$43.00
CV6A65	G3/4	400	88	21	36	95	\$65.00
CV8A65	G1	350	105	24	41	150	\$84.00
CV10A65	G1-1/4	350	135	24	55	265	\$211.00



# LINE MOUNTED VALVES



FLUID-PRESS



## Relief Valves

Line Mounted, Pilot Operated, Sliding Spool Relief Valve

Schematic	Part Number	Rated Flow (lpm)	Adjusted Range (bar)	Port Sizes	Price (Ex. GST)
	FPM-P-150-CB-P-3/4-20	150	15-250	G3/4	\$278.00

Line Mounted, Direct Acting, Guided Poppet Relief Valve

Schematic	Part Number	Rated Flow (lpm)	Adjusted Range (bar)	Port Sizes	Price (Ex. GST)
	FPM-D-40-CB-P-3/8-35	40	80-350	G3/8	\$109.00
	FPM-D-40-CB-P-1/2-05	40	5-50	G1/2	\$109.00
	FPM-D-40-CB-P-1/2-20	40	50-220	G1/2	\$109.00
	FPM-D-70-CB-P-1/2-20	80	80-280	G1/2	\$167.00
	FPM-D-70-CB-P-3/4-20	80	80-280	G3/4	\$167.00
	FPM-D-40-CB-P-3/8-05	40	5-50	G3/8	\$109.00
	FPM-D-40-CB-P-3/8-20	40	50-220	G3/8	\$109.00
	FPM-D-70-CB-P-1/2-05	70	5-50	G1/2	\$167.00

Line Mounted, Dual Cross, Direct Acting, Relief Valve

Schematic	Part Number	Rated Flow (lpm)	Adjusted Range (bar)	Port Sizes	Price (Ex. GST)
	FPM-D-40-IL-3/8-20	40	50-220	G3/8	\$199.00
	FPM-D-70-IL-1/2-20	80	80-280	G1/2	\$300.00

## Unloading Valves

Line Mounted, Pilot Operated Unloading Valve

Schematic	Part Number	Rated Flow (lpm)	Adjusted Range (bar)	Port Sizes	Price (Ex. GST)
	FPMS-P-1/2-20	150	50-220	G1/2	\$355.00
	FPMS-P-3/4-20	150	50-220	G3/4	\$369.00

## Sequence Valves

Line Mounted, Direct Acting Sequence Valve

Schematic	Part Number	Rated Flow (lpm)	Adjusted Range (bar)	Port Sizes	Price (Ex. GST)
	FPSQ-D-30-CB-P-3/8-10	40	30-100	G3/8	\$158.00
	FPSQ-D-30-CB-P-3/8-20	40	50-220	G3/8	\$158.00

Line Mounted, Fully Balanced, Direct Acting Sequence Valve

Schematic	Part Number	Rated Flow (lpm)	Adjusted Range (bar)	Port Sizes	Price (Ex. GST)
	FPSQB-D-30-CB-1/2-10	40	30-100	G1/2	\$239.00
	FPSQB-D-30-CB-1/2-20	40	50-220	G1/2	\$239.00





## Check Valves

### Single Acting Check Valve, Insert Type

Schematic	Part Number	Rated Flow (lpm)	Adjusted Range (bar)	Port Sizes	Price (Ex. GST)
	FPRI-1/4	15	350	G1/4	\$40.00
	FPRI-3/4	80	300	G3/4	\$62.00

### Line Mounted, Single Pilot Operated Check Valve

Schematic	Part Number	Rated Flow (lpm)	Adjusted Range (bar)	Port Sizes	Price (Ex. GST)
	FPSL-1/2-5-G	45	210	G1/2	\$142.00
	FPD-L-1/2-5-G	45	250	G1/2	\$192.00

### Line Mounted Shuttle Valve

Schematic	Part Number	Rated Flow (lpm)	Adjusted Range (bar)	Port Sizes	Price (Ex. GST)
	FPT-1/4	25	350	G1/4	\$58.00
	FPT-3/8	50	350	G3/8	\$62.00
	FPT-1/2	80	350	G1/2	\$94.00

### Line Mounted, Double Pilot Operated Check Valve

Schematic	Part Number	Rated Flow (lpm)	Adjusted Range (bar)	Port Sizes	Price (Ex. GST)
	FPD-L-3/8	25	250	G3/8	\$159.00
	FPD-L-1/2	45	250	G1/2	\$179.00
	FPD-L-1/2-5	45	250	G1/2	\$179.00

### Line Mounted, Double Pilot Operated Check Valve

Schematic	Part Number	Rated Flow (lpm)	Adjusted Range (bar)	Port Sizes	Price (Ex. GST)
	FPD-1/2-5	45	300	G1/2	\$134.00
	FPD-1/4	12	350	G1/4	\$109.00
	FPD-1/4-5	12	350	G1/4	\$109.00

# LINE MOUNTED VALVES



FLUID-PRESS



## Over Centre Valves

### Over Centre Valve, Cartridge Version

Schematic	Part Number	Rated Flow (lpm)	Adjusted Range (bar)	Cavity Size	Price (Ex. GST)
	FPO-50-C-35	50	80-350	33123	\$180.00

### Line Mounted, Single Over Centre Valve

Schematic	Part Number	Rated Flow (lpm)	Adjusted Range (bar)	Port Sizes	Price (Ex. GST)
	FPO-50-S-3/8-L-20	30	60-210	G3/8 / G1/4	\$180.00
	FPO-50-S-3/8-L-35	30	80-350	G3/8 / G1/4	\$180.00
	FPO-50-S-1/2-L-20	50	60-210	G1/2 / G1/4	\$187.00

### Line Mounted, Partially Balanced Single Over Centre Valve, External Pilot

Schematic	Part Number	Rated Flow (lpm)	Adjusted Range (bar)	Port Sizes	Price (Ex. GST)
	FPO-50-S-1/2-L-35	50	80-350	G1/2 / G1/4	\$187.00

### Line Mounted, Partially Balanced Single Over Centre Valve, Internal Pilot

Schematic	Part Number	Rated Flow (lpm)	Adjusted Range (bar)	Port Sizes	Price (Ex. GST)
	FPOB-50-S-1/2-LP-35	50	80-350	G3/8	\$305.00

### Line Mounted, Single Over Centre Valve, Internal Pilot - E Series

Schematic	Part Number	Rated Flow (lpm)	Adjusted Range (bar)	Port Sizes	Price (Ex. GST)
	FPOE-70-S-1/2-LPA-35	70	120-350	G1/2	\$179.00

### Line Mounted, Partially Balanced Over Centre Valve - E Series

Schematic	Part Number	Rated Flow (lpm)	Adjusted Range (bar)	Port Sizes	Price (Ex. GST)
	FPOEB-70-S-1/2-LPA-35	70	120-350	G1/2	\$209.00



## Over Centre Valves (continued)

### Inline Mounted, Dual Over Centre Valve - E Series

Schematic	Part Number	Rated Flow (lpm)	Adjusted Range (bar)	Port Sizes	Price (Ex. GST)
	FPOE-40-D-3/8-LA-20-B	40	60-210	G3/8	\$269.00
	FPOE-40-D-3/8-LA-20	40	60-210	G3/8	\$269.00
	FPOE-40-D-3/8-LA-35	40	120-350	G3/8	\$269.00
	FPOE-70-D-1/2-LA-20-B	70	60-210	G1/2	\$299.00
	FPOE-70-D-1/2-LA-35-B	70	120-350	G1/2	\$299.00

### Line Mounted, Partially Balanced Dual Over Centre Valve - E Series

Schematic	Part Number	Rated Flow (lpm)	Adjusted Range (bar)	Port Sizes	Price (Ex. GST)
	FPOEB-70-D-1/2-LA-35	70	120-350	G1/2	\$347.00
	FPOEB-70-D-1/2-LA-35-B	70	120-350	G1/2	\$347.00

### Line Mounted, Dual Over Centre Valve

Schematic	Part Number	Rated Flow (lpm)	Adjusted Range (bar)	Port Sizes	Price (Ex. GST)
	FPO-50-D-3/8-L-20	30	60-210	G3/8	\$362.00

### Line Mounted, Dual Over Centre Valve with Brake Release Port

Schematic	Part Number	Rated Flow (lpm)	Adjusted Range (bar)	Port Sizes	Price (Ex. GST)
	FPO-50-D-1/2-L-U-20	50	60-210	G1/2	\$405.00

### Manifold Mounted, Dual Over Centre Valve

Schematic	Part Number	Rated Flow (lpm)	Adjusted Range (bar)	Port Sizes	Price (Ex. GST)
	FPO-50-D-3/8-2F-20	30	60-210	G3/8	\$405.00

### Line Mounted, Dual Over Centre Valve with Manual Override

Schematic	Part Number	Rated Flow (lpm)	Max Pressure (bar)	Port Sizes	Price (Ex. GST)
	FP-111-0008	40	250	G3/8	\$455.00

# LINE MOUNTED VALVES



FLUID-PRESS



## Flow Control Valves

### Single Acting Line Mounted, Barrel Type Flow Restrictor

Schematic	Part Number	Rated Flow (lpm)	Max Pressure (bar)	Port Sizes	Price (Ex. GST)
	FPMU-3/8	30	350	G3/8	\$80.00

### Double Acting Needle Valve, Cartridge Version

Schematic	Part Number	Rated Flow (lpm)	Max Pressure (bar)	Cavity Size	Price (Ex. GST)
	FPBC-S08-P	40	350	23081	\$80.00

### Hose Burst Insert

Schematic	Part Number	Rated Flow (lpm)	Max Pressure (bar)	Port Sizes	Price (Ex. GST)
	FPP-3/8	16-50	350	G3/8	\$35.00
	FPP-1/2	25-80	350	G1/2	\$39.00

### Housing for Hose Burst Insert

Part Number	Max Pressure (bar)	Port Sizes	Price (Ex. GST)
FPP-3/8-FF	350	G3/8	\$35.00
FPP-1/2-FF	350	G1/2	\$43.00

### Line Mounted, Flow Divider/ Combiner

Schematic	Part Number	Rated Flow (lpm)	Max Pressure (bar)	Port Sizes	Price (Ex. GST)
	FPPD-S10-CB-1/2-3/8-M	20-40	250	G1/2 / G3/8	\$360.00
	FPPD-S12-CB-3/4-1/2-A	50-75	250	G3/4 / G1/2	\$550.00
	FPPD-S12-CB-3/4-1/2-B	75-100	250	G3/4 / G1/2	\$550.00
	FPPD-S16-CB-1-3/4-E	115-150	250	G1 / G3/4	\$550.00

### Line Mounted, 2 Way Pressure Compensated Flow Regulator

Schematic	Part Number	Rated Flow (lpm)	Max Pressure (bar)	Port Sizes	Price (Ex. GST)
	FPRBC-3/8-G	30	250	G3/8	\$271.00
	FPRBC-1/2-G	50	250	G1/2	\$300.00
	FPRBC-3/4-G	90	250	G3/4	\$390.00

### Inline, 3 Way Pressure Compensated Flow Regulator

Schematic	Part Number	Rated Flow (lpm)	Max Pressure (bar)	Port Sizes	Price (Ex. GST)
	FPVP-1/2-G	50	250	G1/2	\$390.00
	FPVP-3/4-G	90	250	G3/4	\$585.00



## Flow Control Valves (continued)

Line Mounted, 3 Way Pressure Compensated Flow Regulator

Schematic	Part Number	Rated Flow (lpm)	Max Pressure (bar)	Port Sizes	Price (Ex. GST)
	FPRF-3/8-G	30	250	G3/8	\$325.00
	FPRF-1/2-G	50	250	G1/2	\$325.00
	FPRF-1/2-H	50	250	G1/2	\$430.00
	FPRF-3/4-G	90	250	G3/4	\$430.00
	FPRF-1-G	150	250	G1	\$525.00

## Flow, Check and Metering Valve for Boom Lifts

Schematic	Part Number	Rated Flow (lpm)	Max Pressure (bar)	Port Sizes	Price (Ex. GST)
	FPEXC-150-S-3/4-L-DX-05-50	150	420	G3/4 / G1/4	\$652.00

## Flow, Check and Metering Valve for Boom Lifts

Schematic	Part Number	Rated Flow (lpm)	Max Pressure (bar)	Port Sizes	Price (Ex. GST)
	FPEXC-250-S-3/4-1F-SAE-6000-05-50	250	420	3/4" Code 62 / G1/4	\$1,069.00
	FPEXC-400-S-1-1F-SAE-6000-05-50	400	420	1" Code 62 / G1/4	\$1,417.00
	FPEXC-500S-1-1/4-1F-SAE-6000-05-50	500	420	1-1/4" Code 62 / G1/4	\$1,614.00

# LINE MOUNTED VALVES



FLUID-PRESS



## Solenoid Valves

### 2 Way, Double Lock Normally Closed Poppet Valve

Schematic	Part Number	Rated Flow (lpm)	Max Pressure (bar)	Cavity	Price (Ex. GST)
	FP-22-PD-G3/4-02	2-70	350	21261	\$280.00
	FP-22-PD-G1-02	4-150	350	21331	\$345.00
	FP-22-PD-S08-02	2-70	350	23081	\$225.00

### 2 Way, Normally Closed Poppet Valve

Schematic	Part Number	Rated Flow (lpm)	Max Pressure (bar)	Cavity	Price (Ex. GST)
	FP-22-CP-G3/4-06	2-70	350	21261	\$195.00
	FP-22-CP-G1-06	4-150	350	21331	\$255.00

### 2 Way, Normally Open Poppet Valve

Schematic	Part Number	Rated Flow (lpm)	Max Pressure (bar)	Cavity	Price (Ex. GST)
	FP-22-CP-S08-16	2-70	350	23081	\$144.00
	FP-22-CP-S08-16-P	4-150	350	23081	\$230.00

## Housings for Solenoid Valves

Part Number	Material	Cavity	Port Sizes	Price (Ex. GST)
23081-G14-A1	Aluminium	23081	G1/4	\$64.00
23081-G38-A1	Aluminium	23081	G3/8	\$82.00
21331-G34-A1	Aluminium	21331	G3/4	\$200.00
21331-G1-A1	Aluminium	21331	G1	\$204.00
21261-G12-A1	Aluminium	21261	G1/2	\$92.00
21261-G34-A1	Aluminium	21261	G3/4	\$100.00

## Coils for Solenoid Valves

Part Number	Connections	Voltage	Power (w)	Price (Ex. GST)
C-13-A-18-H-A	DIN 43650	12 DC	18	\$35.00
C-13-B-18-H-A	DIN 43650	24 DC	18	\$35.00





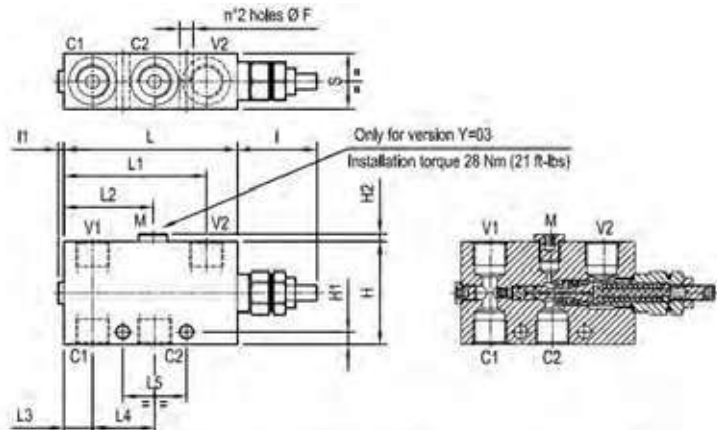
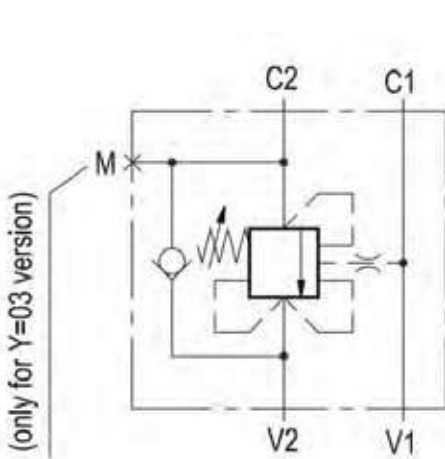
# LINE MOUNTED VALVES



## Overcentre Valves

### Single Counterbalance, Relief Compensated

Part Number	Rated Flow (lpm)	Max Pressure (bar)	Port Sizes	Price (Ex. GST)
08.45.17.03.03.35	60	100-350	G1/2" / G1/4"	\$305.00



35	40	39.3	16	55.3	89.8	100	3.5	50	5	8	65	6.5		G 1/2	1.85
(1.38)	(1.58)	(1.55)	(0.71)	(2.18)	(3.54)	(4.29)	(0.14)	(1.97)	(0.2)	(0.32)	(2.56)	(0.34)		Y	Weight
S	L5	L4	L3	L2	L1	L	I	H	H2	H1	H	F			kg (lbs)

## Flangeable Pilot Controlled Overcentre

Part Number	Rated Flow (lpm)	Max Pressure (bar)	Port Sizes	Price (Ex. GST)
08.45.65.03.53.35	250	100-350	3/4" SAE 3000 / G1/2"	\$1,046.00

