

# CATFORD ENGINEERING PRODUCTS

Jamestown  
SA 5491



| Make   | Model                        | Page |
|--------|------------------------------|------|
| Nimco  | CV110 Series                 | 30   |
| Nimco  | CV400 Series                 | 31   |
| Nimco  | SVB Series                   | 32   |
| THW    | Ordering Codes               | 33   |
| THW    | GM08 Series                  | 34   |
| THW    | GM10 Series                  | 35   |
| Husco  | 5000 Series                  | 36   |
| Husco  | 6000 Series                  | 37   |
| THW    | Manual 6 Port<br>Selectors   | 38   |
| Hidros | Solenoid 6 Port<br>Selectors | 39   |

Due to fluctuations in the Australian dollar and the economic climate, please be advised that all prices are subject to change.  
Please contact us to confirm pricing.

**Charles:**

Mobile 0418 641 566

Email [sales@catford.com.au](mailto:sales@catford.com.au)

Web [www.catford.com.au](http://www.catford.com.au)

# MOBILE DIRECTIONAL CONTROL VALVES



## CV110

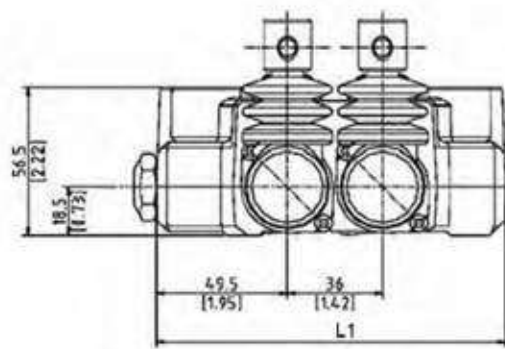
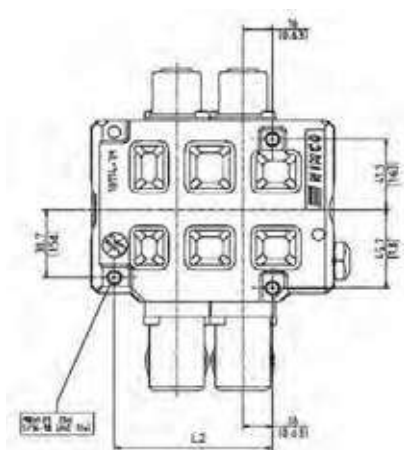
### High Performance Monoblock Valves

| Part Number  | Spools | Max Flow (lpm) | Max Pressure (bar) | Ports    |          |          |          | Weight (kg) | L1 (mm) | L2 (mm) | Price (Ex. GST) |
|--------------|--------|----------------|--------------------|----------|----------|----------|----------|-------------|---------|---------|-----------------|
|              |        |                |                    | A        | B        | P        | T        |             |         |         |                 |
| CV111/1S-9S5 | 1      | 50             | 320                | 3/8" BSP | 3/8" BSP | 3/8" BSP | 1/2" BSP | 3.2         | 96      | 50      | \$308.00        |
| CV112/1S-9S5 | 2      | 50             | 320                | 3/8" BSP | 3/8" BSP | 3/8" BSP | 1/2" BSP | 6.6         | 132     | 86      | \$462.00        |
| CV113/1S-9S5 | 3      | 50             | 320                | 3/8" BSP | 3/8" BSP | 3/8" BSP | 1/2" BSP | 8.3         | 168     | 122     | \$605.00        |
| CV114/1S-9S5 | 4      | 50             | 320                | 3/8" BSP | 3/8" BSP | 3/8" BSP | 1/2" BSP | 10          | 204     | 158     | \$772.00        |
| CV115/1S-9S5 | 5      | 50             | 320                | 3/8" BSP | 3/8" BSP | 3/8" BSP | 1/2" BSP | 11.7        | 240     | 194     | \$869.00        |

Note: Standard options include spring centred double acting spool

### Features

- Load holding checks on each section
- Exceptionally low spool leakage
- Float spool options



| Part Number | Description                                    | Price (Ex. GST) |
|-------------|--|-----------------|
| 10347-4S    | Lever Handle 175mm                             | \$23.00         |
| 10266-4S    | Lever Box Assembly                             | \$23.00         |
| 11701-3S    | Dual Lever Assembly                            | \$231.00        |
| 10515-4S    | Cable Kit                                      | \$57.00         |
| 11934-3S    | 3 Position Detent Kit                          | \$44.00         |
| 11935-3S    | Detentin Position 2                            | \$44.00         |
| 11936-3S    | Detentin Position 3                            | \$44.00         |
| 4S-1848     | Pneumatic On/Off                               | \$162.00        |
| 610038      | Closed Centre Plug                             | \$28.00         |
| 10534-4S    | High Pressure Carry Over Plug                  | \$28.00         |
| 15081-3B    | CV110 Double Acting Spool + Metering           | \$228.00        |
| 10574-3B    | CV110 Single Acting Spool - Port A             | \$69.00         |
| 10309-3B    | CV110 Double Acting Spool + Float              | \$69.00         |
| 10308-3B    | CV110 Double Acting Spool + Float and Metering | \$69.00         |
| 10576-3B    | CV110 Motor Spool + Metering                   | \$69.00         |

# MOBILE DIRECTIONAL CONTROL VALVES



## CV400

### High Performance Monoblock Valves

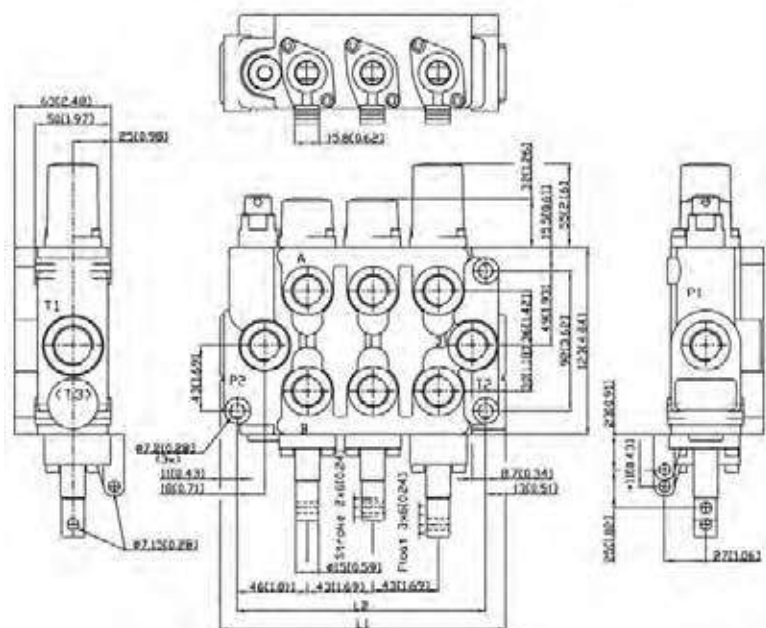


| Part Number  | Spools | Max Flow (lpm) | Max Pressure (bar) | Ports    |          |          |          | Weight (kg) | L1 (mm) | L2 (mm) | Price (Ex. GST) |
|--------------|--------|----------------|--------------------|----------|----------|----------|----------|-------------|---------|---------|-----------------|
|              |        |                |                    | A        | B        | P        | T        |             |         |         |                 |
| CV401/1S-9S5 | 1      | 80             | 320                | 1/2" BSP | 1/2" BSP | 1/2" BSP | 3/4" BSP | 4.4         | 101     | 77      | \$336.00        |
| CV402/1S-9S5 | 2      | 80             | 320                | 1/2" BSP | 1/2" BSP | 1/2" BSP | 3/4" BSP | 6.6         | 144     | 120     | \$496.00        |
| CV403/1S-9S5 | 3      | 80             | 320                | 1/2" BSP | 1/2" BSP | 1/2" BSP | 3/4" BSP | 8.7         | 187     | 163     | \$649.00        |
| CV404/1S-9S5 | 4      | 80             | 320                | 1/2" BSP | 1/2" BSP | 1/2" BSP | 3/4" BSP | 10.9        | 230     | 206     | \$813.00        |

Note: Standard options include spring centred double acting spool

### Features

- Exceptionally low spool leakage
- Float spool options



| Part Number | Description                        | Price (Ex. GST) |
|-------------|------------------------------------|-----------------|
| 10347-4S    | Lever Handle                       | \$23.00         |
| 2S-40103    | Lever Box Assembly                 | \$188.00        |
| 4S-5139     | Cable Kit                          | \$57.00         |
| 4S-4136     | 3 Position Detent Kit              | \$59.00         |
| 4S-4296     | Detent in Position 2               | \$82.00         |
| 4S-4297     | Detent in Position 3               | \$82.00         |
| 4S-4043     | Pneumatic On/Off                   | \$174.00        |
| 610034-M    | Closed Centre Plug                 | \$33.00         |
| 4S-4031     | High Pressure Carry Over Plug      | \$33.00         |
| 3B-4122     | CV400 Single Acting Spool - Port B | \$83.00         |
| 3B-4061     | CV400 Double Acting Spool - Float  | \$88.00         |
| 3B-4035     | CV400 Motor Spool                  | \$88.00         |

# MOBILE DIRECTIONAL CONTROL VALVES



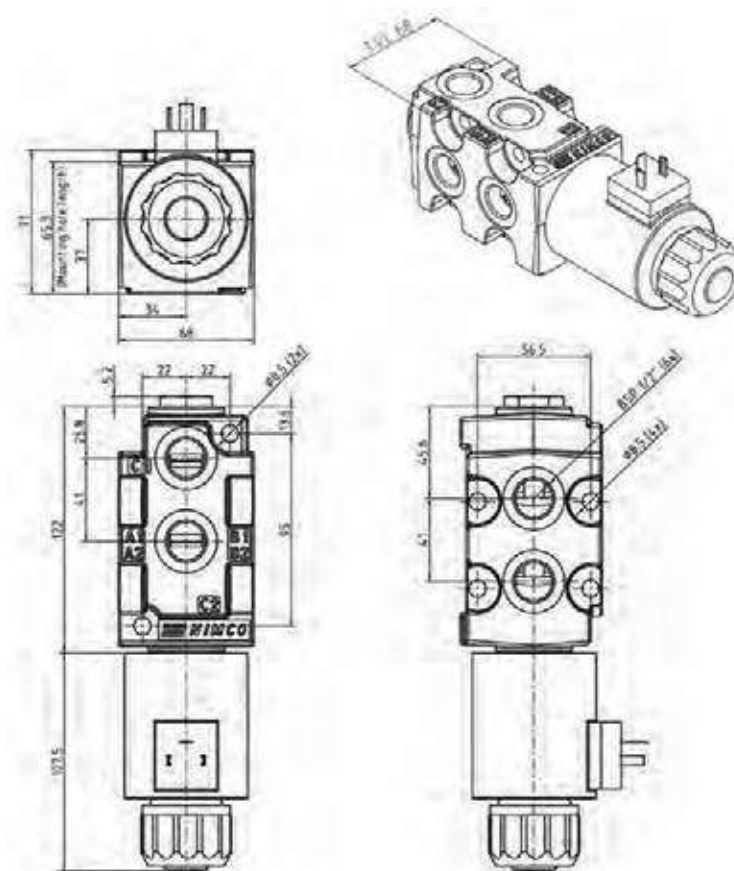
## SVB

### High Performance Solenoid Selector Valves

| Part Number    | Description           | Coil Voltage | Nominal Flow (lpm) | Adjusted Range (bar) | Ports    | Price (Ex. GST) |
|----------------|-----------------------|--------------|--------------------|----------------------|----------|-----------------|
| SVB-04-1/2-12V | 6 Port Selector Valve | 12VDC        | 90                 | 80-250               | 1/2" BSP | \$519.00        |
| SVB-04-1/2-24V | 6 Port Selector Valve | 24VDC        | 90                 | 80-250               | 1/2" BSP | \$519.00        |

## Spares

| Part Number | Description            | Coil Voltage | Price (Ex. GST) |
|-------------|------------------------|--------------|-----------------|
| 4K-1503     | Coil to Suit SVB Valve | 12VDC        | \$328.00        |
| 4K-1504     | Coil to Suit SVB Valve | 24VDC        | \$328.00        |

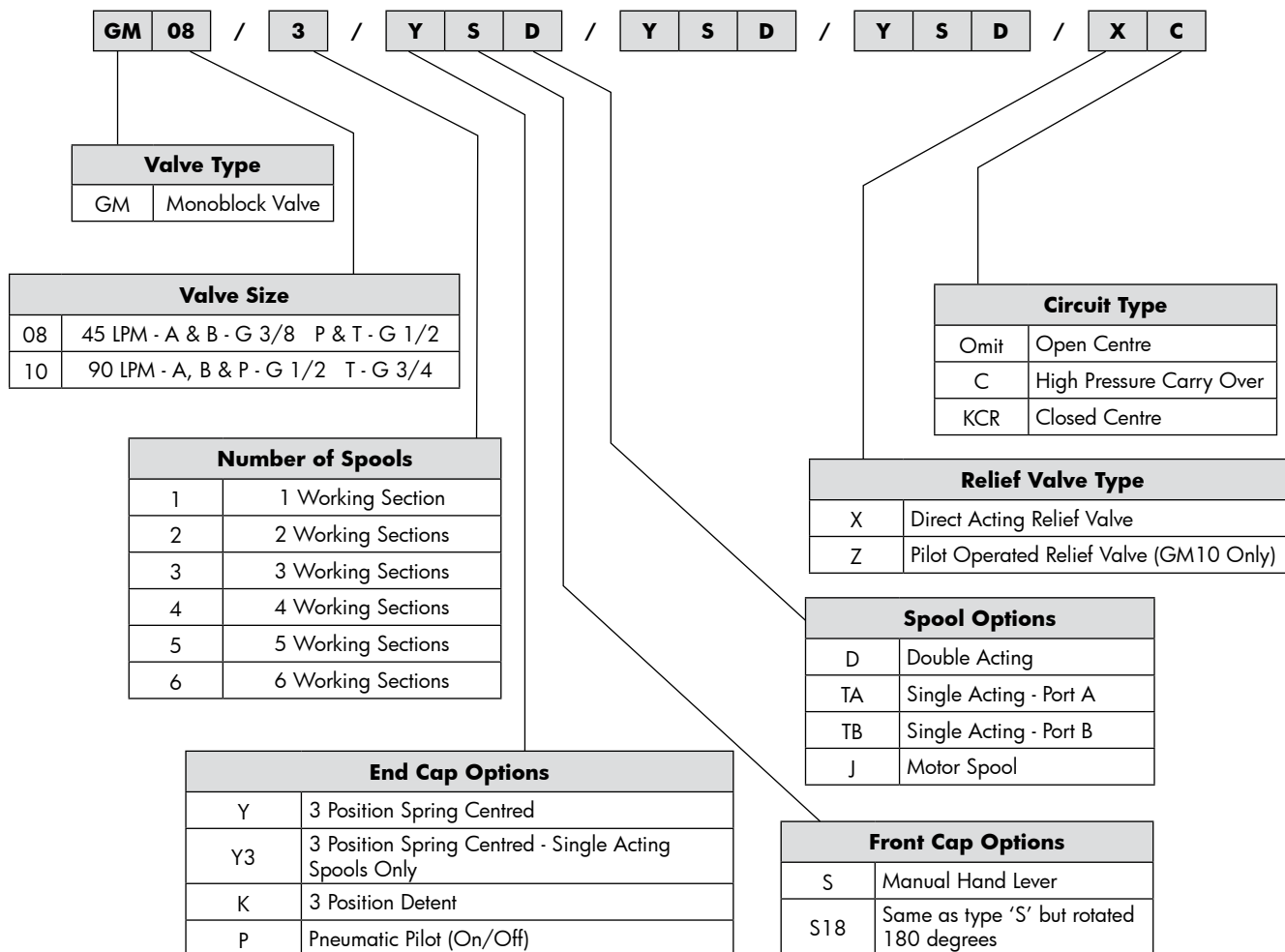


# MOBILE DIRECTIONAL CONTROL VALVES

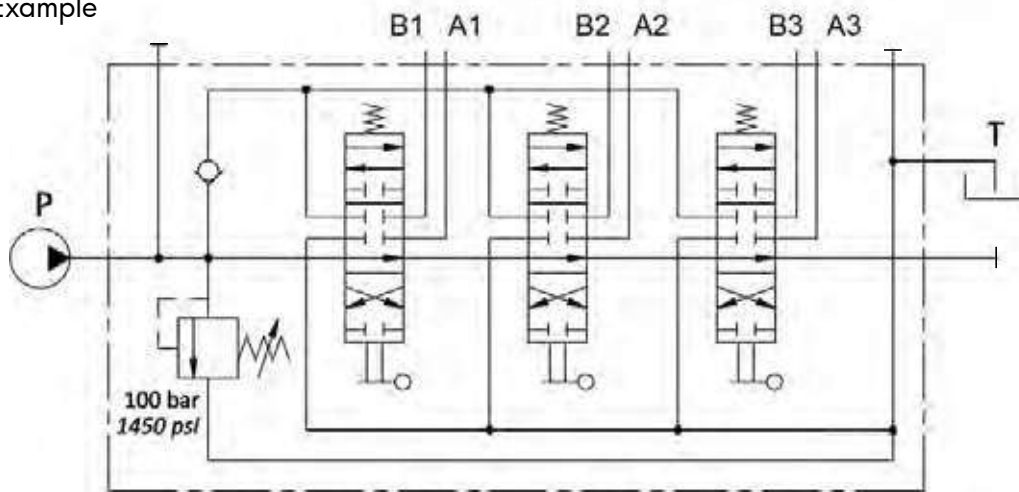


## Ordering Guide - Build Code

Typical Example



Typical Circuit Example



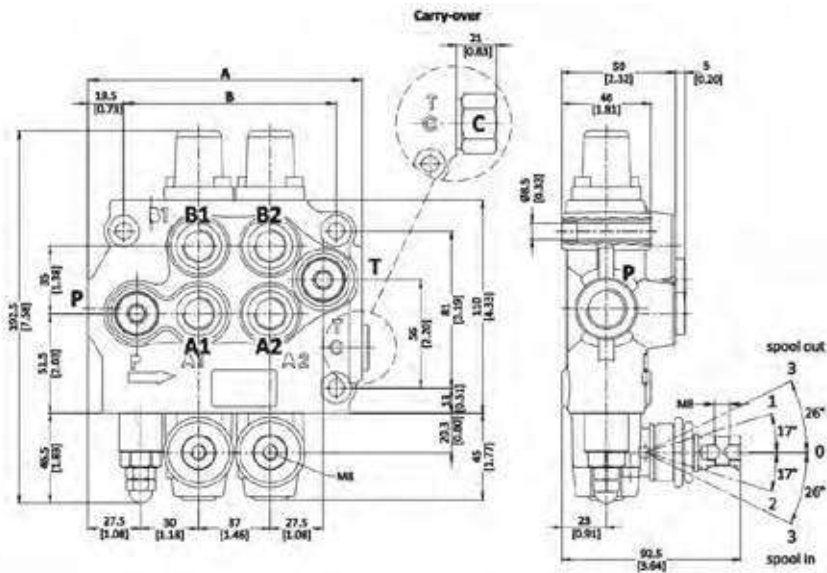
# MOBILE DIRECTIONAL CONTROL VALVES



## GM08

### Standard Performance Monoblock Valves

| Part Number  | Spools | Max Flow (lpm) | Max Pressure (bar) | Ports    |          |          |          | Weight (kg) | A (mm) | B (mm) | Price (Ex. GST) |
|--------------|--------|----------------|--------------------|----------|----------|----------|----------|-------------|--------|--------|-----------------|
|              |        |                |                    | A        | B        | P        | T        |             |        |        |                 |
| GM08/1/YSD-X | 1      | 45             | 350                | 3/8" BSP | 3/8" BSP | 1/2" BSP | 1/2" BSP | 3.1         | 104    | 73     | \$221.00        |
| GM08/2/YSD-X | 2      | 45             | 350                | 3/8" BSP | 3/8" BSP | 1/2" BSP | 1/2" BSP | 4.4         | 141    | 110    | \$315.00        |
| GM08/3/YSD-X | 3      | 45             | 350                | 3/8" BSP | 3/8" BSP | 1/2" BSP | 1/2" BSP | 5.7         | 178    | 147    | \$417.00        |
| GM08/4/YSD-X | 4      | 45             | 350                | 3/8" BSP | 3/8" BSP | 1/2" BSP | 1/2" BSP | 7.2         | 215    | 184    | \$553.00        |
| GM08/5/YSD-X | 5      | 45             | 350                | 3/8" BSP | 3/8" BSP | 1/2" BSP | 1/2" BSP | 8.7         | 252    | 221    | \$686.00        |
| GM08/6/YSD-X | 6      | 45             | 350                | 3/8" BSP | 3/8" BSP | 1/2" BSP | 1/2" BSP | 10.2        | 289    | 258    | \$838.00        |



| Part Number | Description                               | Price (Ex. GST) |
|-------------|---|-----------------|
| UBM 058     | Double Acting Spool                       | \$38.00         |
| UBM 058/J   | Motor Spool                               | \$59.00         |
| UBM 058/TA* | Single Acting Spool - Port A              | \$59.00         |
| UBM 058/TB* | Single Acting Spool - Port B              | \$59.00         |
| K08/K       | 3 Position Detent Kit                     | \$59.00         |
| K08/YK1     | Detent Position 1                         | \$65.00         |
| K08/YK2     | Detent Position 2                         | \$65.00         |
| PNOKONT-08  | Pneumatic On/Off Kit                      | \$103.00        |
| KE08K01     | Direct Acting Relief Valve                | \$71.00         |
| KK07X195    | Lever Handle Only                         | \$8.00          |
| YBM 10071   | Lever Box Only                            | \$26.00         |
| YBM 10073   | End Cap                                   | \$49.00         |
| SM6X6MM KIT | Spring Centring Kit - Single Acting Spool | \$19.00         |
| KCR08/10    | High Pressure Carry Over Plug             | \$22.00         |
| KCR08/00    | Closed Centre Plug                        | \$25.00         |

\*Note: You need to order a SM6x6MM kit for every UBM 058/TA or UBM 058/TB spool you order.

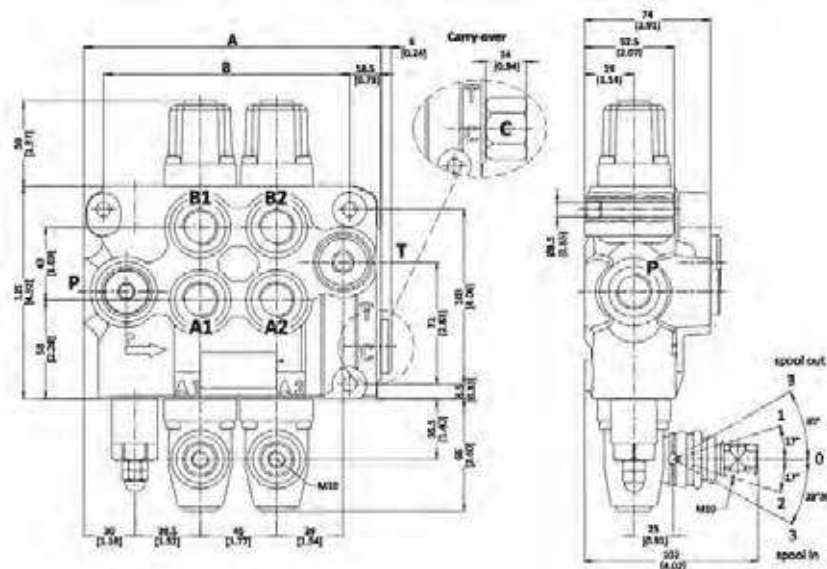
# MOBILE DIRECTIONAL CONTROL VALVES



## GM10

### Standard Performance Monoblock Valves

| Part Number  | Spools | Max Flow (lpm) | Max Pressure (bar) | Ports    |          |          |          | Weight (kg) | A (mm) | B (mm) | Price (Ex. GST) |
|--------------|--------|----------------|--------------------|----------|----------|----------|----------|-------------|--------|--------|-----------------|
|              |        |                |                    | A        | B        | P        | T        |             |        |        |                 |
| GM10/1/YSD-X | 1      | 90             | 350                | 1/2" BSP | 1/2" BSP | 1/2" BSP | 3/4" BSP | 5.8         | 130    | 100    | \$332.00        |
| GM10/2/YSD-X | 2      | 90             | 350                | 1/2" BSP | 1/2" BSP | 1/2" BSP | 3/4" BSP | 8.3         | 175    | 145    | \$430.00        |
| GM10/3/YSD-X | 3      | 90             | 350                | 1/2" BSP | 1/2" BSP | 1/2" BSP | 3/4" BSP | 10.9        | 220    | 190    | \$595.00        |
| GM10/4/YSD-X | 4      | 90             | 350                | 1/2" BSP | 1/2" BSP | 1/2" BSP | 3/4" BSP | 13.4        | 265    | 235    | \$761.00        |
| GM10/5/YSD-X | 5      | 90             | 350                | 1/2" BSP | 1/2" BSP | 1/2" BSP | 3/4" BSP | 16.5        | 310    | 280    | \$939.00        |
| GM10/6/YSD-X | 6      | 90             | 350                | 1/2" BSP | 1/2" BSP | 1/2" BSP | 3/4" BSP | 19.2        | 355    | 325    | \$1106.00       |



| Part Number | Description                               | Price (Ex. GST) |
|-------------|---|-----------------|
| UBM 059     | Double Acting Spool                       | \$53.00         |
| UBM 059/J   | Motor Spool                               | \$76.00         |
| UBM 059/TA* | Single Acting Spool - Port A              | \$676.00        |
| UBM 059/TB* | Single Acting Spool - Port B              | \$76.00         |
| K10/K       | 3 Position Detent Kit                     | \$80.00         |
| K10/YK1     | Detent Position 1                         | \$82.00         |
| K10/YK2     | Detent Position 2                         | \$82.00         |
| PNOKONT-10  | Pneumatic On/Off Kit                      | \$162.00        |
| KE10K01     | Direct Acting Relief Valve                | \$83.00         |
| KE10K02     | Pilot-Operated Relief Valve               | \$96.00         |
| KK07X195    | Lever Handle Only                         | \$8.00          |
| YBM I0070   | Lever Box Only                            | \$29.00         |
| YBM I0072   | End Cap                                   | \$11.00         |
| SM8X7MM KIT | Spring Centring Kit - Single Acting Spool | \$60.00         |
| KCR16/10    | High Pressure Carry Over Plug             | \$32.00         |
| KCR16/00    | Closed Centre Plug                        | \$27.00         |
| SK-GM08/1   | Seal Kit                                  | \$21.00         |

\*Note: You need to order a SM8x7MM kit for every UBM 059/TA or UBM 059/TB spool you order.

# MOBILE DIRECTIONAL CONTROL VALVES



## 5000 Series - 75 lpm Valve

### Inlet Sections

| Part Number | Side Inlet | Top Inlet | Side Outlet | Top Outlet | Aux Port<br>(refer to table Auxiliary Options) | Price<br>(Ex. GST) |
|-------------|------------|-----------|-------------|------------|--|--------------------|
| 5001-A35    | SAE 10     | -         | -           | -          | No   | \$219.00           |
| 5001-A59    | -          | SAE 10    | -           | SAE 10     | Yes  | \$223.00           |
| 5001-A88    | SAE 12     | SAE 10    | SAE 12      | SAE 10     | Yes  | \$225.00           |

Note: Inlet sections are not supplied with relief valve.

### Working Sections

| Description    | Type      | Part Number<br>No Auxiliary<br>Ports | List Price | Part Number<br>With 2 x<br>Auxiliary Ports | Part Number<br>End Mechanism<br>(refer to End Mechanism Options table) | Relation | Price<br>(Ex. GST) |
|----------------|-----------|--------------------------------------|------------|--|--|----------|--------------------|
| Cylinder Spool | Parrallel | 5002-A1                              | \$277.00   | 5002-A269                                  | B10-100  | A        | \$612.00           |
| Float Spool    | Parrallel | 5002-A10                             | \$499.00   | 5002-A522                                  | B10-100  | A        | \$657.00           |

Note: End Mechanism included on working section. Handles are not included.

### Outlet Section / Turnaround

| Part Number | Side Outlet | Side HPCO | Top Outlet | Top HPCO | Description      | Aux Port<br>(refer to table Auxiliary Options) | Price<br>(Ex. GST) |
|-------------|-------------|-----------|------------|----------|------------------|--|--------------------|
| 5003-A1     | -           | -         | -          | -        | Open Centre      | No   | \$164.00           |
| 5003-A3     | SAE 12      | -         | -          | -        | Open Centre      | No   | \$241.00           |
| 5003-E5     | -           | SAE 12    | -          | -        | Closed<br>Centre | No   | \$283.00           |
| 5003-A67    | -           | -         | SAE 10     | -        | Universal        | Yes  | \$359.00           |
| 5003-A68    | SAE 12      | SAE 12    | SAE 10     | SAE 10   | Universal        | Yes  | \$342.00           |

Note: Universal outlet sections can be open centre, closed centre or HPCO (High Pressure Carry Over) (power beyond).

### Lever Assembly

| Description | Handle S/A | List Price | Boot Seal | Price<br>(Ex. GST) |
|-------------|------------|------------|-----------|--------------------|
| Vertical    | 52250-1    | \$179      | 51662     | \$42.00            |
| Horizontal  | 52250-12   | \$179      | 52348     | \$37.00            |
| 45 degree   | 52250-14   | \$179      | 51662     | \$42.00            |

### Tie Rod Kit

| Number of<br>Working<br>Sections | Part Number | Price<br>(Ex. GST) |
|----------------------------------|-------------|--------------------|
| 1                                | 6131-1      | \$79.00            |
| 2                                | 6131-2      | \$81.00            |
| 3                                | 6131-3      | \$86.00            |
| 4                                | 6131-4      | \$87.00            |
| 5                                | 6131-5      | \$99.00            |
| 6                                | 6131-6      | \$101.00           |
| 7                                | 6131-7      | \$119.00           |
| 8                                | 6131-8      | \$119.00           |
| 9                                | 6131-9      | \$119.00           |

### End Mechanism Options

| Description            | Part Number | Relation | Price<br>(Ex. GST) |
|------------------------|-------------|----------|--------------------|
| Spring<br>Centring Kit | B10-100     | A        | \$81.00            |
| Detent Kit             | B11-100     | A        | \$201.00           |
| Float Spool Kit        | B11-105     | B        | \$390.00           |
| Hydraulic Pilot        | B12-108     | A        | \$345.00           |

### Seal Kit (1 per section)

| Description | Part Number | Price<br>(Ex. GST) |
|-------------|-------------|--------------------|
| Seal Kit    | SK5000      | \$56.00            |

### Auxiliary Options

| Description                    | Part Number | Pressure Range  | Price<br>(Ex. GST) |
|--------------------------------|-------------|-----------------|--------------------|
| Pilot Operated<br>Relief Valve | 5060-P      | 1500 - 3500 PSI | \$202.00           |
| Direct Acting<br>Relief Valve  | 52710-J     | 1500 - 3500 PSI | \$158.00           |
| Auxiliary Plug                 | 52610       | -               | \$28.00            |



# MOBILE DIRECTIONAL CONTROL VALVES



## 6000 Series - 132 lpm Valve

### Inlet Sections

| Part Number | Side Inlet | Top Inlet | Side Outlet | Top Outlet | Aux Port<br>(refer to table Auxiliary Options) | Price<br>(Ex. GST) |
|-------------|------------|-----------|-------------|------------|--|--------------------|
| 6001-D100   | -          | SAE 12    | -           | SAE 16     | Yes  | \$574.00           |
| 6001-D102   | SAE 16     | SAE 12    | SAE 16      | SAE 16     | Yes  | \$594.00           |

Note: Inlet sections are not supplied with relief valve.

### Working Sections

| Description    | Type     | Part Number<br>Without<br>Auxiliary Ports | List Price | Part Number<br>With 2 x<br>Auxiliary Ports | Part Number<br>End Mechanism<br>Relation<br>(refer to End Mechanism Options table) |          | Price<br>(Ex. GST) |
|----------------|----------|---|------------|--|--|----------|--------------------|
|                |          |   |            |  | Part Number  | Relation |                    |
| Cylinder Spool | Parallel | 6002-J433                                 | \$1,223.00 | 6002-J387                                  | D10-200  | A        | \$1,076.00         |
| Float Spool    | Parallel | 6002-J154                                 | \$1,259.00 | 6002-J394                                  | D10-200  | A        | \$1,288.00         |

Note: End Mechanism included on working section. Handles are not included.

### Outlet Section / Turnaround

| Part Number | Side Outlet | Side HPCO | Top Outlet | Top HPCO | Description      | Aux Port<br>(refer to table Auxiliary Options) | Price<br>(Ex. GST) |
|-------------|-------------|-----------|------------|----------|------------------|--|--------------------|
| 6003-E2     | SAE 16      | -         | -          | -        | Open Centre      | No   | \$343.00           |
| 6003-K3     | -           | SAE 16    | -          | -        | Closed<br>Centre | No   | \$524.00           |

Note: Universal outlet sections can be open centre, closed centre or HPCO (High Pressure Carry Over) (power beyond).

### Lever Assembly

| Part Number | Price<br>(Ex. GST) |
|-------------|--------------------|
| 6105-A      | \$763.00           |

### End Mechanism Options

| Description         | Part Number | Relation | Price<br>(Ex. GST) |
|---------------------|-------------|----------|--------------------|
| Spring Centring Kit | D10-200     | A        | \$361.00           |
| Detent Kit          | D11-100     | A        | \$654.00           |

### Tie Rod Kit

| Number of<br>Working<br>Sections | Part Number | Price<br>(Ex. GST) |
|----------------------------------|-------------|--------------------|
| 1                                | 6246-41     | \$113.00           |
| 2                                | 6246-42     | \$118.00           |
| 3                                | 6246-43     | \$122.00           |

Note: More Tie Rod Kits available on request.  
(up to 9 working sections)

### Seal Kit (1 per section)

| Description | Part Number | Price<br>(Ex. GST) |
|-------------|-------------|--------------------|
| Seal Kit    | SK6000      | \$59.00            |

### Auxiliary Options

| Description                 | Part Number | Pressure Range | Price<br>(Ex. GST) |
|-----------------------------|-------------|----------------|--------------------|
| Pilot Operated Relief Valve | 51055-2     | 700 - 6000 PSI | \$296.00           |
| Auxiliary Plug              | 52810       | -              | \$44.00            |



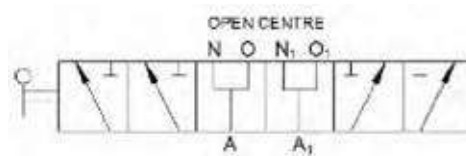
# MOBILE DIRECTIONAL CONTROL VALVES



D6 1/2

6 Port Manual Selector Valve

| Ports    | Max Flow | Max Pressure | B (mm) | C (mm) | D (mm) | E (mm) | F (mm) | G (mm) | H (mm) | L (mm) | M (mm) | Weight (kg) | Type        | Price (Ex. GST) |
|----------|----------|--------------|--------|--------|--------|--------|--------|--------|--------|--------|--------|-------------|-------------|-----------------|
| 1/2" BSP | 90LPM    | 350 Bar      | 80     | 32     | 8.5    | 36     | 86     | 24     | 124    | 115    | 161    | 2.3         | Open Centre | \$180.00        |



# MOBILE DIRECTIONAL CONTROL VALVES



## Hidros Solenoid Selector Valves

### DVS6 Series - 50 lpm

| Part Number       | Description           | Coil Voltage | Nominal (lpm) | Max Pressure (bar) | Ports    | Price (Ex. GST) |
|-------------------|-----------------------|--------------|---------------|--------------------|----------|-----------------|
| DVS6-L12DC-G38-02 | 6 Port Selector Valve | 12VDC        | 50            | 315                | 3/8" BSP | \$278.00        |
| DVS6-L24DC-G38-02 | 6 Port Selector Valve | 24VDC        | 50            | 315                | 3/8" BSP | \$278.00        |

### Spares

| Part Number    | Description             | Coil Voltage | Price (Ex. GST) |
|----------------|-------------------------|--------------|-----------------|
| DVS.COIL/12VDC | Coil to suit DVS6 Valve | 12VDC        | \$85.00         |
| DVS.COIL/24VDC | Coil to suit DVS6 Valve | 24VDC        | \$85.00         |

### SVV Series - 90 lpm

| Part Number  | Description           | Coil Voltage | Nominal (lpm) | Max Pressure (bar) | Ports    | Price (Ex. GST) |
|--------------|-----------------------|--------------|---------------|--------------------|----------|-----------------|
| SVV-90-G-12V | 6 Port Selector Valve | 12VDC        | 90            | 280                | 1/2" BSP | \$372.00        |
| SVV-90-G-24V | 6 Port Selector Valve | 24VDC        | 90            | 280                | 1/2" BSP | \$372.00        |

### Spares

| Part Number      | Description              | Coil Voltage | Price (Ex. GST) |
|------------------|--------------------------|--------------|-----------------|
| SVV90.COIL/12VDC | Coil to Suit SVV90 Valve | 12VDC        | \$160.00        |
| SVV90.COIL/24VDC | Coil to Suit SVV90 Valve | 24VDC        | \$160.00        |