

# CATFORD

Jamestown

SA 5491

# ENGINEERING PRODUCTS

All Prices Excluding GST

Phone: 0418 641 566

[www.catford.com.au](http://www.catford.com.au) [sales@catford.com.au](mailto:sales@catford.com.au)

**OMT BELL HOUSINGS & COUPLINGS**



Due to fluctuations in the Australian dollar and the economic climate, please be advised that all prices are subject to change.

Please contact us to confirm pricing.

# CATFORD ENGINEERING PRODUCTS

**Jamestown  
SA 5491**



| Make | Model                             | Page |
|------|-----------------------------------|------|
| OMT  | Electric Motor to DIN Mount Pumps | 178  |
| OMT  | Electric Motor to SAE Mount Pumps | 179  |

Due to fluctuations in the Australian dollar and the economic climate, please be advised that all prices are subject to change.  
Please contact us to confirm pricing.

**Charles:**

**Mobile** 0418 641 566

**Email** sales@catford.com.au

**Web** www.catford.com.au

# OMT BELL HOUSINGS & COUPLINGS



## Electric Motor to Group 1 DIN Mount Pumps

Aluminium Construction



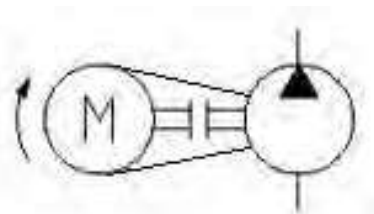
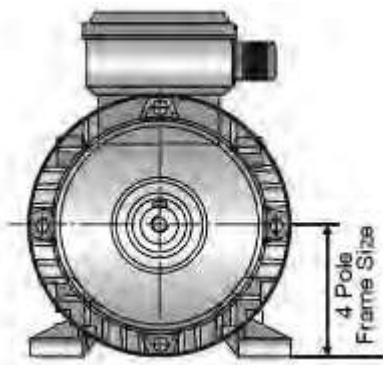
| Electric Motor (hp/kW) | 4 Pole Frame (mm) | Bell Housing |                 | Electric Motor Shaft Size (mm) | Motor Half Coupling |                 | Pump Shaft | Pump Half Coupling |                 | Spider      |                 |
|------------------------|-------------------|--------------|-----------------|--------------------------------|---------------------|-----------------|------------|--------------------|-----------------|-------------|-----------------|
|                        |                   | Part Number  | Price (Ex. GST) |                                | Part Number         | Price (Ex. GST) |            | Part Number        | Price (Ex. GST) | Part Number | Price (Ex. GST) |
| 1 / 0.75               | 80                | LBH12BA      | \$50.00         | 19                             | LC48M12             | \$15.00         | 1:8 Taper  | LC48TB             | \$12.00         | LC48S       | \$4.00          |
| 2 / 1.5                | 90                | LBH12BA      | \$50.00         | 24                             | LC65M13             | \$18.00         | 1:8 Taper  | LC65TB             | \$17.00         | LC65S       | \$6.00          |
| 5.5 / 4.0              | 100               | LBH14BA      | \$70.00         | 28                             | LC65M14             | \$22.00         | 1:8 Taper  | LC65TB             | \$17.00         | LC65S       | \$6.00          |
| 5.5 / 4.0              | 112               | LBH14BA      | \$70.00         | 28                             | LC65M14             | \$22.00         | 1:8 Taper  | LC65TB             | \$17.00         | LC65S       | \$6.00          |

## Electric Motor to Group 2 DIN Mount Pumps

Aluminium Construction



| Electric Motor (hp/kW) | 4 Pole Frame (mm) | Bell Housing |                 | Electric Motor Shaft Size (mm) | Motor Half Coupling |                 | Pump Shaft | Pump Half Coupling |                 | Spider      |                 |
|------------------------|-------------------|--------------|-----------------|--------------------------------|---------------------|-----------------|------------|--------------------|-----------------|-------------|-----------------|
|                        |                   | Part Number  | Price (Ex. GST) |                                | Part Number         | Price (Ex. GST) |            | Part Number        | Price (Ex. GST) | Part Number | Price (Ex. GST) |
| 1 / 0.75               | 80                | LBH12CA      | \$52.00         | 19                             | LC65M12             | \$17.00         | 1:8 Taper  | LC65TC             | \$17.00         | LC65S       | \$6.00          |
| 2 / 1.5                | 90                | LBH12CA      | \$52.00         | 24                             | LC65M13             | \$18.00         | 1:8 Taper  | LC65TC             | \$17.00         | LC65S       | \$6.00          |
| 5.5 / 4.0              | 100               | LBH14CA      | \$70.00         | 28                             | LC86M14             | \$38.00         | 1:8 Taper  | LC86TC             | \$26.00         | LC86S       | \$9.00          |
| 5.5 / 4.0              | 112               | LBH14CA      | \$70.00         | 28                             | LC86M14             | \$38.00         | 1:8 Taper  | LC86TC             | \$26.00         | LC86S       | \$9.00          |
| 13.4 / 10.0            | 132               | LBH16CA      | \$115.00        | 38                             | LC86M16             | \$56.00         | 1:8 Taper  | LC86TC             | \$26.00         | LC86S       | \$9.00          |
| 20.0 / 15.0            | 160               | LBH17CA      | \$210.00        | 42                             | LC108M17            | \$102.00        | 1:8 Taper  | LC108TC            | \$43.00         | LC108S      | \$13.00         |
| 30.0 / 22.0            | 180               | LBH17CA      | \$210.00        | 48                             | LC108M18            | \$124.00        | 1:8 Taper  | LC108TC            | \$43.00         | LC108S      | \$13.00         |



# OMT BELL HOUSINGS & COUPLINGS



## Electric Motor to SAE-A 2 Bolt Mount Pump Aluminium Construction

| Electric Motor (hp/kW) | 4 Pole Frame (mm) | Bell Housing |                 | Electric Motor Shaft Size (mm) | Motor Half Coupling |                 | Pump Shaft | Pump Half Coupling |                 | Spider      |                 |
|------------------------|-------------------|--------------|-----------------|--------------------------------|---------------------|-----------------|------------|--------------------|-----------------|-------------|-----------------|
|                        |                   | Part Number  | Price (Ex. GST) |                                | Part Number         | Price (Ex. GST) |            | Part Number        | Price (Ex. GST) | Part Number | Price (Ex. GST) |
| 1 / 0.75               | 80                | LBS12A2      | \$71.00         | 19                             | LC65M12             | \$17.00         | 3/4"       | LC65P06            | \$30.00         | LC65S       | \$6.00          |
| 2 / 1.5                | 90                | LBS12A2      | \$71.00         | 24                             | LC65M13             | \$18.00         | 3/4"       | LC65P06            | \$30.00         | LC65S       | \$6.00          |
| 5.5 / 4.0              | 100               | LBS14A2      | \$107.00        | 28                             | LC86M14             | \$38.00         | 3/4"       | LC86P06            | \$40.00         | LC86S       | \$9.00          |
| 5.5 / 4.0              | 112               | LBS14A2      | \$107.00        | 28                             | LC86M14             | \$38.00         | 3/4"       | LC86P06            | \$40.00         | LC86S       | \$9.00          |
| 13.4 / 10.0            | 132               | LBS16A2      | \$145.00        | 38                             | LC86M16             | \$56.00         | 3/4"       | LC86P06            | \$40.00         | LC86S       | \$9.00          |
| 20.0 / 15.0            | 160               | LBS17A2      | \$203.00        | 42                             | LC108M17            | \$102.00        | 3/4"       | LC108P06           | \$55.00         | LC108S      | \$13.00         |
| 30.0 / 22.0            | 180               | LBS17A2      | \$203.00        | 48                             | LC108M18            | \$124.00        | 3/4"       | LC108P06           | \$55.00         | LC108S      | \$13.00         |

## Electric Motor to SAE-B 2 Bolt Mount Pump Aluminium Construction



| Electric Motor (hp/kW) | 4 Pole Frame (mm) | Bell Housing |                 | Electric Motor Shaft Size (mm) | Motor Half Coupling |                 | Pump Shaft | Pump Half Coupling |                 | Spider      |                 |
|------------------------|-------------------|--------------|-----------------|--------------------------------|---------------------|-----------------|------------|--------------------|-----------------|-------------|-----------------|
|                        |                   | Part Number  | Price (Ex. GST) |                                | Part Number         | Price (Ex. GST) |            | Part Number        | Price (Ex. GST) | Part Number | Price (Ex. GST) |
| 1 / 0.75               | 80                | LBS12B2      | \$105.00        | 19                             | LC65M12             | \$17.00         | 7/8"       | LC65P07            | \$30.00         | LC65S       | \$6.00          |
| 2 / 1.5                | 90                | LBS12B2      | \$105.00        | 24                             | LC65M13             | \$18.00         | 7/8"       | LC65P07            | \$30.00         | LC65S       | \$6.00          |
| 5.5 / 4.0              | 100               | LBS14B2      | \$107.00        | 28                             | LC86M14             | \$38.00         | 7/8"       | LC86P07            | \$40.00         | LC86S       | \$9.00          |
| 5.5 / 4.0              | 112               | LBS14B2      | \$107.00        | 28                             | LC86M14             | \$38.00         | 7/8"       | LC86P07            | \$40.00         | LC86S       | \$9.00          |
| 13.4 / 10.0            | 132               | LBS16B2      | \$145.00        | 38                             | LC86M16             | \$56.00         | 7/8"       | LC86P07            | \$40.00         | LC86S       | \$9.00          |
| 20.0 / 15.0            | 160               | LBS17B2      | \$203.00        | 42                             | LC108M17            | \$102.00        | 7/8"       | LC108P07           | \$55.00         | LC108S      | \$13.00         |
| 30.0 / 22.0            | 180               | LBS17B2      | \$203.00        | 48                             | LC108M18            | \$124.00        | 7/8"       | LC108P07           | \$55.00         | LC108S      | \$13.00         |

