

CATFORD ENGINEERING PRODUCTS

Jamestown

SA 5491

All Prices Excluding GST

Phone: 0418 641 566

www.catford.com.au sales@catford.com.au

Hydraulic Cylinders

- *TAG Cylinders
- *Short Closed Length
- *Toplink
- *Special Length
- *Log Splitter
- *Chute Jack
- *Landing Legs
- *Phasing
- *Clevises
- *Pins
- *Plugs & Breathers
- *Whoa Stops





Lot 25, Mannanarie Road, Jamestown, South Australia 5491

PO Box 178, Jamestown, South Australia 5491



0418 641 566



sales@catford.com.au

Due to fluctuations in the Australian dollar and the economic climate, please be advised that all prices are subject to change.
Please contact us to confirm pricing.

All prices stated within are exclusive of GST
(All prices are correct as of January 1st 2022, but Catford Engineering reserve the right to change these prices without notice)

Hydraulic Cylinders

CATFORD Jamestown
SA 5491
ENGINEERING
PRODUCTS

Phone: 0418 641 566

www.catford.com.au sales@catford.com.au



AG Cylinders 1.5" Bore	14
AG Cylinders 2.0" Bore	15
AG Cylinders 2.5" Bore	16
AG Cylinders 3.0" Bore	17
AG Cylinders 3.5" Bore	18
AG Cylinders 4.0" Bore	19
AG Cylinders 5.0" Bore	20
AG Toplink Cylinders 2.5" Bore	21
Phasing Cylinders	24
Short Closed Length Cylinders	22
Special Length Cylinders	22
Landing Legs	23
Chute Jack Cylinders	22
Cylinder Attachments	26
Common Swivel Foot	23
Whoa Stop Cylinder Stroke Control Segments	22
Cylinder Pins, Plugs & Breathers	27
Cylinder Seal Kits	27



WARNING: Hydraulic cylinders without a hose burst valve, pilot operated check valve or counter balance valve directly mounted to the cylinder will not meet Australian Standard AS1418.8, nor occupational health & safety rules.

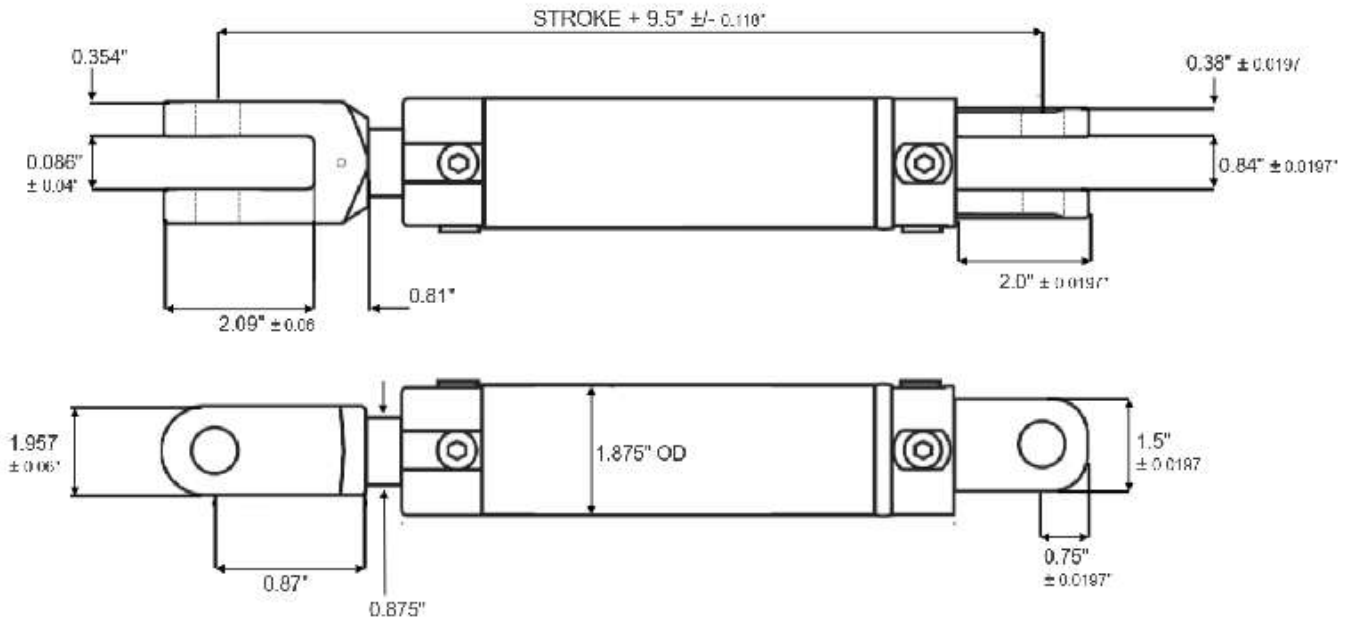


AG Cylinders 1.5" Bore



Dual Port | 2 Year Warranty | Dated Serial Number

Part #	List Price \$	Stroke	Closed		Open		Description
			Inch	mm	Inch	mm	
TAG 1502D	450.00	2"	11.5"	292.1	13.5"	342.9	Maximum Pressure: 3000 psi Ports: 9/16" UNO Pins: 3/4"
TAG 1504D	460.00	4"	13.5"	342.9	17.5"	444.5	
TAG 1506D	470.00	6"	15.5"	393.7	21.5"	546.1	
TAG 1508D	480.00	8"	17.5"	444.5	25.5"	647.7	
TAG 1510D	490.00	10"	19.5"	495.3	29.5"	749.3	
TAG 1512D	510.00	12"	21.5"	546.1	33.5"	850.9	
TAG 1514D	530.00	14"	23.5"	596.9	37.5"	952.5	
TAG 1516D	550.00	16"	25.5"	647.7	41.5"	1054.1	
TAG 1518D	570.00	18"	27.5"	698.5	45.5"	1155.7	
TAG 1520D	590.00	20"	29.5"	749.3	49.5"	1257.3	
TAG 1524D	630.00	24"	33.5"	850.9	57.5"	1460.5	
TAG 1530D	690.00	30"	39.5"	1003.3	69.5"	1765.3	
TAG 1536D	750.00	36"	45.5"	1155.7	81.5"	2070.1	
TAG 1542D	830.00	42"	51.5"	1308.0	93.5"	2375.0	
TAG 1548D	910.00	48"	57.5"	1460.5	105.5"	2679.7	



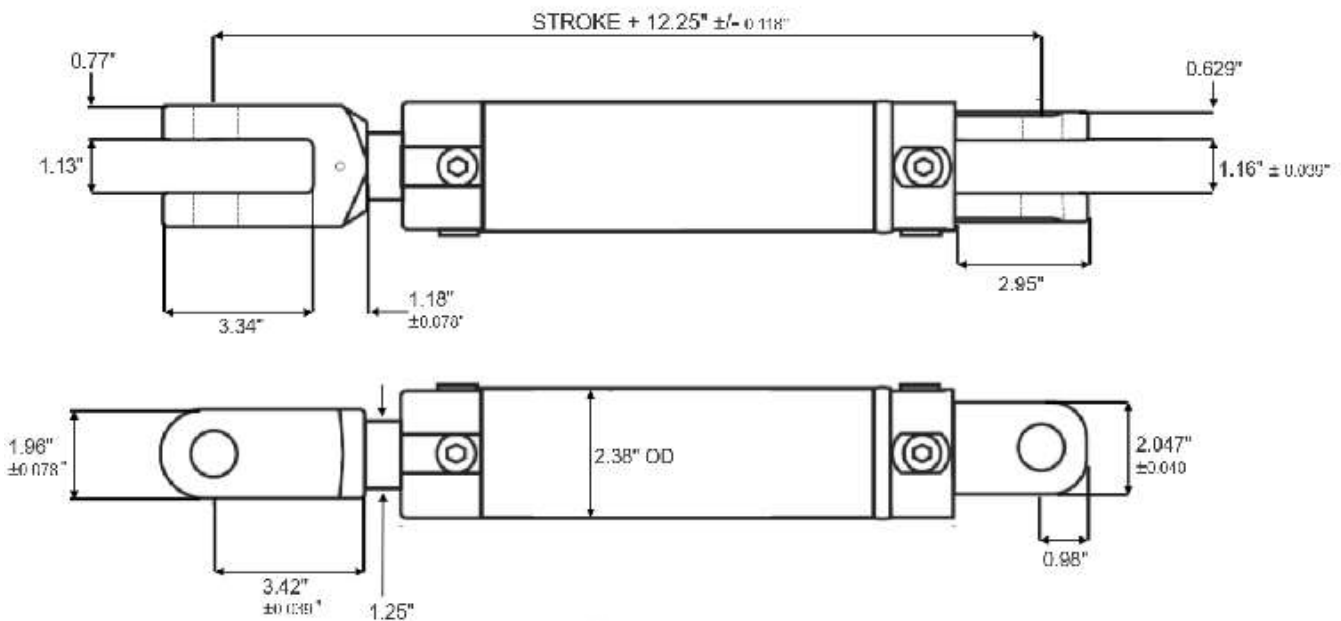
WARNING: Hydraulic cylinders without a hose burst valve, pilot operated check valve or counter balance valve directly mounted to the cylinder will not meet Australian Standard AS1418.8, nor occupational health & safety rules.

AG Cylinders 2.0" Bore



Dual Port | 2 Year Warranty | Dated Serial Number

Part #	List Price \$	Stroke	Closed		Open		Description
			Inch	mm	Inch	mm	
TAG 2002D	430.00	2"	14.25"	361.95	16.25"	412.75	Maximum Pressure: 3000 psi Ports: 9/16" UNO Pins: 1"
TAG 2004D	435.00	4"	16.25"	412.75	20.25"	514.35	
TAG 2006D	440.00	6"	18.25"	463.55	24.25"	615.95	
TAG 2008D	445.00	8"	20.25"	514.35	28.25"	717.55	
TAG 2010D	460.00	10"	22.25"	565.15	32.25"	819.15	
TAG 2012D	480.00	12"	24.25"	615.95	36.25"	920.75	
TAG 2014D	505.00	14"	26.25"	666.75	40.25"	1022.35	
TAG 2016D	525.00	16"	28.25"	717.55	44.25"	1123.95	
TAG 2018D	545.00	18"	30.25"	768.35	48.25"	1225.55	
TAG 2020D	580.00	20"	32.25"	819.15	52.25"	1327.15	
TAG 2022D	615.00	22"	34.25"	869.95	56.25"	1428.75	
TAG 2024D	620.00	24"	36.25"	920.75	60.25"	1530.35	
TAG 2026D	680.00	26"	38.25"	971.55	64.25"	1631.95	
TAG 2028D	705.00	28"	40.25"	1022.35	68.25"	1733.55	
TAG 2030D	725.00	30"	42.25"	1073.15	72.25"	1835.15	
TAG 2036D	765.00	36"	48.25"	1225.55	84.25"	2139.95	
TAG 2042D	895.00	42"	54.25"	1377.95	96.25"	2444.75	
TAG 2048D	940.00	48"	60.25"	1530.35	108.25"	2749.55	
TAG 2054D	1060.00	54"	66.25"	1682.75	120.25"	3054.35	



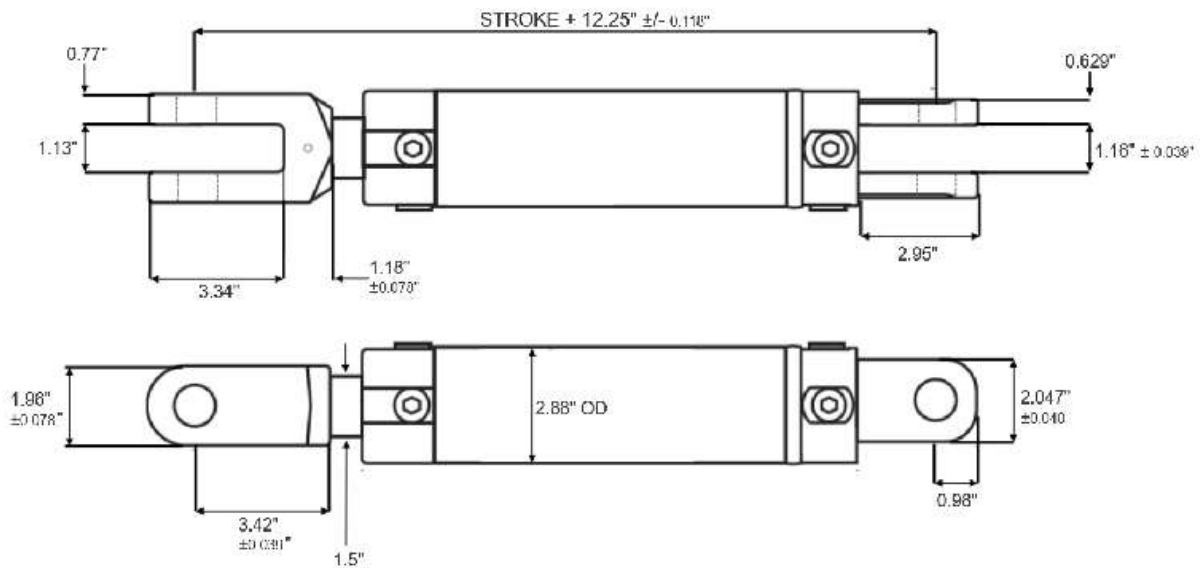
WARNING: Hydraulic cylinders without a hose burst valve, pilot operated check valve or counter balance valve directly mounted to the cylinder will not meet Australian Standard AS1418.8, nor occupational health & safety rules.

AG Cylinders 2.5" Bore



Dual Port | 2 Year Warranty | Dated Serial Number

Part #	List Price \$	Stroke	Closed		Open		Description
			Inch	mm	Inch	mm	
TAG 2504D	435.00	4"	16.25"	412.75	20.25"	514.35	Maximum Pressure: 3000 psi Ports: 3/4" UNO Pins: 1"
TAG 2506D	440.00	6"	18.25"	463.55	24.25"	615.95	
TAG 2508D	445.00	8"	20.25"	514.35	28.25"	714.55	
TAG 2510D	470.00	10"	22.25"	565.15	32.25"	819.15	
TAG 2512D	495.00	12"	24.25"	615.95	36.25"	920.75	
TAG 2514D	520.00	14"	26.25"	666.75	40.25"	1022.25	
TAG 2516D	540.00	16"	28.25"	717.55	44.25"	1123.25	
TAG 2518D	560.00	18"	30.25"	768.35	48.25"	1225.55	
TAG 2520D	600.00	20"	32.25"	819.15	52.25"	1327.15	
TAG 2522D	610.00	22"	34.25"	869.95	56.25"	1428.75	
TAG 2524D	630.00	24"	36.25"	920.75	60.25"	1530.35	
TAG 2526D	686.00	26"	38.25"	971.55	64.25"	1631.95	
TAG 2528D	724.00	28"	40.25"	1022.25	68.25"	1733.55	
TAG 2530D	740.00	30"	42.25"	1073.15	72.25"	1835.15	
TAG 2536D	800.00	36"	48.25"	1225.55	84.25"	2139.95	
TAG 2542D	895.00	42"	54.25"	1377.95	96.25"	2444.75	
TAG 2548D	920.00	48"	60.25"	1530.35	108.25"	2749.55	
TAG 25-1500D	1144.00	1500mm	71.30"	1811.15	130.36"	3311.15	
TAG 25-2000D	1424.00	2000mm	90.98"	2311.1	169.73"	4311.15	
TAG 25-2500D	1704.00	2500mm	110.67"	2811.15	209.10"	5311.15	



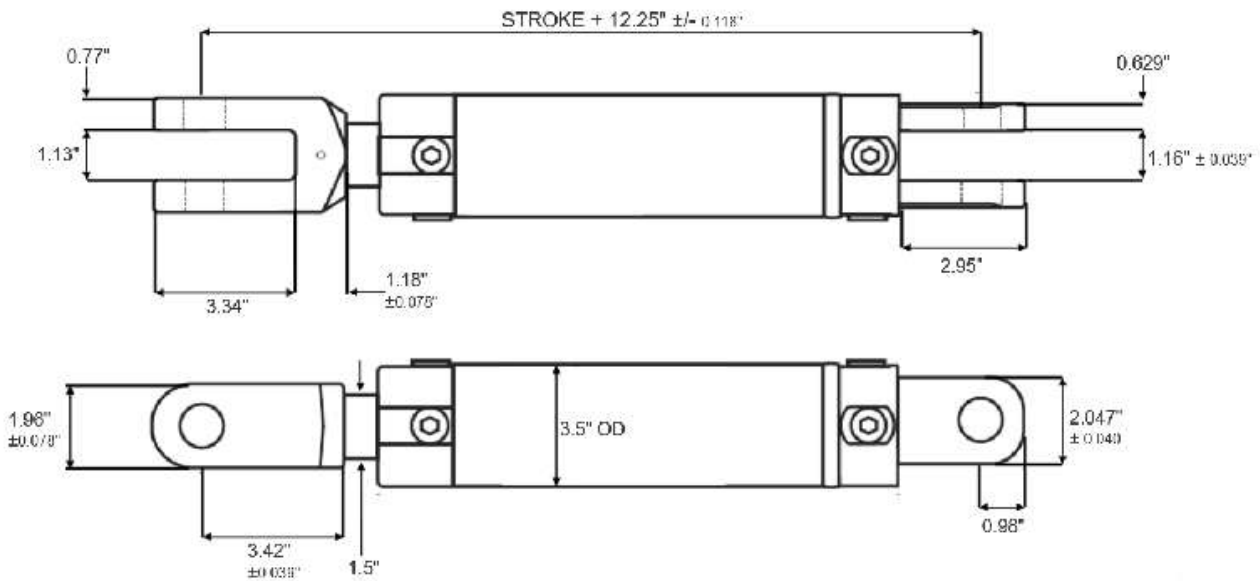
WARNING: Hydraulic cylinders without a hose burst valve, pilot operated check valve or counter balance valve directly mounted to the cylinder will not meet Australian Standard AS1418.8, nor occupational health & safety rules.

AG Cylinders 3.0" Bore



Dual Port | 2 Year Warranty | Dated Serial Number

Part #	List Price \$	Stroke	Closed		Open		Description
			Inch	mm	Inch	mm	
TAG 3004D	520.00	4"	16.25"	412.75	20.25"	514.35	Maximum Pressure: 3000 psi Ports: 3/4" UNO Pins: 1"
TAG 3006D	525.00	6"	18.25"	463.55	24.25"	615.95	
TAG 3008D	530.00	8"	20.25"	514.35	28.25"	714.55	
TAG 3010D	540.00	10"	22.25"	565.15	32.25"	819.15	
TAG 3012D	570.00	12"	24.25"	615.95	36.25"	920.75	
TAG 3014D	620.00	14"	26.25"	666.75	40.25"	1022.25	
TAG 3016D	650.00	16"	28.25"	717.55	44.25"	1123.25	
TAG 3018D	665.00	18"	30.25"	768.35	48.25"	1225.55	
TAG 3020D	715.00	20"	32.25"	819.15	52.25"	1327.15	
TAG 3022D	735.00	22"	34.25"	869.95	56.25"	1428.75	
TAG 3024D	755.00	24"	36.25"	920.75	60.25"	1530.35	
TAG 3026D	795.00	26"	38.25"	971.55	64.25"	1631.95	
TAG 3028D	815.00	28"	40.25"	1022.35	68.25"	1733.55	
TAG 3030D	835.00	30"	42.25"	1073.15	72.25"	1835.15	
TAG 3036D	925.00	36"	48.25"	1225.55	84.25"	2139.95	
TAG 3042D	1025.00	42"	54.25"	1377.95	96.25"	2444.75	
TAG 3048D	1085.00	48"	60.25"	1530.35	108.25"	2749.55	



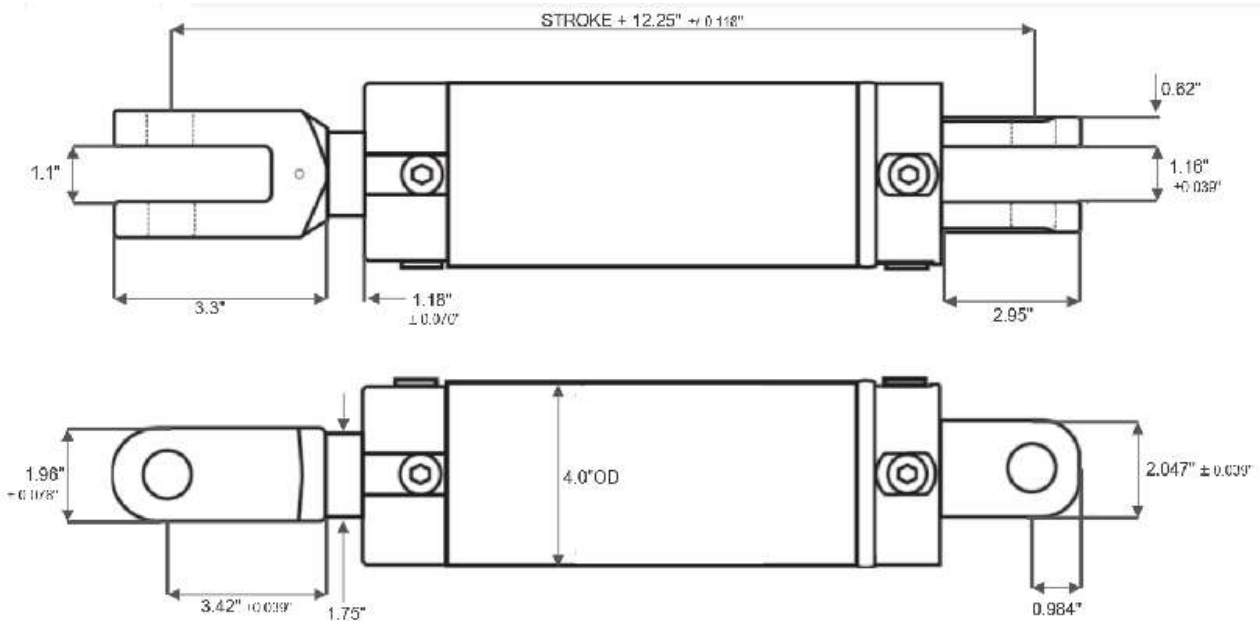
WARNING: Hydraulic cylinders without a hose burst valve, pilot operated check valve or counter balance valve directly mounted to the cylinder will not meet Australian Standard AS1418.8, nor occupational health & safety rules.

AG Cylinders 3.5" Bore



Dual Port | 2 Year Warranty | Dated Serial Number

Part #	List Price \$	Stroke	Closed		Open		Description
			Inch	mm	Inch	mm	
TAG 3506D	660.00	6"	18.25"	463.55	24.25"	615.95	Maximum Pressure: 3000 psi Ports: 3/4" UNO Pins: 1"
TAG 3508D	680.00	8"	20.25"	514.35	28.25"	714.55	
TAG 3510D	700.00	10"	22.25"	565.15	32.25"	819.15	
TAG 3512D	740.00	12"	24.25"	615.95	36.25"	920.75	
TAG 3514D	790.00	14"	26.25"	666.75	40.25"	1022.25	
TAG 3516D	840.00	16"	28.25"	717.55	44.25"	1123.25	
TAG 3518D	880.00	18"	30.25"	768.35	48.25"	1225.55	
TAG 3520D	925.00	20"	32.25"	819.15	52.25"	1327.15	
TAG 3524D	1020.00	24"	36.25"	920.75	60.25"	1530.35	
NEW TAG 3526D	1050.00	26"	38.25"	971.50	64.25"	1631.95	
NEW TAG 3528D	1090.00	28"	40.25"	1022.35	68.25"	1733.55	
TAG 3530D	1140.00	30"	42.25"	1073.15	72.25"	1835.15	
TAG 3536D	1280.00	36"	48.25"	1225.55	84.25"	2139.95	
TAG 3542D	1450.00	42"	54.25"	1377.95	96.25"	2444.75	
TAG 3548D	1530.00	48"	60.25"	1530.35	108.25"	2749.55	



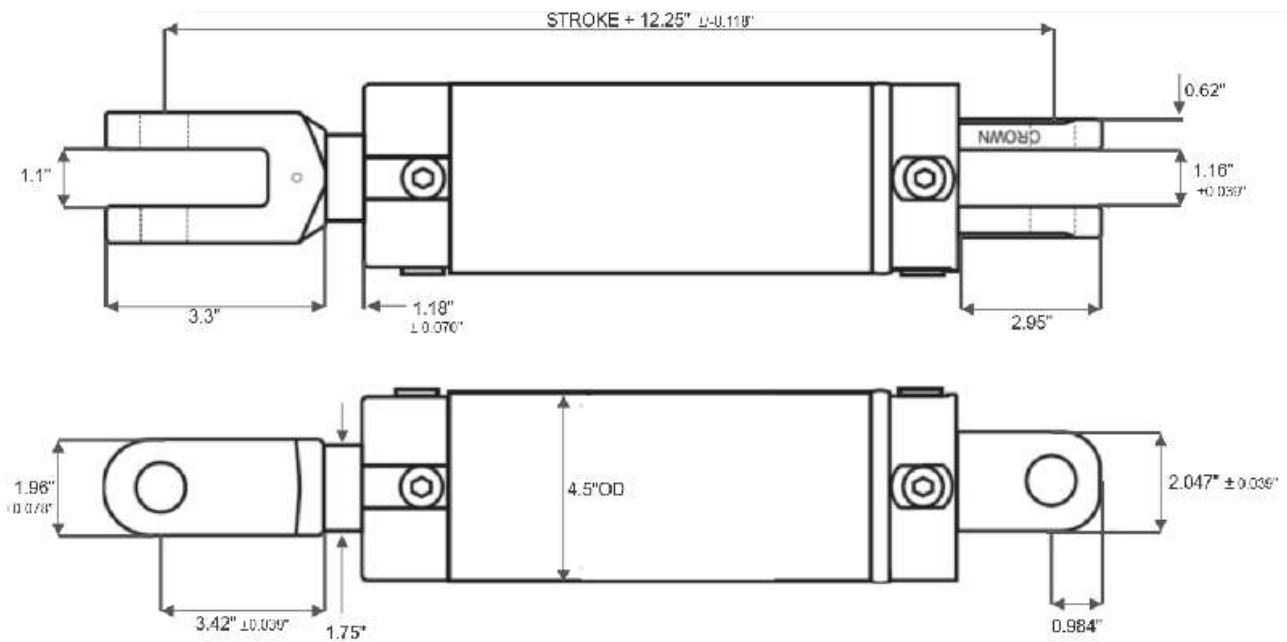
WARNING: Hydraulic cylinders without a hose burst valve, pilot operated check valve or counter balance valve directly mounted to the cylinder will not meet Australian Standard AS1418.8, nor occupational health & safety rules.

AG Cylinders 4.0" Bore



Dual Port | 2 Year Warranty | Dated Serial Number

Part #	List Price \$	Stroke	Rod	Closed		Open		Description
				Inch	mm	Inch	mm	
TAG 4004D	760.00	4"	1.75"	16.25"	412.75	20.25"	514.35	Maximum Pressure: 3000 psi Ports: 3/4" UNO Pins: 1"
TAG 4006D	780.00	6"	1.75"	18.25"	463.55	24.25"	615.95	
TAG 4008D	800.00	8"	1.75"	20.25"	514.35	28.25"	717.55	
TAG 4010D	855.00	10"	1.75"	22.25"	565.15	32.25"	819.15	
TAG 4012D	880.00	12"	1.75"	24.25"	615.95	36.25"	920.75	
TAG 4016D	990.00	16"	1.75"	28.25"	717.55	44.25"	1123.95	
TAG 4018D	1040.00	18"	1.75"	30.25"	768.35	48.25"	1225.55	
TAG 4020D	1100.00	20"	1.75"	32.25"	819.15	52.25"	1327.15	
TAG 4024D	1195.00	24"	1.75"	36.25"	920.75	60.25"	1530.35	
TAG 4030D	1360.00	30"	1.75"	42.25"	1073.15	72.25"	1835.15	
TAG 4036D	1510.00	36"	1.75"	48.25"	1225.55	84.25"	2139.95	
TAG 4042D	1660.00	42"	1.75"	54.25"	1377.95	96.25"	2444.75	
TAG 4048D	1820.00	48"	1.75"	60.25"	1530.35	108.25"	2749.55	
TAG 4012D-200	950.00	12"	2"	24.25"	615.95	36.25"	920.75	
TAG 4016D-200	960.00	16"	2"	28.25"	717.55	44.25"	1123.95	
TAG 4018D-200	1110.00	18"	2"	30.25"	768.35	48.25"	1225.55	
TAG 4024D-200	1265.00	24"	2"	36.25"	920.75	60.25"	1530.35	



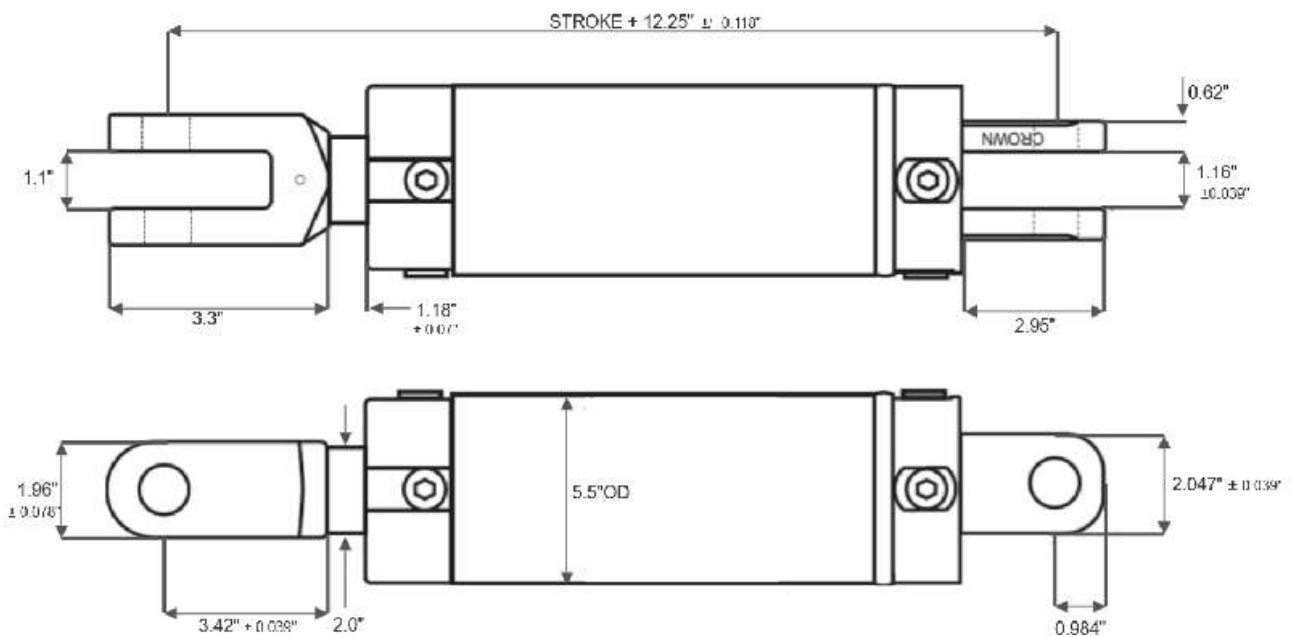
WARNING: Hydraulic cylinders without a hose burst valve, pilot operated check valve or counter balance valve directly mounted to the cylinder will not meet Australian Standard AS1418.8, nor occupational health & safety rules.

AG Cylinders 5.0" Bore



Dual Port | 2 Year Warranty | Dated Serial Number

Part #	List Price \$	Stroke	Closed		Open		Description
			Inch	mm	Inch	mm	
TAG 5008D	1030.00	8"	20.25"	514.35	28.25"	717.55	Maximum Pressure: 3000 psi Ports: 3/4" UNO Pins: 1"
TAG 5012D	1150.00	12"	24.25"	615.95	36.25"	920.75	
TAG 5016D	1270.00	16"	28.25"	717.55	44.25"	1123.95	
TAG 5018D	1320.00	18"	30.25"	768.35	48.25"	1225.55	
TAG 5020D	1360.00	20"	32.25"	819.15	52.25"	1327.15	
TAG 5024D	1470.00	24"	36.25"	920.75	60.25"	1530.35	
TAG 5030D	1600.00	30"	42.25"	1073.15	72.25"	1835.15	
TAG 5036D	1710.00	36"	48.25"	1225.55	84.25"	2139.95	
TAG 5048D	1980.00	48"	60.25"	1530.35	108.25"	2749.55	



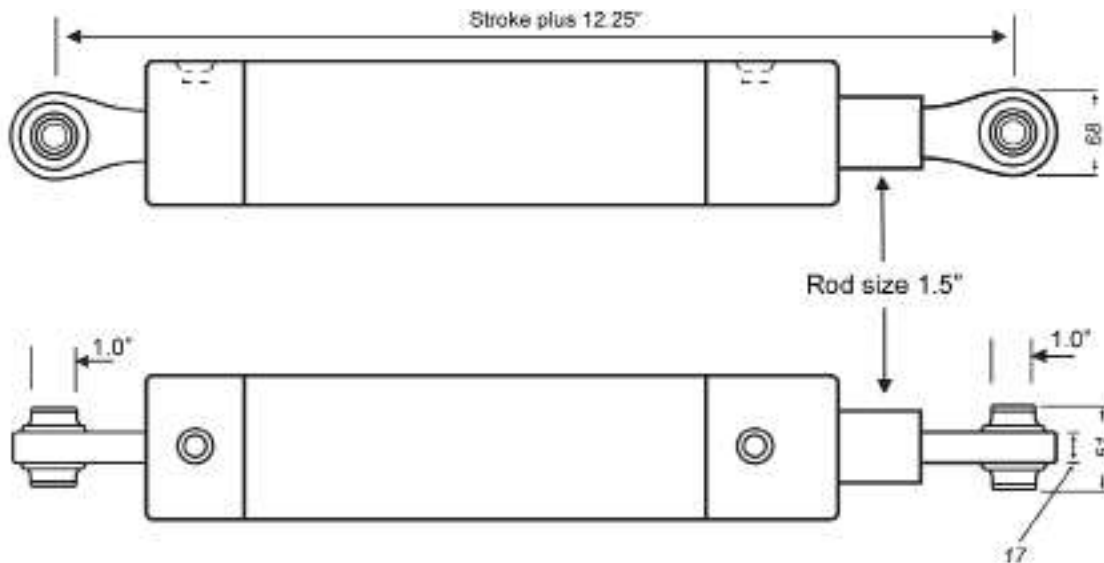
WARNING: Hydraulic cylinders without a hose burst valve, pilot operated check valve or counter balance valve directly mounted to the cylinder will not meet Australian Standard AS1418.8, nor occupational health & safety rules.

AG Toplink Cylinders 2.5" Bore



Dual Port | 2 Year Warranty | Dated Serial Number

Part #	List Price \$	Stroke	Closed		Open		Description
			Inch	mm	Inch	mm	
TAG 2504DT2	510.00	4"	16.25"	412.75	20.25"	514.35	Maximum Pressure: 3000 psi Ports: 3/4" UNO Pins: 1"
TAG 2506DT2	520.00	6"	18.25"	463.55	24.25"	615.95	
TAG 2508DT2	530.00	8"	20.25"	514.35	28.25"	717.55	
TAG 2510DT2	540.00	10"	22.25"	565.15	32.25"	819.15	
TAG 2512DT2	550.00	12"	24.25"	615.95	36.25"	920.75	



WARNING: Hydraulic cylinders without a hose burst valve, pilot operated check valve or counter balance valve directly mounted to the cylinder will not meet Australian Standard AS1418.8, nor occupational health & safety rules.

2" Short Closed Length Cylinders



Part #	List Price \$	Stroke	Rod	Closed		Open		Description
				Inch	mm	Inch	mm	
TAG 2004DSHCC	468.00	4"	1"	13.5	342.9	17.5	444.5	Maximum Pressure: 3000 psi Ports: 3/4" UNO Pins: 1"
TAG 2006DSHCC	478.00	6"	1"	15.5	393.7	21.5	546.1	
TAG 2008DSHCC	488.00	8"	1"	17.5	444.5	25.5	647.7	
TAG 2012DSHCC	518.00	12"	1"	21.5	546.1	33.5	850.9	
TAG 2016DSHCC	568.00	16"	1"	25.5	647.7	41.5	1054.1	

Special Length Cylinders



Part #	List Price \$	Stroke	Rod	Closed		Open		Description
				Inch	mm	Inch	mm	
TAG 25-1500D	1144.00	1500mm	1.1/2"	71.3	1811.15	130.4	3311.15	Maximum Pressure: 3000 psi Ports: 3/4" UNO Pins: 1"
TAG 25-2000D	1424.00	2000mm	1.1/2"	91.0	2311.15	169.7	4311.15	
TAG 25-2500D	1704.00	2500mm	1.1/2"	110.7	2811.15	209.1	5311.15	
TAG 25-3000D	1984.00	3000mm	1.1/2"	130.4	3311.15	248.5	6311.15	
TAG 30-1800D-200	2181.00	1800mm	2"	83.1	2111.15	154.0	3911.15	
TAG 30-1900D-200	2362.00	1900mm	2"	87.1	2211.15	161.9	4111.15	
TAG 35-2000D	2362.00	2000mm	1.3/4"	91.0	2311.15	169.7	4311.15	

Concrete Truck Chute Jack Cylinders with Check Valve



Part #	List Price \$	Stroke	Rod	Closed	Open	Max Pressure	Ports	Pins
TCB30300	725.00	300mm	1.1/4"	564mm	864mm	3250psi	9/16"	16mm eyes



Whoa Stop Cylinder Stroke Control Segments



Part #	List Price \$	For Shaft Sizes	Set Contains Sizes
WA1090	128.00	1.128" > 1.500"	0.875" - 1.000" - 1.250" - 1.500"
WA1087	250.00	1.750" > 2.000"	1.000" - 1.500" - 2.000" - 4.250"

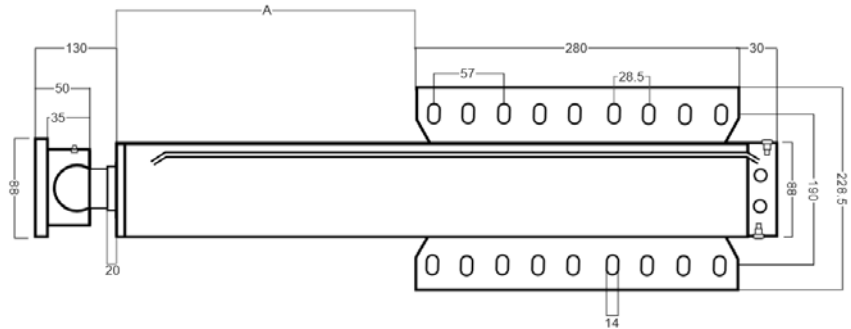


Landing Legs



Dual Pilot Check Valves | 2 Year Warranty | Dated Serial Number

Part #	List Price \$	Rod	Bore	Stroke	A	Max Pressure	Ports
TF301620LEG-S	1455.00	2"	3"	16"	245mm	3000psi	9/16" UNO
TF302020LEG-S	1590.00	2"	3"	20"	346mm	3000psi	9/16" UNO
TF302420LEG-S	1670.00	2"	3"	24"	480mm	3000psi	9/16" UNO



Swivel Foot

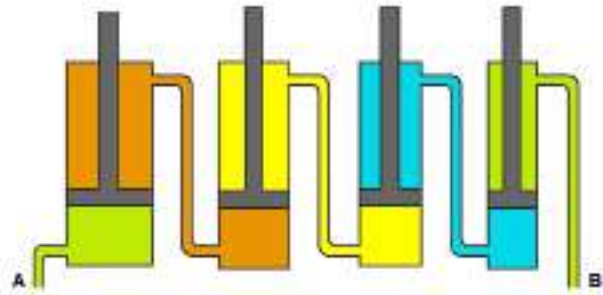


Part #	List Price \$	Description
FOOTMTFEMALE50	303.00	Fits any of our hydraulic cylinders (1.1/4" UNF thread)



All our hydraulic phasing cylinders have:

- dual ports
- dated serial numbers
- 2 year warranty
- standard clevis and rod



Phasing Cylinders - 8" Stroke



Part #	List Price \$	Bore	Stroke	Rod	Weight (kg)	Closed		Open	
						Inch	mm	Inch	mm
TVP300008125	780.00	3.00"	8"	1.25"	13	20.25	514.35	28.25	717.55
TVP325008125	895.00	3.25"	8"	1.25"	16				
TVP350008125	942.00	3.50"	8"	1.25"	18				
TVP3750081375	1022.00	3.75"	8"	1.375"	20				
TVP4000081375	999.00	4.00"	8"	1.375"	22				
TVP4250081375	1103.00	4.25"	8"	1.375"	24				
TVP450008150	1190.00	4.50"	8"	1.50"	26				
TVP475008150	1368.00	4.75"	8"	1.50"	28				
TVP500008150	1432.00	5.00"	8"	1.50"	30				

Phasing Cylinders - 12" Stroke



Part #	List Price \$	Bore	Stroke	Rod	Weight (kg)	Closed		Open	
						Inch	mm	Inch	mm
TVP300012125	860.00	3.00"	12"	1.25"	16	24.25	615.95	36.25	920.75
TVP325012125	970.00	3.25"	12"	1.25"	19				
TVP350012125	1005.00	3.50"	12"	1.25"	23				
TVP3750121375	1103.00	3.75"	12"	1.375"	24				
TVP4000121375	1086.00	4.00"	12"	1.375"	25				
TVP4250121375	1276.00	4.25"	12"	1.375"	26				
TVP450012150	1363.00	4.50"	12"	1.50"	30				
TVP475012150	1571.00	4.75"	12"	1.50"	32				
TVP500012150	1709.00	5.00"	12"	1.50"	34				

Phasing Cylinders - 16" Stroke



Part #	List Price \$	Bore	Stroke	Rod	Weight (kg)	Closed		Open	
						Inch	mm	Inch	mm
TVP300016125	913.00	3.00"	16"	1.25"	18	28.25	717.55	44.25	1123.95
TVP325016125	1057.00	3.25"	16"	1.25"	21				
TVP350016125	1103.00	3.50"	16"	1.25"	24				
TVP3750161375	1196.00	3.75"	16"	1.375"	29				
TVP4000161375	1190.00	4.00"	16"	1.375"	30				
TVP4250161375	1294.00	4.25"	16"	1.375"	31				
TVP450016150	1398.00	4.50"	16"	1.50"	33				
TVP475016150	1629.00	4.75"	16"	1.50"	35				
TVP500016150	1733.00	5.00"	16"	1.50"	36				



Phasing Cylinders - 18" Stroke

Part #	List Price \$	Bore	Stroke	Rod	Weight (kg)	Closed		Open	
						Inch	mm	Inch	mm
TVP300018125	919.00	3.00"	18"	1.25"	19	30.25	768.35	48.25	1225.55
TVP325018125	1057.00	3.25"	18"	1.25"	22				
TVP350018125	1126.00	3.50"	18"	1.25"	25				
TVP3750181375	1230.00	3.75"	18"	1.375"	30				
TVP4000181375	1201.00	4.00"	18"	1.375"	31				
TVP4250181375	1363.00	4.25"	18"	1.375"	32				
TVP450018150	1415.00	4.50"	18"	1.50"	34				
TVP475018150	1652.00	4.75"	18"	1.50"	36				
TVP500018150	1756.00	5.00"	18"	1.50"	38				

Phasing Cylinders - 24" Stroke

Part #	List Price \$	Bore	Stroke	Rod	Weight (kg)	Closed		Open	
						Inch	mm	Inch	mm
TVP300024125	965.00	3.00"	24"	1.25"	22	36.25	920.75	60.25	1530.35
TVP325024125	1184.00	3.25"	24"	1.25"	25				
TVP350024125	1299.00	3.50"	24"	1.25"	25				
TVP3750241375	1386.00	3.75"	24"	1.375"	33				
TVP4000241375	1329.00	4.00"	24"	1.375"	34				
TVP4250241375	1571.00	4.25"	24"	1.375"	36				
TVP450024150	1698.00	4.50"	24"	1.50"	37				
TVP475024150	1976.00	4.75"	24"	1.50"	39				
TVP500024150	2241.00	5.00"	24"	1.50"	41				

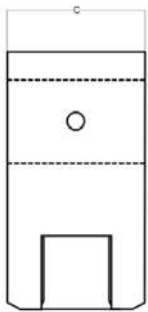
Phasing Cylinders - 36" Stroke

Part #	List Price \$	Bore	Stroke	Rod	Weight (kg)	Closed		Open	
						Inch	mm	Inch	mm
TVP300036125	1484.00	3.00"	36"	1.25"	29	48.25	1225.55	84.25	2139.95
TVP325036125	1854.00	3.25"	36"	1.25"	31				
TVP350036125	1860.00	3.50"	36"	1.25"	38				
TVP3750361375	2114.00	3.75"	36"	1.375"	40				
TVP4000361375	2056.00	4.00"	36"	1.375"	42				
TVP4250361375	2374.00	4.25"	36"	1.375"	44				
TVP450036150	2379.00	4.50"	36"	1.50"	47				
TVP475036150	2489.00	4.75"	36"	1.50"	51				
TVP500036150	2489.00	5.00"	36"	1.50"	54				

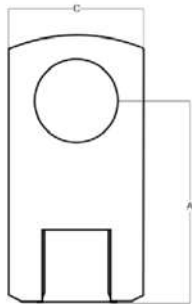
Cylinder Attachments

Part #	List Price \$	Type	Thread	Pin Size	Material	Dimensions (mm)			Pin To Suit
						A	B	C	
CL075	131.00	Female Clevis	3/4" UNF	0.75"	Steel	51	21	40	CLPN075-46.5
CL100-1.125	151.00	Female Clevis	1.1/8" UNF	1.0"	Cast Iron	87	28.5	62	CLPN1-77
CL100-82	154.00	Female Clevis	1.1/4" UNF	1.0"	SG Iron	82	28.5	62	CLPN1-77
NEW CL100	154.00	Female Clevis	1.1/4" UNF	1.0"	SG Iron	87	28.5	62	CLPN1-77
CL100AD	173.00	Adj. Female Clevis	1.1/4" UNF	1.0"	SG Iron	85.5	29	69	CLPN1-94SC
CL100STEEL	173.00	Female Clevis	1.1/4" UNF	1.0"	Steel	87	28.6	62	CLPN1-77
CL125CAST	260.00	Female Clevis	1.1/4" UNF	1.25"	SG Iron	87	28.5	62	CLPN125-79
CL150	211.00	Block End	1.1/4" UNF	1.5" *	Steel	87	-	63	-
CLM075	172.00	Block End	3/4" UNF	0.75"	Steel	51	-	40	-
CLM100	202.00	Block End	1.1/4" UNF	1.0"	Steel	87	-	50	-
B310	93.00	Ball End	Weld on	0.75"	Steel	-	-	-	-
B311	93.00	Ball End	Weld on	1.0"	Steel	-	-	-	-

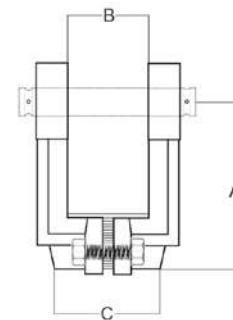
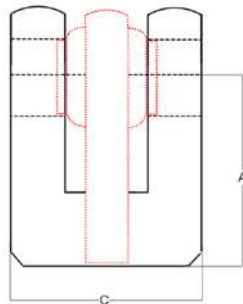
* Reduction bushes to 1" are supplied with CL150 (can also be bushed to other sizes). Grease port included.



Block End Clevis



Female Clevis



CL100AD - Adjustable Female Clevis



CL075



CL100



CL100S



CL100STEEL



CL125



CL150



B310



B311

Other cylinder components also stocked (including glands, pistons, endcaps) - contact us for more information

Cylinder Pins

Part #	List Price \$	Dimensions (mm)		
		A	B	C
CLPN075-46.5	45.00	3/4"	46.3mm	57.5mm
CLPN1-69	41.00	1"	69mm	81mm
CLPN1-60	41.00	1"	60mm	72mm
CLPN1-77	41.00	1"	78mm	90mm
CLPN1-94SC	58.00	1"	77.5mm	94.5mm
CLPN125-87	60.00	1.1/4"	78mm	93mm

Pin Selection Guide

Cylinder Size	Size	Clevis Pin	Base End Pin
TAG 15	3/4"	CLPN075-46.5	CLPN075-46.5
TAG 20 SHORT CC	3/4"	CLPN075-46.5	CLPN075-46.5
TAG 20	1"	CLPN1-69	CLPN1-60
TAG 25	1"	CLPN1-69	CLPN1-69
TAG 30	1"	CLPN1-76	CLPN1-69
TAG 35	1"	CLPN1-76	CLPN1-77
TAG 40	1"	CLPN1-76	CLPN1-77
TAG 50	1"	CLPN1-76	CLPN1-77



CLPN125/CLPN1



CLPN075

Cylinder Breathers

Part #	List Price \$	Description
A9431	37.00	Cylinder breather - brass cloth mesh filter - aluminium - 9/16-18 UNO thread
16329A	42.00	Cylinder breather - brass cloth mesh filter - aluminium - 3/4-16 UNO thread

Cylinder Seal Kits

Part #	List Price \$	Cylinder Type	Bore Size	Shaft Size
SK15087CAT	119.00	TAG Cylinder	1.5"	0.875"
SK20125CAT	131.00	TAG Cylinder	2.0"	1.25"
SK2515CAT	131.00	TAG Cylinder	2.5"	1.5"
SK3015CAT	142.00	TAG Cylinder	3.0"	1.5"
SK35175CAT	144.00	TAG Cylinder	3.5"	1.75"
SK40175CAT	161.00	TAG Cylinder	4.0"	1.75"
SK5020CAT	216.00	TAG Cylinder	5.0"	2.0"

