

# Flow Valve

**CATFORD**  
**ENGINEERING**  
PRODUCTS

Jamestown  
SA 5491

Phone: 0418 641 566  
www.catford.com.au sales@catford.com.au

**QFV**



**\*Material – Steel**

**\*TECHNICAL**

Body - Carbon steel

Handle - Aluminium

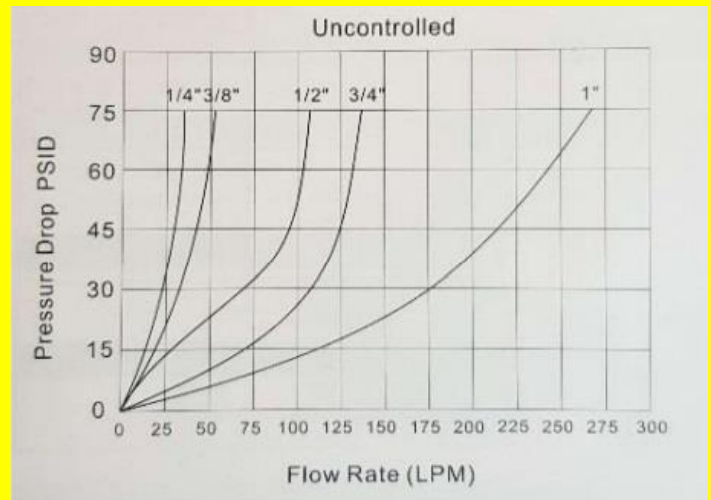
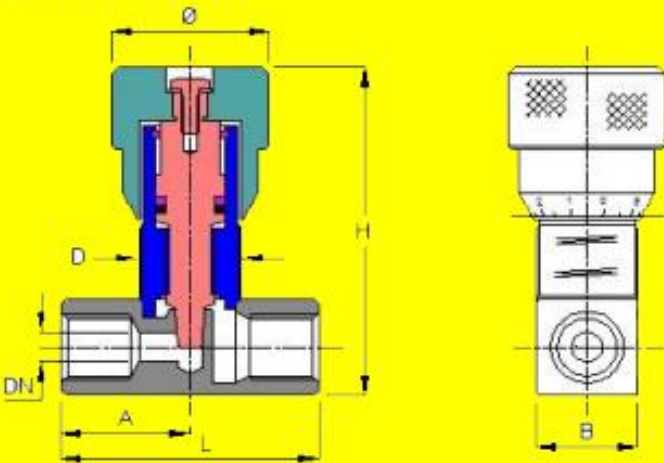
Plating - Standard Zinc CR3

- Option Zinc Nickel

Crack Pressure

- Standard 0.35 bar

## DIMENSIONS



Part No	Thread BSP	L mm	D Thread	E mm	H mm	W.P. BAR	Price Inc. GST
QFV-04	1/4-19	50	M20*1.0	30	66	350	\$85
QFV-06	3/8-19	57	M25*1.0	30	72	350	\$90
QFV-08	1/2-14	67	M30*1.5	45	93	350	\$105
QFV-12	3/4-14	83	M35*1.5	45	105	350	\$155
QFV-16	1-11	93	M35*1.5	45	115	350	\$215

# Flow Valve with Check

**CATFORD**  
**ENGINEERING**  
PRODUCTS

Jamestown  
SA 5491

Phone: 0418 641 566  
www.catford.com.au sales@catford.com.au

**QFV1**



**\*Material – Steel**

**\*TECHNICAL**

Body - Carbon steel

Handle - Aluminium

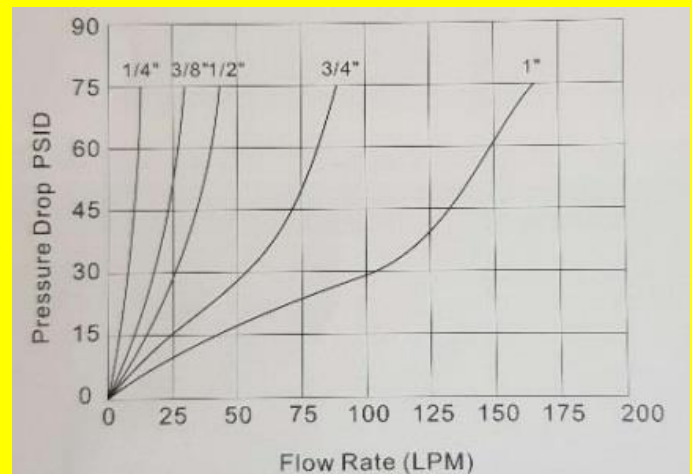
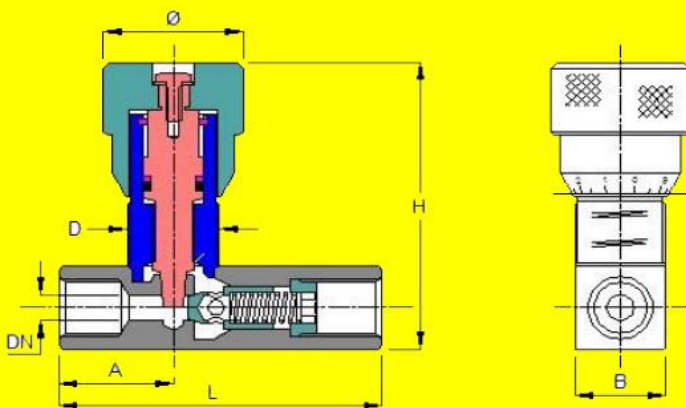
Plating - Standard Zinc CR3

- Option Zinc Nickel

Crack Pressure

- Standard 0.35 bar

## DIMENSIONS



Part No	Thread BSPP	L mm	D Thread	E mm	H mm	W.P. BAR	Price Inc. GST
QFV1-04	1/4-19	69	M20*1.0	30	66	350	\$96
QFV1-06	3/8-19	83	M25*1.0	30	72	350	\$105
QFV1-08	1/2-14	95	M30*1.5	45	93	350	\$120
QFV1-12	3/4-14	117	M35*1.5	45	105	350	\$186
QFV1-16	1-11	138	M35*1.5	45	115	350	\$275