

CATFORD ENGINEERING PRODUCTS

Jamestown
SA 5491

All Prices Excluding GST

Phone: 0418 641 566

www.catford.com.au sales@catford.com.au

Hydraulic Cylinders

- *TAG Cylinders
- *Short Closed Length
- *Toplink
- *Special Length
- *Log Splitter
- *Chute Jack
- *Landing Legs
- *Phasing
- *Clevises
- *Pins
- *Plugs & Breathers
- *Whoa Stops





Lot 25, Mannanarie Road, Jamestown, South Australia 5491

PO Box 178, Jamestown, South Australia 5491



0418 641 566



sales@catford.com.au

Due to fluctuations in the Australian dollar and the economic climate, please be advised that all prices are subject to change.
Please contact us to confirm pricing.

All prices stated within are exclusive of GST
(All prices are correct as of January 1st 2024, but Catford Engineering reserve the right to change these prices without notice)

Hydraulic Cylinders

CATFORD Jamestown
SA 5491
ENGINEERING
PRODUCTS

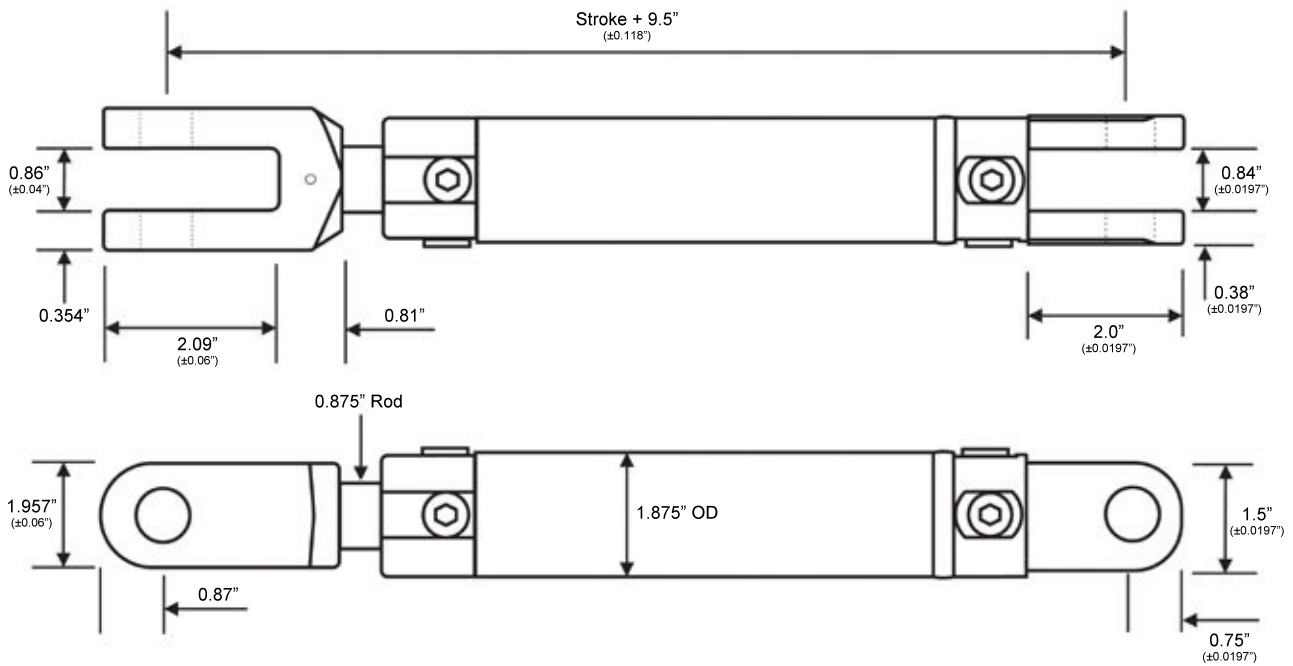
Phone: 0418 641 566

www.catford.com.au sales@catford.com.au

AG Cylinders 1.5" Bore

Dual Port | 2 Year Warranty | Dated Serial Number

Part #	List Price \$	Stroke	Closed		Open		Description
			Inch	mm	Inch	mm	
TAG 1502D	515.00	2"	11.5"	292.1	13.5"	342.9	Maximum Pressure: 3000 psi Ports: 9/16" UNO Pins: 3/4"
TAG 1504D	527.00	4"	13.5"	342.9	17.5"	444.5	
TAG 1506D	539.00	6"	15.5"	393.7	21.5"	546.1	
TAG 1508D	549.00	8"	17.5"	444.5	25.5"	647.7	
TAG 1510D	561.00	10"	19.5"	495.3	29.5"	749.3	
TAG 1512D	584.00	12"	21.5"	546.1	33.5"	850.9	
TAG 1514D	606.00	14"	23.5"	596.9	37.5"	952.5	
TAG 1516D	630.00	16"	25.5"	647.7	41.5"	1054.1	
TAG 1518D	653.00	18"	27.5"	698.5	45.5"	1155.7	
TAG 1520D	675.00	20"	29.5"	749.3	49.5"	1257.3	
TAG 1524D	721.00	24"	33.5"	850.9	57.5"	1460.5	
TAG 1530D	790.00	30"	39.5"	1003.3	69.5"	1765.3	
TAG 1536D	859.00	36"	45.5"	1155.7	81.5"	2070.1	
TAG 1542D	950.00	42"	51.5"	1308.0	93.5"	2375.0	
TAG 1548D	1042.00	48"	57.5"	1460.5	105.5"	2679.7	

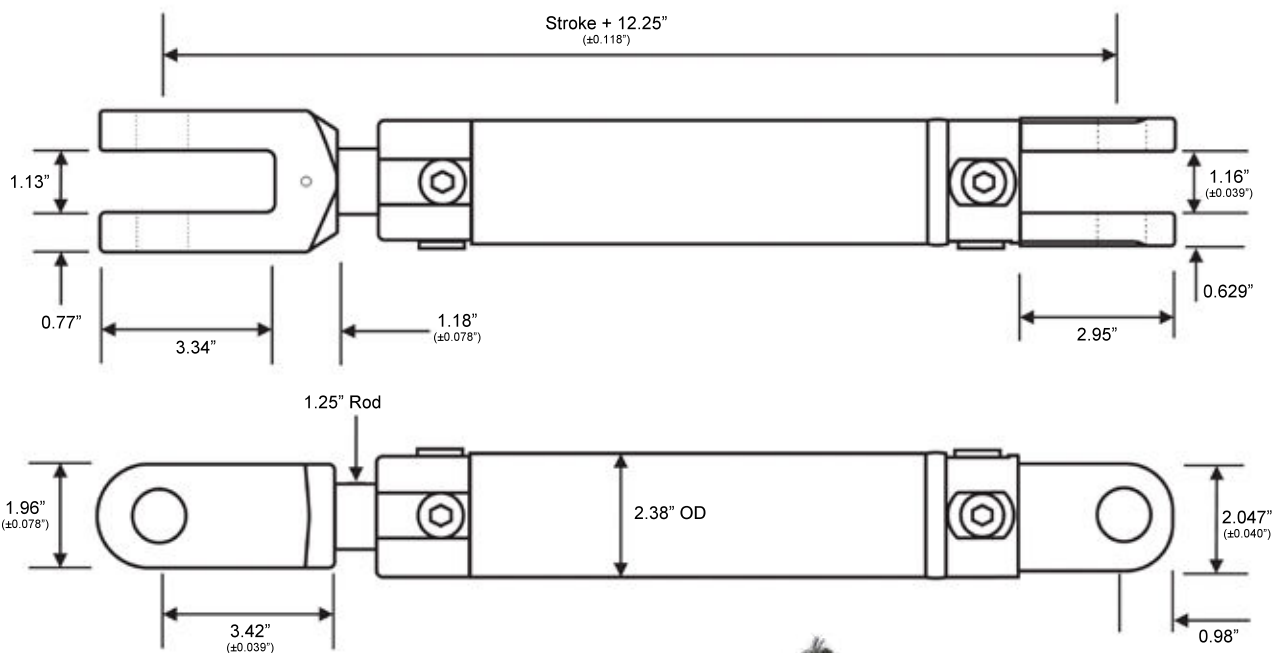


WARNING: Hydraulic cylinders without a hose burst valve, pilot operated check valve or counter balance valve directly mounted to the cylinder will not meet Australian Standard AS1418.8, nor occupational health & safety rules.

AG Cylinders 2.0" Bore

Dual Port | 2 Year Warranty | Dated Serial Number

Part #	List Price \$	Stroke	Closed		Open		Description
			Inch	mm	Inch	mm	
TAG 2002D	492.00	2"	14.25"	361.95	16.25"	412.75	Maximum Pressure: 3000 psi Ports: 9/16" UNO Pins: 1"
TAG 2004D	498.00	4"	16.25"	412.75	20.25"	514.35	
TAG 2006D	504.00	6"	18.25"	463.55	24.25"	615.95	
TAG 2008D	510.00	8"	20.25"	514.35	28.25"	717.55	
TAG 2010D	527.00	10"	22.25"	565.15	32.25"	819.15	
TAG 2012D	549.00	12"	24.25"	615.95	36.25"	920.75	
TAG 2014D	578.00	14"	26.25"	666.75	40.25"	1022.35	
TAG 2016D	601.00	16"	28.25"	717.55	44.25"	1123.95	
TAG 2018D	624.00	18"	30.25"	768.35	48.25"	1225.55	
TAG 2020D	664.00	20"	32.25"	819.15	52.25"	1327.15	
TAG 2022D	704.00	22"	34.25"	869.95	56.25"	1428.75	
TAG 2024D	710.00	24"	36.25"	920.75	60.25"	1530.35	
TAG 2026D	778.00	26"	38.25"	971.55	64.25"	1631.95	
TAG 2028D	807.00	28"	40.25"	1022.35	68.25"	1733.55	
TAG 2030D	830.00	30"	42.25"	1073.15	72.25"	1835.15	
TAG 2036D	876.00	36"	48.25"	1225.55	84.25"	2139.95	
TAG 2042D	1025.00	42"	54.25"	1377.95	96.25"	2444.75	
TAG 2048D	1076.00	48"	60.25"	1530.35	108.25"	2749.55	
TAG 2054D	1214.00	54"	66.25"	1682.75	120.25"	3054.35	

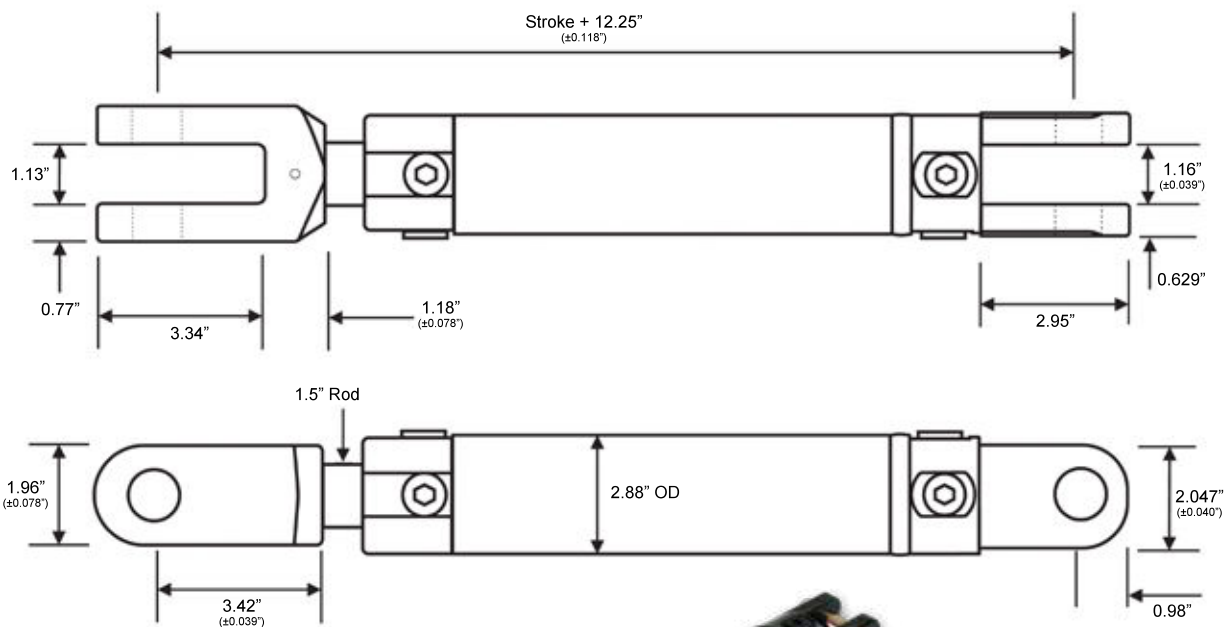


WARNING: Hydraulic cylinders without a hose burst valve, pilot operated check valve or counter balance valve directly mounted to the cylinder will not meet Australian Standard AS1418.8, nor occupational health & safety rules.

AG Cylinders 2.5" Bore

Dual Port | 2 Year Warranty | Dated Serial Number

Part #	List Price \$	Stroke	Closed		Open		Description
			Inch	mm	Inch	mm	
TAG 2504D	498.00	4"	16.25"	412.75	20.25"	514.35	Maximum Pressure: 3000 psi Ports: 3/4" UNO Pins: 1"
TAG 2506D	504.00	6"	18.25"	463.55	24.25"	615.95	
TAG 2508D	510.00	8"	20.25"	514.35	28.25"	717.55	
TAG 2510D	539.00	10"	22.25"	565.15	32.25"	819.15	
TAG 2512D	567.00	12"	24.25"	615.95	36.25"	920.75	
TAG 2514D	596.00	14"	26.25"	666.75	40.25"	1022.25	
TAG 2516D	618.00	16"	28.25"	717.55	44.25"	1123.25	
TAG 2518D	641.00	18"	30.25"	768.35	48.25"	1225.55	
TAG 2520D	687.00	20"	32.25"	819.15	52.25"	1327.15	
TAG 2522D	699.00	22"	34.25"	869.95	56.25"	1428.75	
TAG 2524D	721.00	24"	36.25"	920.75	60.25"	1530.35	
TAG 2526D	786.00	26"	38.25"	971.55	64.25"	1631.95	
TAG 2528D	829.00	28"	40.25"	1022.25	68.25"	1733.55	
TAG 2530D	847.00	30"	42.25"	1073.15	72.25"	1835.15	
TAG 2536D	916.00	36"	48.25"	1225.55	84.25"	2139.95	
TAG 2542D	1025.00	42"	54.25"	1377.95	96.25"	2444.75	
TAG 2548D	1054.00	48"	60.25"	1530.35	108.25"	2749.55	
TAG 25-1500D	1620.00	1500mm	71.30"	1811.15	130.36"	3311.15	
TAG 25-2000D	1891.00	2000mm	90.98"	2311.1	169.73"	4311.15	
TAG 25-2500D	2073.00	2500mm	110.67"	2811.15	209.10"	5311.15	
TAG 25-3000D	2310.00	3000mm	130.40"	3311.15	248.50"	6311.15	

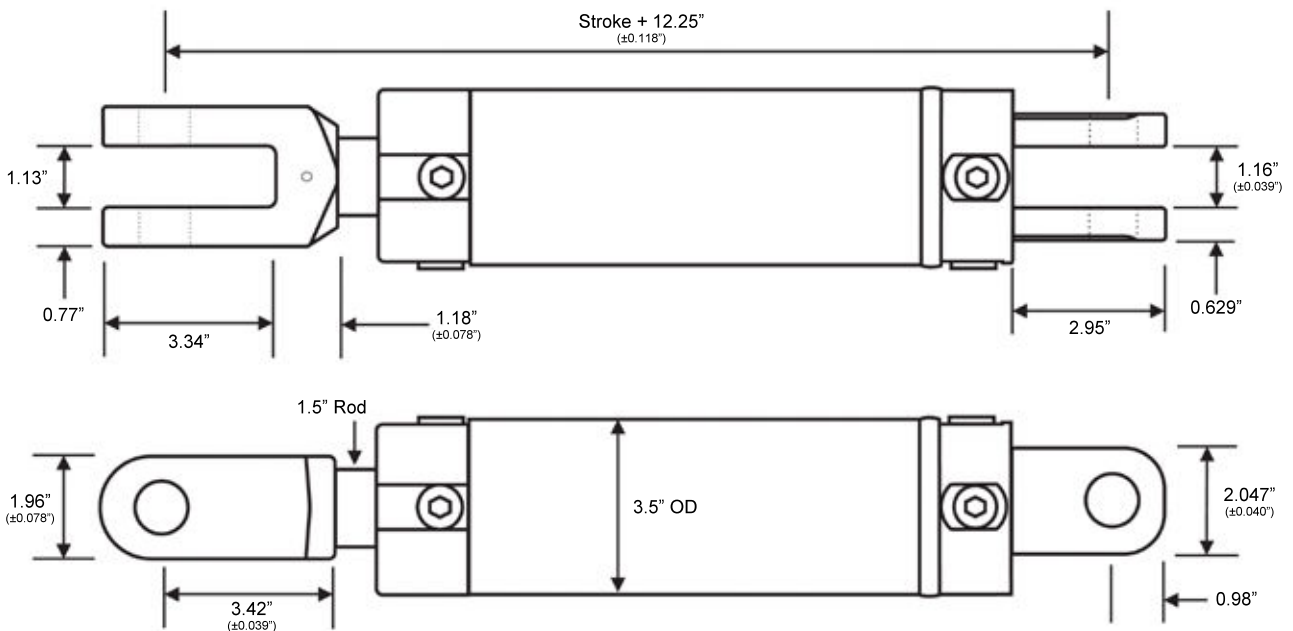


WARNING: Hydraulic cylinders without a hose burst valve, pilot operated check valve or counter balance valve directly mounted to the cylinder will not meet Australian Standard AS1418.8, nor occupational health & safety rules.

AG Cylinders 3.0" Bore

Dual Port | 2 Year Warranty | Dated Serial Number

Part #	List Price \$	Stroke	Closed		Open		Description
			Inch	mm	Inch	mm	
TAG 3004D	596.00	4"	16.25"	412.75	20.25"	514.35	Maximum Pressure: 3000 psi Ports: 3/4" UNO Pins: 1"
TAG 3006D	601.00	6"	18.25"	463.55	24.25"	615.95	
TAG 3008D	606.00	8"	20.25"	514.35	28.25"	717.55	
TAG 3010D	618.00	10"	22.25"	565.15	32.25"	819.15	
TAG 3012D	653.00	12"	24.25"	615.95	36.25"	920.75	
TAG 3014D	710.00	14"	26.25"	666.75	40.25"	1022.25	
TAG 3016D	744.00	16"	28.25"	717.55	44.25"	1123.25	
TAG 3018D	761.00	18"	30.25"	768.35	48.25"	1225.55	
TAG 3020D	818.00	20"	32.25"	819.15	52.25"	1327.15	
TAG 3022D	842.00	22"	34.25"	869.95	56.25"	1428.75	
TAG 3024D	864.00	24"	36.25"	920.75	60.25"	1530.35	
TAG 3026D	911.00	26"	38.25"	971.55	64.25"	1631.95	
TAG 3028D	933.00	28"	40.25"	1022.35	68.25"	1733.55	
TAG 3030D	956.00	30"	42.25"	1073.15	72.25"	1835.15	
TAG 3036D	1059.00	36"	48.25"	1225.55	84.25"	2139.95	
TAG 3042D	1173.00	42"	54.25"	1377.95	96.25"	2444.75	
TAG 3048D	1242.00	48"	60.25"	1530.35	108.25"	2749.55	
TAG 30-1800D-200	2496.00	1800mm	83.1"	2111.15	154.0"	3911.15	
TAG 30-1900D-200	2704.00	1900mm	87.1"	2211.5	161.9"	4111.15	

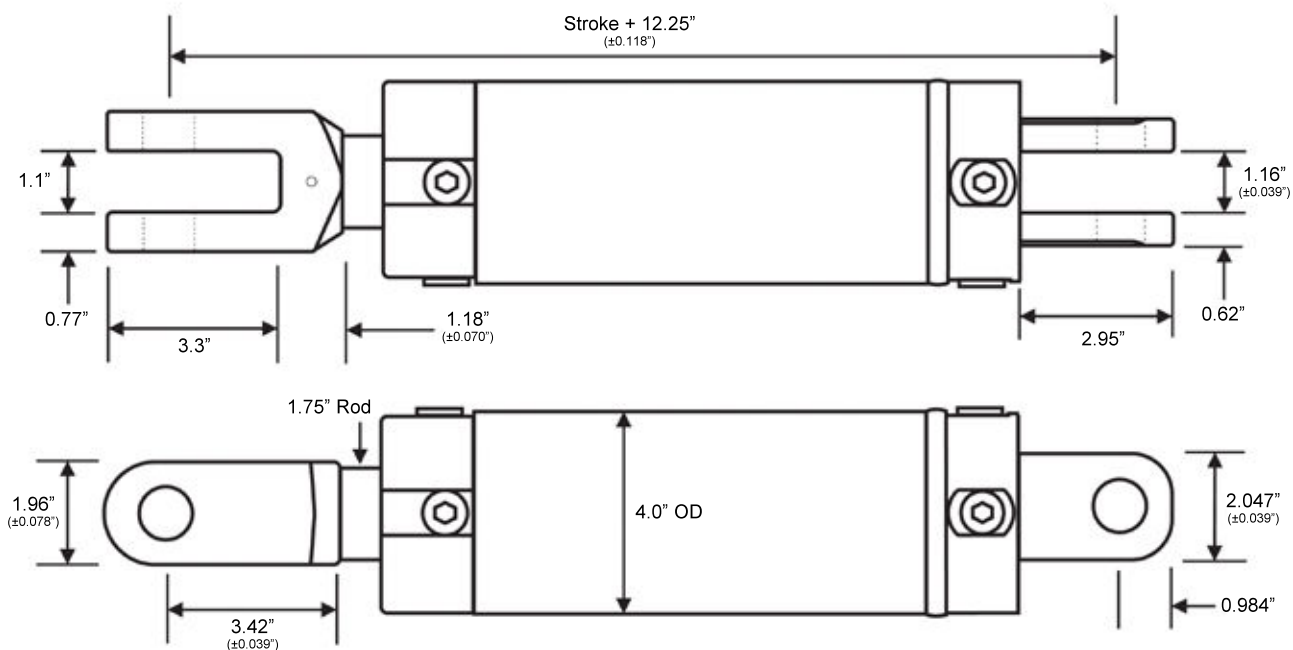


WARNING: Hydraulic cylinders without a hose burst valve, pilot operated check valve or counter balance valve directly mounted to the cylinder will not meet Australian Standard AS1418.8, nor occupational health & safety rules.

AG Cylinders 3.5" Bore

Dual Port | 2 Year Warranty | Dated Serial Number

Part #	List Price \$	Stroke	Closed		Open		Description
			Inch	mm	Inch	mm	
TAG 3506D	756.00	6"	18.25"	463.55	24.25"	615.95	Maximum Pressure: 3000 psi Ports: 3/4" UNO Pins: 1"
TAG 3508D	778.00	8"	20.25"	514.35	28.25"	714.55	
TAG 3510D	801.00	10"	22.25"	565.15	32.25"	819.15	
TAG 3512D	847.00	12"	24.25"	615.95	36.25"	920.75	
TAG 3514D	904.00	14"	26.25"	666.75	40.25"	1022.25	
TAG 3516D	961.00	16"	28.25"	717.55	44.25"	1123.25	
TAG 3518D	1007.00	18"	30.25"	768.35	48.25"	1225.55	
TAG 3520D	1059.00	20"	32.25"	819.15	52.25"	1327.15	
TAG 3524D	1168.00	24"	36.25"	920.75	60.25"	1530.35	
TAG 3526D	1202.00	26"	38.25"	971.50	64.25"	1631.95	
TAG 3528D	1248.00	28"	40.25"	1022.35	68.25"	1733.55	
TAG 3530D	1305.00	30"	42.25"	1073.15	72.25"	1835.15	
TAG 3536D	1465.00	36"	48.25"	1225.55	84.25"	2139.95	
TAG 3542D	1660.00	42"	54.25"	1377.95	96.25"	2444.75	
TAG 3548D	1751.00	48"	60.25"	1530.35	108.25"	2749.55	

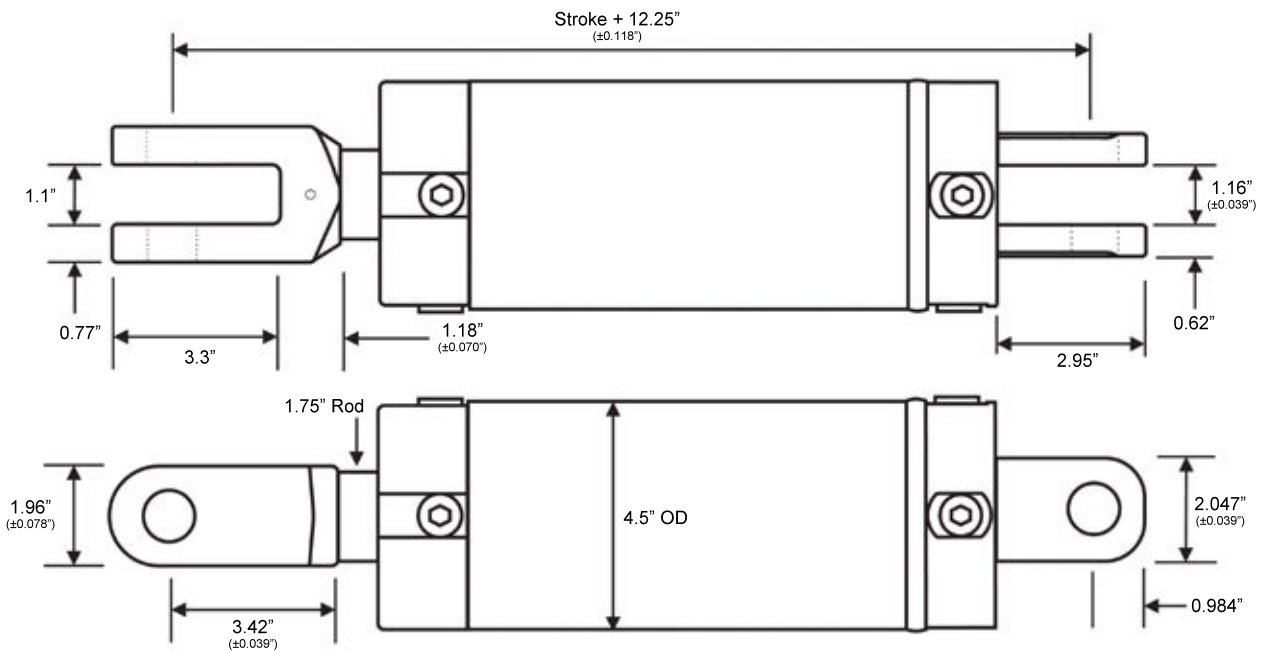


WARNING: Hydraulic cylinders without a hose burst valve, pilot operated check valve or counter balance valve directly mounted to the cylinder will not meet Australian Standard AS1418.8, nor occupational health & safety rules.

AG Cylinders 4.0" Bore

Dual Port | 2 Year Warranty | Dated Serial Number

Part #	List Price \$	Stroke	Rod	Closed		Open		Description
				Inch	mm	Inch	mm	
TAG 4004D	870.00	4"	1.75"	16.25"	412.75	20.25"	514.35	Maximum Pressure: 3000 psi Ports: 3/4" UNO Pins: 1"
TAG 4006D	893.00	6"	1.75"	18.25"	463.55	24.25"	615.95	
TAG 4008D	916.00	8"	1.75"	20.25"	514.35	28.25"	717.55	
TAG 4010D	978.00	10"	1.75"	22.25"	565.15	32.25"	819.15	
TAG 4012D	1007.00	12"	1.75"	24.25"	615.95	36.25"	920.75	
TAG 4016D	1133.00	16"	1.75"	28.25"	717.55	44.25"	1123.95	
TAG 4018D	1190.00	18"	1.75"	30.25"	768.35	48.25"	1225.55	
TAG 4020D	1259.00	20"	1.75"	32.25"	819.15	52.25"	1327.15	
TAG 4024D	1369.00	24"	1.75"	36.25"	920.75	60.25"	1530.35	
TAG 4030D	1557.00	30"	1.75"	42.25"	1073.15	72.25"	1835.15	
TAG 4036D	1729.00	36"	1.75"	48.25"	1225.55	84.25"	2139.95	
TAG 4042D	1901.00	42"	1.75"	54.25"	1377.95	96.25"	2444.75	
TAG 4048D	2084.00	48"	1.75"	60.25"	1530.35	108.25"	2749.55	
TAG 4012D 200	1088.00	12"	2"	24.25"	615.95	36.25"	920.75	
TAG 4016D 200	1214.00	16"	2"	28.25"	717.55	44.25"	1123.95	
TAG 4018D 200	1271.00	18"	2"	30.25"	768.35	48.25"	1225.55	
TAG 4024D 200	1448.00	24"	2"	36.25"	920.75	60.25"	1530.35	

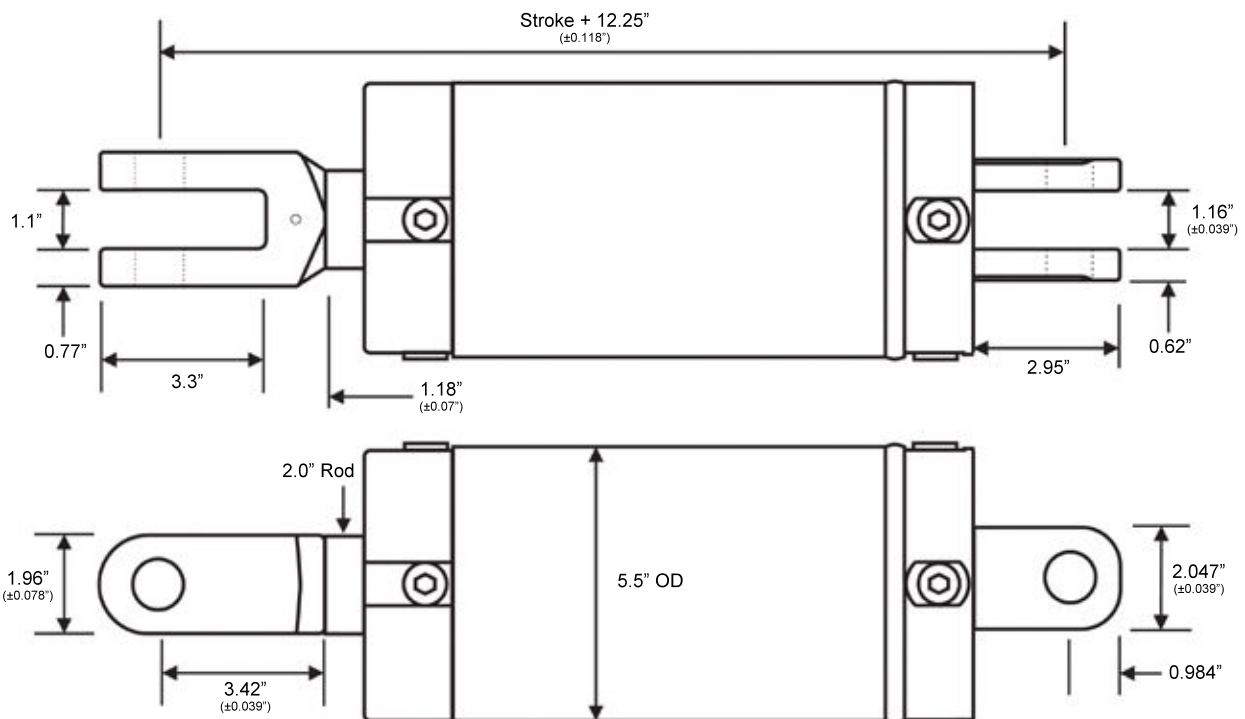


WARNING: Hydraulic cylinders without a hose burst valve, pilot operated check valve or counter balance valve directly mounted to the cylinder will not meet Australian Standard AS1418.8, nor occupational health & safety rules.

AG Cylinders 5.0" Bore

Dual Port | 2 Year Warranty | Dated Serial Number

Part #	List Price \$	Stroke	Closed		Open		Description
			Inch	mm	Inch	mm	
TAG 5008D	1179.00	8"	20.25"	514.35	28.25"	717.55	Maximum Pressure: 3000 psi Ports: 3/4" UNO Pins: 1"
TAG 5012D	1317.00	12"	24.25"	615.95	36.25"	920.75	
TAG 5016D	1454.00	16"	28.25"	717.55	44.25"	1123.95	
TAG 5018D	1512.00	18"	30.25"	768.35	48.25"	1225.55	
TAG 5020D	1557.00	20"	32.25"	819.15	52.25"	1327.15	
TAG 5024D	1683.00	24"	36.25"	920.75	60.25"	1530.35	
TAG 5030D	1832.00	30"	42.25"	1073.15	72.25"	1835.15	
TAG 5036D	1958.00	36"	48.25"	1225.55	84.25"	2139.95	
TAG 5048D	2266.00	48"	60.25"	1530.35	108.25"	2749.55	

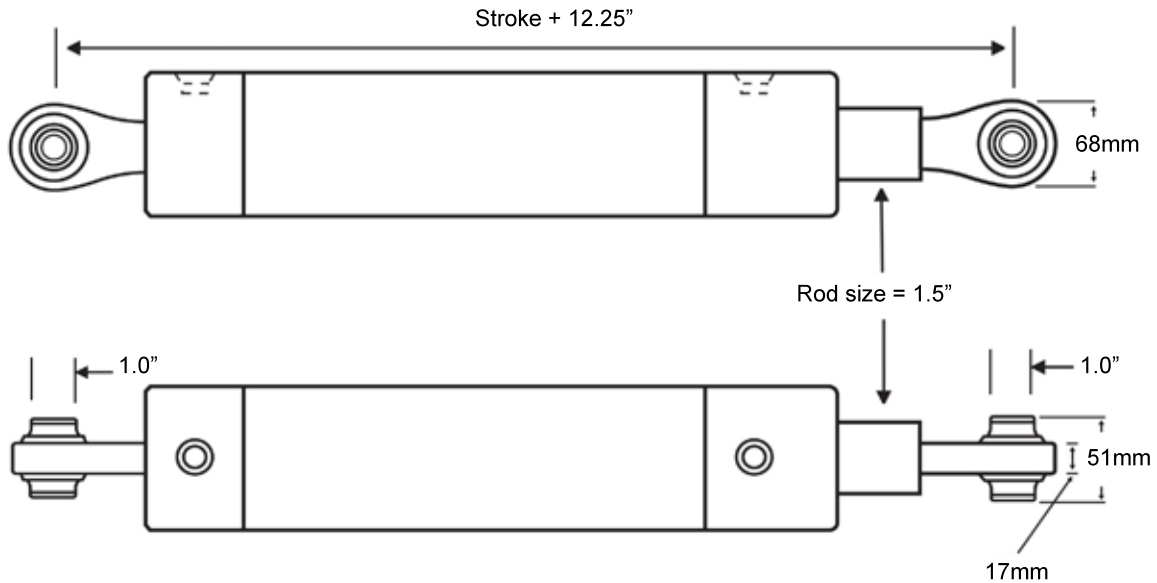


WARNING: Hydraulic cylinders without a hose burst valve, pilot operated check valve or counter balance valve directly mounted to the cylinder will not meet Australian Standard AS1418.8, nor occupational health & safety rules.

AG Toplink Cylinders 2.5" Bore

Dual Port | 2 Year Warranty | Dated Serial Number

Part #	List Price \$	Stroke	Closed		Open		Description
			Inch	mm	Inch	mm	
TAG 2504DT2	584.00	4"	16.25"	412.75	20.25"	514.35	Maximum Pressure: 3000 psi Ports: 3/4" UNO Pins: 1"
TAG 2506DT2	596.00	6"	18.25"	463.55	24.25"	615.95	
TAG 2508DT2	606.00	8"	20.25"	514.35	28.25"	717.55	
TAG 2510DT2	618.00	10"	22.25"	565.15	32.25"	819.15	
TAG 2512DT2	630.00	12"	24.25"	615.95	36.25"	920.75	



WARNING: Hydraulic cylinders without a hose burst valve, pilot operated check valve or counter balance valve directly mounted to the cylinder will not meet Australian Standard AS1418.8, nor occupational health & safety rules.

2.0" Short Closed Length Cylinders

Part #	List Price \$	Bore	Stroke	Rod	Closed		Open		Description
					Inch	mm	Inch	mm	
TAG 2004DSHCC	535.00	2"	4"	1"	13.5	342.9	17.5	444.5	Maximum Pressure: 3000 psi Ports: 9/16" UNO Pins: 3/4"
TAG 2006DSHCC	547.00	2"	6"	1"	15.5	393.7	21.5	546.1	
TAG 2008DSHCC	559.00	2"	8"	1"	17.5	444.5	25.5	647.7	
TAG 2010DSHCC	593.00	2"	10"	1"	19.5	495.3	27.5	698.5	
TAG 2012DSHCC	604.00	2"	12"	1"	21.5	546.1	33.5	850.9	
TAG 2014DSHCC	625.00	2"	14"	1"	23.5	596.9	35.5	901.7	
TAG 2016DSHCC	650.00	2"	16"	1"	25.5	647.7	41.5	1054.1	
TAG 2018DSHCC	765.00	2"	18"	1"	27.5	698.5	43.5	1104.9	
TAG 2030DSHCC	1018.00	2"	30"	1"	39.5	1003.3	55.5	1409.7	



Concrete Truck Chute Jack Cylinders with Check Valve

Part #	List Price \$	Bore	Stroke	Rod	Closed	Open	Max Pressure	Ports	Pins
TCB 30300	854.00	3.0"	300mm	1.1/4"	564mm	864mm	3250psi	9/16"	16mm eyes



Whoa Stop Cylinder Stroke Control Segments

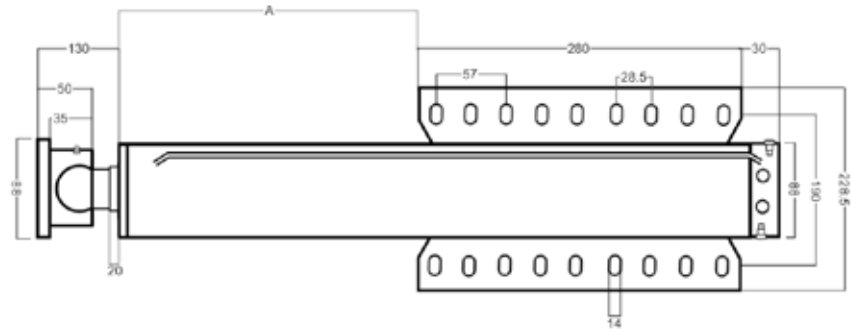
Part #	List Price \$	For Shaft Sizes	Set Contains Sizes
WA 1090	152.00	1.128" > 1.500"	0.875" - 1.000" - 1.250" - 1.500"
WA 1087	295.00	1.750" > 2.000"	1.000" - 1.500" - 2.000" - 4.250"



Landing Legs

Dual Pilot Check Valves | 2 Year Warranty | Dated Serial Number

Part #	List Price \$	Rod	Bore	Stroke	A	Max Pressure	Ports
TF3001620LEG-S	1665.00	2"	3"	16"	245mm	3000psi	9/16" UNO
TF3002020LEG-S	1820.00	2"	3"	20"	346mm	3000psi	9/16" UNO
TF3002420LEG-S	1912.00	2"	3"	24"	480mm	3000psi	9/16" UNO



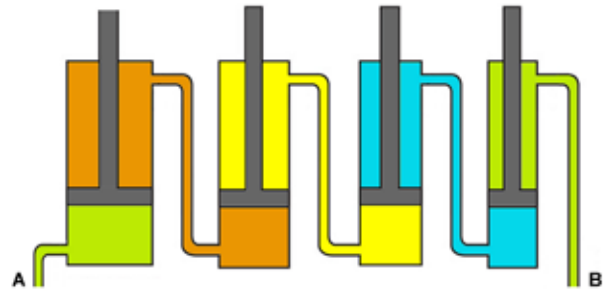
Swivel Foot

Part #	List Price \$	Description
FOOTMTFEMALE50	350.00	Fits any of our hydraulic cylinders (1.1/4" UNF thread)



All our hydraulic phasing cylinders have:

- dual ports
- dated serial numbers
- 2 year warranty
- standard clevis and rod



Phasing Cylinders - 8" Stroke

Part #	List Price \$	Bore	Stroke	Rod	Weight (kg)	Closed		Open	
						Inch	mm	Inch	mm
TVP300008125	893.00	3.00"	8"	1.25"	13	20.25	514.35	28.25	717.55
TVP325008125	1025.00	3.25"	8"	1.25"	16				
TVP350008125	1078.00	3.50"	8"	1.25"	18				
TVP3750081375	1170.00	3.75"	8"	1.375"	20				
TVP4000081375	1144.00	4.00"	8"	1.375"	22				
TVP4250081375	1263.00	4.25"	8"	1.375"	24				
TVP450008150	1362.00	4.50"	8"	1.50"	26				
TVP475008150	1566.00	4.75"	8"	1.50"	28				
TVP500008150	1640.00	5.00"	8"	1.50"	30				

Phasing Cylinders - 12" Stroke

Part #	List Price \$	Bore	Stroke	Rod	Weight (kg)	Closed		Open	
						Inch	mm	Inch	mm
TVP300012125	985.00	3.00"	12"	1.25"	16	24.25	615.95	36.25	920.75
TVP325012125	1111.00	3.25"	12"	1.25"	19				
TVP350012125	1150.00	3.50"	12"	1.25"	23				
TVP3750121375	1263.00	3.75"	12"	1.375"	24				
TVP4000121375	1243.00	4.00"	12"	1.375"	25				
TVP4250121375	1461.00	4.25"	12"	1.375"	26				
TVP450012150	1560.00	4.50"	12"	1.50"	30				
TVP475012150	1799.00	4.75"	12"	1.50"	32				
TVP500012150	1957.00	5.00"	12"	1.50"	34				

Phasing Cylinders - 16" Stroke

Part #	List Price \$	Bore	Stroke	Rod	Weight (kg)	Closed		Open	
						Inch	mm	Inch	mm
TVP300016125	1045.00	3.00"	16"	1.25"	18	28.25	717.55	44.25	1123.95
TVP325016125	1211.00	3.25"	16"	1.25"	21				
TVP350016125	1263.00	3.50"	16"	1.25"	24				
TVP3750161375	1370.00	3.75"	16"	1.375"	29				
TVP4000161375	1362.00	4.00"	16"	1.375"	30				
TVP4250161375	1482.00	4.25"	16"	1.375"	31				
TVP450016150	1601.00	4.50"	16"	1.50"	33				
TVP475016150	1865.00	4.75"	16"	1.50"	35				
TVP500016150	1984.00	5.00"	16"	1.50"	36				



Phasing Cylinders - 18" Stroke

Part #	List Price \$	Bore	Stroke	Rod	Weight (kg)	Closed		Open	
						Inch	mm	Inch	mm
TVP300018125	1053.00	3.00"	18"	1.25"	19	30.25	768.35	48.25	1225.55
TVP325018125	1211.00	3.25"	18"	1.25"	22				
TVP350018125	1289.00	3.50"	18"	1.25"	25				
TVP3750181375	1408.00	3.75"	18"	1.375"	30				
TVP4000181375	1375.00	4.00"	18"	1.375"	31				
TVP4250181375	1560.00	4.25"	18"	1.375"	32				
TVP450018150	1620.00	4.50"	18"	1.50"	34				
TVP475018150	1891.00	4.75"	18"	1.50"	36				
TVP500018150	2010.00	5.00"	18"	1.50"	38				

Phasing Cylinders - 24" Stroke

Part #	List Price \$	Bore	Stroke	Rod	Weight (kg)	Closed		Open	
						Inch	mm	Inch	mm
TVP300024125	1105.00	3.00"	24"	1.25"	22	36.25	920.75	60.25	1530.35
TVP325024125	1356.00	3.25"	24"	1.25"	25				
TVP350024125	1487.00	3.50"	24"	1.25"	25				
TVP3750241375	1587.00	3.75"	24"	1.375"	33				
TVP4000241375	1521.00	4.00"	24"	1.375"	34				
TVP4250241375	1799.00	4.25"	24"	1.375"	36				
TVP450024150	1944.00	4.50"	24"	1.50"	37				
TVP475024150	2262.00	4.75"	24"	1.50"	39				
TVP500024150	2565.00	5.00"	24"	1.50"	41				

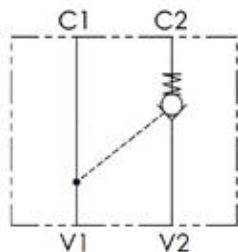
Phasing Cylinders - 36" Stroke

Part #	List Price \$	Bore	Stroke	Rod	Weight (kg)	Closed		Open	
						Inch	mm	Inch	mm
TVP300036125	1699.00	3.00"	36"	1.25"	29	48.25	1225.55	84.25	2139.95
TVP325036125	2122.00	3.25"	36"	1.25"	31				
TVP350036125	2130.00	3.50"	36"	1.25"	38				
TVP3750361375	2420.00	3.75"	36"	1.375"	40				
TVP4000361375	2353.00	4.00"	36"	1.375"	42				
TVP4250361375	2718.00	4.25"	36"	1.375"	44				
TVP450036150	2723.00	4.50"	36"	1.50"	47				
TVP475036150	2849.00	4.75"	36"	1.50"	51				
TVP500036150	2849.00	5.00"	36"	1.50"	54				

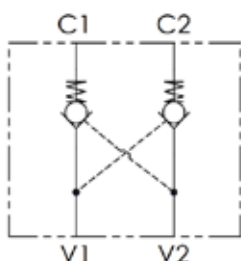
Pilot Check Valve Internal Pilot T11-A Cartridge Valves

Part #	List Price \$	Type	Ports	Maximum Pressure	Pressure Range	Maximum Flow	Ratio	Material
NEW PO11AS-O23GPSASAS	347.00	Single pilot check	3/4" UNO	350 bar	2 bar	60 lpm	3:1	Aluminium
NEW PO11AS-O23GPSADAS	500.00	Dual pilot check	3/4" UNO	350 bar	2 bar	60 lpm	3:1	Aluminium

Valves and bodies can be purchased individually - see page 119



Single Pilot Check



Dual Pilot Check

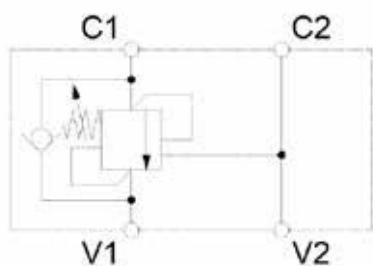


OLEOWEB
MADE IN EUROPE

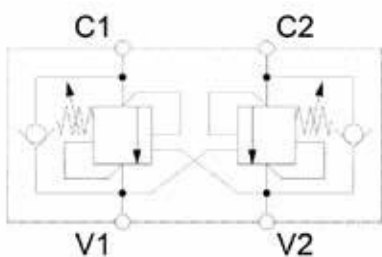
Counter Balance Valve Internal Vent T11-A Cartridge Valves

Part #	List Price \$	Type	Ports	Maximum Pressure	Pressure Range	Maximum Flow	Ratio	Piston Seal	Material
NEW OE11AS-O13HSBSASTS	412.00	Single counter balance	3/4" UNO	350 bar	70-280 bar	60 lpm	3:1	Yes	Aluminium
NEW OE11AS-O13PSADASTS	500.00	Dual counter balance	3/4" UNO	350 bar	70-280 bar	60 lpm	3:1	Yes	Aluminium

Valves and bodies can be purchased individually - see page 119



Single Counter Balance



Dual Counter Balance



OLEOWEB
MADE IN EUROPE

Pipe Kits

Pipe Kit	Load Holding On	Valve Mounting	Cylinder Stroke	Cylinder Port Size	List Price \$
NEW PK -	1	B	10	34	160.00

1	Retract port	A	Port A	10	10"	916	Suits 1.5" bore
2	Extend port	B	Port B	12	12"	34	Suits 2" to 5" bore
3	Extend & retract ports			14	14"		



Valve preset at 210 bar

All pipe kits include fitment to TAG cylinder

Valve NOT included, must be purchased separately

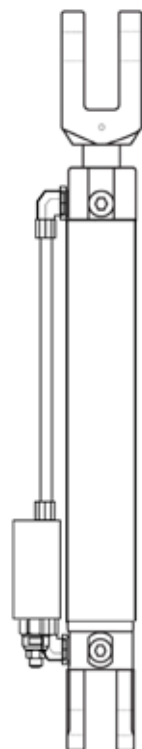
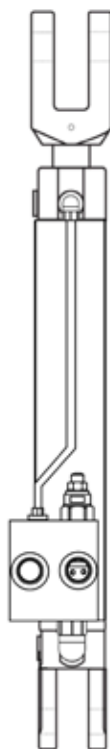
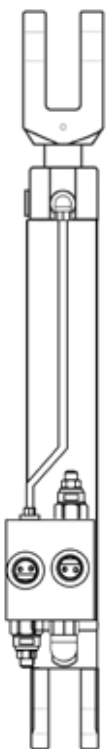
16	16"
18	18"
20	20"
24	24"
26	26"
28	28"
30	30"
36	36"
40	40"
42	42"
48	48"



Each valve must be individually set during the commissioning process by the hydraulic fitter

Valve Mounting

Load holding on extend & retract ports		Load holding on extend port ONLY		Load holding on retract port ONLY	
3A	3B	2A	2B	1A	1B

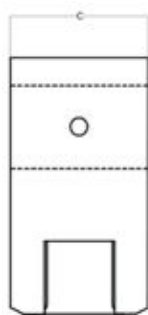


Cylinder Attachments

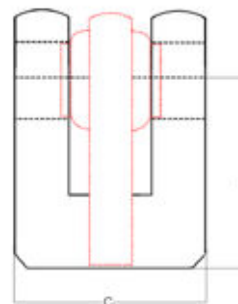
Part #	List Price \$	Type	Thread	Pin Size	Material	Dimensions (mm)			Pin To Suit
						A	B	C	
CL075	150.00	Female clevis	3/4" UNF	0.75"	Steel	51	21	40	CLPN075-48.3
CL100-1.125	176.00	Female clevis	1.1/8" UNF	1.0"	Cast Iron	87	28.5	62	CLPN1-77
CL100-82	176.00	Female clevis	1.1/4" UNF	1.0"	SG Iron	82	28.5	62	CLPN1-77
CL100	176.00	Female clevis	1.1/4" UNF	1.0"	SG Iron	87	28.5	62	CLPN1-77
NEW CL100LCK *	176.00	F. Clevis w/ locking	1.1/4" UNF	1.0"	SG Iron	87	28.5	62	CLPN1-77LCKKIT
CL100STEEL	198.00	Female clevis	1.1/4" UNF	1.0"	Steel	87	28.6	62	CLPN1-77
CL125CAST	298.00	Female clevis	1.1/4" UNF	1.25"	SG Iron	87	28.5	62	CLPN125-80
CL150	242.00	Block end	1.1/4" UNF	1.5" **	Steel	87	-	63	-
CLM075	197.00	Block end	3/4" UNF	0.75"	Steel	51	-	40	-
CLM100	231.00	Block end	1.1/4" UNF	1.0"	Steel	87	-	50	-
B310	106.00	Ball end	Weld on	0.75"	Steel	-	-	-	-
B311	106.00	Ball end	Weld on	1.0"	Steel	-	-	-	-

* Includes grease port

** Reduction bushes to 1" are supplied with CL150 (can also be bushed to other sizes). Grease port included.



Block End Clevis



Female Clevis



CL075



CL100



CL100 STEEL



CL100LCK



CL150



CLM075

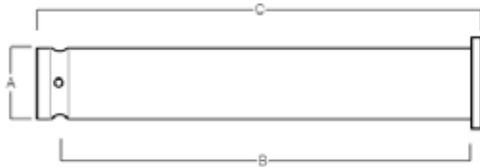


B310

Other cylinder components also stocked (including glands, pistons, endcaps) - contact us for more information

Cylinder Pins

Part #	List Price \$	Dimensions (mm)		
		A	B	C
CLPN075-48.3	55.00	3/4"	48.3mm	57.5mm
CLPN1-69	56.00	1"	69mm	81mm
CLPN1-60	55.00	1"	60mm	72mm
CLPN1-77	50.00	1"	78mm	90mm
CLPN125-80	70.00	1.1/4"	80mm	95mm
CLPN1-77LCKKIT	57.50	This pin is used only in conjunction with clevis CL100LCK		



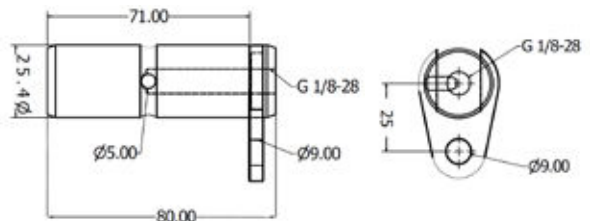
CLPN075



CLPN125/CLPN1

Pin Selection Guide

Cylinder Size	Size	Clevis Pin	Base End Pin
TAG 15	3/4"	CLPN075-48.3	CLPN075-48.3
TAG 20 SHORT CC	3/4"	CLPN075-48.3	CLPN075-48.3
TAG 20	1"	CLPN1-77	CLPN1-60
TAG 25	1"	CLPN1-77	CLPN1-69
TAG 30	1"	CLPN1-77	CLPN1-69
TAG 35	1"	CLPN1-77	CLPN1-77
TAG 40	1"	CLPN1-77	CLPN1-77
TAG 50	1"	CLPN1-77	CLPN1-77



CLPN1-77LCKKIT

Cylinder Breathers

Part #	List Price \$	Description
A9431	22.00	Cylinder breather - brass cloth mesh filter - aluminium - 9/16-18 UNO thread
16329A	28.00	Cylinder breather - brass cloth mesh filter - aluminium - 3/4-16 UNO thread

Cylinder Seal Kits

Part #	List Price \$	Cylinder Type	Bore Size	Shaft Size
SK15087CAT	138.00	TAG Cylinder	1.5"	0.875"
SK20125CAT	151.00	TAG Cylinder	2.0"	1.25"
SK2515CAT	151.00	TAG Cylinder	2.5"	1.5"
SK3015CAT	164.00	TAG Cylinder	3.0"	1.5"
SK35175CAT	167.00	TAG Cylinder	3.5"	1.75"
SK40175CAT	186.00	TAG Cylinder	4.0"	1.75"
SK5020CAT	238.00	TAG Cylinder	5.0"	2.0"

