

CATFORD ENGINEERING PRODUCTS

Jamestown
SA 5491

All Prices Excluding GST

Phone: 0418 641 566

www.catford.com.au sales@catford.com.au

Gear Pumps, Motors & Flow Dividers

*Group 1, 2 & 3 Pumps *Log Splitter Pumps

*Group 1, 2 & 3 Gear Motors *Gear Flow Dividers





Lot 25, Mannanarie Road, Jamestown, South Australia 5491

PO Box 178, Jamestown, South Australia 5491



0418 641 566



sales@catford.com.au

Due to fluctuations in the Australian dollar and the economic climate, please be advised that all prices are subject to change.
Please contact us to confirm pricing.

All prices stated within are exclusive of GST
(All prices are correct as of January 1st 2024, but Catford Engineering reserve the right to change these prices without notice)

Gear Pumps, Motors & Flow Dividers

CATFORD Jamestown
SA 5491
CE ENGINEERING
PRODUCTS

Phone: 0418 641 566

www.catford.com.au sales@catford.com.au

ORDER CODES FOR VVOIL GROUP 0 PUMPS

Series	Group	Pump	Displacement	Flange	Shaft	Inlet Port	Outlet Port	Rear Cover
X	0	P	05	02	A	B	B	A

DISPLACEMENT	
0.16cc	01
0.24cc	02
0.45cc	04
0.56cc	05
0.75cc	06
0.98cc	07
1.27cc	09
1.48cc	11
2.28cc	13

SHAFT	
<p>CI001 - Parallel T.2 = 2.1 [Nm]</p> <p>Parallel Ø 7mm M7x1 Key 2mm</p>	A

REAR COVER	
	A

FLANGE	
<p>LEFT ROTATION</p>	01
<p>RIGHT ROTATION</p>	02

PORTS	INLET	OUTLET
0.17cc	B	B
0.25cc	B	B
0.45cc	B	B
0.57cc	B	B
0.76cc	B	B
0.98cc	B	B
1.27cc	B	B
1.52cc	B	B
2.30cc	B	B
B = 1/4" BSPP		

Group 0 Pump DIN Mount, M7x1 Keyed Shaft

Part #	List Price \$	CC	Maximum Pressure (bar)		Max/Min Speed (RPM)	Port S	Port P	Dimension (mm)		
			Working	Peak				A	B	C
XOP0102ABBA	443.00	0.16	220	260	9000/700	1/4" BSPP	1/4" BSPP	55.8	26.2	46.8
XOP0202ABBA	443.00	0.24	220	260	9000/700	1/4" BSPP	1/4" BSPP	56.4	26.5	47.4
XOP0402ABBA	443.00	0.45	220	237	9000/700	1/4" BSPP	1/4" BSPP	58	27.3	49
XOP0502ABBA	443.00	0.56	191	191	9000/700	1/4" BSPP	1/4" BSPP	59	27.8	50
XOP0602ABBA	443.00	0.75	142	142	9000/700	1/4" BSPP	1/4" BSPP	60.5	28.5	51.5
XOP0702ABBA	443.00	0.92	116	116	6000/700	1/4" BSPP	1/4" BSPP	62	29.3	53
XOP0902ABBA	489.00	1.26	85	85	6000/700	1/4" BSPP	1/4" BSPP	64.5	30.5	55.5
XOP1102ABBA	489.00	1.48	72	72	6000/700	1/4" BSPP	1/4" BSPP	66.5	31.5	57.5
XOP1302ABBA	489.00	2.28	47	47	5000/700	1/4" BSPP	1/4" BSPP	72.5	34.5	63.5

Group 0 Pump Seal Kit

Part #	List Price \$	Material
8KGXOP1.A	51.00	NBR

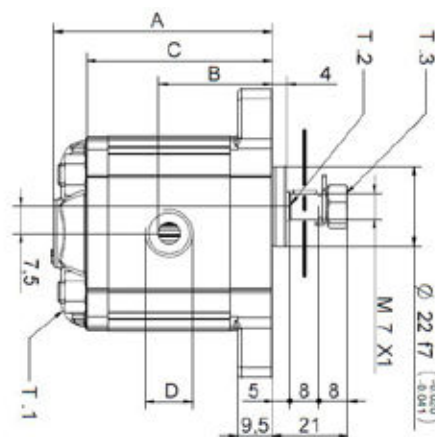
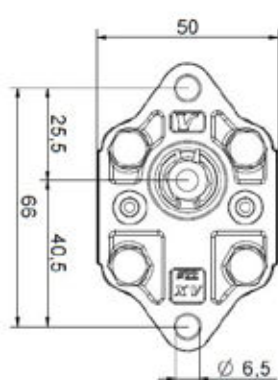
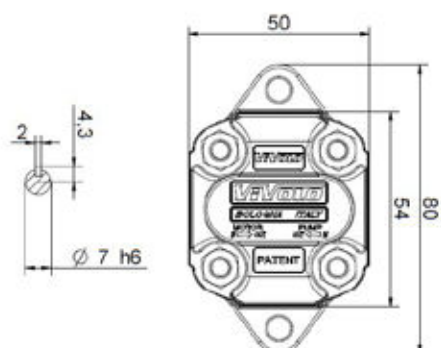


MADE IN EUROPE



CW (standard) or CCW rotation available

Group 0-3 tandem pump compatible




ORDER CODES FOR VVOIL GROUP 1 PUMPS

Series	Group	Pump	Displacement	Flange	Shaft	Inlet Port	Outlet Port	Rear Cover
X	1	P	27	01	F	B	B	A


DISPLACEMENT	
0.91cc	16
1.17cc	17
1.56cc	18
2.08cc	20
2.60cc	21
3.12cc	23
3.64cc	25
4.16cc	27
4.94cc	29
5.85cc	31
6.50cc	32
7.54cc	34
9.88cc	36

SHAFT	
<p>CO001 - Tapered T.2 = 43 [Nm]</p> <p>Tapered 1:8 Ø 10mm - M7x1 Key 2.4mm</p>	F
<p>CI002 - Parallel T.2 = 32.8 [Nm]</p> <p>Parallel Ø 1/2" - Key 3.2mm</p>	B
<p>CF002 - Milled shank T.2 = 13.8 [Nm]</p>	D

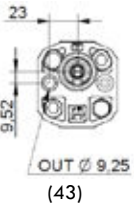
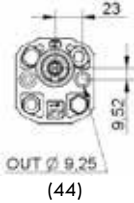

FLANGE	LEFT ROTATION	RIGHT ROTATION
	01	02
61	62	
43	44	
41	42	



DIN Group 1



SAE-AA

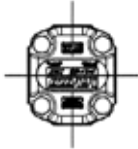
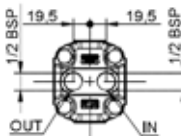
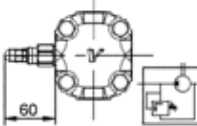




Please note:
Additional costs apply for non-standard options

PORTS	INLET	OUTLET
0.9cc	B	B
1.2cc	B	B
1.7cc	B	B
2.2cc	B	B
2.6cc	B	B
3.2cc	C	B
3.8cc	C	B
4.3cc	C	B
4.9cc	C	B
5.9cc	C	B
6.5cc	C	B
7.8cc	C	B
9.8cc	C	B

B = 3/8" BSPP, C = 1/2" BSPP

REAR COVER	
A	A
D	D
N-11 10-105 bar	N-11 10-105 bar
N-12 70-210 bar	N-12 70-210 bar
N-13 140-350 bar	N-13 140-350 bar

With Relief Valve

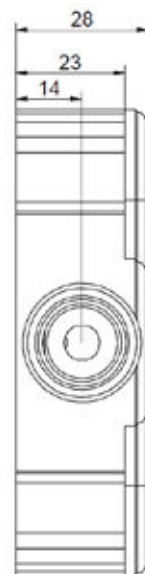
RELIEF VALVES OPTIONS ON NEXT PAGE

Group 1 Pump Rear Cover with Integrated Relief Valve

Part #	List Price \$	Maximum Flow Rate	Relief Range	
			Minimum	Maximum
N-11	372.00	50 lpm	10 bar	105 bar
N-12	372.00	50 lpm	70 bar	210 bar
N-13	372.00	50 lpm	140 bar	350 bar



MADE IN EUROPE



Please Note:

Pricing for rear cover with integrated relief valve is in addition to standard pump price.

Group 1 Pump DIN Mount, 1:8 Tapered Shaft

Part #	List Price \$	CC	Maximum Pressure (bar)		Max/Min Speed (RPM)	Port S	Port P	Dimension (mm)		
			Working	Peak				A	B	C
X1P1602FBBA	483.00	0.91	240	280	6000/700	3/8" BSPP	3/8" BSPP	78.1	37.3	66.1
X1P1702FBBA	483.00	1.17	250	290	6000/700	3/8" BSPP	3/8" BSPP	79.0	37.8	67.0
X1P1802FBBA	483.00	1.56	250	290	6000/700	3/8" BSPP	3/8" BSPP	80.5	38.5	68.5
X1P2002FBBA	483.00	2.08	250	290	6000/700	3/8" BSPP	3/8" BSPP	82.5	39.5	70.5
X1P2102FBBA	483.00	2.60	250	300	6000/700	3/8" BSPP	3/8" BSPP	84.5	40.5	72.5
X1P2302FCBA	483.00	3.12	250	300	6000/700	1/2" BSPP	3/8" BSPP	86.5	41.5	74.5
X1P2502FCBA	483.00	3.64	250	300	6000/700	1/2" BSPP	3/8" BSPP	88.5	42.5	76.5
X1P2702FCBA	483.00	4.16	250	300	6000/700	1/2" BSPP	3/8" BSPP	90.5	43.5	78.5
X1P2902FCBA	516.00	4.94	250	300	6000/700	1/2" BSPP	3/8" BSPP	93.5	45.0	81.5
X1P3102FCBA	516.00	5.85	250	300	5000/700	1/2" BSPP	3/8" BSPP	97.0	46.8	85.0
X1P3202FCBA	516.00	6.50	250	300	5000/700	1/2" BSPP	3/8" BSPP	98.5	48.0	86.5
X1P3402FCBA	516.00	7.54	220	260	5000/700	1/2" BSPP	3/8" BSPP	103.5	50.0	91.5
X1P3602FCBA	516.00	9.88	190	230	4000/700	1/2" BSPP	3/8" BSPP	112.5	54.5	100.5

Group 1 Pump Seal Kit

Part #	List Price \$	Material
8KGX1P1.A	48.00	NBR
8KGX1P1.V	143.00	Viton



MADE IN EUROPE

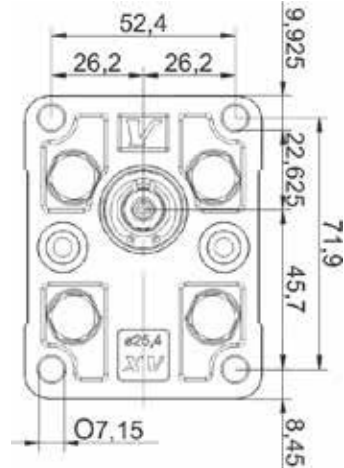
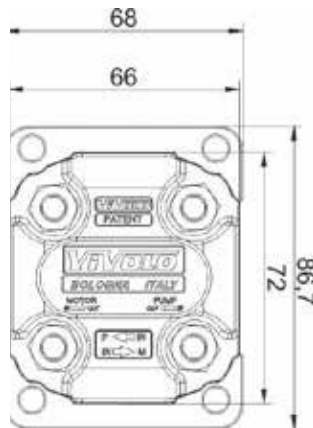
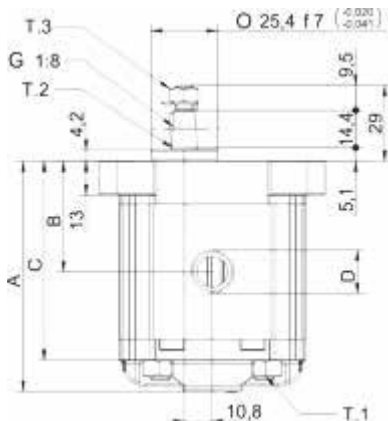
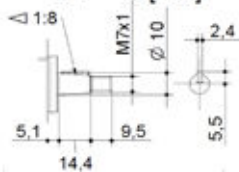


CW (standard) or CCW rotation available

Relief valves & tandem pumps available

CO001 - Tapered

T.2 = 43 [Nm]



Group 1 Pump SAE AA Mount, 1/2" Keyed Shaft

Part #	List Price \$	CC	Maximum Pressure (bar)		Max/Min Speed (RPM)	Port S	Port P	Dimension (mm)		
			Working	Peak				A	B	C
X1P1662BBBA	483.00	0.91	240	280	6000/700	3/8" BSPP	3/8" BSPP	82.6	41.8	70.6
X1P1762BBBA	483.00	1.17	250	290	6000/700	3/8" BSPP	3/8" BSPP	83.5	42.3	71.5
X1P1862BBBA	483.00	1.56	250	290	6000/700	3/8" BSPP	3/8" BSPP	85.0	43.0	73.0
X1P2062BBBA	483.00	2.08	250	290	6000/700	3/8" BSPP	3/8" BSPP	87.0	44.0	75.0
X1P2162BBBA	483.00	2.60	250	300	6000/700	3/8" BSPP	3/8" BSPP	89.0	45.0	77.0
X1P2362BCBA	483.00	3.12	250	300	6000/700	1/2" BSPP	3/8" BSPP	91.0	46.5	79.0
X1P2562BCBA	483.00	3.64	250	300	6000/700	1/2" BSPP	3/8" BSPP	93.0	47.0	81.0
X1P2762BCBA	483.00	4.16	250	300	6000/700	1/2" BSPP	3/8" BSPP	95.0	48.0	83.0
X1P2962BCBA	516.00	4.94	250	300	6000/700	1/2" BSPP	3/8" BSPP	98.0	49.5	86.0
X1P3162BCBA	516.00	5.85	250	299	5000/700	1/2" BSPP	3/8" BSPP	101.5	51.3	89.5
X1P3262BCBA	516.00	6.50	250	269	5000/700	1/2" BSPP	3/8" BSPP	105.0	52.5	93.0
X1P3462BCBA	516.00	7.54	220	232	5000/700	1/2" BSPP	3/8" BSPP	108.0	54.5	96.0
X1P3662BCBA	516.00	9.88	177	177	4000/700	1/2" BSPP	3/8" BSPP	117.0	59.0	105.0

Group 1 Pump Seal Kit

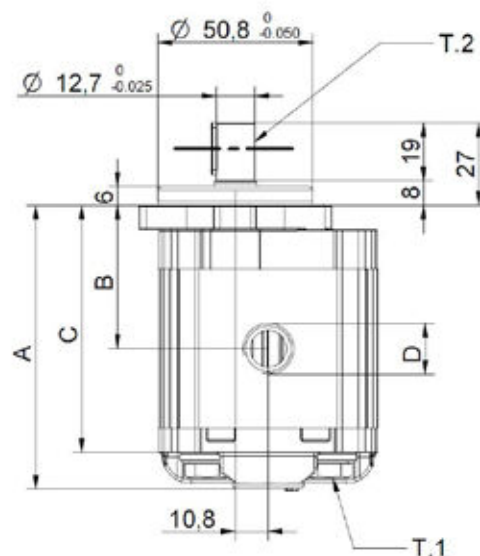
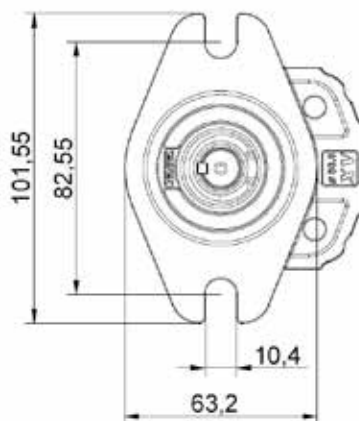
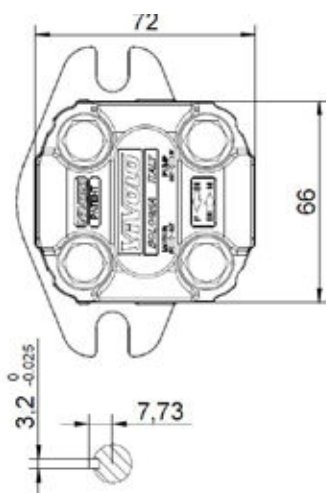
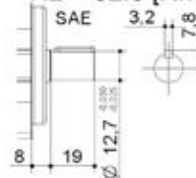
Part #	List Price \$	Material
8KGX1P2.A	48.00	NBR
8KGX1P2.V	164.00	Viton



MADE IN EUROPE

CI002 - Parallel

T.2 = 32.8 [Nm]



Group 1 Pump BH Mount, Tang Drive Shaft (CCW Standard)

Part #	List Price \$	CC	Maximum Pressure (bar)		Max/Min Speed (RPM)	Port S	Port P	Dimension (mm)		
			Working	Peak				A	B	C
X1P1641DBBA	483.00	0.91	240	280	6000/700	3/8" BSPP	3/8" BSPP	82.6	41.8	70.6
X1P1741DBBA	483.00	1.17	250	290	6000/700	3/8" BSPP	3/8" BSPP	83.5	42.3	71.5
X1P1841DBBA	483.00	1.56	250	290	6000/700	3/8" BSPP	3/8" BSPP	85.0	43.0	73.0
X1P2041DBBA	483.00	2.08	250	290	6000/700	3/8" BSPP	3/8" BSPP	87.0	44.0	75.0
X1P2141DBBA	483.00	2.60	250	283	6000/700	3/8" BSPP	3/8" BSPP	89.0	45.0	77.0
X1P2341DCBA	483.00	3.12	236	236	6000/700	1/2" BSPP	3/8" BSPP	91.0	46.5	79.0
X1P2541DCBA	483.00	3.64	202	202	6000/700	1/2" BSPP	3/8" BSPP	93.0	47.0	81.0
X1P2741DCBA	483.00	4.16	177	177	6000/700	1/2" BSPP	3/8" BSPP	95.0	48.0	83.0
X1P2941DCBA	516.00	4.94	149	149	6000/700	1/2" BSPP	3/8" BSPP	98.0	49.5	86.0
X1P3141DCBA	516.00	5.85	126	126	5000/700	1/2" BSPP	3/8" BSPP	101.5	51.3	89.5
X1P3241DCBA	516.00	6.50	113	113	5000/700	1/2" BSPP	3/8" BSPP	105.0	52.5	93.0
X1P3441DCBA	516.00	7.54	98	98	5000/700	1/2" BSPP	3/8" BSPP	108.0	54.5	96.0
X1P3641DCBA	516.00	9.88	75	75	4000/700	1/2" BSPP	3/8" BSPP	117.0	59.0	105.0



41/42 Flange



43 Flange



44 Flange

CW (standard) or CCW rotation available

* See nomenclature chart on page 122 for flange codings

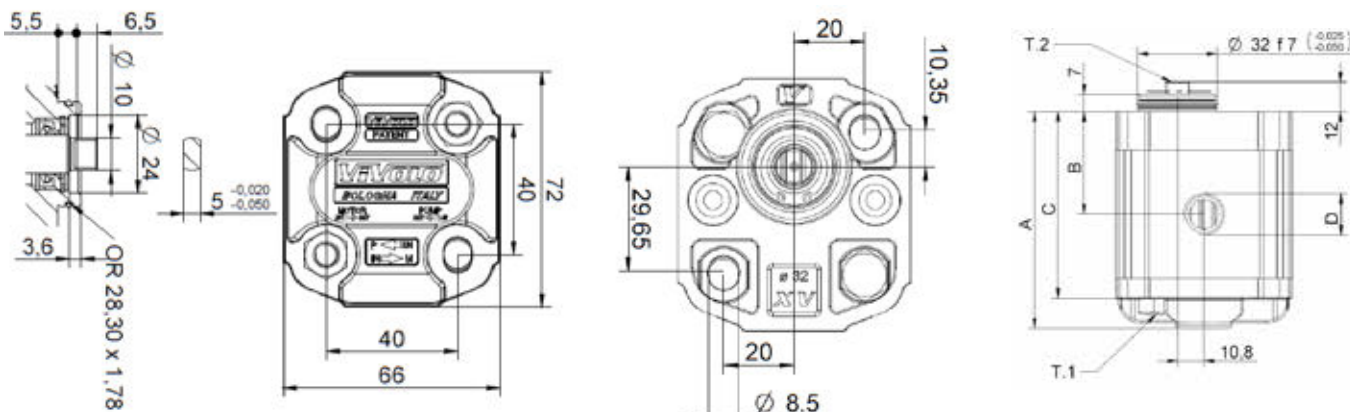
Relief valves & tandem pumps available



MADE IN EUROPE

Group 1 Pump Seal Kit

Part #	List Price \$	Material
8KGX1P2.A	48.00	NBR
8KGX1P2.V	164.00	Viton



Suitable for Hydraulics Network DC & AC Power Units - see order code for centre block port covers (page 123)

ORDER CODES FOR VIVOIL GROUP 2 PUMPS

Series	Group	Pump	Displacement	Flange	Shaft	Inlet Port	Outlet Port	Rear Cover
X	2	P	51	02	E	C	B	A

DISPLACEMENT

4.2cc	41
6.0cc	43
8.4cc	45
10.8cc	47
14.4cc	49
16.8cc	51
19.2cc	53
22.8cc	55
26.2cc	57
30.0cc	59
34.2cc	61
39.6cc	63

PORTS

DISPLACEMENT	INLET	OUTLET
4.2cc	B	B
6.0cc	B	B
8.4cc	C	B
10.8cc	C	B
14.4cc	C	B
16.8cc	D	C
19.2cc	D	C
22.8cc	D	C
26.2cc	D	C
30.0cc	D	C
34.2cc	D	C
39.6cc	D	C

B = 1/2" BSPP

C = 3/4" BSPP

D = 1" BSPP

FLANGE



DIN Group 2



SAE-A



Ø80 German Standard



Ø50 HY German Standardised (highlighted mounting hole)



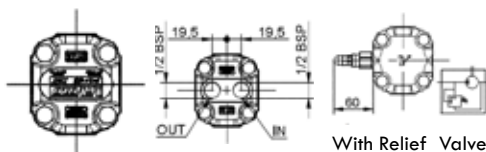
Ø50 BH German Standardised (highlighted mounting hole)



DIN Group 2 Bearing Carrier 1:8 taper

	LEFT ROTATION	RIGHT ROTATION
	01	02
	51	52
	41	42
	21	22
	11	12
	1S	1D
	E	E

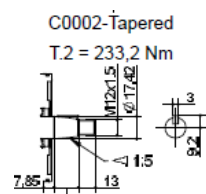
REAR COVER



With Relief Valve

A	D	N-21 10-105 bar
		N-22 70-210 bar
		N-23 140-350 bar
RELIEF VALVE & PRIORITY HEAD OPTIONS ON NEXT PAGE		

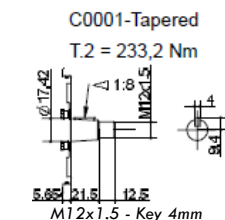
SHAFT



C0002-Tapered
T.2 = 233,2 Nm

Tapered 1:5 Ø 17.4mm
M12x1.5 - Key 3mm
GERMAN STANDARDIZED ONLY

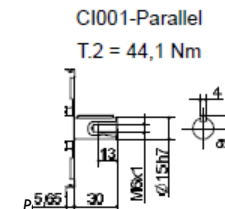
F



C0001-Tapered
T.2 = 233,2 Nm

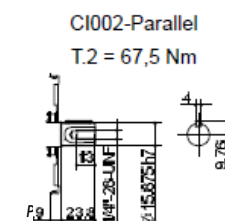
M12x1.5 - Key 4mm

E



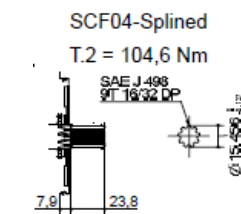
CI001-Parallel
T.2 = 44,1 Nm

A



CI002-Parallel
T.2 = 67,5 Nm

B



SCF04-Splined
T.2 = 104,6 Nm

I

10 & 11 Tooth Shaft - see page 133

Please note:
Additional costs apply for non-standard options

Group 2 Pump Rear Cover with Integrated Relief Valve

Part #	List Price \$	Maximum Flow Rate	Relief Range	
			Minimum	Maximum
N-21	456.00	50 lpm	10 bar	105 bar
N-22	456.00	50 lpm	70 bar	210 bar
N-23	456.00	50 lpm	140 bar	350 bar

Please Note:

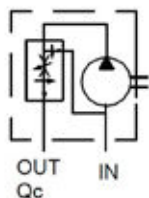
Pricing for rear cover with integrated relief valve and rear cover with priority head is in addition to standard pump price.



MADE IN EUROPE

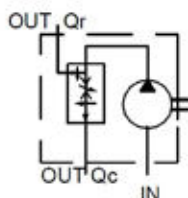
Priority Head Internal Excess Flow

Rear Cover Part #	List Price \$	QC Port	Flow Adjustment	
			Minimum	Maximum
CB62	761.00	3/8" BSPP	3 lpm	6 lpm
CB58	761.00	3/8" BSPP	6 lpm	11 lpm
CB63	761.00	3/8" BSPP	8 lpm	16 lpm
CB64	761.00	3/8" BSPP	13 lpm	25 lpm
CB70	761.00	3/8" BSPP	25 lpm	45 lpm



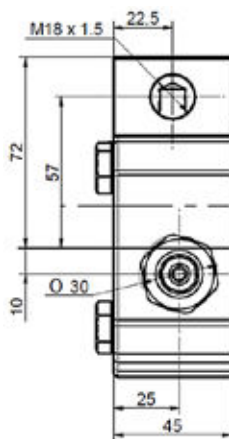
CB

Qc = ADJUSTABLE CONSTANT FLOW



CA

Qc = ADJUSTABLE CONSTANT FLOW
Qr = EXCEEDING FLOW



MADE IN EUROPE

Priority Head External Excess Flow

Rear Cover Part #	List Price \$	QC/QR Ports	Flow Adjustment	
			Minimum	Maximum
CA62	791.00	3/8" BSPP	3 lpm	6 lpm
CA58	791.00	3/8" BSPP	6 lpm	11 lpm
CA63	791.00	3/8" BSPP	8 lpm	16 lpm
CA64	791.00	3/8" BSPP	13 lpm	25 lpm
CA70	791.00	3/8" BSPP	25 lpm	45 lpm

Group 2 Pump DIN Mount, 1:8 Tapered Shaft

Part #	List Price \$	CC	Maximum Pressure (bar)		Max/Min Speed (RPM)	Port S	Port P	Dimension (mm)		
			Working	Peak				A	B	C
X2P4102EBBA	646.00	4.2	260	300	3500/700	1/2" BSPP	1/2" BSPP	87.2	41.7	77.2
X2P4302EBBA	646.00	6.0	260	300	3500/700	1/2" BSPP	1/2" BSPP	90.2	43.2	80.2
X2P4502ECBA	646.00	8.4	260	300	3500/700	3/4" BSPP	1/2" BSPP	94.2	45.2	84.2
X2P4702ECBA	667.00	10.8	260	300	3500/700	3/4" BSPP	1/2" BSPP	98.2	47.2	88.2
X2P4902ECBA	667.00	14.4	250	290	3500/700	3/4" BSPP	1/2" BSPP	104.2	50.2	94.2
X2P5102EDCA	667.00	16.8	230	270	3500/700	1" BSPP	3/4" BSPP	108.2	52.2	98.2
X2P5302EDCA	680.00	19.2	210	250	3000/700	1" BSPP	3/4" BSPP	112.2	54.2	102.2
X2P5502EDCA	680.00	22.8	200	240	3000/700	1" BSPP	3/4" BSPP	118.2	57.2	108.2
X2P5702EDCA	680.00	26.2	170	210	3000/700	1" BSPP	3/4" BSPP	122.2	59.2	112.2
X2P5902EDCA	761.00	30.0	160	200	2500/700	1" BSPP	3/4" BSPP	130.2	63.2	120.2
X2P6102EDCA	761.00	34.2	150	190	2500/700	1" BSPP	3/4" BSPP	137.2	66.7	127.2
X2P6302EDCA	761.00	39.6	140	180	2000/700	1" BSPP	3/4" BSPP	146.2	71.2	136.2

Group 2 Pump Seal Kit

Part #	List Price \$	Material
8KGX2P1.A	90.00	NBR
8KGX2P1.V	179.00	Viton



MADE IN EUROPE

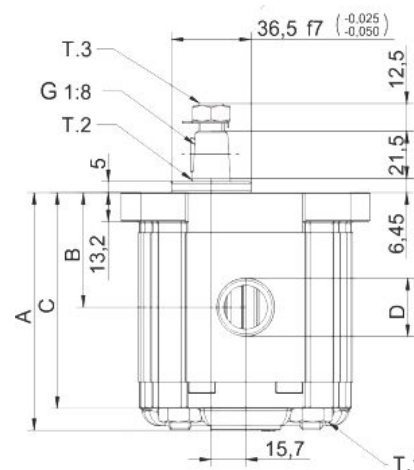
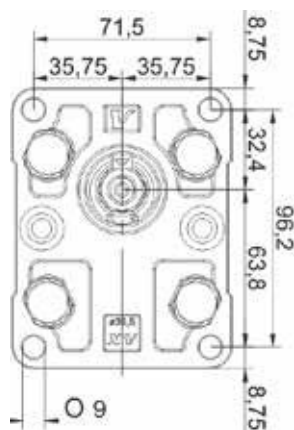
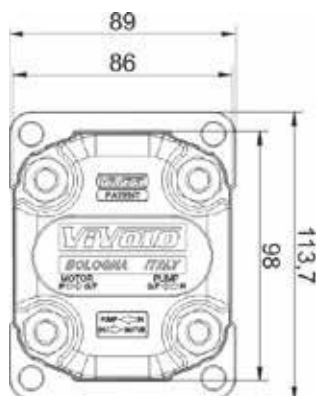
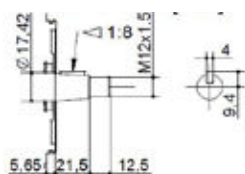


CW (standard) or CCW rotation available

Group 0-3 tandem pump compatible

Relief valves & tandem pumps available

Priority head options on page 129

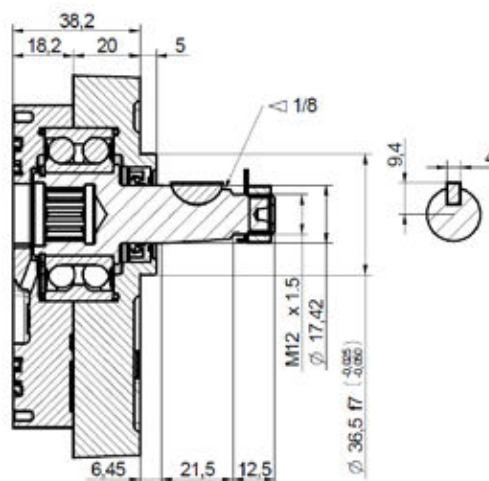
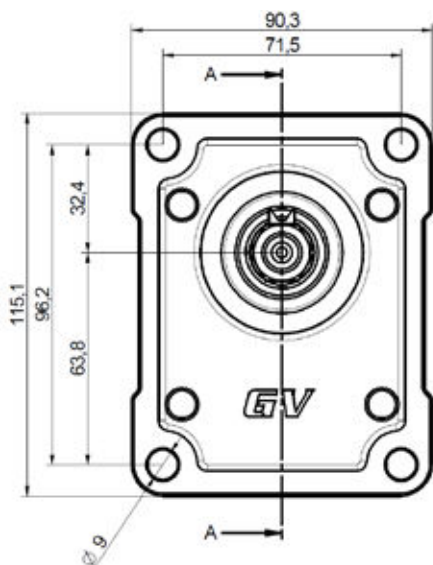
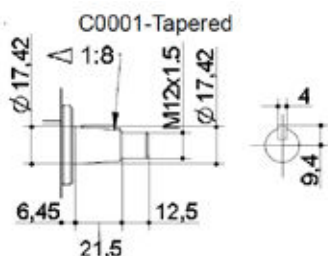


Group 2 Pump DIN Mount With Bearing Carrier, 1:8 Tapered Shaft

Part #	List Price \$	CC	Maximum Pressure (bar)		Max/Min Speed (RPM)	Port S	Port P	Dimension (mm)		
			Working	Peak				A	B	C
X2P411DEBBA	1328.00	4.2	260	300	3500/700	1/2" BSPP	1/2" BSPP	107.2	41.7	77.2
X2P431DEBBA	1328.00	6.0	260	300	3500/700	1/2" BSPP	1/2" BSPP	110.2	43.2	80.2
X2P451DECBA	1328.00	8.4	260	300	3500/700	3/4" BSPP	1/2" BSPP	114.2	45.2	84.2
X2P471DECBA	1328.00	10.8	260	300	3500/700	3/4" BSPP	1/2" BSPP	118.2	47.2	88.2
X2P491DECBA	1328.00	14.4	250	290	3500/700	3/4" BSPP	1/2" BSPP	124.2	50.2	94.2
X2P511DEDCA	1340.00	16.8	230	270	3500/700	1" BSPP	3/4" BSPP	128.2	52.2	98.2
X2P531DEDCA	1366.00	19.2	210	250	3000/700	1" BSPP	3/4" BSPP	132.2	54.2	102.2
X2P551DEDCA	1340.00	22.8	200	240	3000/700	1" BSPP	3/4" BSPP	138.2	57.2	108.2
X2P571DEDCA	1340.00	26.2	170	210	3000/700	1" BSPP	3/4" BSPP	142.2	59.2	112.2
X2P591DEDCA	1426.00	30.0	160	200	2500/700	1" BSPP	3/4" BSPP	150.2	63.2	120.2
X2P611DEDCA	1426.00	34.2	150	190	2500/700	1" BSPP	3/4" BSPP	157.2	66.7	127.2
X2P631DEDCA	1426.00	39.6	140	180	2000/700	1" BSPP	3/4" BSPP	166.2	71.2	136.2



MADE IN EUROPE



Group 2 Pump Standard German Mount, 1:5 Tapered Shaft

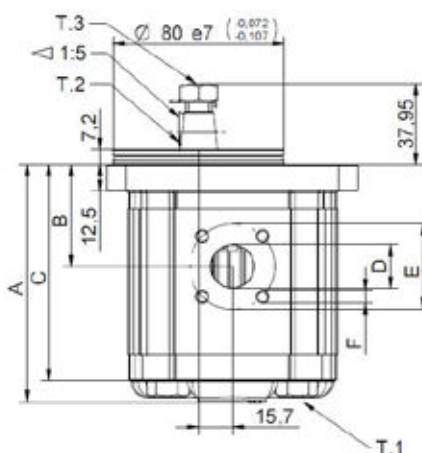
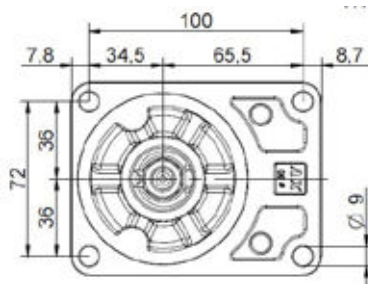
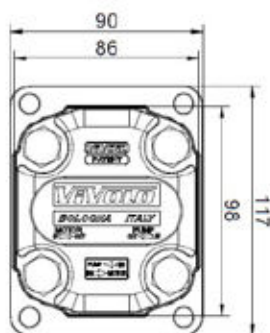
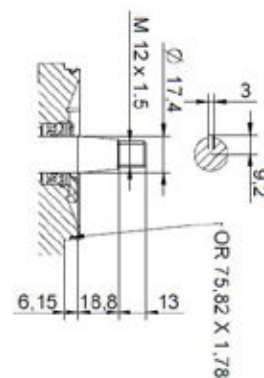
Part #	List Price \$	CC	Maximum Pressure (bar)		Max/Min Speed (RPM)	Port S	Port P	Dimension (mm)		
			Working	Peak				A	B	C
X2P4142FBBA	763.00	4.2	260	300	3500/700	1/2" BSPP	1/2" BSPP	89.7	41.1	79.7
X2P4342FBBA	763.00	6.0	260	300	3500/700	1/2" BSPP	1/2" BSPP	92.7	41.1	82.7
X2P4542FCBA	763.00	8.4	260	300	3500/700	3/4" BSPP	1/2" BSPP	96.7	43.1	86.7
X2P4742FCBA	786.00	10.8	260	300	3500/700	3/4" BSPP	1/2" BSPP	100.7	47.5	90.7
X2P4942FCBA	786.00	14.4	250	290	3500/700	3/4" BSPP	1/2" BSPP	106.7	47.5	96.7
X2P5142FDCA	786.00	16.8	230	270	3500/700	1" BSPP	3/4" BSPP	110.7	47.5	100.7
X2P5342FDCA	786.00	19.2	210	250	3000/700	1" BSPP	3/4" BSPP	114.7	47.5	104.7
X2P5542FDCA	798.00	22.8	200	240	3000/700	1" BSPP	3/4" BSPP	120.7	55	110.7
X2P5742FDCA	798.00	26.2	170	210	3000/700	1" BSPP	3/4" BSPP	124.7	55	114.7
X2P5942FDCA	880.00	30.0	160	200	2500/700	1" BSPP	3/4" BSPP	132.7	63.2	122.7
X2P6142FDCA	880.00	34.2	150	190	2500/700	1" BSPP	3/4" BSPP	139.7	63.2	129.7
X2P6342FDCA	880.00	39.6	140	180	2500/700	1" BSPP	3/4" BSPP	148.7	63.2	138.7



MADE IN EUROPE

CW (standard) or CCW rotation available

Priority head options on page 129



Group 2 Pump SAE A Mount, 5/8" Keyed Shaft

Part #	List Price \$	CC	Maximum Pressure (bar)		Max/Min Speed (RPM)	Port S	Port P	Dimension (mm)		
			Working	Peak				A	B	C
X2P4152BBBA	646.00	4.2	260	300	3500/700	1/2" BSPP	1/2" BSPP	88.0	39.4	78.0
X2P4352BBBA	646.00	6.0	260	300	3500/700	1/2" BSPP	1/2" BSPP	91.0	39.4	81.0
X2P4552BCBA	646.00	8.4	260	300	3500/700	3/4" BSPP	1/2" BSPP	95.0	41.4	85.0
X2P4752BCBA	667.00	10.8	260	300	3500/700	3/4" BSPP	1/2" BSPP	99.0	45.8	89.0
X2P4952BCBA	667.00	14.4	250	250	3500/700	3/4" BSPP	1/2" BSPP	105.0	45.8	95.0
X2P5152BDCA	667.00	16.8	214	214	3500/700	1" BSPP	3/4" BSPP	109.0	45.8	99.0
X2P5352BDCA	680.00	19.2	188	188	3000/700	1" BSPP	3/4" BSPP	113.0	45.8	103.0
X2P5552BDCA	680.00	22.8	158	158	3000/700	1" BSPP	3/4" BSPP	119.0	53.3	109.0
X2P5752BDCA	680.00	26.2	138	138	3000/700	1" BSPP	3/4" BSPP	123.0	53.3	113.0
X2P5952BDCA	761.00	30.0	120	120	2500/700	1" BSPP	3/4" BSPP	131.0	61.5	121.0
X2P6152BDCA	761.00	34.2	105	105	2500/700	1" BSPP	3/4" BSPP	138.0	61.5	128.0
X2P6352BDCA	761.00	39.6	91	91	2000/700	1" BSPP	3/4" BSPP	147.0	61.5	137.0

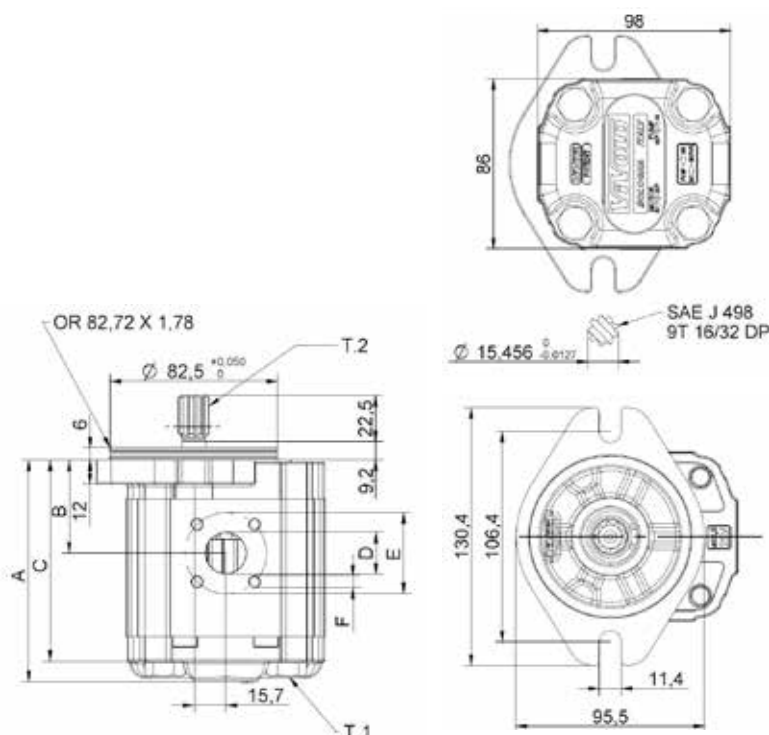
Group 2 Pump SAE A Mount, 5/8" 9 Tooth Splined Shaft

Part #	List Price \$	CC	Maximum Pressure (bar)		Max/Min Speed (RPM)	Port S	Port P	Dimension (mm)		
			Working	Peak				A	B	C
X2P4152IBBA	646.00	4.2	260	300	3500/700	1/2" BSPP	1/2" BSPP	88.0	39.4	78.0
X2P4352IBBA	646.00	6.0	260	300	3500/700	1/2" BSPP	1/2" BSPP	91.0	39.4	81.0
X2P4552ICBA	646.00	8.4	260	300	3500/700	3/4" BSPP	1/2" BSPP	95.0	41.4	85.0
X2P4752ICBA	667.00	10.8	260	300	3500/700	3/4" BSPP	1/2" BSPP	99.0	45.8	89.0
X2P4952ICBA	667.00	14.4	249	249	3500/700	3/4" BSPP	1/2" BSPP	105.0	45.8	95.0
X2P5152IDCA	667.00	16.8	213	213	3500/700	1" BSPP	3/4" BSPP	109.0	45.8	99.0
X2P5352IDCA	680.00	19.2	187	187	3000/700	1" BSPP	3/4" BSPP	113.0	45.8	103.0
X2P5552IDCA	680.00	22.8	157	157	3000/700	1" BSPP	3/4" BSPP	119.0	53.3	109.0
X2P5752IDCA	680.00	26.2	137	137	3000/700	1" BSPP	3/4" BSPP	123.0	53.3	113.0
X2P5952IDCA	761.00	30.0	119	119	2500/700	1" BSPP	3/4" BSPP	131.0	61.5	121.0
X2P6152IDCA	761.00	34.2	105	105	2500/700	1" BSPP	3/4" BSPP	138.0	61.5	128.0
X2P6352IDCA	761.00	39.6	90	90	2000/700	1" BSPP	3/4" BSPP	147.0	61.5	137.0

Priority head options on page 129



MADE IN EUROPE



Group 2 Pump SAE A Mount, 10 Tooth Shaft (Cast Iron End Plates)

Part #	List Price \$	CC	Maximum Pressure (bar)		Max/Min Speed (RPM)	Port S	Port P	Dimension (mm)		
			Working	Peak				A	B	C
G2P5152RDCA	973.00	16.8	230	270	3500/700	1" BSPP	3/4" BSPP	107.0	53	101.0
G2P5552RDCA	1011.00	22.8	200	240	3000/700	1" BSPP	3/4" BSPP	117.0	58	111.0
G2P5752RDCA	1011.00	26.2	170	210	3000/700	1" BSPP	3/4" BSPP	121.0	60	115.0
G2P5952RDCA	1069.00	30.0	160	200	2500/700	1" BSPP	3/4" BSPP	129.0	64	123.0
G2P6152RDCA	1069.00	34.2	150	190	2500/700	1" BSPP	3/4" BSPP	136.0	67.5	130.0

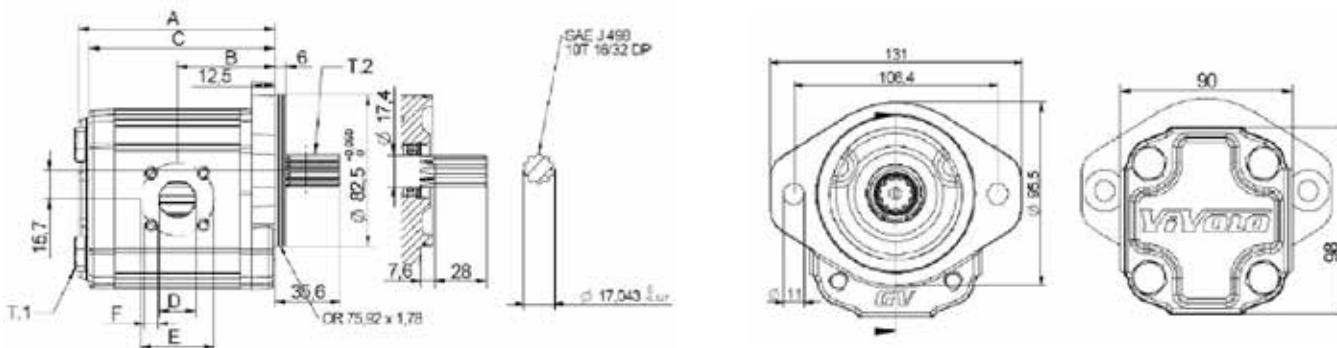
Group 2 Pump SAE A Mount, 11 Tooth Shaft (Cast Iron End Plates)

Part #	List Price \$	CC	Maximum Pressure (bar)		Max/Min Speed (RPM)	Port S	Port P	Dimension (mm)		
			Working	Peak				A	B	C
G2P4152SBBA	932.00	4.2	260	300	3500/700	1/2" BSPP	1/2" BSPP	86.0	42.5	80.0
G2P4352SCBA	932.00	6.0	260	300	3500/700	3/4" BSPP	1/2" BSPP	89.0	44	83.0
G2P4552SCBA	932.00	8.4	260	300	3500/700	3/4" BSPP	1/2" BSPP	93.0	46	87.0
G2P4752SCBA	932.00	10.8	260	300	3500/700	3/4" BSPP	1/2" BSPP	97.0	48	91.0
G2P4952SCBA	973.00	14.4	250	290	3500/700	3/4" BSPP	1/2" BSPP	103.0	51	97.0
G2P5152SCBA	973.00	16.8	230	270	3500/700	3/4" BSPP	1/2" BSPP	107.0	53	101.0
G2P5352SDCA	1011.00	19.2	210	250	3000/700	1" BSPP	3/4" BSPP	111.0	55	105.0
G2P5552SDCA	1011.00	22.8	200	240	3000/700	1" BSPP	3/4" BSPP	117.0	58	111.0
G2P5752SDCA	1011.00	26.2	170	210	3000/700	1" BSPP	3/4" BSPP	121.0	60	115.0

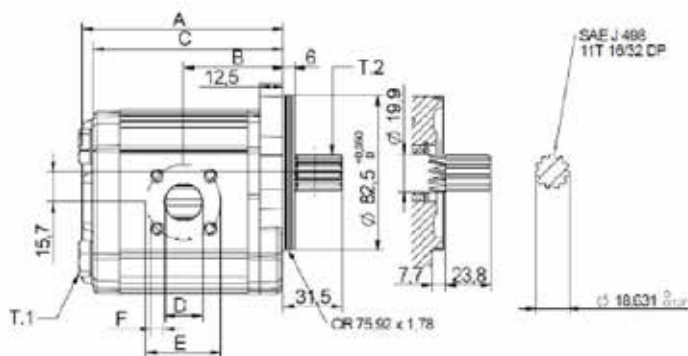


MADE IN EUROPE

10 Tooth



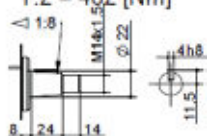
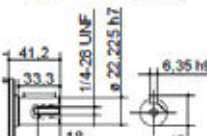
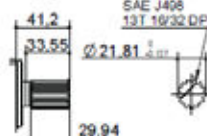
11 Tooth



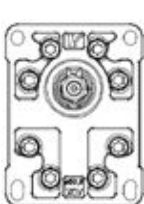
ORDER CODES FOR VVOIL GROUP 3 PUMPS


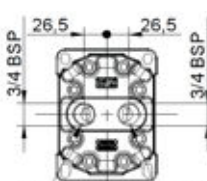
Series	Group	Pump	Displacement	Flange	Shaft	Inlet Port	Outlet Port	Rear Cover
X	3	P	66	32	I	D	D	A

DISPLACEMENT	
14.89cc	66
17.37cc	68
21.10cc	70
26.97cc	72
32.27cc	74
38.47cc	78
43.44cc	79
47.16cc	80
50.88cc	81
54.60cc	82
60.81cc	83
64.53cc	85
70.74cc	86
74.46cc	87
86.87cc	89

SHAFT	
<p>CO001 - Tapered</p> <p>T.2 = 482 [Nm]</p>  <p>Tapered 1.8 Ø 22mm M14x1.5 - Key 4mm</p>	A
<p>CI004 - Parallel</p> <p>T.2 = 180 [Nm]</p>  <p>Parallel Ø 7/8" - Key 6.35mm</p>	
<p>SCF04 - Splined</p> <p>T.2 = 264 [Nm]</p>  <p>Splined 7/8" 13t</p>	I

PORTS	INLET	OUTLET
14.9cc	D	D
17.4cc	E	D
21.1cc	E	D
27.0cc	E	D
32.3cc	E	D
38.5cc	E	D
43.4cc	F	E
47.2cc	F	E
50.9cc	F	E
54.6cc	F	E
60.8cc	F	E
64.5cc	F	E
70.7cc	F	E
74.5cc	F	F
86.9cc	F	F
D = 3/4" BSPP		
E = 1" BSPP		
F = 1.1/4" BSPP		

	FLANGE	
	LEFT ROTATION	RIGHT ROTATION
 <p>DIN Group 3</p>	01	02
 <p>SAE-B</p>	31	32

REAR COVER	
	A
	D

Please note:
Additional costs apply for non-standard options

Group 3 Pump DIN Mount, 1:8 Tapered Shaft

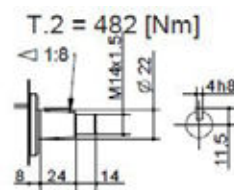
Part #	List Price \$	CC	Maximum Pressure (bar)		Max/Min Speed (RPM)	Port S	Port P	Dimension (mm)	
			Working	Peak				A	B
X3P6602ADDA	1339.00	14.89	300	320	3000/700	3/4" BSPP	3/4" BSPP	124.0	61.0
X3P6802AEDA	1339.00	17.37	300	320	3000/700	1" BSPP	3/4" BSPP	126.0	62.0
X3P7002AEDA	1339.00	21.10	280	300	3000/700	1" BSPP	3/4" BSPP	129.0	63.5
X3P7202AEDA	1339.00	26.97	250	270	3000/700	1" BSPP	3/4" BSPP	133.0	65.5
X3P7402AEDA	1339.00	32.27	250	270	3000/700	1" BSPP	3/4" BSPP	138.0	68.0
X3P7802AEDA	1427.00	38.47	250	270	2800/700	1" BSPP	3/4" BSPP	143.0	70.5
X3P7902AFEA	1427.00	43.44	250	270	2800/700	1.1/4" BSPP	1" BSPP	147.0	72.5
X3P8002AFEA	1427.00	47.16	230	250	2800/700	1.1/4" BSPP	1" BSPP	150.0	74.0
X3P8102AFEA	1494.00	50.88	230	250	2800/700	1.1/4" BSPP	1" BSPP	153.0	75.5
X3P8202AFEA	1494.00	54.60	230	250	2300/700	1.1/4" BSPP	1" BSPP	156.0	77.0
X3P8302AFEA	1494.00	60.81	230	250	2300/700	1.1/4" BSPP	1" BSPP	161.0	79.5
X3P8502AFEA	1494.00	64.53	210	230	2300/700	1.1/4" BSPP	1" BSPP	164.0	81.0
X3P8602AFEA	1563.00	70.74	200	220	2300/700	1.1/4" BSPP	1" BSPP	169.0	83.5
X3P8702AFFA	1563.00	74.46	180	200	2300/700	1.1/4" BSPP	1.1/4" BSPP	172.0	85.0
X3P8902AFFA	1589.00	86.87	150	170	2300/700	1.1/4" BSPP	1.1/4" BSPP	182.0	90.0

Group 3 Pump Seal Kit

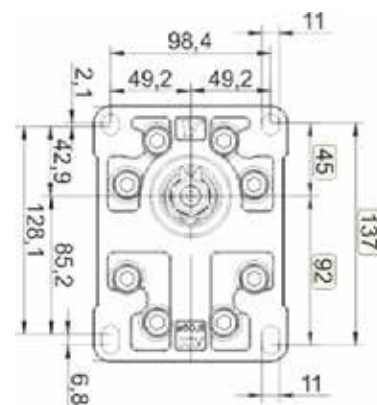
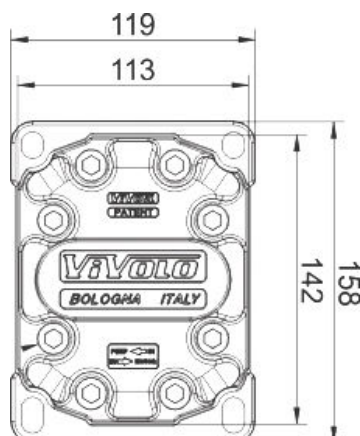
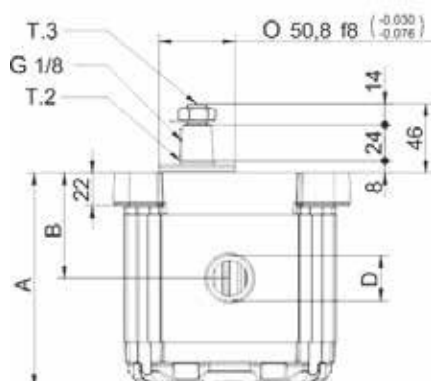
Part #	List Price \$	Material
8KGX3P1.A	155.00	NBR
8KGX3P1.V	309.00	Viton



MADE IN EUROPE



CW (standard) or CCW rotation available

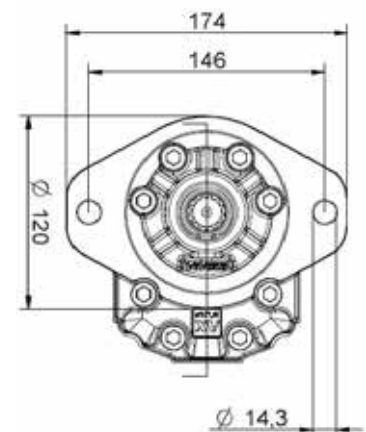
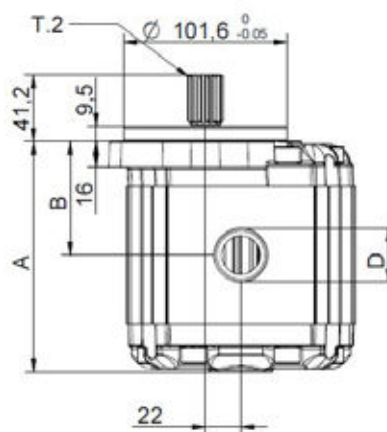
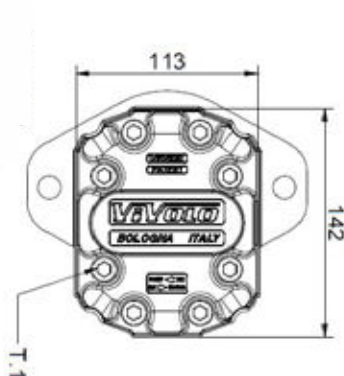
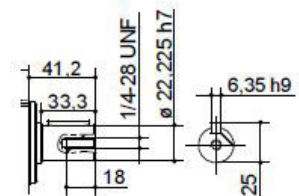


Group 3 Pump SAE B Mount, 7/8" Keyed Shaft

Part #	List Price \$	CC	Maximum Pressure (bar)		Max/Min Speed (RPM)	Port S	Port P	Dimension (mm)	
			Working	Peak				A	B
X3P7032HEDA	1339.00	21.10	280	300	3000/700	1" BSPP	3/4" BSPP	129.0	63.5
X3P7232HEDA	1339.00	26.97	250	270	3000/700	1" BSPP	3/4" BSPP	133.0	65.5
X3P7432HEDA	1339.00	32.27	250	270	3000/700	1" BSPP	3/4" BSPP	138.0	68.0
X3P7832HEDA	1427.00	38.47	250	250	2800/700	1" BSPP	3/4" BSPP	143.0	70.5
X3P7932HFEA	1427.00	43.44	221	221	2800/700	1.1/4" BSPP	1" BSPP	147.0	72.5
X3P8032HFEA	1427.00	47.16	204	204	2800/700	1.1/4" BSPP	1" BSPP	150.0	74.0
X3P8132HFEA	1494.00	50.88	189	189	2800/700	1.1/4" BSPP	1" BSPP	153.0	75.5
X3P8232HFEA	1494.00	54.60	176	176	2300/700	1.1/4" BSPP	1" BSPP	156.0	77.0
X3P8332HFEA	1494.00	60.81	158	158	2300/700	1.1/4" BSPP	1" BSPP	161.0	79.5
X3P8532HFEA	1494.00	64.53	149	149	2300/700	1.1/4" BSPP	1" BSPP	164.0	81.0
X3P8732HFFA	1563.00	74.46	129	129	2300/700	1.1/4" BSPP	1.1/4" BSPP	172.0	85.0



MADE IN EUROPE

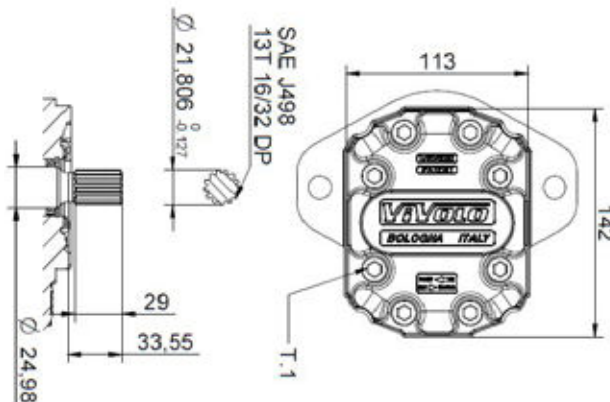
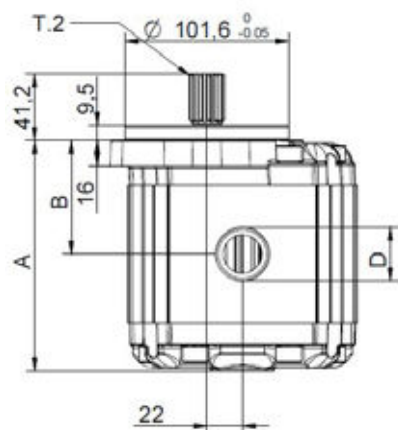
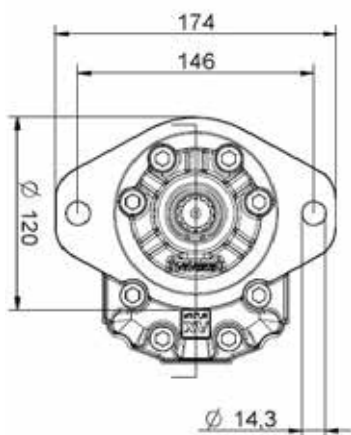


Group 3 Pump SAE B Mount, 7/8" 13 Tooth Splined Shaft

Part #	List Price \$	CC	Maximum Pressure (bar)		Max/Min Speed (RPM)	Port S	Port P	Dimension (mm)	
			Working	Peak				A	B
X3P6632IDDA	1339.00	14.89	300	320	3000/700	3/4" BSPP	3/4" BSPP	124.0	61.0
X3P6832IEDA	1339.00	17.37	300	320	3000/700	1" BSPP	3/4" BSPP	126.0	62.0
X3P7032IEDA	1339.00	21.10	280	300	3000/700	1" BSPP	3/4" BSPP	129.0	63.5
X3P7232IEDA	1339.00	26.97	250	270	3000/700	1" BSPP	3/4" BSPP	133.0	65.5
X3P7432IEDA	1339.00	32.27	250	270	3000/700	1" BSPP	3/4" BSPP	138.0	68.0
X3P7832IEDA	1427.00	38.47	250	270	2800/700	1" BSPP	3/4" BSPP	143.0	70.5
X3P7932IFEA	1427.00	43.44	250	270	2800/700	1.1/4" BSPP	1" BSPP	147.0	72.5
X3P8032IFEA	1427.00	47.16	230	250	2800/700	1.1/4" BSPP	1" BSPP	150.0	74.0
X3P8132IFEA	1494.00	50.88	230	250	2800/700	1.1/4" BSPP	1" BSPP	153.0	75.5
X3P8232IFEA	1494.00	54.60	230	250	2300/700	1.1/4" BSPP	1" BSPP	156.0	77.0
X3P8332IFEA	1494.00	60.81	230	232	2300/700	1.1/4" BSPP	1" BSPP	161.0	79.5
X3P8532IFEA	1494.00	64.53	210	218	2300/700	1.1/4" BSPP	1" BSPP	164.0	81.0
X3P8632IFEA	1563.00	70.74	199	199	2300/700	1.1/4" BSPP	1" BSPP	169.0	83.5
X3P8732IFFA	1563.00	74.46	180	189	2300/700	1.1/4" BSPP	1.1/4" BSPP	172.0	85.0
X3P8932IFFA	1589.00	86.87	150	162	2300/700	1.1/4" BSPP	1.1/4" BSPP	182.0	90.0

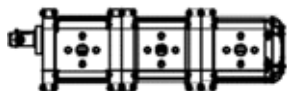
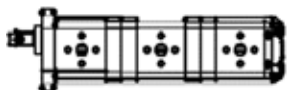
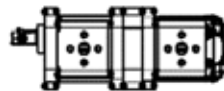


MADE IN EUROPE



ORDER CODES FOR VIVOIL MULTIPLE PUMPS

	Body Shape	No. of Elements	Flange/Rotation	Shaft	Ports	Rear Cover	Displacement CCs		
9	M	2	02	E	G	A	16		

BODY SHAPE		
M	Standard	
S	Shaped	
T	Separated Stages	



MADE IN EUROPE

NO. OF ELEMENTS	ADAPTOR	List Price \$		
		M	S	T
2+	OP + OP	72.00	-	-
	1P + OP	350.00	-	-
	1P + 1P	87.00	180.00	420.00
	2P + 1P	146.00	-	680.00
	2P + OP	415.00	-	-
	2P + 2P	94.00	260.00	520.00
	3P + 1P	272.00	-	-
	3P + OP	500.00	-	-
	3P + 2P	262.00	380.00	586.00
	3P + 3P	240.00	-	-

FLANGE & ROTATION

DIN Flange		SAE Flange		Group
CW	CCW	CW	CCW	
02	01	n/a	n/a	Group 0
02	01	62	61	Group 1
02	01	52	51	Group 2
02	01	32	31	Group 3

SHAFT

A	Group 0	7mm Keyed
F	Group 1	DIN 1:8 Taper
E	Group 2	DIN 1:8 Taper
I		5/8" 9T Spline SAE A
B		5/8" Keyed SAE A
A	Group 3	DIN 1:8 Taper
H		7/8" Keyed SAE B
I		7/8" 13T Spline SAE B

Note: Other shafts available ex-Vivoil on request

PORTS

G

BSPP

* Others available ex-Vivoil on request



REAR COVER

List Price \$

		Group 1	Group 2	Group 3
A	Standard blank cover	-	-	-
B	Rear suction port	175.48	184.04	442.98
C	Rear pressure port	175.48	184.04	442.98
D	Rear suction & pressure ports	175.48	184.04	442.98
O	Rear relief with internal drain	371.29	455.82	-

DISPLACEMENT

Group 0		Group 1		Group 2		Group 3					
Pump (cc)	List Price \$	Pump (cc)	List Price \$	Pump (cc)	List Price \$	Pump (cc)	List Price \$				
01	0.16	468.00	16	0.91	526.00	41	4.20	678.00	66	14.89	1405.00
02	0.24	468.00	17	1.17	526.00	43	6.00	678.00	68	17.37	1405.00
04	0.45	468.00	18	1.56	526.00	45	8.40	678.00	70	21.10	1405.00
05	0.56	468.00	20	2.08	526.00	47	10.80	701.00	72	26.97	1405.00
06	0.75	468.00	21	2.60	526.00	49	14.40	701.00	74	32.27	1405.00
07	0.92	468.00	23	3.12	526.00	51	16.80	701.00	78	38.47	1497.00
09	1.26	515.00	25	3.64	526.00	53	19.20	713.00	79	43.44	1497.00
11	1.48	515.00	27	4.16	526.00	55	22.80	713.00	80	47.16	1497.00
13	2.28	515.00	29	4.94	555.00	57	26.20	713.00	81	50.88	1568.00
			31	5.85	555.00	59	30.00	799.00	82	54.60	1568.00
			32	6.50	555.00	61	34.20	799.00	83	60.81	1568.00
			34	7.54	555.00	63	39.60	799.00	85	64.53	1568.00
			36	9.88	555.00				86	70.74	1641.00
									87	74.46	1641.00
									89	86.87	1777.00



MADE IN EUROPE

Group 1 Pump (European Standard) 4-Bolt Mount, 1:8 Tapered Shaft

Part #	List Price \$	Part #	List Price \$	CC	Port		Max Continuous Speed (RPM)	Max Continuous Pressure (Bar)	Weight (Kg)
					Ports: BSPP	Ports: Flanged			
NEW 10C1X053G	390.00	10C1X026	390.00	1	3/8"	3/8"	3500	250	1
NEW 10C1.25X053G	390.00	10C1.25X026	390.00	1.25	3/8"	3/8"	3500	250	1
NEW 10C1.6X053G	390.00	10C1.6X026	390.00	1.6	3/8"	3/8"	3500	250	1
NEW 10C2X053G	390.00	10C2X026	390.00	2	3/8"	3/8"	3500	250	1
NEW 10C2.5X053G	400.00	10C2.5X026	400.00	2.5	3/8"	3/8"	3500	250	1.1
NEW 10C3.15X053G	400.00	10C3.15X026	400.00	3.15	1/2"	3/8"	3500	250	1.1
NEW 10C3.65X053G	400.00	10C3.65X026	400.00	3.65	1/2"	3/8"	3500	250	1.2
NEW 10C4.2X053G	400.00	10C4.2X026	400.00	4.2	1/2"	3/8"	3500	250	1.2
NEW 10C5X053G	400.00	10C5X026	400.00	5	1/2"	3/8"	3000	250	1.2
NEW 10C5.7X053G	410.00	10C5.7X026	410.00	5.7	1/2"	3/8"	3000	200	1.3
NEW 10C6.1X053G	410.00	10C6.1X026	410.00	6.1	1/2"	3/8"	2500	200	1.3
NEW 10C7.4X053G	410.00	10C7.4X026	410.00	7.4	1/2"	3/8"	2500	180	1.4
NEW 10C8.5X053G	410.00	10C8.5X026	410.00	8.5	1/2"	3/8"	2000	150	1.5
NEW 10C9.8X053G	410.00	10C9.8X026	410.00	9.8	1/2"	3/8"	2000	120	1.6

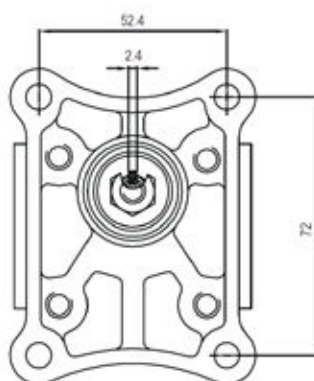
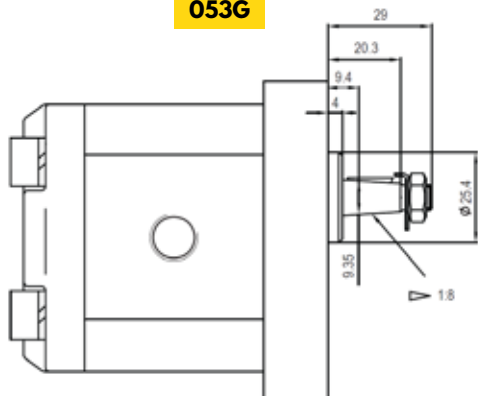
Note: additional charges apply to non-standard pumps

Group 1 Pump Seal Kits & Port Adaptors

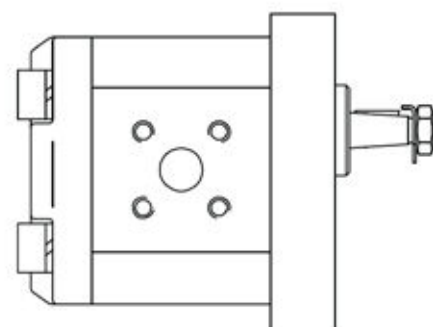
Part #	List Price \$	Description
NEW GR105-SK	40.00	Seal kit
NEW GR105-SS	10.00	Shaft seal only
NEW G3/8	55.00	Port adaptor: alloy elbow 2-bolt, mount PCD 30mm, female 3/8" BSPP
NEW G1/2	55.00	Port adaptor: alloy elbow 2-bolt, mount PCD 30mm, female 1/2" BSPP



053G



026G



Group 2 Pump (European Standard) 4-Bolt Mount, 1:8 Tapered Shaft

Part #	List Price \$	Part #	List Price \$	CC	Port		Max Continuous Speed (RPM)	Max Continuous Pressure (Bar)	Weight (Kg)
					Suction	Pressure			
NEW 20C4.5X687G	520.00	20C4.5X006	520.00	4.5	1/2"	1/2"	3500	250	3.3
NEW 20C6.3X687G	520.00	20C6.3X006	520.00	6.3	1/2"	1/2"	3500	250	3.4
NEW 20C8.2X687G	520.00	20C8.2X006	520.00	8.2	1/2"	1/2"	3500	250	3.4
NEW 20C11X016G	520.00	20C11X006	520.00	11.3	3/4"	1/2"	3500	250	3.6
NEW 20C14X016G	530.00	20C14X006	530.00	14	3/4"	1/2"	3500	250	3.7
NEW 20C16X016G	530.00	20C16X006	530.00	16	3/4"	1/2"	2500	250	3.8
NEW 20C19X016G	530.00	20C19X006	530.00	19	3/4"	1/2"	2500	200	3.9
NEW 20C22X016G	530.00	20C22X006	530.00	22	3/4"	1/2"	2000	180	4.1
NEW 20C25X016HG	540.00	20C25X006H	540.00	25	3/4"	1/2"	2500	160	4.5
NEW 20C28X016HG	540.00	20C28X006H	540.00	28	1"	3/4"	2500	130	4.6
NEW 20C32X016HG	540.00	20C32X006H	540.00	32	1"	3/4"	2000	120	4.9
NEW 20C36X016HG	540.00	20C36X006H	540.00	36	1"	3/4"	2000	100	5

Note: additional charges apply to non-standard pumps

Group 2 Pump Seal Kits & Port Adaptors

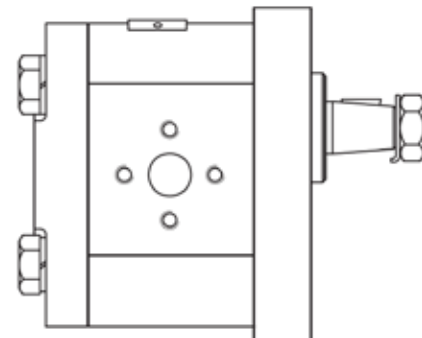
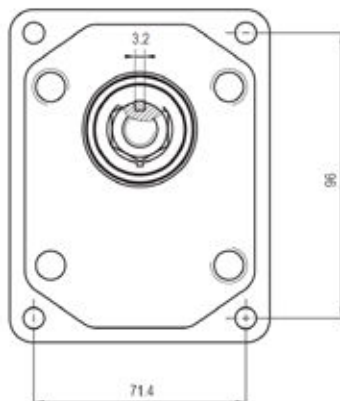
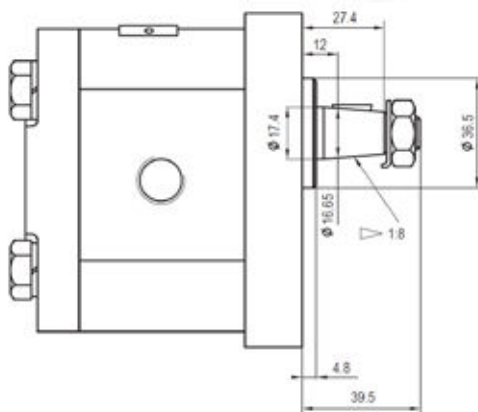
Part #	List Price \$	Description
NEW GR205-SK	70.00	Seal kit
NEW GR205-SKV	130.00	Seal kit (viton)
NEW GR205-SS	20.00	Shaft seal only
NEW GR205-SSV	30.00	Shaft seal (viton) only
NEW GR205-SST	40.00	Shaft seal high pressure (30 bar)
NEW G1/2	55.00	Port adaptor: alloy elbow 2-bolt, mount PCD 30mm, female 1/2" BSPP
NEW G3/4	55.00	Port adaptor: alloy elbow 2-bolt, mount PCD 40mm, female 3/4" BSPP
NEW G1	75.00	Port adaptor: alloy elbow 2-bolt, mount PCD 50.8mm, female 1" BSPP



687G



006



Group 2 Pump (American Standard) SAE-A 2-Bolt Mount, 5/8" Shaft (Keyed or 9T Splined)

Part #	List Price \$	Part #	List Price \$	CC	Ports (BSPP)		Max Continuous Speed (RPM)	Max Continuous Pressure (Bar)	Weight (Kg)
		Shaft: Keyed			Shaft: 9T Splined	Suction			
NEW 20C4.5X030G	520.00	20C4.5X085G	520.00	4.5	1/2"	1/2"	3500	250	3.4
NEW 20C6.3X030G	520.00	20C6.3X085G	520.00	6.3	1/2"	1/2"	3500	250	3.5
NEW 20C8.2X030G	520.00	20C8.2X085G	520.00	8.2	1/2"	1/2"	3500	250	3.5
NEW 20C11X030G	520.00	20C11X085G	520.00	11.3	3/4"	1/2"	3500	250	3.7
NEW 20C14X030G	530.00	20C14X085G	530.00	14	3/4"	1/2"	3500	250	3.8
NEW 20C16X030G	530.00	20C16X085G	530.00	16	3/4"	1/2"	2500	250	3.9
NEW 20C19X030G	530.00	20C19X085G	530.00	19	3/4"	1/2"	2500	200	4
NEW 20C22X030G	530.00	20C22X085G	530.00	22	3/4"	1/2"	2000	180	4.2
NEW 20C25X030HG	540.00	20C25X085HG	540.00	25	3/4"	1/2"	2500	160	4.6
NEW 20C28X030HG	540.00	20C28X085HG	540.00	28	1"	3/4"	2500	130	4.7
NEW 20C32X030HG	540.00	20C32X085HG	540.00	32	1"	3/4"	2000	120	5
NEW 20C36X030HG	540.00	20C36X085HG	540.00	36	1"	3/4"	2000	100	5.1

Note: additional charges apply to non-standard pumps

Group 2 Pump Seal Kits

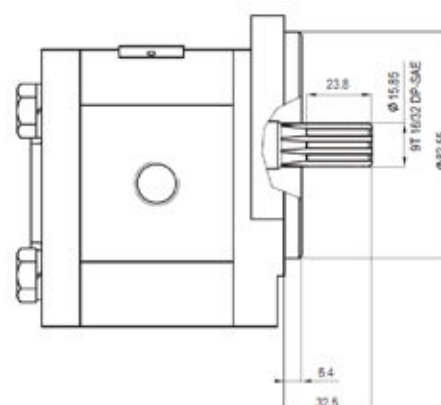
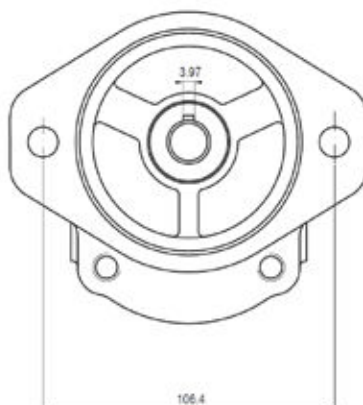
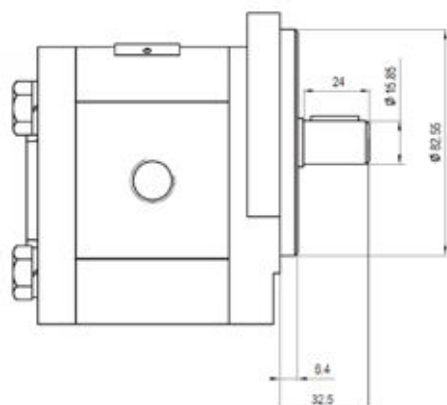
Part #	List Price \$	Description
NEW GR205-SK	70.00	Seal kit
NEW GR205-SKV	130.00	Seal kit (viton)
NEW GR205-SS	20.00	Shaft seal only
NEW GR205-SSV	30.00	Shaft seal (viton) only



030G



085G



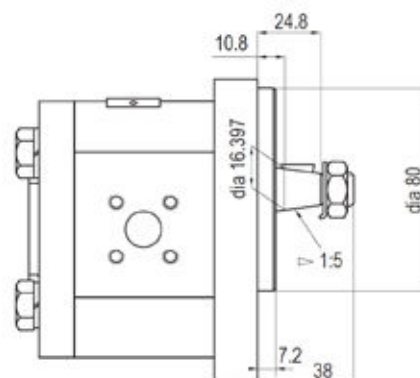
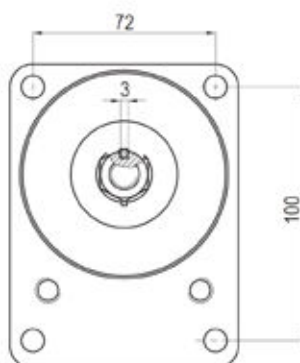
Group 2 Pump (German Standard) 4-Bolt Mount, 1:5 Taper or 9T Splined Shaft

Part #	List Price \$	Part #	List Price \$	CC	Ports (Flanged)		Max Continuous Speed (RPM)	Max Continuous Pressure (Bar)
					Suction	Pressure		
NEW 20A4.5X086	520.00	20A4.5X021	520.00	4.5	G206	G205	3500	250
NEW 20A6.3X086	520.00	20A6.3X021	520.00	6.3	G206	G205	3500	250
NEW 20A8.2X086	520.00	20A8.2X021	520.00	8.2	G206	G205	3500	250
NEW 20A11X086	520.00	20A11X021	520.00	11	G206	G205	3500	250
NEW 20A14X086	530.00	20A14X021	530.00	14	G206	G205	3500	250
NEW 20A16X086	530.00	20A16X021	530.00	16	G206	G205	2500	250
NEW 20A19X086	530.00	20A19X021	530.00	19	G206	G205	2500	200
NEW 20A22X086	530.00	20A22X021	530.00	22	G206	G205	2000	180
NEW 20A25X086H	540.00	20A25X021H	540.00	25	G206	G205	2500	160

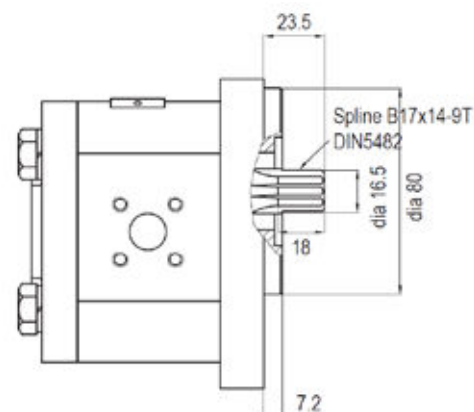
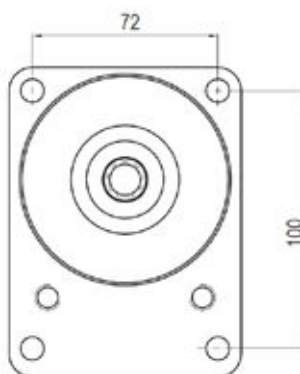
Note: additional charges apply to non-standard pumps

Group 2 Pump Seal Kits & Port Adaptors

Part #	List Price \$	Description
NEW GR205-SK	70.00	Seal kit
NEW GR205-SKV	130.00	Seal kit (viton)
NEW GR205-SS	20.00	Shaft seal only
NEW GR205-SSV	30.00	Shaft seal (viton) only
NEW G205	65.00	Port adaptor: alloy elbow 4-bolt, mount PCD 30mm, female 1/2" BSPP
NEW G206	75.00	Port adaptor: alloy elbow 4-bolt, mount PCD 40mm, female 3/4" BSPP



086



021

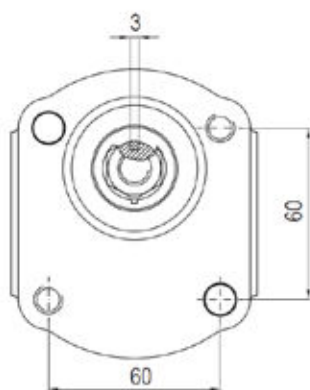
Group 2 Pump (German Standard) 2-Bolt KHD or IHC Mount, 1:5 Taper Shaft

Part #	List Price \$	Part #	List Price \$	CC	Ports (Flanged)		Max Continuous Speed (RPM)	Max Continuous Pressure (Bar)
					KHD Mount	IHC Mount		
NEW 20A4.5X007	520.00	20A4.5X008	520.00	4.5	G206	G205	3500	250
NEW 20A6.3X007	520.00	20A6.3X008	520.00	6.3	G206	G205	3500	250
NEW 20A8.2X007	520.00	20A8.2X008	520.00	8.2	G206	G205	3500	250
NEW 20A11X007	520.00	20A11X008	520.00	11	G206	G205	3500	250
NEW 20A14X007	530.00	20A14X008	530.00	14	G206	G205	3500	250
NEW 20A16X007	530.00	20A16X008	530.00	16	G206	G205	2500	250
NEW 20A19X007	530.00	20A19X008	530.00	19	G206	G205	2500	200
NEW 20A22X007	530.00	20A22X008	530.00	22	G206	G205	2000	180
NEW 20A25X007H	540.00	20A25X008H	540.00	25	G206	G205	2500	160

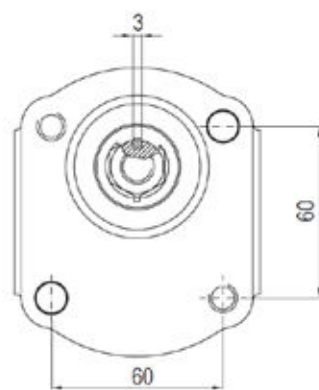
Note: additional charges apply to non-standard pumps

Group 2 Pump Seal Kits & Port Adaptors

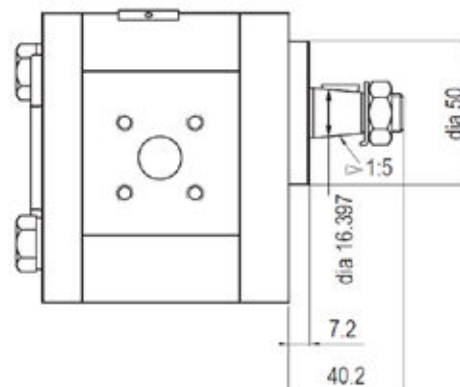
Part #	List Price \$	Description
NEW GR205-SK	70.00	Seal kit
NEW GR205-SKV	130.00	Seal kit (viton)
NEW GR205-SS	20.00	Shaft seal only
NEW GR205-SSV	30.00	Shaft seal (viton) only
NEW G205	65.00	Port adaptor: alloy elbow 4-bolt, mount PCD 30mm, female 1/2" BSPP
NEW G206	75.00	Port adaptor: alloy elbow 4-bolt, mount PCD 40mm, female 3/4" BSPP



007



008



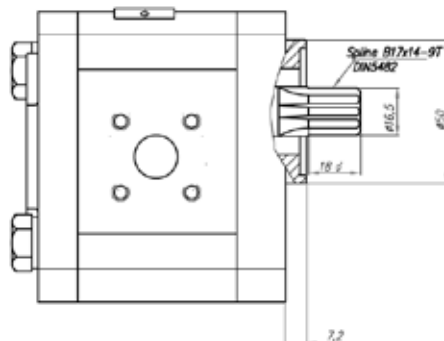
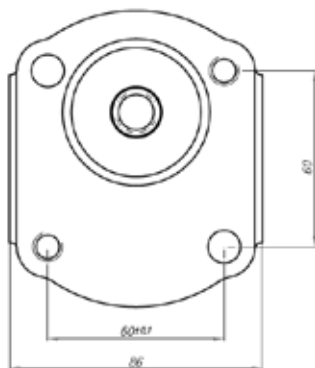
Group 2 Pump (German Standard) 2-Bolt KHD or SAE-A Mount, 9T Splined Shaft (16.5mm or 5/8")

Part #	List Price \$	Part #	List Price \$	CC	Ports (Flanged)		Max Continuous Speed (RPM)	Max Continuous Pressure (Bar)
					KHD, 16.5mm 9T	SAE-A, 5/8" 9T		
NEW 20A4.5X205	520.00	20C4.5X104	520.00	4.5	G206	G205	3500	250
NEW 20A6.3X205	520.00	20C6.3X104	520.00	6.3	G206	G205	3500	250
NEW 20A8.2X205	520.00	20C8.2X104	520.00	8.2	G206	G205	3500	250
NEW 20A11X205	520.00	20C11X104	520.00	11	G206	G205	3500	250
NEW 20A14X205	530.00	20C14X104	530.00	14	G206	G205	3500	250
NEW 20A16X205	530.00	20C16X104	530.00	16	G206	G205	2500	250
NEW 20A19X205	530.00	20C19X104	530.00	19	G206	G205	2500	200
NEW 20A22X205	530.00	20C22X104	530.00	22	G206	G205	2000	180
NEW 20A25X205H	540.00	20C25X104H	540.00	25	G206	G205	2500	160

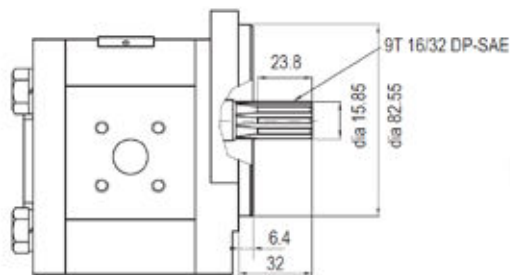
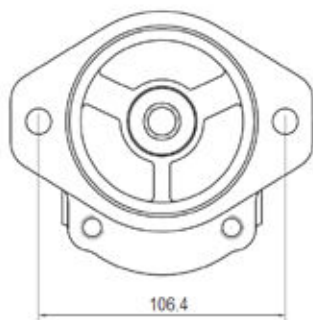
Note: additional charges apply to non-standard pumps

Group 2 Pump Seal Kits & Port Adaptors

Part #	List Price \$	Description
NEW GR205-SK	70.00	Seal kit
NEW GR205-SKV	130.00	Seal kit (viton)
NEW GR205-SS	20.00	Shaft seal only
NEW GR205-SSV	30.00	Shaft seal (viton) only
NEW G205	65.00	Port adaptor: alloy elbow 4-bolt, mount PCD 30mm, female 1/2" BSPP
NEW G206	75.00	Port adaptor: alloy elbow 4-bolt, mount PCD 40mm, female 3/4" BSPP



205



104

Group 2 Pump SAE-A 2-Bolt Mount, 3/4" Shaft (11T Splined or Straight Keyed)

Part #	List Price \$	Part #	List Price \$	CC	Ports (UNF)		Max Continuous Speed (RPM)	Max Continuous Pressure (Bar)	Weight (Kg)
					Suction	Pressure			
Shaft: 11T Splined		Shaft: Straight Keyed							
NEW 20C14X550HDU	530.00	20C14X853HDU	530.00	14	1.1/16"	7/8"	3500	250	4.2
NEW 20C16X550HDU	530.00	20C16X853HDU	530.00	16	1.1/16"	7/8"	3500	250	4.2
NEW 20C19X550HDU	530.00	20C19X853HDU	530.00	19	1.1/16"	7/8"	3500	230	4.3
NEW 20C22X550HDU	530.00	20C22X853HDU	530.00	22	1.1/16"	7/8"	3500	200	4.5
NEW 20C25X550HDU	540.00	20C25X853HDU	540.00	25	1.1/16"	7/8"	3500	200	4.9
NEW 20C28X550HDU	540.00	20C28X853HDU	540.00	28	1.5/16"	1.1/16"	2500	170	5
NEW 20C32X550HDU	540.00	20C32X853HDU	540.00	32	1.5/16"	1.1/16"	2500	150	5.3
NEW 20C36X550HDU	540.00	20C36X853HDU	540.00	36	1.5/16"	1.1/16"	2500	120	5.4

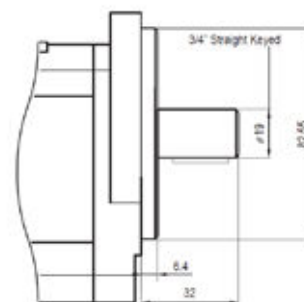
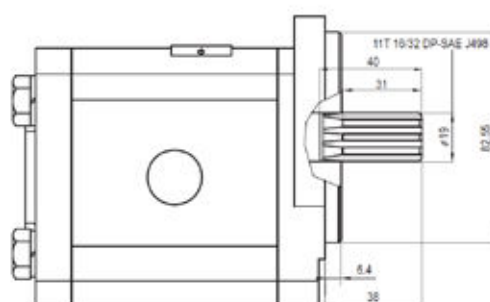
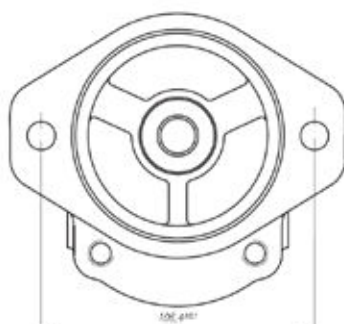
Note: additional charges apply to non-standard pumps

Group 2 Pump Seal Kits & Port Adaptors

Part #	List Price \$	Description
NEW GR205-SK	70.00	Seal kit
NEW GR205-SKV	130.00	Seal kit (viton)
NEW GR205-SS	20.00	Shaft seal only
NEW GR205-SSV	30.00	Shaft seal (viton) only
NEW G205	65.00	Port adaptor: alloy elbow 4-bolt, mount PCD 30mm, female 1/2" BSPP
NEW G206	75.00	Port adaptor: alloy elbow 4-bolt, mount PCD 40mm, female 3/4" BSPP



MADE IN EUROPE



Group 2 Pump SAE-A 2-Bolt Mount, 17mm 10T Splined Shaft

Part #	List Price \$	CC	Ports (BSPP)		Max Continuous Speed (RPM)	Max Continuous Pressure (Bar)	Weight (Kg)
			Suction	Pressure			
NEW 20C8.2X554G	520.00	8.2	1/2"	1/2"	3500	250	3.5
NEW 20C11X554G	520.00	11.3	3/4"	1/2"	3500	250	3.7
NEW 20C14X554G	530.00	14	3/4"	1/2"	3500	250	3.8
NEW 20C16X554G	530.00	16	3/4"	1/2"	2500	250	3.9
NEW 20C19X554G	530.00	19	3/4"	1/2"	2500	200	4
NEW 20C22X554G	530.00	22	3/4"	1/2"	2000	180	4.2
NEW 20C25X554HG	540.00	25	3/4"	1/2"	2500	160	4.6
NEW 20C28X554HG	540.00	28	1"	3/4"	2500	130	4.7
NEW 20C32X554HG	540.00	32	1"	3/4"	2000	120	5

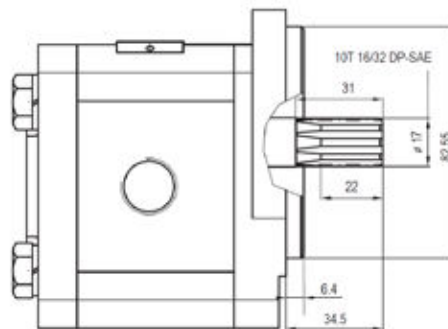
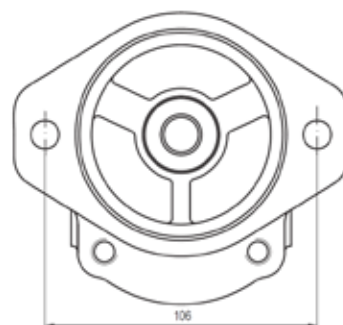
Note: additional charges apply to non-standard pumps

Group 2 Pump Seal Kits & Port Adaptors

Part #	List Price \$	Description
NEW GR205-SK	70.00	Seal kit
NEW GR205-SKV	130.00	Seal kit (viton)
NEW GR205-SS	20.00	Shaft seal only
NEW GR205-SSV	30.00	Shaft seal (viton) only
NEW G205	65.00	Port adaptor: alloy elbow 4-bolt, mount PCD 30mm, female 1/2" BSPP
NEW G206	75.00	Port adaptor: alloy elbow 4-bolt, mount PCD 40mm, female 3/4" BSPP



MADE IN EUROPE



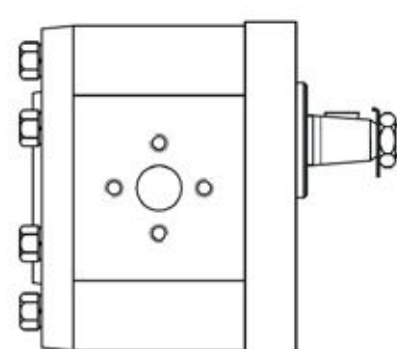
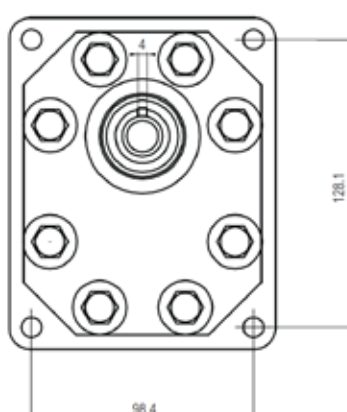
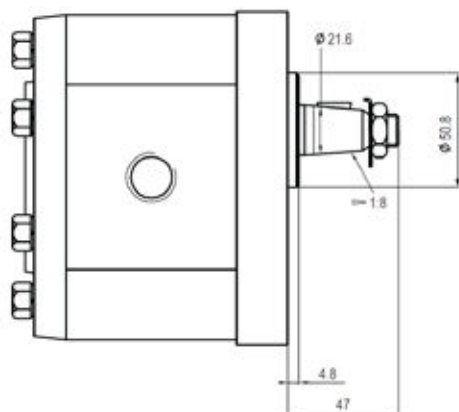
Group 3 Pump (European Standard) 4-Bolt Mount, 1:8 Tapered Shaft

Part #	List Price \$	Part #	List Price \$	CC	Port		Max Continuous Speed (RPM)	Max Continuous Pressure (Bar)	Weight (Kg)
					Ports: BSPP	Ports: Flanged			
NEW 30C20X163HG	940.00	30C20X146H	940.00	20	3/4"	3/4"	3000	250	8
NEW 30C25X163HG	940.00	30C25X146H	940.00	25	3/4"	3/4"	3000	250	8.2
NEW 30C32X163HG	940.00	30C32X146H	940.00	32	1"	3/4"	3000	250	8.8
NEW 30C36X163HG	950.00	30C36X146H	950.00	36	1"	3/4"	2800	250	9.1
NEW 30C42X163HG	950.00	30C42X146H	950.00	42	1"	3/4"	2500	230	9.3
NEW 30C46X163HG	950.00	30C46X146H	950.00	46	1"	3/4"	2300	230	9.6
NEW 30C50X163HG	960.00	30C50X146H	960.00	50	1"	3/4"	2100	200	9.8
NEW 30C55X163HG	960.00	30C55X146H	960.00	55	1"	3/4"	1750	200	9.9
NEW 30C60X163HG	960.00	30C60X146H	960.00	60	1"	3/4"	1750	180	10

Note: additional charges apply to non-standard pumps

Group 3 Pump Seal Kits & Port Adaptors

Part #	List Price \$	Description
NEW GR305-SK	90.00	Seal kit
NEW GR305-SKH	100.00	Seal kit - for H series
NEW GR305-SKHV	120.00	Seal kit for H series (includes viton shaft seal)
NEW GR305-SS	20.00	Shaft seal only
NEW GR305-SSH	30.00	Shaft seal only - for H series
NEW GR305-SSHV	60.00	Shaft seal only - for H series (includes viton shaft seal)
NEW GR305-SST	80.00	Shaft seal only - high pressure (30 bar)
NEW G3/4	55.00	Port adaptor: alloy elbow 2-bolt, mount PCD 40mm, female 3/4" BSPP
NEW G1	75.00	Port adaptor: alloy elbow 2-bolt, mount PCD 50.8mm, female 1" BSPP



Group 3 Pump (American Standard) SAE-B 2-Bolt Mount, 7/8" Keyed or 13T Splined Shaft

Part #	List Price \$	Part #	List Price \$	CC	Port (BSPP)		Max Continuous Speed (RPM)	Max Continuous Pressure (Bar)	Weight (Kg)
					Shaft: Keyed	Shaft: 13T Splined			
NEW 30C20X237HG	1010.00	30C20X236HG	1010.00	20	3/4"	3/4"	3000	250	8.5
NEW 30C25X237HG	1010.00	30C25X236HG	1010.00	25	3/4"	3/4"	3000	250	8.7
NEW 30C32X237HG	1010.00	30C32X236HG	1010.00	32	1"	3/4"	3000	250	9.3
NEW 30C36X237HG	1020.00	30C36X236HG	1020.00	36	1"	3/4"	2800	250	9.6
NEW 30C42X237HG	1020.00	30C42X236HG	1020.00	42	1"	3/4"	2500	230	9.8
NEW 30C46X237HG	1020.00	30C46X236HG	1020.00	46	1"	3/4"	2300	230	10.1
NEW 30C50X237HG	1030.00	30C50X236HG	1030.00	50	1"	3/4"	2100	200	10.3
NEW 30C55X237HG	1030.00	30C55X236HG	1030.00	55	1"	3/4"	1750	200	10.4
NEW 30C60X237HG	1030.00	30C60X236HG	1030.00	60	1"	3/4"	1750	180	10.6

Note: additional charges apply to non-standard pumps

Group 3 Pump Seal Kits

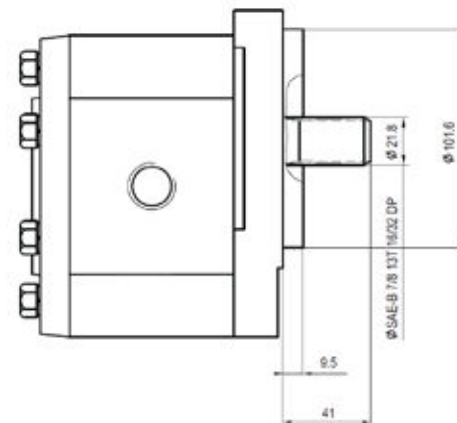
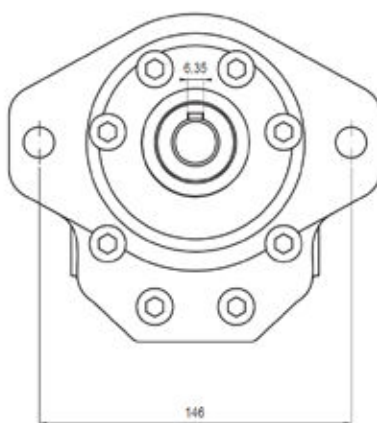
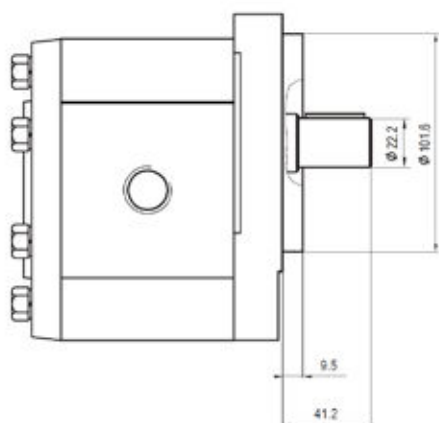
Part #	List Price \$	Description
NEW GR305-SK	90.00	Seal kit
NEW GR305-SKH	100.00	Seal kit - for H series
NEW GR305-SS	20.00	Shaft seal only
NEW GR305-SSH	30.00	Shaft seal only - for H series
NEW GR305-SSHV	60.00	Shaft seal (viton) only - for H series



237HG



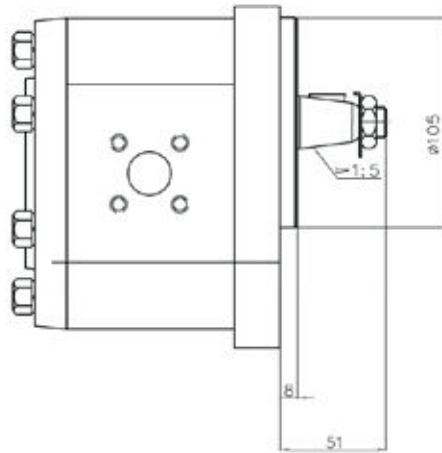
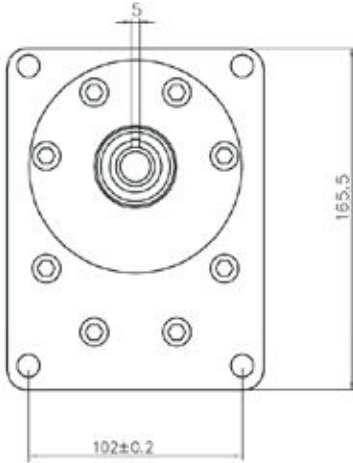
236HG



Group 3 Pump (German Standard) 4-bolt Mount, 1:5 Tapered Shaft

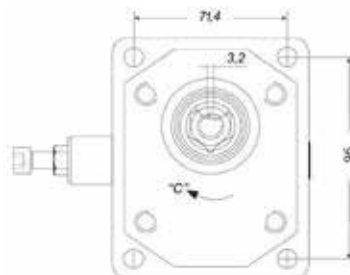
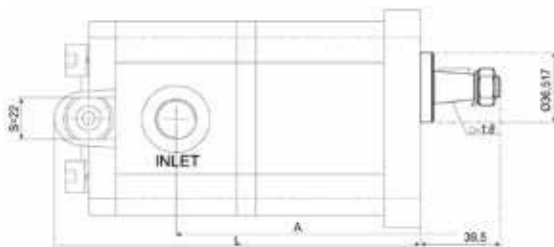
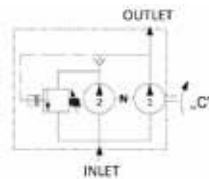
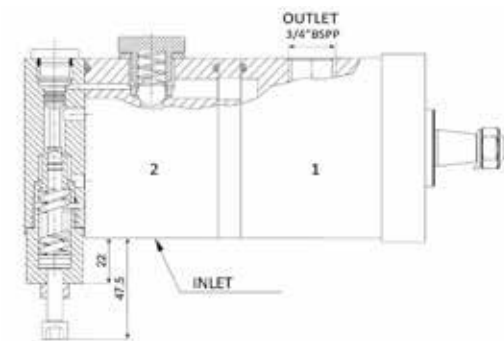
	Part #	List Price \$	CC	Ports (Flanged)		Max Continuous Speed (RPM)	Max Continuous Pressure (Bar)	Weight (Kg)
				Suction	Pressure			
NEW	30A25X337H	1050.00	25	G206	G206	3000	250	9.4
NEW	30A32X337H	1050.00	32	G207	G207	3000	250	10
NEW	30A36X337H	1060.00	36	G207	G207	2800	250	10.3
NEW	30A42X337H	1060.00	42	G207	G207	2500	230	10.5
NEW	30A46X337H	1060.00	46	G207	G207	2300	230	10.8
NEW	30A50X337H	1070.00	50	G207	G207	2100	200	11

Note: additional charges apply to non-standard pumps



Caproni Log Splitter Pumps

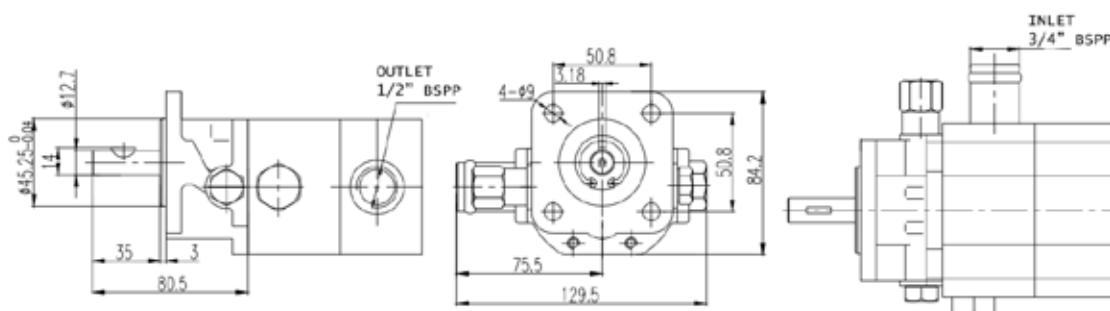
	Part #	List Price \$	CC		Max Cont. Pressure (bar)		Max Continuous Speed (RPM)	Dimension (mm)		Ports (BSPP)	
			1	2	1	2		L	A	Inlet	Outlet
NEW	22C4.5/11X956GHL	1730.00	4.5	11	250	50	3500	165.54	105	3/4"	3/4"
NEW	22C8.2/14X956GHL	1730.00	8.2	14	250	50	3500	175.79	113.1	3/4"	3/4"
NEW	22C10/19X956GHL	1730.00	10	19	250	50	3500	186.91	120.2	1"	3/4"
NEW	22C15/25X956GHL	1730.00	15	25	250	50	2500	204.8	133.1	1"	3/4"



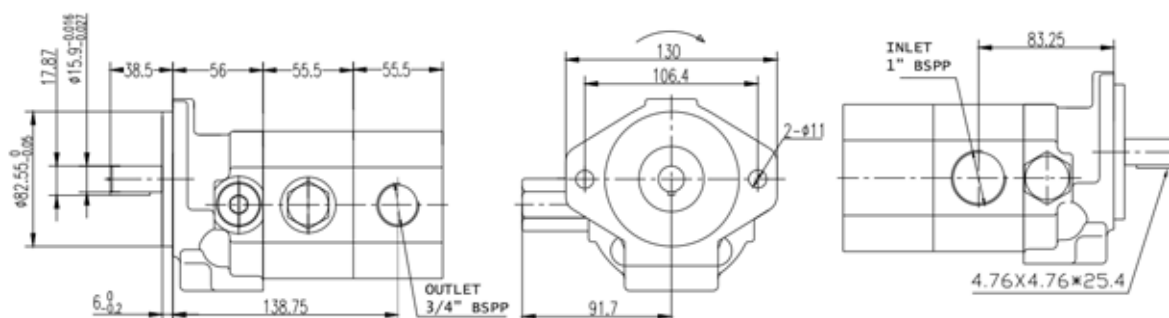
Log Splitter Pumps

Part #	List Price \$	CC Hi-Flow	CC Lo-Flow	Unload Pressure Range	Maximum Pressure	Inlet Port	Outlet Port
CBT8.8/2.1-L08-C	699.00	8.8	2.1	30-60 bar	200 bar	3/4" BSPP	1/2" BSPP
CBT8.8/3.0-L08-C	699.00	8.8	3.0	30-60 bar	200 bar	3/4" BSPP	1/2" BSPP
CBT13.0/2.1-L08-C	742.00	13.0	2.1	30-60 bar	200 bar	3/4" BSPP	1/2" BSPP
CBT13.0/3.0-L08-C	742.00	13.0	3.0	30-60 bar	200 bar	3/4" BSPP	1/2" BSPP
CBT13.0/4.2-L08-C	742.00	13.0	4.2	30-60 bar	200 bar	3/4" BSPP	1/2" BSPP
CBT15.2/7.6-L03-C	816.00	15.2	7.6	30-60 bar	200 bar	1" BSPP	3/4" BSPP
CBT22.9/7.6-L03-C	860.00	22.9	7.6	30-60 bar	200 bar	1" BSPP	3/4" BSPP

CBT8/13



CBT15/22



ORDER CODES FOR CAPRONI MULTIPLE PUMPS

No. of elements in sequence of pump group			Rotation	Pump 1 CC	Pump 1 Design Code	Pump 2 CC	Pump 2 Design Code	Pump 3 CC	Pump 3 Design Code
3	2	1	C	20	X198HG /	6.3	X226G /	1.25	X142G

PUMP GROUP CODES

1	Group 1
2	Group 2
3	Group 3

ROTATION

C	Clockwise
A	Anti-Clockwise

Repeat this section for each element.

Example: 332 represents Group 3/Group 3/Group 2 pumps

DISPLACEMENT

Group 1			Group 2			Group 3		
Code	Displacement	List Price \$	Code	Displacement	List Price \$	Code	Displacement	List Price \$
1	1.0cc	470.00	4.5	4.5cc	600.00	20	20.0cc	1040.00
1.25	1.25cc	470.00	6.3	6.3cc	600.00	25	25.0cc	1040.00
1.6	1.6cc	470.00	8.2	8.2cc	600.00	32	32.0cc	1040.00
2	2cc	470.00	11	11.0cc	600.00	36	36.0cc	1050.00
2.5	2.5cc	480.00	14	14.0cc	610.00	42	42.0cc	1050.00
3.15	3.15cc	480.00	16	16.0cc	610.00	46	46.0cc	1050.00
3.65	3.65cc	480.00	19	19.0cc	610.00	50	50.0cc	1060.00
4.2	4.2cc	480.00	22	22.0cc	610.00	55	55.0cc	1060.00
5	5.0cc	480.00	25	25.0cc	620.00	60	60.0cc	1060.00
5.7	5.7cc	490.00						
6.1	6.1cc	490.00						

Each displacement MUST be configured with a design code. This MUST be repeated for each element.

Example: 4.5156G/5142G



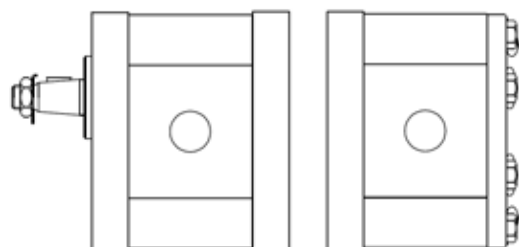
MADE IN EUROPE

DOUBLE PUMP CONNECTOR KITS

Part #	Connection	List Price \$
G3-COUPLING	Group 3 + Group 3	60.00
G2-COUPLING	Group 3 + Group 2	60.00
G2-1 COUPLING	Group 2 + Group 2	60.00
G2-1 COUPLING	Group 2 + Group 1	40.00
G1-COUPLING	Group 1 + Group 1	40.00

DESIGN CODES FOR: GROUP 3 + GROUP 3

PUMPS			FRONT	REAR
Shafts	Mounting	Ports	Code	Code
1:8 tapered	4-bolt Euro	BSPP threaded	X241HG	X242HG
7/8" 13T splined	2-bolt SAE-B	BSPP threaded	X309HG	X242HG

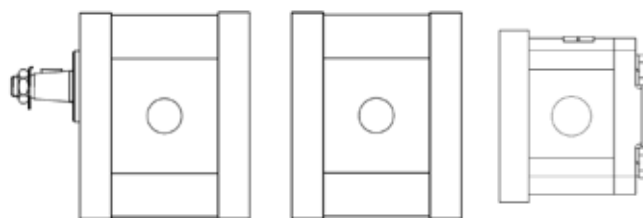


Group 3

Group 3

DESIGN CODES FOR: GROUP 3 + GROUP 3 + GROUP 2

PUMPS			FRONT	MIDDLE	REAR
Shafts	Mounting	Ports	Code	Code	Code
1:8 Tapered	4-bolt Euro	BSPP threaded	X241HG	X325HG	X201G
7/8" 13T Splined	2-bolt SAE-B	BSPP threaded	X309HG	X325HG	X201G



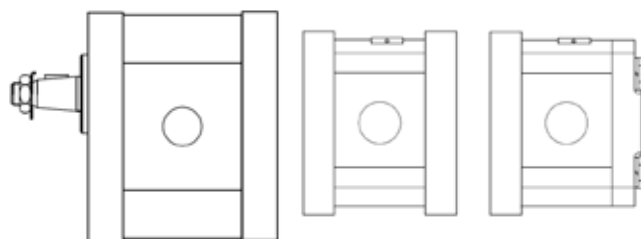
Group 3

Group 3

Group 2

DESIGN CODES FOR: GROUP 3 + GROUP 2 + GROUP 2

PUMPS			FRONT	MIDDLE	REAR
Shafts	Mounting	Ports	Code	Code	Code
1:8 Tapered	4-bolt Euro	BSPP threaded	X198HG	X327G	X201G
7/8" 13T Splined	2-bolt SAE-B	BSPP threaded	X245HG	X327G	X201G



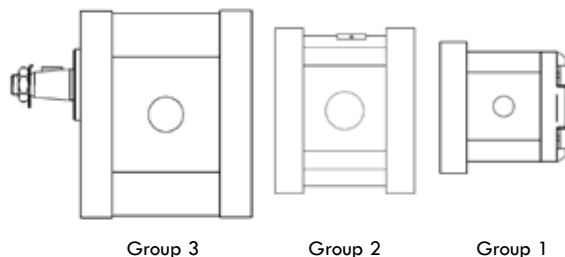
Group 3

Group 2

Group 2

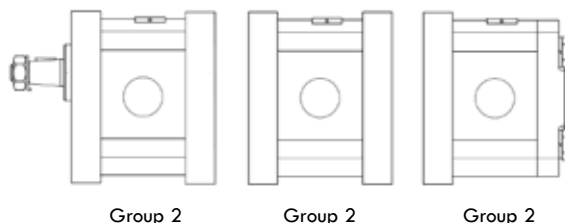
DESIGN CODES FOR: GROUP 3 + GROUP 2 + GROUP 1

PUMPS			FRONT	MIDDLE	REAR
Shafts	Mounting	Ports	Code	Code	Code
1:8 Tapered	4-bolt Euro	BSPP threaded	X198HG	X226G	X142G
7/8" 13T Splined	2-bolt SAE-B	BSPP threaded	X245HG	X226G	X142G



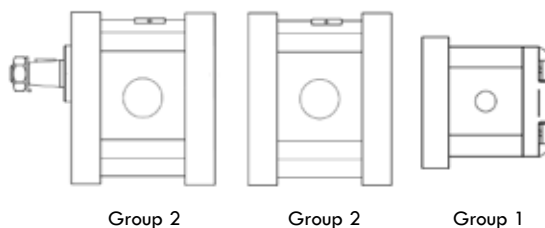
DESIGN CODES FOR: GROUP 2 + GROUP 2 + GROUP 2

PUMPS			FRONT	MIDDLE	REAR
Shafts	Mounting	Ports	Code	Code	Code
1:8 tapered	4-bolt Euro	BSPP threaded	X111G	X156G	X110G
1:8 tapered	4-bolt Euro	Flanged - diamond	X067	X156	X066
1:5 tapered	4-bolt German	Flanged German - square	X158	X156B	X161
1:5 tapered	2-bolt German KHD	Flanged German - square	X095	X156B	X097
16.5mm 9T splined	4-bolt German	Flanged German - square	X124	X156B	X077
16.5mm 9T splined	2-bolt German KHD	Flanged German - square	X096	X156B	X097
5/8" keyed	2-bolt SAE-A	BSPP threaded	X457G	X156G	X110G
5/8" 9T splined	2-bolt SAE-A	BSPP threaded	X167G	X156G	X110G
5/8" 9T splined	2-bolt SAE-A	Flanged German - square	X468	X156B	X077
17.4mm 10T splined	2-bolt SAE-A	BSPP threaded	X574G	X156G	X110G
16.8mm 15T splined	4-bolt German	Flanged German - square	X259	X156B	X097
3/4" 11T splined	2-bolt SAE-A	BSPP threaded	656HG	-	X110G



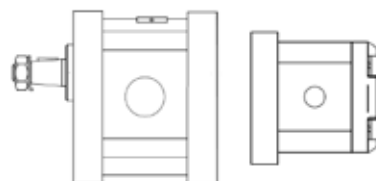
DESIGN CODES FOR: GROUP 2 + GROUP 2 + GROUP 1

PUMPS			FRONT	MIDDLE	REAR
Shafts	Mounting	Ports	Code	Code	Code
1:8 Tapered	4-bolt Euro	BSPP threaded	X111G	X178G	X142G
1:8 Tapered	4-bolt Euro	Flanged - diamond	X067	X178	X179



DESIGN CODES FOR: GROUP 2 + GROUP 1

PUMPS			FRONT	REAR
Shafts	Mounting	Ports	Code	Code
1:8 Tapered	4-bolt Euro	BSPP threaded	X141G	X142G
1:8 Tapered	4-bolt Euro	Flanged - diamond	X168	X179

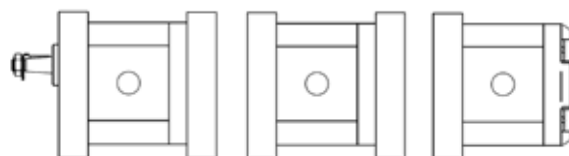


Group 2

Group 1

DESIGN CODES FOR: GROUP 1 + GROUP 1 + GROUP 1

PUMPS			FRONT	MIDDLE	REAR
Shafts	Mounting	Ports	Code	Code	Code
1:8 Tapered	4-bolt Euro	BSPP threaded	X181G	X303G	X182G
1:8 Tapered	4-bolt Euro	Flanged - square	X174	X303	X175



Group 1

Group 1

Group 1

Group 1 Pump Seal Kits

Part #	List Price \$	Description
GR105-SK	40.00	Seal kit - includes all seals for a single Group 1 section of a multiple pump (use one kit per section)

Group 2 Pump Seal Kits

Part #	List Price \$	Description
GR205-SK	70.00	Seal kit - includes all seals for a Group 2 front pump
GR205M-SK	60.00	Seal kit - includes all seals for a Group 2 middle pump used in a Group 2+2+2 arrangement
GR205R-SK	60.00	Seal kit - includes all seals for a Group 2 rear pump used in a Group 2+2 or 2+2+2 arrangement
GR205FHU-SK	60.00	Seal kit - series 656DU only. Includes all seals for front pump section. Rear pump requires GR205R-SK kit.
GR105-SK	40.00	Seal kit - includes all seals for a Group 1 rear section used in a Group 2+1 arrangement



Group 3 Pump Seal Kits

Part #	List Price \$	Description
GR305F-SKH	120.00	Seal kit - includes all seals for a Group 3 front pump
GR305MR-SKH	160.00	Seal kit - includes all seals for a Group 3 middle or rear pump
GR205R-SK	60.00	Seal kit - includes all seals for a Group 2 rear pump used in a Group 3+2 arrangement

ORDER CODES FOR VVOIL GROUP 1 MOTORS

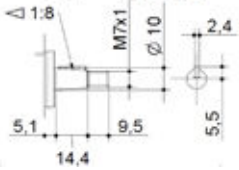
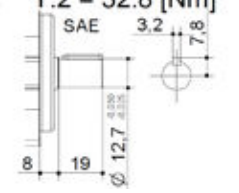
Series	Group	Motor	Displacement	Flange	Shaft	Inlet Port	Outlet Port	Rear Cover
X	1	M	27	01	F	B	B	E

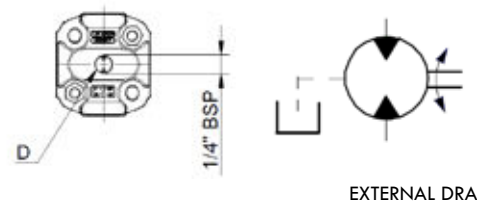
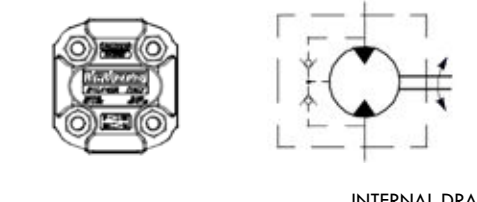
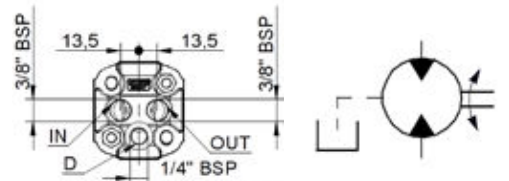
DISPLACEMENT	
0.91cc	16
1.17cc	17
1.56cc	18
2.08cc	20
2.60cc	21
3.12cc	23
3.64cc	25
4.16cc	27
4.94cc	29
5.85cc	31
6.50cc	32
7.54cc	34
9.88cc	36

FLANGE	
 <p>DIN Group 1</p>	01
 <p>SAE-AA</p>	

PORTS	INLET	OUTLET
0.9cc	B	B
1.2cc	B	B
1.7cc	B	B
2.2cc	B	B
2.6cc	B	B
3.2cc	B	B
3.6cc	B	B
4.3cc	B	B
4.9cc	B	B
5.9cc	B	B
6.5cc	B	B
7.8cc	B	B
9.8cc	B	B

B = 3/8" BSPP

SHAFT	
<p>CO001 - Tapered</p> <p>T.2 = 43 [Nm]</p>  <p>Tapered 1:8 \varnothing 10mm - M7x1 Key 2.4mm</p>	F
<p>CI002 - Parallel</p> <p>T.2 = 32.8 [Nm]</p>  <p>Parallel \varnothing 1/2" - Key 3.2mm</p>	

REAR COVER	
 <p>EXTERNAL DRAIN</p>	E
 <p>INTERNAL DRAIN</p>	
 <p>REAR PORTED EXTERNAL DRAIN</p>	K

Please note:
Additional costs apply for non-standard options

Group 1 Motor DIN Mount, 1:8 Tapered Shaft

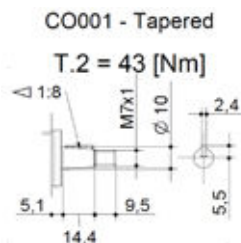
Part #	List Price \$	CC	Max Pressure (bar)		Min Start Pressure (bar)	Max/Min Speed (RPM)	Port S	Port P	Dimension (mm)		
			Inlet	Drain					A	B	C
X1M1601FBBE	708.00	0.91	240	6	30	6000/700	3/8" BSPP	3/8" BSPP	78.1	37.3	66.1
X1M1701FBBE	708.00	1.17	250	6	30	6000/700	3/8" BSPP	3/8" BSPP	79.0	37.8	67.0
X1M1801FBBE	708.00	1.56	250	6	30	6000/700	3/8" BSPP	3/8" BSPP	80.5	38.5	68.5
X1M2001FBBE	708.00	2.08	250	6	25	6000/700	3/8" BSPP	3/8" BSPP	82.5	39.5	70.5
X1M2101FBBE	708.00	2.60	250	6	20	6000/700	3/8" BSPP	3/8" BSPP	84.5	40.5	72.5
X1M2301FBBE	598.00	3.12	250	6	15	6000/700	3/8" BSPP	3/8" BSPP	86.5	41.5	74.5
X1M2501FBBE	598.00	3.64	250	6	15	6000/700	3/8" BSPP	3/8" BSPP	88.5	42.5	76.5
X1M2701FBBE	598.00	4.16	250	6	15	6000/700	3/8" BSPP	3/8" BSPP	90.5	43.5	78.5
X1M2901FBBE	625.00	4.94	250	6	15	6000/700	3/8" BSPP	3/8" BSPP	93.5	45.0	81.5
X1M3101FBBE	625.00	5.85	250	6	15	5000/700	3/8" BSPP	3/8" BSPP	97.0	46.8	85.0
X1M3201FBBE	625.00	6.50	250	6	10	5000/700	3/8" BSPP	3/8" BSPP	98.5	48.0	86.5
X1M3401FBBE	625.00	7.54	220	6	10	5000/700	3/8" BSPP	3/8" BSPP	103.5	50.0	91.5
X1M3601FBBE	625.00	9.88	190	6	10	4000/700	3/8" BSPP	3/8" BSPP	112.5	54.5	100.5

Group 1 Motor Seal Kit

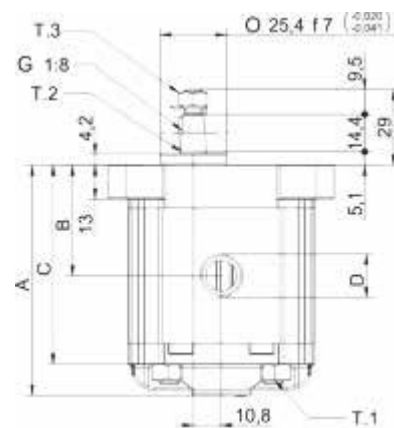
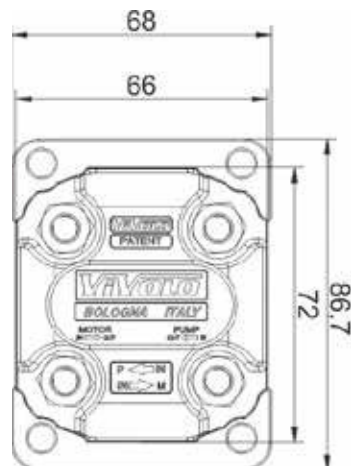
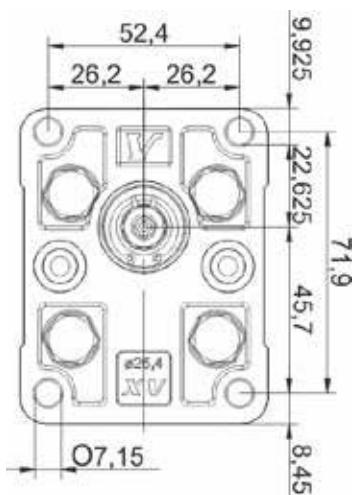
Part #	List Price \$	Material
8KGX1M1.A	52.00	NBR
8KGX1M1.V	150.00	Viton



MADE IN EUROPE



Rear port with drain available



Group 1 Motor SAE AA Mount, 1/2" Keyed Shaft

Part #	List Price \$	CC	Max Pressure (bar)		Min Start Pressure (bar)	Max/Min Speed (RPM)	Port S	Port P	Dimension (mm)		
			Inlet	Drain					A	B	C
X1M1661BBBE	708.00	0.91	240	6	30	6000/700	3/8" BSPP	3/8" BSPP	82.6	41.8	70.6
X1M1761BBBE	708.00	1.17	250	6	30	6000/700	3/8" BSPP	3/8" BSPP	83.5	42.3	71.5
X1M1861BBBE	708.00	1.56	250	6	30	6000/700	3/8" BSPP	3/8" BSPP	85.0	43.0	73.0
X1M2061BBBE	708.00	2.08	250	6	25	6000/700	3/8" BSPP	3/8" BSPP	87.0	44.0	75.0
X1M2161BBBE	708.00	2.60	250	6	20	6000/700	3/8" BSPP	3/8" BSPP	89.0	45.0	77.0
X1M2361BBBE	598.00	3.12	250	6	15	6000/700	3/8" BSPP	3/8" BSPP	91.0	46.5	79.0
X1M2561BBBE	598.00	3.64	250	6	15	6000/700	3/8" BSPP	3/8" BSPP	93.0	47.0	81.0
X1M2761BBBE	598.00	4.16	250	6	15	6000/700	3/8" BSPP	3/8" BSPP	95.0	48.0	83.0
X1M2961BBBE	625.00	4.94	250	6	15	6000/700	3/8" BSPP	3/8" BSPP	98.0	49.5	86.0
X1M3161BBBE	625.00	5.85	250	6	15	5000/700	3/8" BSPP	3/8" BSPP	101.5	51.3	89.5
X1M3261BBBE	625.00	6.50	250	6	10	5000/700	3/8" BSPP	3/8" BSPP	105.0	52.5	93.0
X1M3461BBBE	625.00	7.54	220	6	10	5000/700	3/8" BSPP	3/8" BSPP	108.0	54.5	96.0
X1M3661BBBE	625.00	9.88	177	6	10	4000/700	3/8" BSPP	3/8" BSPP	117.0	59.0	105.0

Group 1 Motor Seal Kit

Part #	List Price \$	Material
8KGX1M1.A	52.00	NBR
8KGX1M1.V	150.00	Viton

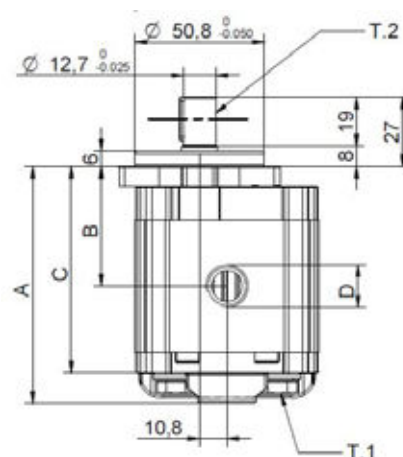
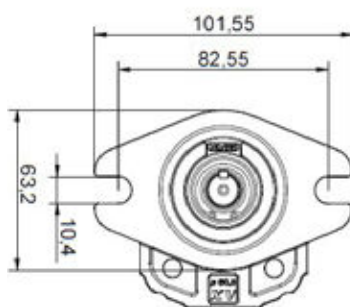
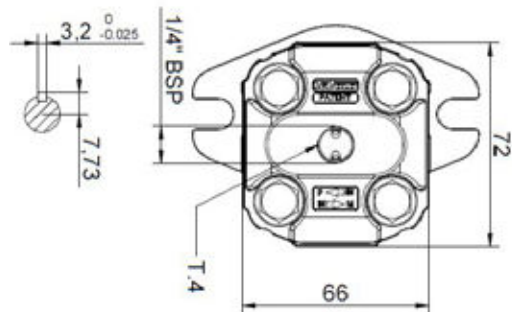
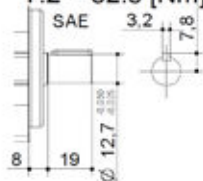


MADE IN EUROPE



CI002 - Parallel

T.2 = 32.8 [Nm]



ORDER CODES FOR VIVOIL GROUP 2 MOTORS

Series	Group	Motor	Displacement	Flange	Shaft	Inlet Port	Outlet Port	Rear Cover
X	2	M	51	31	A	C	C	F

Note: For uni-direction motors replace the M with a U (e.g. X2U) & select pump flange code from pump group on page 127

DISPLACEMENT	
4.2cc	41
6.0cc	43
8.4cc	45
10.8cc	47
14.4cc	49
16.8cc	51
19.2cc	53
22.8cc	55
26.2cc	57
30.0cc	59
34.2cc	61
39.6cc	63

PORTS	INLET	OUTLET
4.2cc	B	B
6.0cc	B	B
8.4cc	B	B
10.8cc	B	B
14.4cc	C	C
16.8cc	C	C
19.2cc	C	C
22.8cc	C	C
26.2cc	D	D
30.0cc	D	D
34.2cc	D	D
39.6cc	D	D
B = 1/2" BSPP		
C = 3/4" BSPP		
D = 1" BSPP		

Please note:
Additional costs apply for non-standard options

FLANGE		
DIN Group 2	01	25
SAE-A	31	13
DIN Group 2 Bearing Carrier 1:8 Taper shaft	1RE	07

REAR COVER		
	E	
	F	
	K	
	001	

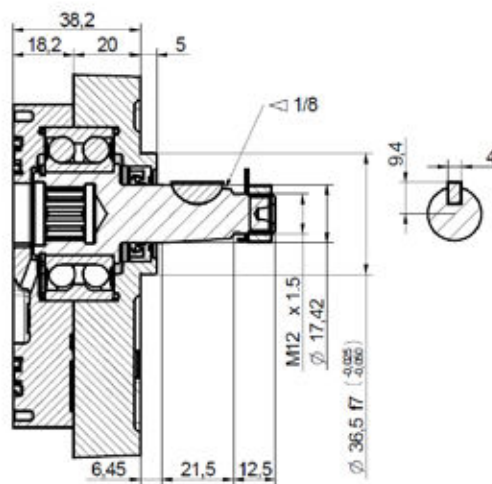
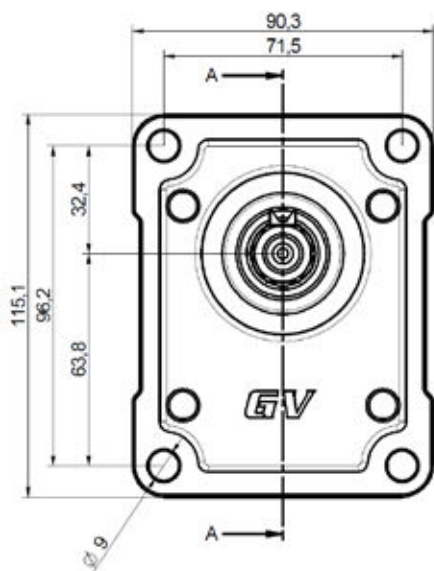
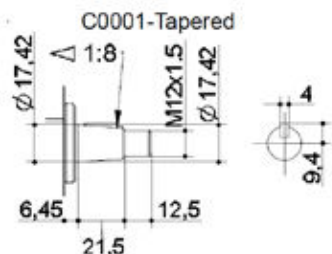
SHAFT	
<p>C0002-Tapered T.2 = 233,2 Nm</p> <p>Tapered 1:5 Ø 17.4mm M12x1.5, Key 3mm GERMAN MOUNT ONLY</p>	F
<p>C0001-Tapered T.2 = 233,2 Nm</p> <p>Tapered 1:8 Ø 17.2mm M12x1.5, Key 4mm</p>	E
<p>C1001-Parallel T.2 = 44,1 Nm</p> <p>Parallel Ø 15mm - Key 4mm</p>	A
<p>C1002-Parallel T.2 = 67,5 Nm</p> <p>Parallel Ø 5/8" - Key 4mm</p>	B
<p>SCF04-Splined T.2 = 104,6 Nm</p> <p>Splined 9T 16/32 DP</p>	I

Group 2 Motor DIN Mount With Bearing Carrier, 1:8 Tapered Shaft

Part #	List Price \$	CC	Max Pressure (bar)		Min Start Pressure (bar)	Max/Min Speed (RPM)	Port S	Port P	Dimension (mm)		
			Inlet	Drain					A	B	C
X2M411REBBE	1468.00	4.2	300	6	30	3500/700	1/2" BSPP	1/2" BSPP	107.2	41.7	77.2
X2M431REBBE	1468.00	6.0	300	6	25	3500/700	1/2" BSPP	1/2" BSPP	110.2	43.2	80.2
X2M451REBBE	1468.00	8.4	300	6	20	3500/700	1/2" BSPP	1/2" BSPP	104.2	45.2	84.2
X2M471REBBE	1468.00	10.8	300	6	20	3500/700	1/2" BSPP	1/2" BSPP	118.2	47.2	88.2
X2M491RECCE	1480.00	14.4	290	6	15	3500/700	3/4" BSPP	3/4" BSPP	124.2	50.2	94.2
X2M511RECCE	1480.00	16.8	270	6	15	3500/700	3/4" BSPP	3/4" BSPP	128.2	52.2	98.2
X2M531RECCE	1517.00	19.2	250	6	15	3000/700	3/4" BSPP	3/4" BSPP	132.2	54.2	102.2
X2M551RECCE	1517.00	22.8	240	6	15	3000/700	3/4" BSPP	3/4" BSPP	138.2	57.2	108.2
X2M571REDDE	1517.00	26.2	210	6	15	3000/700	1" BSPP	1" BSPP	142.2	59.2	112.2
X2M591REDDE	1589.00	30.0	200	6	15	2500/700	1" BSPP	1" BSPP	150.2	63.2	120.2
X2M611REDDE	1589.00	34.2	190	6	15	2500/700	1" BSPP	1" BSPP	157.2	66.7	127.2
X2M631REDDE	1589.00	39.6	180	6	15	2000/700	1" BSPP	1" BSPP	166.2	71.2	136.2



MADE IN EUROPE



Group 2 Motor DIN Mount, 1:8 Tapered Shaft

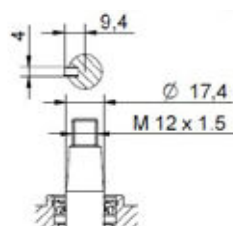
Part #	List Price \$	CC	Max Pressure (bar)		Min Start Pressure (bar)	Max/Min Speed (RPM)	Port S	Port P	Dimension (mm)		
			Inlet	Drain					A	B	C
X2M4101EBBE	761.00	4.2	300	6	30	3500/700	1/2" BSPP	1/2" BSPP	87.2	41.7	77.2
X2M4301EBBE	761.00	6.0	300	6	25	3500/700	1/2" BSPP	1/2" BSPP	90.2	43.2	80.2
X2M4501EBBE	761.00	8.4	300	6	20	3500/700	1/2" BSPP	1/2" BSPP	94.2	45.2	84.2
X2M4701EBBE	761.00	10.8	300	6	20	3500/700	1/2" BSPP	1/2" BSPP	98.2	47.2	88.2
X2M4901ECCE	775.00	14.4	290	6	15	3500/700	3/4" BSPP	3/4" BSPP	104.2	50.2	94.2
X2M5101ECCE	775.00	16.8	270	6	15	3500/700	3/4" BSPP	3/4" BSPP	108.2	52.2	98.2
X2M5301ECCE	816.00	19.2	250	6	15	3000/700	3/4" BSPP	3/4" BSPP	112.2	54.2	102.2
X2M5501ECCE	816.00	22.8	240	6	15	3000/700	3/4" BSPP	3/4" BSPP	118.2	57.2	108.2
X2M5701EDDE	816.00	26.2	210	6	15	3000/700	1" BSPP	1" BSPP	122.2	59.2	112.2
X2M5901EDDE	897.00	30.0	200	6	15	2500/700	1" BSPP	1" BSPP	130.2	63.2	120.2
X2M6101EDDE	897.00	34.2	190	6	15	2500/700	1" BSPP	1" BSPP	137.2	66.7	127.2
X2M6301EDDE	897.00	39.6	180	6	15	2000/700	1" BSPP	1" BSPP	146.2	71.2	136.2

Group 2 Motor Seal Kit

Part #	List Price \$	Material
8KGX2M1.A	98.00	NBR
8KGX2M1.V	180.00	Viton

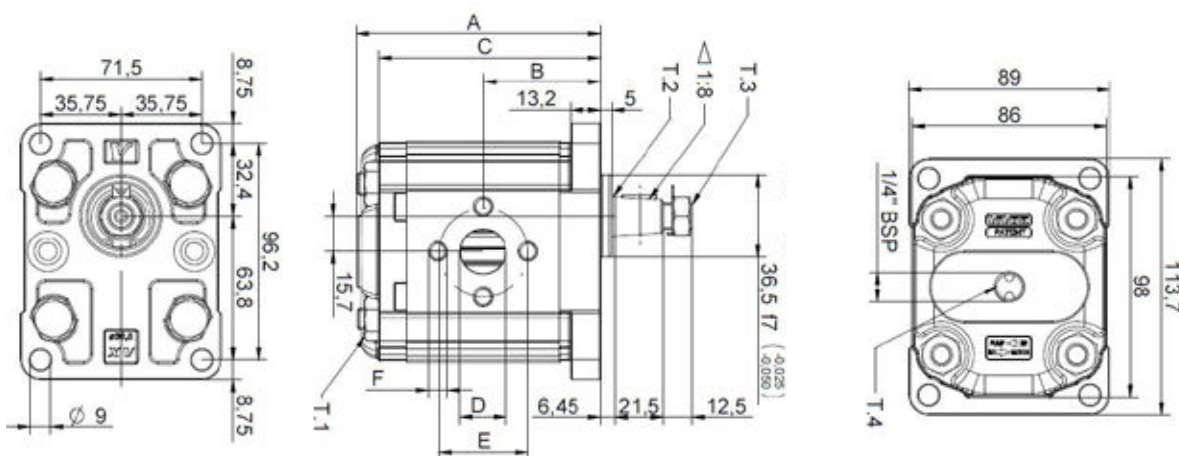


MADE IN EUROPE



Rear port with drain available

Anti-cavitation check valve available

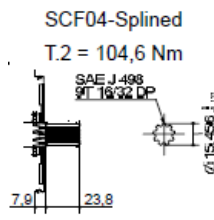
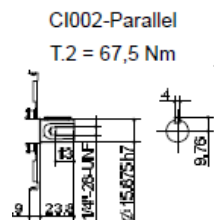
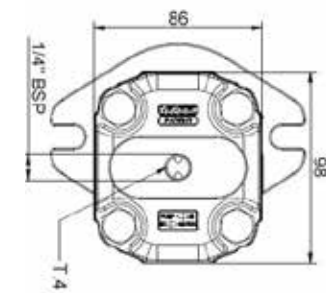


Group 2 Motor SAE A Mount, 5/8" Keyed Shaft

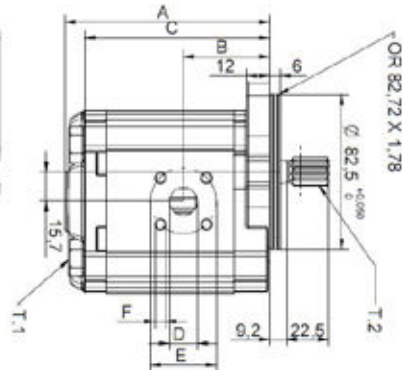
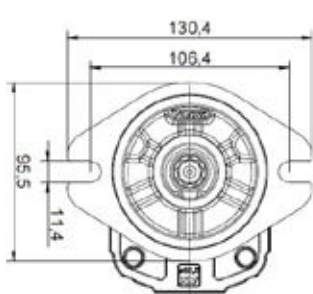
Part #	List Price \$	CC	Max Pressure (bar)		Min Start Pressure (bar)	Max/Min Speed (RPM)	Port S	Port P	Dimension (mm)		
			Inlet	Drain					A	B	C
X2M4131BBBE	761.00	4.2	300	6	30	3500/700	1/2" BSPP	1/2" BSPP	88.0	39.4	78.0
X2M4331BBBE	761.00	6.0	300	6	25	3500/700	1/2" BSPP	1/2" BSPP	91.0	39.4	81.0
X2M4531BBBE	761.00	8.4	300	6	20	3500/700	1/2" BSPP	1/2" BSPP	95.0	41.4	85.0
X2M4731BBBE	761.00	10.8	300	6	20	3500/700	1/2" BSPP	1/2" BSPP	99.0	45.8	89.0
X2M4931BCCE	775.00	14.4	250	6	15	3500/700	3/4" BSPP	3/4" BSPP	105.0	45.8	95.0
X2M5131BCCE	775.00	16.8	214	6	15	3500/700	3/4" BSPP	3/4" BSPP	109.0	45.8	99.0
X2M5331BCCE	816.00	19.2	188	6	15	3000/700	3/4" BSPP	3/4" BSPP	113.0	45.8	103.0
X2M5531BCCE	816.00	22.8	158	6	15	3000/700	3/4" BSPP	3/4" BSPP	119.0	53.3	109.0
X2M5731BDDE	816.00	26.2	138	6	15	3000/700	1" BSPP	1" BSPP	123.0	53.3	113.0
X2M5931BDDE	897.00	30.0	120	6	15	2500/700	1" BSPP	1" BSPP	131.0	61.5	121.0
X2M6131BDDE	897.00	34.2	105	6	15	2500/700	1" BSPP	1" BSPP	138.0	61.5	128.0
X2M6331BDDE	897.00	39.6	91	6	15	2000/700	1" BSPP	1" BSPP	147.0	61.5	137.0

Group 2 Motor SAE A Mount, 5/8" 9 Tooth Splined Shaft

Part #	List Price \$	CC	Max Pressure (bar)		Min Start Pressure (bar)	Max/Min Speed (RPM)	Port S	Port P	Dimension (mm)		
			Inlet	Drain					A	B	C
X2M4131IBBE	761.00	4.2	300	6	30	3500/700	1/2" BSPP	1/2" BSPP	88.0	39.4	78.0
X2M4331IBBE	761.00	6.0	300	6	25	3500/700	1/2" BSPP	1/2" BSPP	91.0	39.4	81.0
X2M4531IBBE	761.00	8.4	300	6	20	3500/700	1/2" BSPP	1/2" BSPP	95.0	41.4	85.0
X2M4731IBBE	761.00	10.8	300	6	20	3500/700	1/2" BSPP	1/2" BSPP	99.0	45.8	89.0
X2M4931ICCE	775.00	14.4	249	6	15	3500/700	3/4" BSPP	3/4" BSPP	105.0	45.8	95.0
X2M5131ICCE	775.00	16.8	213	6	15	3500/700	3/4" BSPP	3/4" BSPP	109.0	45.8	99.0
X2M5331ICCE	816.00	19.2	187	6	15	3000/700	3/4" BSPP	3/4" BSPP	113.0	45.8	103.0
X2M5531ICCE	816.00	22.8	157	6	15	3000/700	3/4" BSPP	3/4" BSPP	119.0	53.3	109.0
X2M5731IDDE	816.00	26.2	137	6	15	3000/700	1" BSPP	1" BSPP	123.0	53.3	113.0
X2M5931IDDE	897.00	30.0	119	6	15	2500/700	1" BSPP	1" BSPP	131.0	61.5	121.0
X2M6131IDDE	897.00	34.2	105	6	15	2500/700	1" BSPP	1" BSPP	138.0	61.5	128.0
X2M6331IDDE	897.00	39.6	90	6	15	2000/700	1" BSPP	1" BSPP	147.0	61.5	137.0



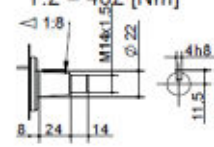
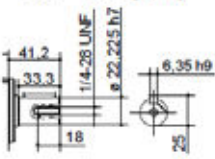
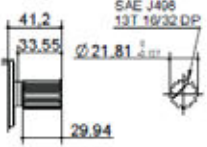
MADE IN EUROPE



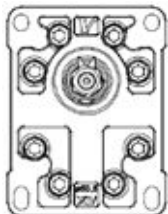

ORDER CODES FOR VIVOIL GROUP 3 MOTORS

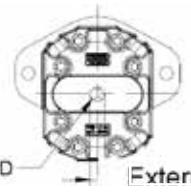
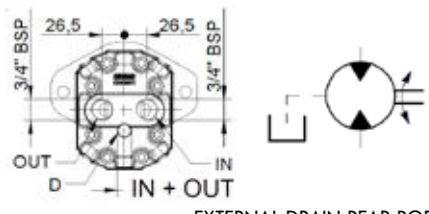
Series	Group	Motor	Displacement	Flange	Shaft	Inlet Port	Outlet Port	Rear Cover
X	3	M	66	31	I	D	D	E

DISPLACEMENT	
14.89cc	66
17.37cc	68
21.10cc	70
26.97cc	72
32.27cc	74
38.47cc	78
43.44cc	79
47.16cc	80
50.88cc	81
54.60cc	82
60.81cc	83
64.53cc	85
70.74cc	86
74.46cc	87
86.87cc	89

SHAFT	
<p>CO001 - Tapered</p> <p>T.2 = 482 [Nm]</p>  <p>Tapered 1.8 Ø 22mm M14x1.5 - Key 4mm</p>	A
<p>CI004 - Parallel</p> <p>T.2 = 180 [Nm]</p>  <p>Parallel Ø 7/8" - Key 6.35mm</p>	H
<p>SCF04 - Splined</p> <p>T.2 = 264 [Nm]</p>  <p>Splined 7/8" 13t</p>	I

PORTS	INLET	OUTLET
14.9cc	D	D
17.4cc	D	D
21.1cc	D	D
27.0cc	E	E
32.3cc	E	E
38.5cc	E	E
43.4cc	E	E
47.2cc	E	E
50.9cc	E	E
54.6cc	E	E
60.8cc	E	E
64.5cc	E	E
70.7cc	F	F
74.5cc	F	F
86.9cc	F	F
D = 3/4" BSPP		
E = 1" BSPP		
F = 1.1/4" BSPP		

FLANGE	
 <p>DIN Group 3</p>	01
 <p>SAE-B</p>	31

REAR COVER	
 <p>EXTERNAL DRAIN</p>	E
 <p>EXTERNAL DRAIN REAR PORTED</p>	K

Please note:
 Additional costs apply for non-standard options

Group 3 Motor DIN Mount, 1:8 Tapered Shaft

Part #	List Price \$	CC	Max Pressure (bar)		Min Start Pressure	Max/Min Speed (RPM)	Port S	Port P	Dimension (mm)	
			Inlet	Drain					A	B
X3M6601ADDE	1630.00	14.89	320	6	20	3000/700	3/4" BSPP	3/4" BSPP	124.0	61.0
X3M6801ADDE	1630.00	17.37	320	6	20	3000/700	3/4" BSPP	3/4" BSPP	126.0	62.0
X3M7001ADDE	1658.00	21.10	300	6	15	3000/700	3/4" BSPP	3/4" BSPP	129.0	63.5
X3M7201AEED	1658.00	26.97	270	6	10	3000/700	1" BSPP	1" BSPP	133.0	65.5
X3M7401AEED	1738.00	32.27	270	6	10	3000/700	1" BSPP	1" BSPP	138.0	68.0
X3M7801AEED	1738.00	38.47	270	6	10	2800/700	1" BSPP	1" BSPP	143.0	70.5
X3M7901AEED	1738.00	43.44	250	6	10	2800/700	1" BSPP	1" BSPP	147.0	72.5
X3M8001AEED	1794.00	47.16	250	6	10	2800/700	1" BSPP	1" BSPP	150.0	74.0
X3M8101AEED	1794.00	50.88	250	6	10	2800/700	1" BSPP	1" BSPP	153.0	75.5
X3M8201AEED	1794.00	54.60	250	6	10	2300/700	1" BSPP	1" BSPP	156.0	77.0
X3M8301AFFE	1762.00	60.81	220	6	10	2300/700	1.1/4" BSPP	1.1/4" BSPP	161.0	79.5
X3M8501AFFE	1794.00	64.53	220	6	10	2300/700	1.1/4" BSPP	1.1/4" BSPP	164.0	81.0
X3M8601AFFE	1874.00	70.74	210	6	10	2300/700	1.1/4" BSPP	1.1/4" BSPP	169.0	83.5
X3M8701AFFE	1874.00	74.46	190	6	10	2300/700	1.1/4" BSPP	1.1/4" BSPP	172.0	85.0
X3M8901AFFE	1874.00	86.87	160	6	10	2300/700	1.1/4" BSPP	1.1/4" BSPP	182.0	90.0

Group 3 Motor Seal Kit

Part #	List Price \$	Material
8KGX3M1.A	177.00	NBR
8KGX3M1.V	327.00	Viton



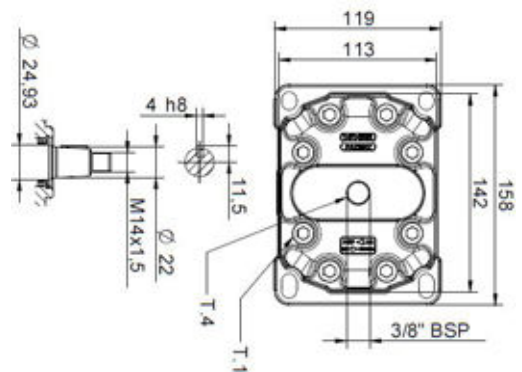
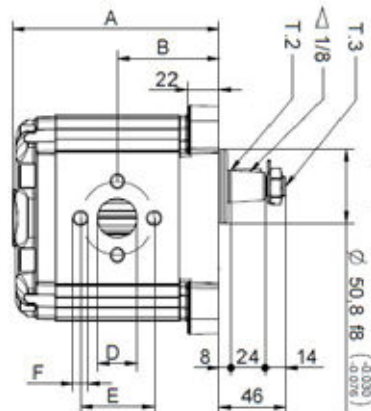
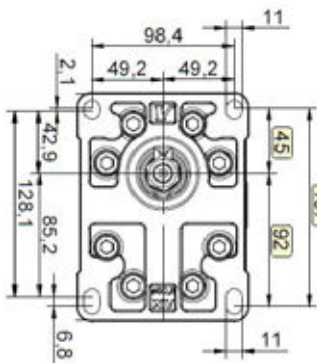
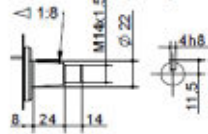
MADE IN EUROPE



Rear port with drain available

CO001 - Tapered

T.2 = 482 [Nm]

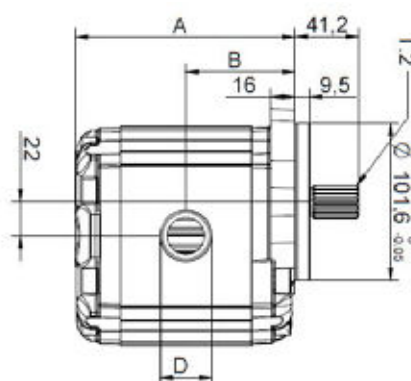
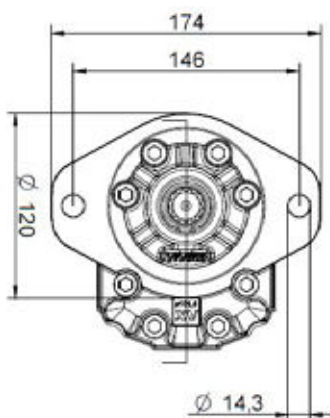
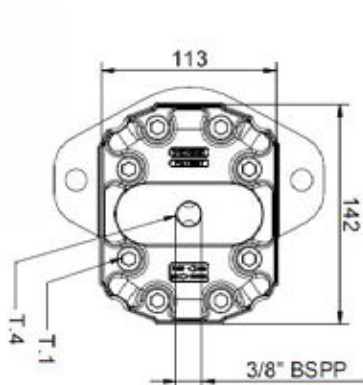
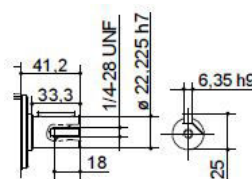


Group 3 Motor SAE B Mount, 7/8" Keyed Shaft

Part #	List Price \$	CC	Max Pressure (bar)		Min Start Pressure	Max/Min Speed (RPM)	Port S	Port P	Dimension (mm)	
			Inlet	Drain					A	B
X3M7031HDDE	1658.00	21.10	300	6	15	3000/700	3/4" BSPP	3/4" BSPP	129.0	63.5
X3M7231HEEE	1658.00	26.97	270	6	10	3000/700	1" BSPP	1" BSPP	133.0	65.5
X3M7431HEEE	1738.00	32.27	270	6	10	3000/700	1" BSPP	1" BSPP	138.0	68.0
X3M7831HEEE	1738.00	38.47	250	6	10	2800/700	1" BSPP	1" BSPP	143.0	70.5
X3M7931HEEE	1738.00	43.44	221	6	10	2800/700	1" BSPP	1" BSPP	147.0	72.5
X3M8031HEEE	1794.00	47.16	204	6	10	2800/700	1" BSPP	1" BSPP	150.0	74.0
X3M8131HEEE	1794.00	50.88	189	6	10	2800/700	1" BSPP	1" BSPP	153.0	75.5
X3M8231HEEE	1794.00	54.60	176	6	10	2300/700	1" BSPP	1" BSPP	156.0	77.0
X3M8331HFFE	1794.00	60.81	158	6	10	2300/700	1.1/4" BSPP	1.1/4" BSPP	161.0	79.5
X3M8631HFFE	1874.00	70.74	136	6	10	2300/700	1.1/4" BSPP	1.1/4" BSPP	169.0	83.5
X3M8731HFFE	1874.00	74.46	129	6	10	2300/700	1.1/4" BSPP	1.1/4" BSPP	172.0	85.0
X3M8931HFFE	1874.00	86.87	111	6	10	2300/700	1.1/4" BSPP	1.1/4" BSPP	182.0	90.0



MADE IN EUROPE

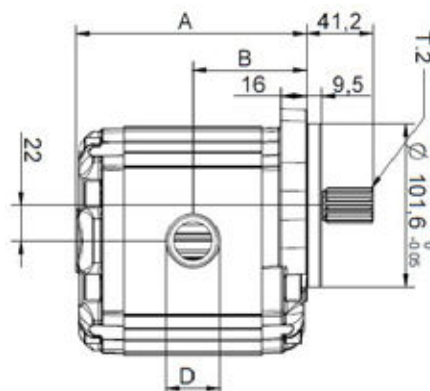
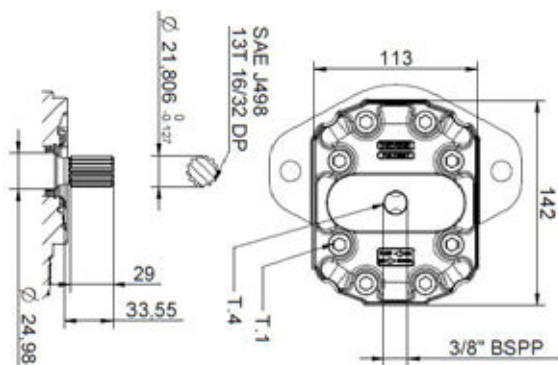
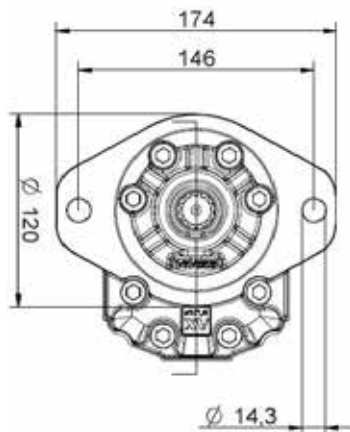


Group 3 Motor SAE B Mount, 7/8" 13 Tooth Splined Shaft

Part #	List Price \$	CC	Max Pressure (bar)		Min Start Pressure	Max/Min Speed (RPM)	Port S	Port P	Dimension (mm)	
			Inlet	Drain					A	B
X3M6631IDDE	1658.00	14.89	320	6	20	3000/700	3/4" BSPP	3/4" BSPP	124.0	61.0
X3M7031IDDE	1658.00	21.10	300	6	15	3000/700	3/4" BSPP	3/4" BSPP	129.0	63.5
X3M7231IEEE	1658.00	26.97	270	6	10	3000/700	1" BSPP	1" BSPP	133.0	65.5
X3M7431IEEE	1738.00	32.27	270	6	10	3000/700	1" BSPP	1" BSPP	138.0	68.0
X3M7831IEEE	1738.00	38.47	270	6	10	2800/700	1" BSPP	1" BSPP	143.0	70.5
X3M7931IEEE	1738.00	43.44	250	6	10	2800/700	1" BSPP	1" BSPP	147.0	72.5
X3M8031IEEE	1794.00	47.16	250	6	10	2800/700	1" BSPP	1" BSPP	150.0	74.0
X3M8131IEEE	1794.00	50.88	250	6	10	2800/700	1" BSPP	1" BSPP	153.0	75.5
X3M8231IEEE	1794.00	54.60	250	6	10	2300/700	1" BSPP	1" BSPP	156.0	77.0
X3M8331IFFE	1794.00	60.81	232	6	10	2300/700	1.1/4" BSPP	1.1/4" BSPP	161.0	79.5
X3M8531IFFE	1794.00	64.53	218	6	10	2300/700	1.1/4" BSPP	1.1/4" BSPP	164.0	81.0
X3M8631IFFE	1874.00	70.74	199	6	10	2300/700	1.1/4" BSPP	1.1/4" BSPP	169.0	83.5
X3M8731IFFE	1874.00	74.46	189	6	10	2300/700	1.1/4" BSPP	1.1/4" BSPP	172.0	85.0
X3M8931IFFE	1874.00	86.87	160	6	10	2300/700	1.1/4" BSPP	1.1/4" BSPP	182.0	90.0



MADE IN EUROPE



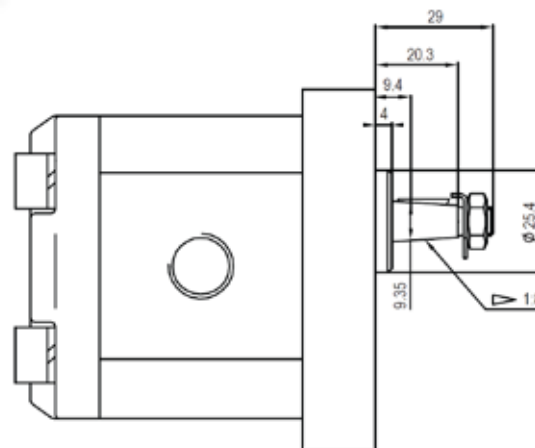
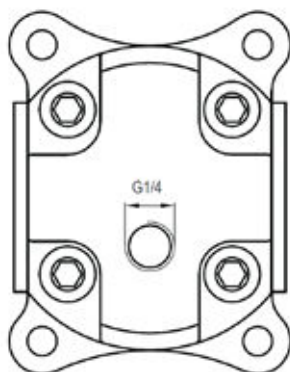
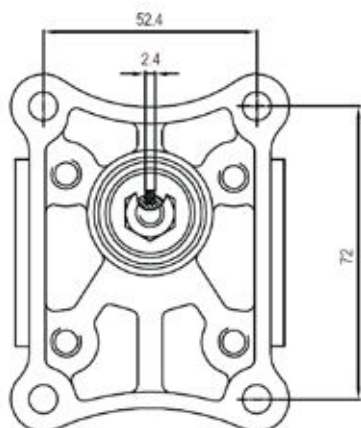
Group 1 Motor (European Standard) 4-Bolt Mount, 1:8 Tapered Shaft

	Part #	List Price \$	CC	Port (BSPP)			Max Continuous Speed (RPM)	Max Continuous Pressure (Bar)	Weight (Kg)
				Inlet	Outlet	Case			
NEW	10MR1.6X563G	460.00	1.6	3/8"	3/8"	1/4"	3500	210	1
NEW	10MR2X563G	460.00	2	3/8"	3/8"	1/4"	3500	210	1
NEW	10MR2.5X563G	470.00	2.5	3/8"	3/8"	1/4"	3500	210	1.1
NEW	10MR3.15X563G	470.00	3.15	1/2"	1/2"	1/4"	3500	210	1.1
NEW	10MR3.65X563G	470.00	3.65	1/2"	1/2"	1/4"	3500	210	1.2
NEW	10MR4.2X563G	470.00	4.2	1/2"	1/2"	1/4"	3500	210	1.2
NEW	10MR5X563G	470.00	5	1/2"	1/2"	1/4"	3500	210	1.2
NEW	10MR5.7X563G	480.00	5.7	1/2"	1/2"	1/4"	3000	200	1.3
NEW	10MR6.1X563G	480.00	6.1	1/2"	1/2"	1/4"	3000	200	1.3
NEW	10MR7.4X563G	480.00	7.4	1/2"	1/2"	1/4"	2500	180	1.4
NEW	10MR8.5X563G	480.00	8.5	1/2"	1/2"	1/4"	2500	150	1.5
NEW	10MR9.8X563G	480.00	9.8	1/2"	1/2"	1/4"	2000	120	1.5

Note: additional charges apply to non-standard motors

Group 1 Motor Seal Kits & Port Adaptors

	Part #	List Price \$	Description
NEW	GM1-SKV	50.00	Seal kit (includes viton shaft seal)
NEW	GM1-SKT	100.00	Seal kit (includes high pressure shaft seal, 30 bar)
NEW	GM1-SSV	20.00	Shaft seal only (viton)
NEW	GM1-SST	100.00	Shaft seal only (high pressure, 30 bar)



Group 2 Motor (European Standard) 4-Bolt Mount, 1:8 Tapered Shaft

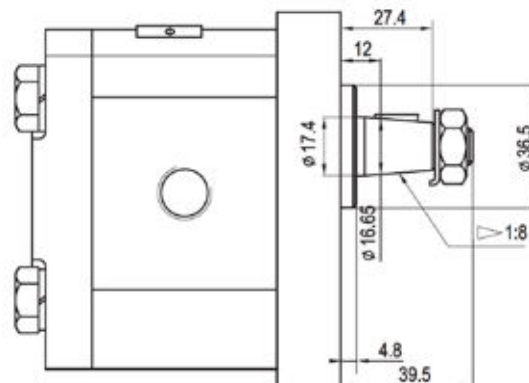
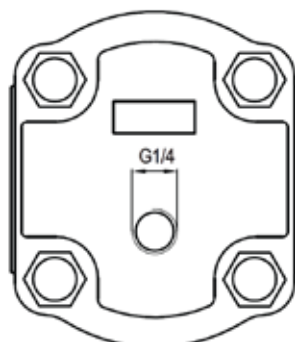
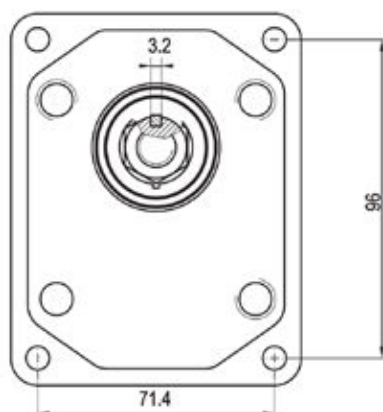
Part #	List Price \$	CC	Port (BSPP)			Max Continuous Speed (RPM)	Max Continuous Pressure (Bar)	Weight (Kg)
			Inlet	Outlet	Case			
NEW 20MR4.5X543GT	650.00	4.5	1/2"	1/2"	1/4"	3500	200	3.3
NEW 20MR6.3X543GT	650.00	6.3	1/2"	1/2"	1/4"	3500	200	3.4
NEW 20MR8.2X543GT	650.00	8.2	1/2"	1/2"	1/4"	3500	200	3.5
NEW 20MR11X543GT	650.00	11.3	3/4"	3/4"	1/4"	3500	200	3.6
NEW 20MR14X543GT	660.00	14	3/4"	3/4"	1/4"	3500	200	3.7
NEW 20MR16X543GT	660.00	16	3/4"	3/4"	1/4"	3500	200	3.8
NEW 20MR19X543GT	660.00	19	3/4"	3/4"	1/4"	2500	180	4
NEW 20MR22X543GT	660.00	22	3/4"	3/4"	1/4"	2500	180	4.1
NEW 20MR25X543GT	670.00	25	3/4"	3/4"	1/4"	2000	160	4.5
NEW 20MR28X543HGT	670.00	28	3/4"	3/4"	1/4"	2000	130	4.6

Group 2 Motor Seal Kits

Part #	List Price \$	Description
NEW GM2-SKV	70.00	Seal kit (includes viton shaft seal)
NEW GM2-SKT	100.00	Seal kit (includes high pressure shaft seal, 30 bar)
NEW GM2-SSV	30.00	Shaft seal only (viton)
NEW GM2-SST	40.00	Shaft seal only (high pressure, 30 bar)



MADE IN EUROPE



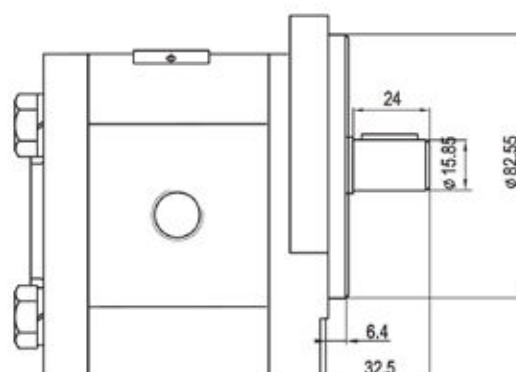
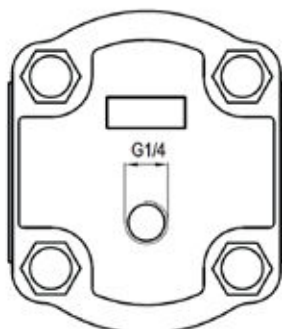
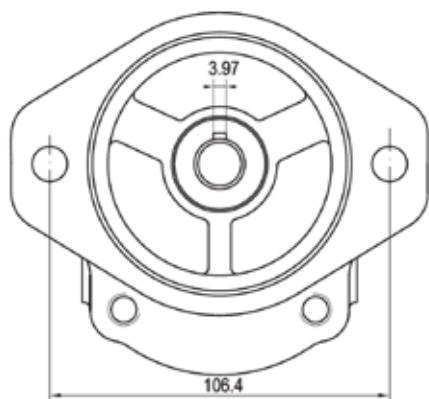
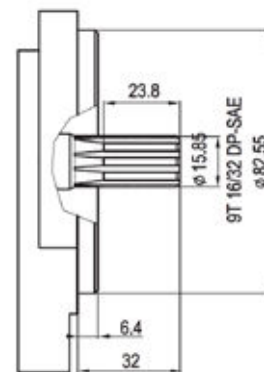
Group 2 Motor (American Standard) SAE-A 2-Bolt Mount, 5/8" Shaft (Keyed or 9T Splined)

Part #	List Price \$	Part #	List Price \$	CC	Port (BSPP)			Max Continuous Speed (RPM)	Max Continuous Pressure (Bar)	Weight (Kg)
					Inlet	Outlet	Case			
NEW 20MR4.5X553GT	650.00	20MR4.5X073GT	650.00	4.5	1/2"	1/2"	1/4"	3500	200	3.3
NEW 20MR6.3X553GT	650.00	20MR6.3X073GT	650.00	6.3	1/2"	1/2"	1/4"	3500	200	3.4
NEW 20MR8.2X553GT	650.00	20MR8.2X073GT	650.00	8.2	1/2"	1/2"	1/4"	3500	200	3.5
NEW 20MR11X553GT	650.00	20MR11X073GT	650.00	11.3	3/4"	3/4"	1/4"	3500	200	3.6
NEW 20MR14X553GT	660.00	20MR14X073GT	660.00	14	3/4"	3/4"	1/4"	3500	200	3.7
NEW 20MR16X553GT	660.00	20MR16X073GT	660.00	16	3/4"	3/4"	1/4"	3500	200	3.8
NEW 20MR19X553GT	660.00	20MR19X073GT	660.00	19	3/4"	3/4"	1/4"	2500	180	4
NEW 20MR22X553GT	660.00	20MR22X073GT	660.00	22	3/4"	3/4"	1/4"	2500	180	4.1
NEW 20MR25X553GT	670.00	20MR25X073GT	670.00	25	3/4"	3/4"	1/4"	2000	160	4.5
NEW 20MR28X553GHT	670.00	20MR28X073HGT	670.00	28	3/4"	3/4"	1/4"	2000	130	4.6

Note: additional charges apply to non-standard motors

Group 2 Motor Seal Kits

Part #	List Price \$	Description
NEW GM2-SKV	70.00	Seal kit (includes viton shaft seal)
NEW GM2-SKT	100.00	Seal kit (includes high pressure shaft seal, 30 bar)
NEW GM2-SSV	30.00	Shaft seal only (viton)
NEW GM2-SST	40.00	Shaft seal only (high pressure, 30 bar)



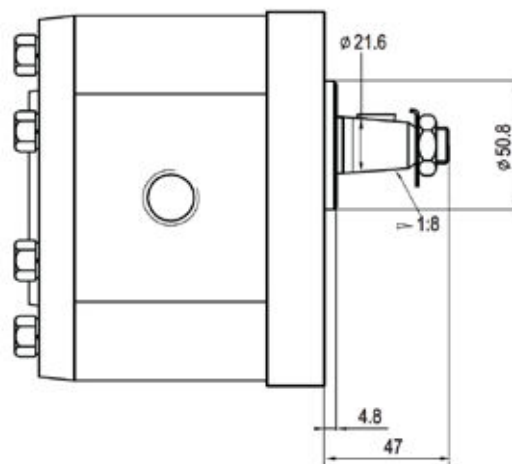
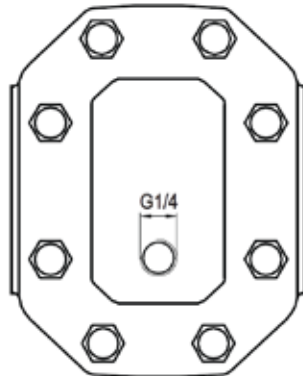
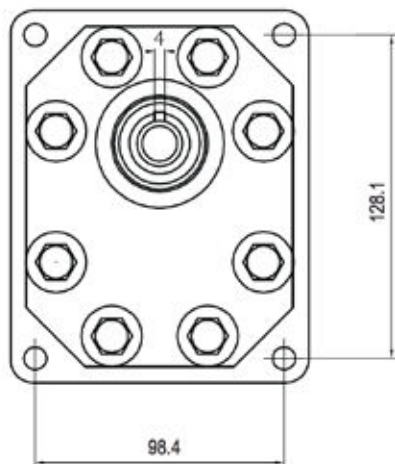
Group 3 Motor (European Standard) 4-Bolt Mount, 1:8 Tapered Shaft

Part #	List Price \$	CC	Port (BSPP)			Max Continuous Speed (RPM)	Max Continuous Pressure (Bar)	Weight (Kg)
			Inlet	Outlet	Case			
NEW 30MR20X568HGT	1190.00	20	3/4"	3/4"	1/4"	2500	200	8.3
NEW 30MR25X568HGT	1190.00	25	3/4"	3/4"	1/4"	2500	200	8.5
NEW 30MR32X568HGT	1190.00	32	1"	1"	1/4"	2500	200	9
NEW 30MR36X568HGT	1200.00	36	1"	1"	1/4"	2300	200	9.3
NEW 30MR42X568HGT	1200.00	42	1"	1"	1/4"	2300	200	9.6
NEW 30MR46X568HGT	1200.00	46	1"	1"	1/4"	2100	200	9.8
NEW 30MR50X568HGT	1210.00	50	1"	1"	1/4"	2100	200	9.9
NEW 30MR55X568HGT	1210.00	55	1"	1"	1/4"	1750	200	10.1
NEW 30MR60X568HGT	1210.00	60	1"	1"	1/4"	1750	180	10.3

Note: additional charges apply to non-standard motors

Group 3 Motor Seal Kits

Part #	List Price \$	Description
NEW GM3-SKV	120.00	Seal kit (includes viton shaft seal)
NEW GM3-SKT	160.00	Seal kit (includes high pressure shaft seal, 30 bar)
NEW GM3-SSV	50.00	Shaft seal only (viton)
NEW GM3-SST	60.00	Shaft seal only (high pressure, 30 bar)



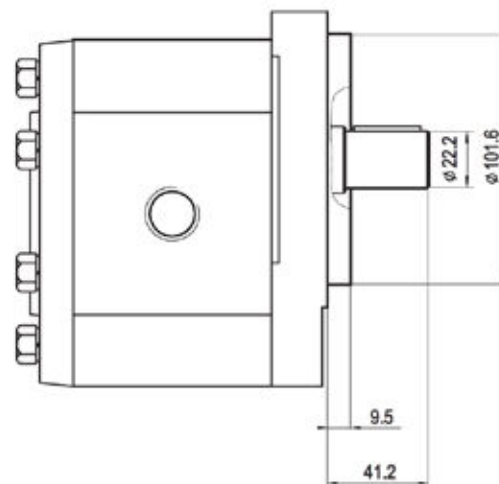
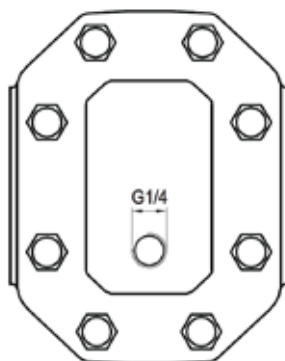
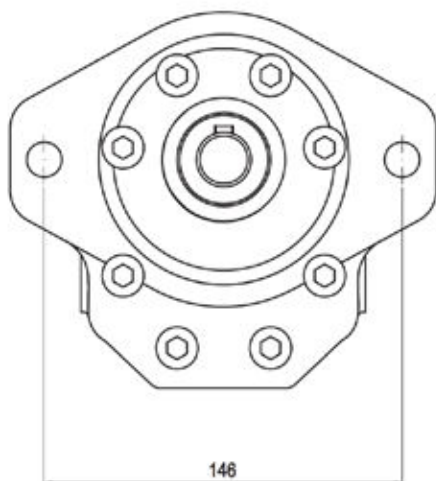
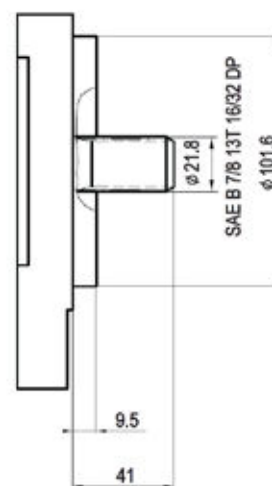
Group 3 Motor (American Standard) SAE-B 2-Bolt Mount, 7/8" Shaft (Keyed or 13T Splined)

Part #	List Price \$	Part #	List Price \$	CC	Port (BSPP)			Max Continuous Speed (RPM)	Max Continuous Pressure (Bar)	Weight (Kg)
					Inlet	Outlet	Case			
NEW 30MR20X237HGT	1190.00	30MR20X236HGT	1190.00	20	3/4"	3/4"	1/4"	2500	200	8.3
NEW 30MR25X237HGT	1190.00	30MR25X236HGT	1190.00	25	3/4"	3/4"	1/4"	2500	200	8.5
NEW 30MR32X237HGT	1190.00	30MR32X236HGT	1190.00	32	1"	1"	1/4"	2500	200	9
NEW 30MR36X237HGT	1200.00	30MR36X236HGT	1200.00	36	1"	1"	1/4"	2300	200	9.3
NEW 30MR42X237HGT	1200.00	30MR42X236HGT	1200.00	42	1"	1"	1/4"	2300	200	9.6
NEW 30MR46X237HGT	1200.00	30MR46X236HGT	1200.00	46	1"	1"	1/4"	2100	200	9.8
NEW 30MR50X237HGT	1210.00	30MR50X236HGT	1210.00	50	1"	1"	1/4"	2100	200	9.9
NEW 30MR55X237HGT	1210.00	30MR55X236HGT	1210.00	55	1"	1"	1/4"	1750	200	10.1
NEW 30MR60X237HGT	1210.00	30MR60X236HGT	1210.00	60	1"	1"	1/4"	1750	180	10.3

Note: additional charges apply to non-standard motors

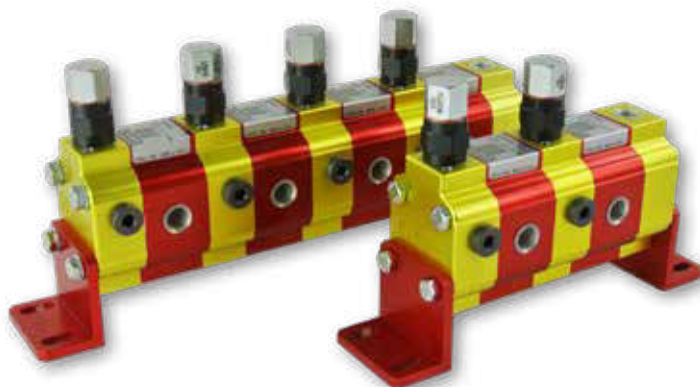
Group 3 Motor Seal Kits

Part #	List Price \$	Description
NEW GM3-SKV	120.00	Seal kit (includes viton shaft seal)
NEW GM3-SKT	160.00	Seal kit (includes high pressure shaft seal, 30 bar)
NEW GM3-SSV	50.00	Shaft seal only (viton)
NEW GM3-SST	60.00	Shaft seal only (high pressure, 30 bar)



GROUP 0 FLOW DIVIDER - with independent phase correction and anti-cavitation

Series	No. of Elements		Relief Range		Displacement Code		List Price \$
9RV	02	2	A	7-70 bar	04	0.45cc	1123.00 per section
	03	3	B	35-175 bar (standard)	06	0.76cc	1123.00 per section
	04	4	C	70-350 bar	09	1.27cc	1123.00 per section
	05	5					
	06	6					
	07	7					
	08	8					

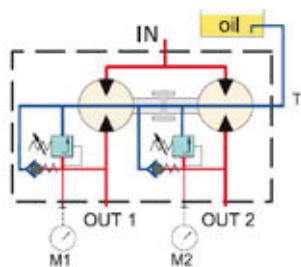


Example:
flow divider w/ 2 elements, same displacements

9RV	02	A	05
------------	-----------	----------	-----------

Example:
flow divider w/ 3 elements, different displacements

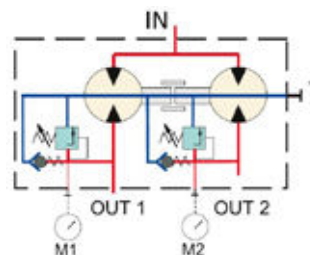
9RV	03	B	04	06	09
------------	-----------	----------	-----------	-----------	-----------



EXTERNAL DRAIN (Standard Setup)

For the correct functioning of the flow divider, it has to be installed under the oil level.

The drain tube has to pick up under the oil level and it has not to aspire air.



INTERNAL DRAIN (Standard Setup)

Note that with this configuration the function of anti-cavitation valves is annulled.

Contact us for lead times.
The configurations below are stocked items.

2-Way Rotary Gear Flow Dividers, Differential Relief

Part #	List Price \$	Displacement per Section	Body Size	Max Pressure (bar)	Inlet Flow Ratings (lpm)			Port Size (BSPP)		Relief Range (bar)
					Min	Recommended	Max	In	Out	
9RV02B04	2247.00	0.45cc	Group 0	210	1.2	2.4	6.0	1/4"	1/4"	35-175
9RV02B06	2247.00	0.76cc	Group 0	210	2.0	4.0	9.6	1/4"	1/4"	35-175
9RV02B09	2247.00	1.27cc	Group 0	210	3.0	6.0	14.4	1/4"	1/4"	35-175

4-Way Rotary Gear Flow Dividers, Differential Relief

9RV04B04	4493.00	0.45cc	Group 0	210	2.4	4.8	12.0	1/4"	1/4"	35-175
9RV04B06	4493.00	0.76cc	Group 0	210	4.0	8.0	19.2	1/4"	1/4"	35-175
9RV04B09	4493.00	1.27cc	Group 0	210	6.0	12.0	28.8	1/4"	1/4"	35-175

GROUP 1 FLOW DIVIDER - with independent phase correction and anti-cavitation

Series	No. of Elements		Relief Range		Displacement Code		List Price \$
9RV	02	2	A	70-210 bar (standard)	18	1.70cc	1270.00 per section
	03	3					B
	04	4			32	6.50cc	1270.00 per section
	05	5					
	06	6					
	07	7					
	08	8					

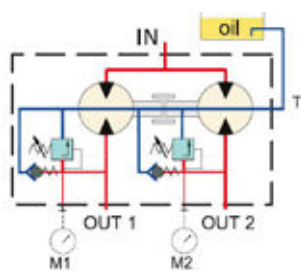


Example:
flow divider w/ 2 elements, same displacements

9RV	02	A	18
------------	-----------	----------	-----------

Example:
flow divider w/ 3 elements, different displacements

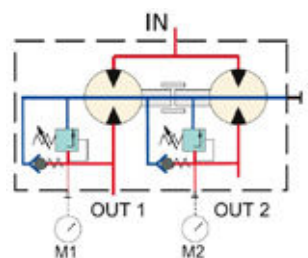
9RV	03	B	32	23	18
------------	-----------	----------	-----------	-----------	-----------



EXTERNAL DRAIN (Standard Setup)

For the correct functioning of the flow divider, it has to be installed under the oil level.

The drain tube has to pick up under the oil level and it has not to aspire air.



INTERNAL DRAIN (Standard Setup)

Note that with this configuration the function of anti-cavitation valves is annulled.

Contact us for lead times.
The configurations below are stocked items.

2-Way Rotary Gear Flow Dividers, Differential Relief

Part #	List Price \$	Displacement per Section	Body Size	Max Pressure (bar)	Inlet Flow Ratings (lpm)			Port Size (BSPP)		Relief Range (bar)
					Min	Recom-mended	Max	In	Out	
9RV02A18	2539.00	1.70cc	Group 1	220	4.0	8.0	18.0	1/2"	3/8"	7-210
9RV02A23	2539.00	3.20cc	Group 1	220	7.0	15.0	36.0	1/2"	3/8"	7-210
9RV02A32	2639.00	6.50cc	Group 1	220	13.0	26.0	60.0	1/2"	3/8"	7-210

4-Way Rotary Gear Flow Dividers, Differential Relief

9RV04A18	5076.00	1.70cc	Group 1	220	8.0	16.0	36.0	1/2"	3/8"	7-210
9RV04A23	5076.00	3.20cc	Group 1	220	14.0	30.0	72.0	1/2"	3/8"	7-210
9RV04A32	5280.00	6.50cc	Group 1	220	26.0	52.0	120.0	1/2"	3/8"	7-210

GROUP 2 FLOW DIVIDER - with independent phase correction and anti-cavitation

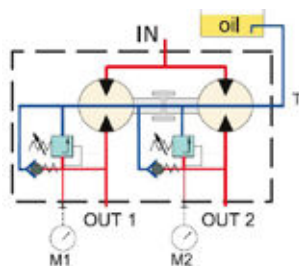
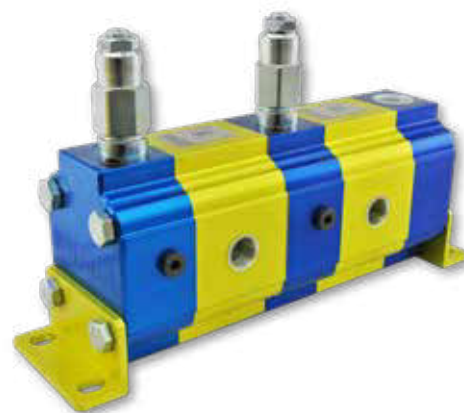
Series	No. of Elements		Relief Range		Displacement Code		List Price \$
9RV	02	2	A	10-105 bar	45	8.40cc	1505.00 per section
	03	3	B	70-210 bar (standard)	47	10.80cc	1505.00 per section
	04	4	C	140-350 bar	51	16.80cc	1535.00 per section
	05	5			55	22.80cc	1588.00 per section
	06	6			59	30.00cc	1683.00 per section
	07	7			63	39.60cc	1683.00 per section
	08	8					

Example:
flow divider w/ 2 elements, same displacements

9RV	02	A	63
------------	-----------	----------	-----------

Example:
flow divider w/ 3 elements, different displacements

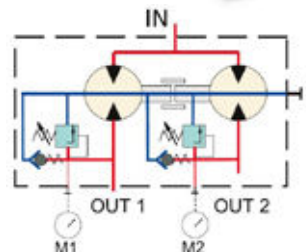
9RV	03	B	47	55	63
------------	-----------	----------	-----------	-----------	-----------



EXTERNAL DRAIN (Standard Setup)

For the correct functioning of the flow divider, it has to be installed under the oil level.

The drain tube has to pick up under the oil level and it has not to aspire air.



INTERNAL DRAIN (Standard Setup)

Note that with this configuration the function of anti-cavitation valves is annulled.

Contact us for lead times.
The configurations below are stocked items.

2-Way Rotary Gear Flow Dividers, Differential Relief

Part #	List Price \$	Displacement per Section	Body Size	Max Press (bar)	Inlet Flow Ratings (lpm)			Port Size (BSPP)		Relief Range (bar)
					Min	Recommended	Max	In	Out	
9RV02B45	3009.00	8.40cc	Group 2	210	21.6	30.2	45.0	3/4"	1/2"	70-210
9RV02B47	3009.00	10.80cc	Group 2	210	26.4	38.8	55.0	3/4"	1/2"	70-210
9RV02B51	3069.00	16.80cc	Group 2	200	40.8	60.4	85.0	3/4"	1/2"	70-210
9RV02B55	3175.00	22.80cc	Group 2	180	52.8	82.0	110.0	3/4"	1/2"	70-210
9RV02B59	3366.00	30.00cc	Group 2	160	72.0	108.0	150.0	1"	3/4"	70-210
9RV02B63	3366.00	39.60cc	Group 2	130	96.0	142.6	200.0	1"	3/4"	70-210

4-Way Rotary Gear Flow Dividers, Differential Relief

9RV04B45	5214.00	8.40	Group 2	210	43.2	60.4	90.0	3/4"	1/2"	70-210
9RV04B47	5308.00	10.80	Group 2	210	52.8	77.6	110.0	3/4"	1/2"	70-210
9RV04B51	5310.00	16.80	Group 2	200	81.6	120.8	170.0	3/4"	1/2"	70-210
9RV04B55	5492.00	22.80	Group 2	180	105.6	164.0	220.0	3/4"	1/2"	70-210
9RV04B59	5825.00	30.00	Group 2	160	144.0	216.0	300.0	1"	3/4"	70-210
9RV04B63	5825.00	39.60	Group 2	130	192.0	285.2	400.0	1"	3/4"	70-210

GROUP 3 FLOW DIVIDER - with independent phase correction and anti-cavitation

Series	No. of Elements		Relief Range		Displacement Code		List Price \$
9RV	02	2	A	10-105 bar	70	21cc	3674.00 per section
	03	3	B	70-210 bar (standard)	78	38cc	3832.00 per section
	04	4	C	140-350 bar	81	51cc	3930.00 per section
	05	5			85	64cc	3930.00 per section
	06	6					
	07	7					
	08	8					

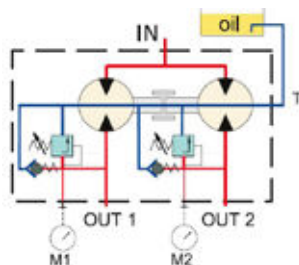


Example:
flow divider w/ 2 elements, same displacements

9RV	02	A	70
------------	-----------	----------	-----------

Example:
flow divider w/ 3 elements, different displacements

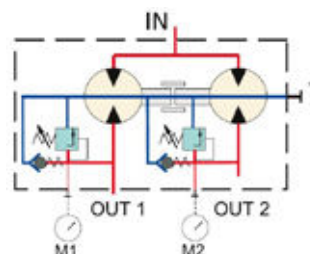
9RV	03	B	70	70	81
------------	-----------	----------	-----------	-----------	-----------



EXTERNAL DRAIN (Standard Setup)

For the correct functioning of the flow divider, it has to be installed under the oil level.

The drain tube has to pick up under the oil level and it has not to aspire air.



INTERNAL DRAIN (Standard Setup)

Note that with this configuration the function of anti-cavitation valves is annulled.

Contact us for lead times.
The configurations below are stocked items.

2-Way Rotary Gear Flow Dividers, Differential Relief

Part #	List Price \$	Displacement per Section	Body Size	Max Pressure (bar)	Inlet Flow Ratings (lpm)			Port Size (BSPP)		Relief Range (bar)
					Min	Recommended	Max	In	Out	
9RV02B70	7347.00	21.00	Group 3	280	50.0	76.0	105.0	1"	1/2"	70-210
9RV02B78	7664.00	38.00	Group 3	250	82.0	120.0	182.0	1"	3/4"	70-210
9RV02B81	7862.00	51.00	Group 3	230	102.0	153.0	234.0	1.1/4"	1"	70-210
9RV02B85	7862.00	64.00	Group 3	210	114.0	166.0	256.0	1.1/4"	1"	70-210

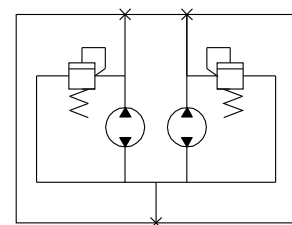
4-Way Rotary Gear Flow Dividers, Differential Relief

9RV04B70	14693.00	21.00	Group 3	280	100.0	152.0	210.0	1"	1/2"	70-210
9RV04B78	15328.00	38.00	Group 3	250	164.0	240.0	364.0	1"	1/2"	70-210
9RV04B81	15718.00	51.00	Group 3	230	204.0	306.0	468.0	1.1/4"	1"	70-210
9RV04B85	15718.00	64.00	Group 3	210	228.0	332.0	512.0	1.1/4"	1"	70-210

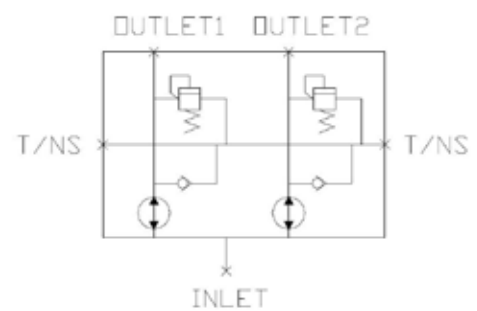
2-Way Rotary Gear Flow Dividers, Differential Relief

Part #	List Price \$	Maximum Pressure (bar)		Inlet Flow Ratings (lpm)		Port Size (BSPP)		Pressure Drop (bar)
		Continuous	Differential	Min	Max	In	Out	
1FDF-1.6-L05-2	989.00	240	124	6.0	10.2	1/2"	3/8"	16-19
1FDF-3.18-L08-2	1020.00	240	124	12.8	21.1	3/4"	1/2"	16-19
1FDF-5.29-L08-2	1049.00	240	124	22.8	36.3	3/4"	1/2"	16-19
1FDF-8.42-L08-2	1102.00	240	124	34.0	54.5	3/4"	1/2"	16-19
2FDF-14-L08-2	2329.00	220	200	14.0	54.4	3/4"	1/2"	11-14
2FDF-25-L03-2	2375.00	220	200	24.0	84.8	1"	3/4"	11-14

1FDF



2FDF

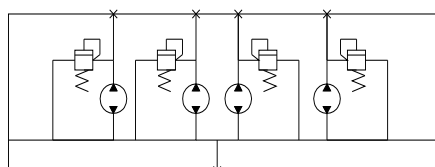


Differential relief valves
standard set 750psi

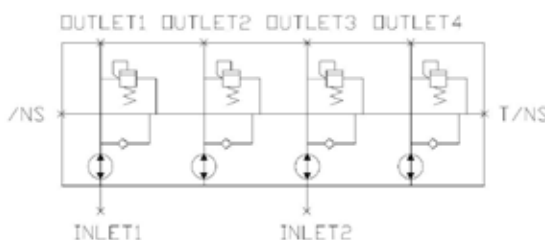
4-Way Rotary Gear Flow Dividers, Differential Relief

Part #	List Price \$	Maximum Pressure (bar)		Inlet Flow Ratings (lpm)		Port Size (BSPP)		Pressure Drop (bar)
		Continuous	Differential	Min	Max	In	Out	
1FDF-1.6-L05-4	1978.00	240	124	12.3	20.4	1/2"	3/8"	16-19
1FDF-3.18-L08-4	2039.00	240	124	25.6	42.2	3/4"	1/2"	16-19
1FDF-5.29-L08-4	2098.00	240	124	45.6	72.6	3/4"	1/2"	16-19
1FDF-8.42-L08-4	2201.00	240	124	68.0	109.0	1"	1/2"	16-19
2FDF-14-L08-4	4657.00	220	200	33.6	108.8	1"	3/4"	11-14
2FDF-25-L03-4	4748.00	220	200	48.0	169.6	1.1/2"	1"	11-14

1FDF



2FDF



6-Way Rotary Gear Flow Dividers, Differential Relief

Part #	List Price \$	Maximum Pressure (bar)		Inlet Flow Ratings (lpm)		Port Size (BSPP)		Pressure Drop (bar)
		Continuous	Differential	Min	Max	In	Out	
1FDF-2.0-L05-6	3146.00	240	124	38.4	63.3	1/2"	3/8"	16-19

