

CATFORD

Jamestown

SA 5491

ENGINEERING PRODUCTS

All Prices Excluding GST

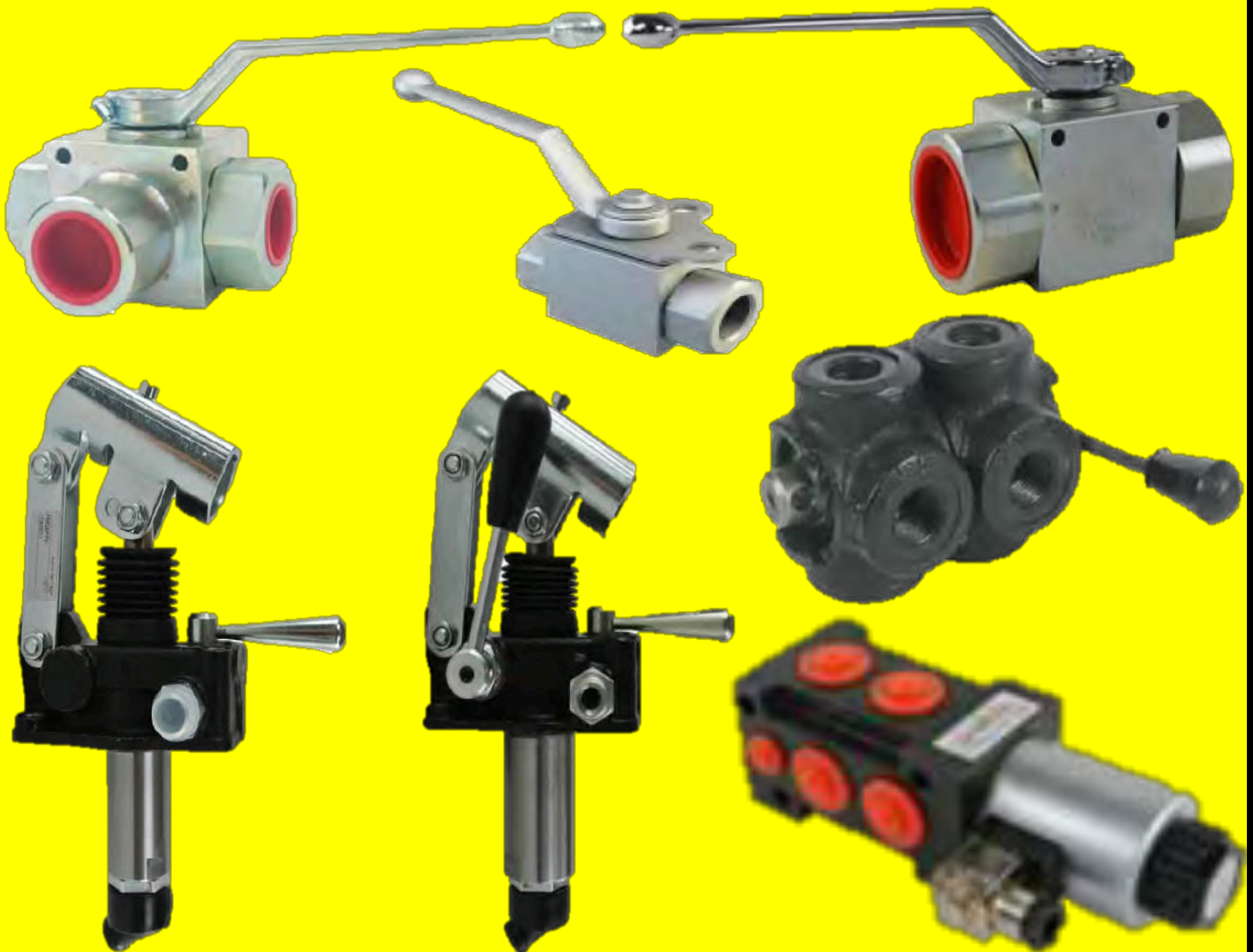
Phone: 0418 641 566

www.catford.com.au sales@catford.com.au

Hand Pumps, Diverter & Ball Valves

*Manual Diverter Valves *Solenoid Diverter Valves

*Ball Valves *Locking Devices *Hand Pumps & Tanks





Lot 25, Mannanarie Road, Jamestown, South Australia 5491

PO Box 178, Jamestown, South Australia 5491



0418 641 566



sales@catford.com.au

Due to fluctuations in the Australian dollar and the economic climate, please be advised that all prices are subject to change.
Please contact us to confirm pricing.

All prices stated within are exclusive of GST

(All prices are correct as of January 1st 2024, but Catford Engineering reserve the right to change these prices without notice)

Hand Pumps, Diverter & Ball Valves

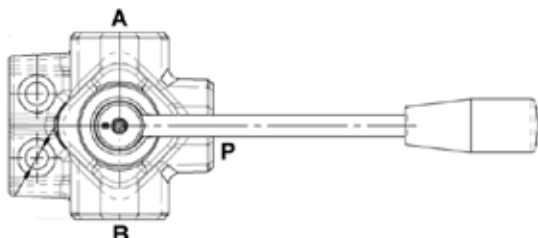
CATFORD Jamestown
SA 5491
CE ENGINEERING
PRODUCTS

Phone: 0418 641 566

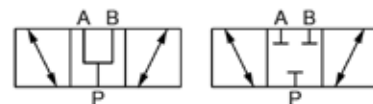
www.catford.com.au sales@catford.com.au

Manual Diverter Valve - 3 Port

	Part #	List Price \$	Ports	Max Pressure	Max Flow	Spool Crossover	(Supplied not painted)
NEW	357B/3/31-G	110.00	3/8" BSPP	315 bar	60 lpm	Open centre	
NEW	358B/3/31-G	140.00	1/2" BSPP	315 bar	90 lpm	Open centre	
NEW	359B/3/31-G	160.00	3/4" BSPP	315 bar	140 lpm	Open centre	
NEW	357B/3/30-G	110.00	3/8" BSPP	315 bar	60 lpm	Closed centre	
NEW	358B/3/30-G	140.00	1/2" BSPP	315 bar	90 lpm	Closed centre	
NEW	359B/3/30-G	160.00	3/4" BSPP	315 bar	140 lpm	Closed centre	



Badestnost
MADE IN EUROPE

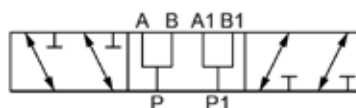
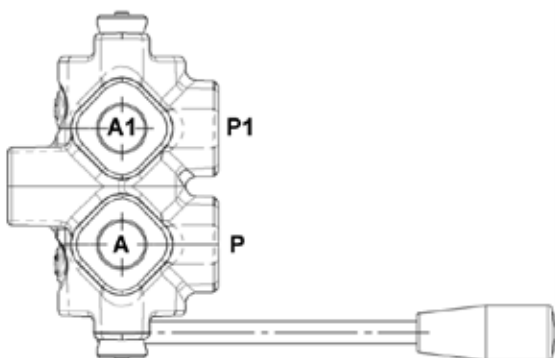


31

30

Manual Diverter Valve - 6 Port

	Part #	List Price \$	Ports	Max Pressure	Max Flow	Spool Crossover	(Supplied not painted)
NEW	459B/6/31-G	240.00	3/8" BSPP	315 bar	60 lpm	Open centre	
NEW	460B/6/31-G	300.00	1/2" BSPP	315 bar	90 lpm	Open centre	
NEW	461B/6/31-G	350.00	3/4" BSPP	315 bar	140 lpm	Open centre	
NEW	459B/6/30-G	240.00	3/8" BSPP	315 bar	60 lpm	Closed centre	
NEW	460B/6/30-G	300.00	1/2" BSPP	315 bar	90 lpm	Closed centre	
NEW	461B/6/30-G	350.00	3/4" BSPP	315 bar	140 lpm	Closed centre	



31

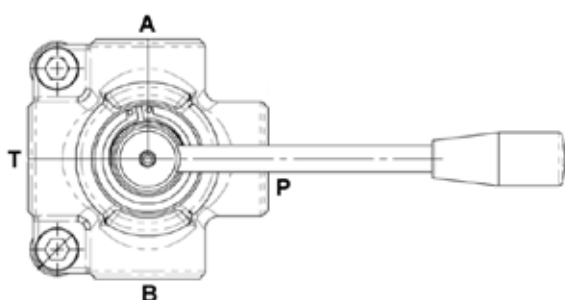


30

Badestnost
MADE IN EUROPE

Manual Diverter Valve - 4 Port

	Part #	List Price \$	Ports	Max Pressure	Max Flow	Spool Crossover	(Supplied not painted)
NEW	303-7/4/42-G	140.00	3/8" BSPP	315 bar	60 lpm	Open centre	
NEW	303-8/4/42-G	140.00	1/2" BSPP	315 bar	90 lpm	Open centre	
NEW	303-9/4/42-G	160.00	3/4" BSPP	315 bar	140 lpm	Open centre	
NEW	303-7/4/40-G	140.00	3/8" BSPP	315 bar	60 lpm	Closed centre	
NEW	303-8/4/40-G	140.00	1/2" BSPP	315 bar	90 lpm	Closed centre	
NEW	303-9/4/40-G	160.00	3/4" BSPP	315 bar	140 lpm	Closed centre	



Badestnost
MADE IN EUROPE

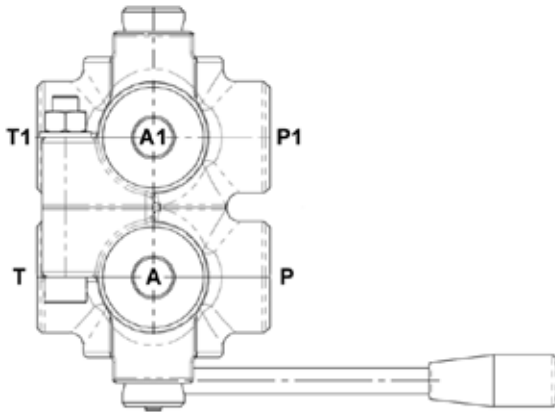


40

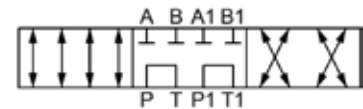
42

Manual Diverter Valve - 8 Port

Part #	List Price \$	Ports	Max Pressure	Max Flow	Spool Crossover	(Supplied not painted)
NEW 662-7/8/42-G	300.00	3/8" BSPP	315 bar	60 lpm	Open centre	
NEW 662-8/8/42-G	300.00	1/2" BSPP	315 bar	90 lpm	Open centre	
NEW 662-9/8/42-G	350.00	3/4" BSPP	315 bar	140 lpm	Open centre	
NEW 662-7/8/40-G	300.00	3/8" BSPP	315 bar	60 lpm	Closed centre	
NEW 662-8/8/40-G	300.00	1/2" BSPP	315 bar	90 lpm	Closed centre	
NEW 662-9/8/40-G	350.00	3/4" BSPP	315 bar	140 lpm	Closed centre	



40



42

Badestnost

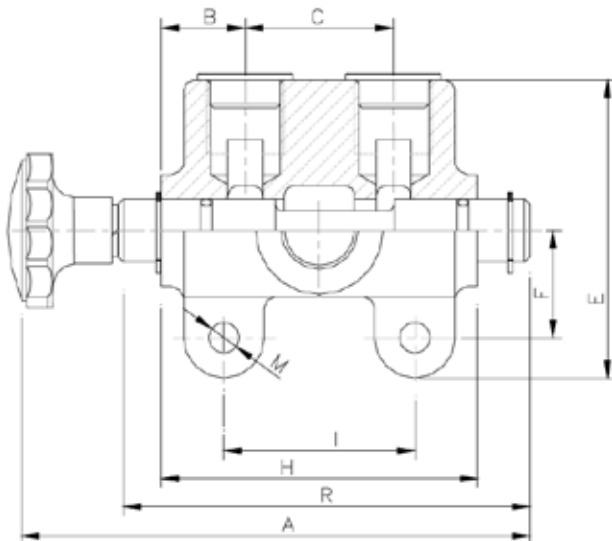
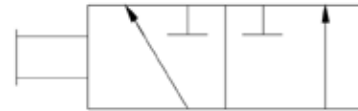
MADE IN EUROPE

Manual Diverter Valve - 3 Port Push/Pull

Part #	List Price \$	Ports	Max Pressure	Flow	Mounting	Weight
NEW SV80AG12K	220.00	1/2" BSPP	210 bar	75 lpm	9mm	1.4 kg
NEW SV120AG34K	330.00	3/4" BSPP	210 bar	113 lpm	9mm	2.4 kg

Dimensions (mm)

Part #	A	B	C	E	F	H	I	M	R
SV80AG12K	147.1	24.6	41.4	84.1	30.2	90.4	54.1	8.9	117.4
SV120AG34K	168.2	28.7	53.9	101.6	38.1	111.3	76.2	8.9	138.2

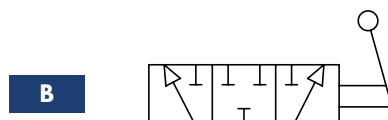
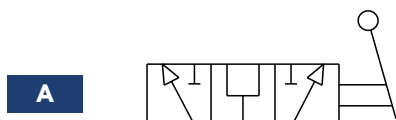


Badestnost

MADE IN EUROPE

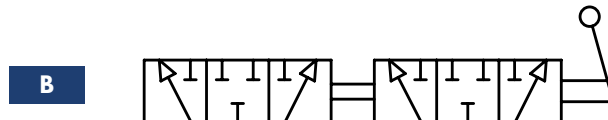
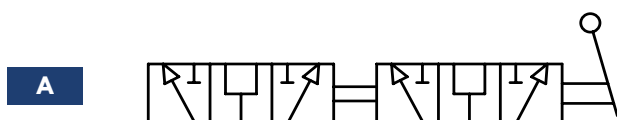
Manual Diverter Valve - 3 Port

Part #	List Price \$	Ports	Max Pressure	Max Flow	Spool Crossover	Tech Data Ref.
DDF3380A	112.00	3/8" BSPP	350 bar	60 lpm	Open centre	7000.0100
DDF3120A	146.00	1/2" BSPP	350 bar	90 lpm	Open centre	7000.0101
DDF3340A	163.00	3/4" BSPP	350 bar	120 lpm	Open centre	7000.0102
DDF3100A	224.00	1" BSPP	300 bar	200 lpm	Open centre	7000.0103
DDF3380B	121.00	3/8" BSPP	350 bar	60 lpm	Closed centre	7000.0107
DDF3120B	156.00	1/2" BSPP	350 bar	90 lpm	Closed centre	7000.0108
DDF3340B	167.00	3/4" BSPP	350 bar	120 lpm	Closed centre	7000.0109
DDF3100B	235.00	1" BSPP	300 bar	200 lpm	Closed centre	7000.0110



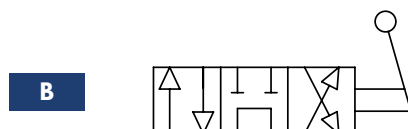
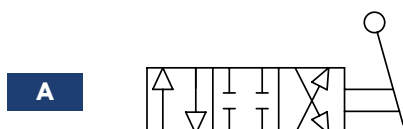
Manual Diverter Valve - 6 Port

Part #	List Price \$	Ports	Max Pressure	Max Flow	Spool Crossover	Tech Data Ref.
DDF6380A	239.00	3/8" BSPP	350 bar	60 lpm	Open centre	7003.0100
DDF6120A	309.00	1/2" BSPP	350 bar	90 lpm	Open centre	7003.0101
DDF6340A	333.00	3/4" BSPP	350 bar	120 lpm	Open centre	7003.0102
DDF6100A	485.00	1" BSPP	300 bar	200 lpm	Open centre	7003.0103
DDF6380B	256.00	3/8" BSPP	350 bar	60 lpm	Closed centre	7003.0107
DDF6120B	326.00	1/2" BSPP	350 bar	90 lpm	Closed centre	7003.0108
DDF6340B	350.00	3/4" BSPP	350 bar	120 lpm	Closed centre	7003.0109
DDF6100B	506.00	1" BSPP	300 bar	200 lpm	Closed centre	7003.0110



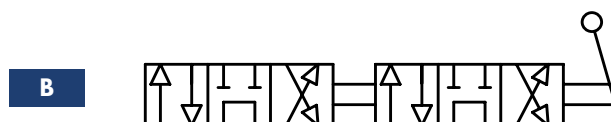
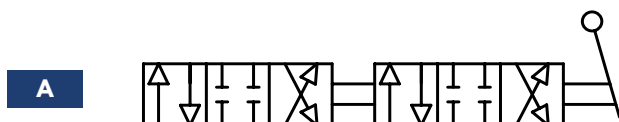
Manual Diverter Valve - 4 Port

Part #	List Price \$	Ports	Max Pressure	Max Flow	Spool Crossover	Tech Data Ref.
IDF4380A	175.00	3/8" BSPP	350 bar	60 lpm	Closed centre	7001.0107
IDF4120A	183.00	1/2" BSPP	350 bar	90 lpm	Closed centre	7001.0108
IDF4340A	262.00	3/4" BSPP	350 bar	120 lpm	Closed centre	7001.0109
IDF4100A	281.00	1" BSPP	300 bar	200 lpm	Closed centre	7001.0110
IDF4380B	170.00	3/8" BSPP	350 bar	60 lpm	Open centre	7001.0100
IDF4120B	175.00	1/2" BSPP	350 bar	90 lpm	Open centre	7001.0101
IDF4340B	253.00	3/4" BSPP	350 bar	120 lpm	Open centre	7001.0102
IDF4100B	271.00	1" BSPP	300 bar	200 lpm	Open centre	7001.0103



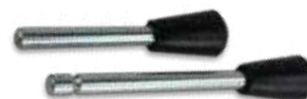
Manual Diverter Valve - 8 Port

Part #	List Price \$	Ports	Max Pressure	Max Flow	Spool Crossover	Tech Data Ref.
IDF8380A	362.00	3/8" BSPP	350 bar	60 lpm	Closed centre	7005.0107
IDF8120A	382.00	1/2" BSPP	350 bar	90 lpm	Closed centre	7005.0108
IDF8340A	535.00	3/4" BSPP	350 bar	120 lpm	Closed centre	7005.0109
IDF8100A	586.00	1" BSPP	300 bar	200 lpm	Closed centre	7005.0110
IDF8380B	347.00	3/8" BSPP	350 bar	60 lpm	Open centre	7005.0100
IDF8120B	364.00	1/2" BSPP	350 bar	90 lpm	Open centre	7005.0101
IDF8340B	517.00	3/4" BSPP	350 bar	120 lpm	Open centre	7005.0102
IDF8100B	569.00	1" BSPP	300 bar	200 lpm	Open centre	7005.0103



Manual Diverter Valve - Replacement Handles

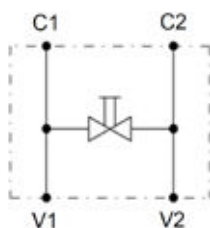
Part #	List Price \$	To Fit	Port Size
12000030	15.00	DDF/IDF	3/4", 1"



Manual Diverter Float Valve

Part #	List Price \$	Ports	Max Pressure	Max Flow
VDF 03	219.00	1/2" BSPP	210 bar	35 lpm

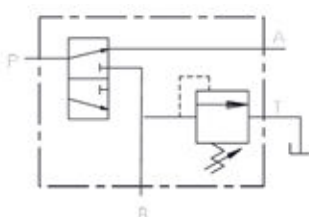
MADE IN EUROPE



Manual Diverter Valve 2 Position with Relief

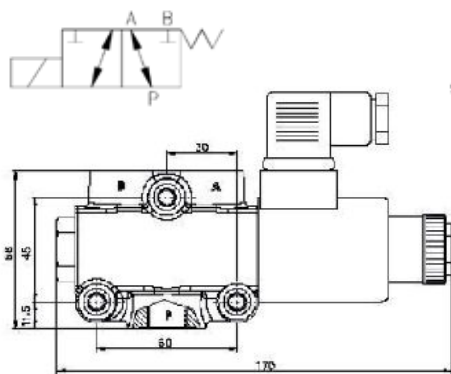
Part #	List Price \$	Ports	Max Pressure	Max Flow	Relief Range
VI4WAM0480-20-A	576.00	3/4" BSPP	350 bar	120 lpm	30-26- bar

MADE IN EUROPE



Solenoid Diverter Valve - 3 Port

	Part #	List Price \$	Voltage	Flow	Ports	Pressure Drain	Pressure No Drain	Weight
NEW	3/2FDV061A1012	540.00	12v DC	90 LPM	1/2"	315 bar	210 bar	1.9kg
NEW	3/2FDV061A1024	540.00	24v DC	90 LPM	1/2"	315 bar	210 bar	1.9kg



Solenoid Diverter Valve - 6 Port (Stackable)

	Part #	List Price \$	Handle/ Solenoid	Voltage	Flow	Ports	Pressure		Mounting Holes	Weight
							Drain	No Drain		
NEW	DVS6-L-12V-G38	360.00	Solenoid	12v DC	50 LPM	3/8"	315 bar	210 bar	6.5mm	2.7kg
NEW	DVS6-L-24V-G38	360.00	Solenoid	24v DC	50 LPM	3/8"	315 bar	210 bar	6.5mm	2.7kg
NEW	DV60(R)/A11KZ1-G	360.00	Handle	-	50 LPM	3/8"	315 bar	210 bar	6.5mm	2.6kg
NEW	SVV-12V-G	480.00	Solenoid	12v DC	80 LPM	1/2"	-	250 bar	8.5mm	4.4kg
NEW	SVV-24V-G	480.00	Solenoid	24v DC	80 LPM	1/2"	-	250 bar	8.5mm	4.4kg

Replacement Coils

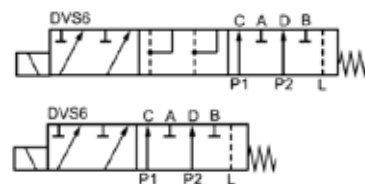
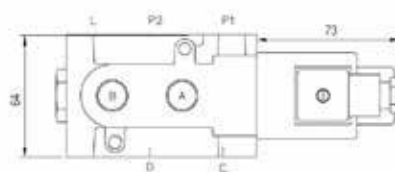
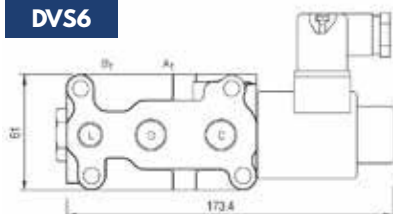
	Part #	List Price \$	Voltage	Suits Valve Series
NEW	4112977	100.00	12v DC	DVS6
NEW	4112978	100.00	24v DC	DVS6
NEW	4102585	180.00	12v DC	SVV6
NEW	4102588	180.00	24v DC	SVV6

Badestnost

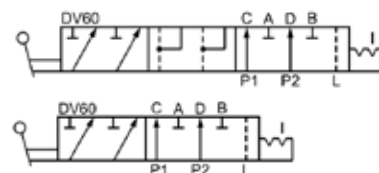
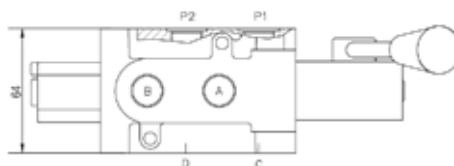
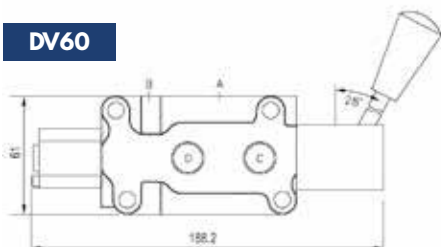
MADE IN EUROPE



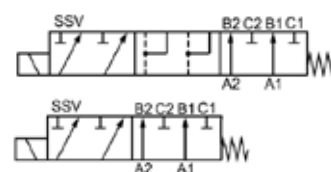
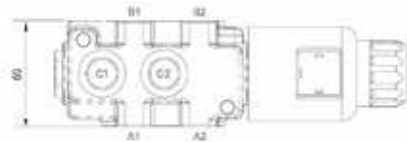
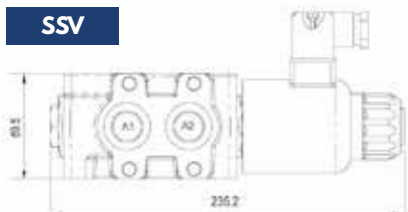
DVS6



DV60

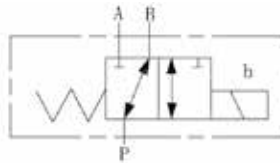


SSV



Solenoid Diverter Valves - 3 Port

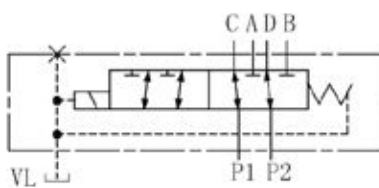
Part #	List Price \$	Ports	Max Pressure	Max Flow	Spool Crossover
HVC-10-12VDC	401.00	1/2" BSPP	210 bar	80 lpm	Open
HVC-10-24VDC	401.00	1/2" BSPP	210 bar	80 lpm	Open



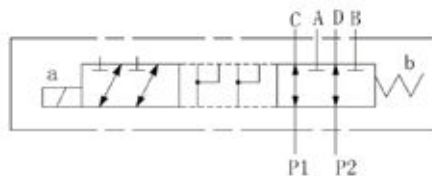
Solenoid Diverter Valves 6 - Port

(drain must be fitted above 150 bar where indicated)

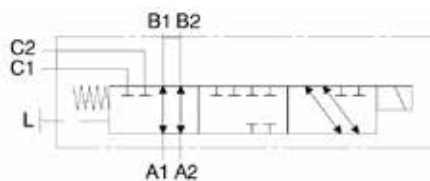
Part #	List Price \$	Ports	Drain	Max Pressure	Max Flow	Bankable	Spool Crossover
MOP-06-12VDC	518.00	3/8" BSPP	1/4" BSPP	250 bar	50 lpm	Yes	Closed
MOP-06-24VDC	518.00	3/8" BSPP	1/4" BSPP	250 bar	50 lpm	Yes	Closed



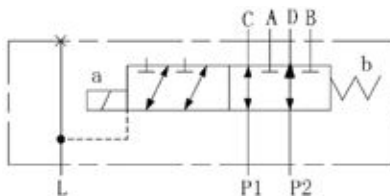
Part #	List Price \$	Ports	Drain	Max Pressure	Max Flow	Bankable	Spool Crossover
ZVH-06-12VDC	565.00	3/8" BSPP	-	210 bar	50 lpm	No	Open
ZVH-06-24VDC	565.00	3/8" BSPP	-	210 bar	50 lpm	No	Open



Part #	List Price \$	Ports	Drain	Max Pressure	Max Flow	Bankable	Spool Crossover
SCS4-1S-1Y-1G4-12VDC	648.00	1/2" BSPP	3/8" BSPP	315 bar	80 lpm	Yes	Closed
SCS4-1S-1Y-2G4-24VDC	648.00	1/2" BSPP	3/8" BSPP	315 bar	80 lpm	Yes	Closed



Part #	List Price \$	Ports	Drain	Max Pressure	Max Flow	Bankable	Spool Crossover
SVK-10-12VDC	681.00	3/4" BSPP	1/4" BSPP	250 bar	80 lpm	Yes	Closed
SVK-10-24VDC	681.00	3/4" BSPP	1/4" BSPP	250 bar	80 lpm	Yes	Closed



Part #	List Price \$	Ports	Drain	Max Pressure	Max Flow	Bankable	Spool Crossover
KVH6-MB-G1/2	542.00	1/2" BSPP	-	250 bar	50 lpm	No	Closed



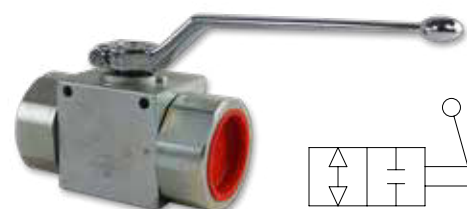
Solenoid Diverter Valves - Replacement Coils

Part #	List Price \$	Voltage	Suits Valves Series
2SCSV001	223.00	12v DC	SCS4
2SCSV002	223.00	24v DC	SCS4
COIL-06-12VDC	79.00	12v DC	MOP, ZVH
COIL-06-24VDC	79.00	24v DC	MOP, ZVH
COIL-06-48VDC	79.00	48v DC	MOP, ZVH
COIL-06-110VAC	79.00	110v AC	MOP, ZVH
COIL-06-220VAC	79.00	220v AC	MOP, ZVH
COIL-10-12VDC	103.00	12v DC	HVC, SVK
COIL-10-24VDC	103.00	24v DC	HVC, SVK
COIL-10-110VAC	103.00	110v AC	HVC, SVK
COIL-10-220VAC	103.00	220v AC	HVC, SVK



Ball Valves - 2 Port (Steel)

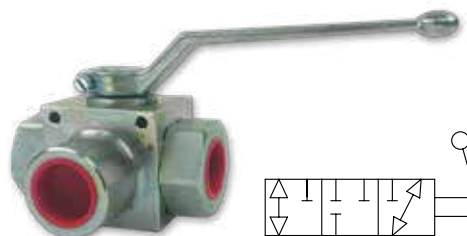
Part #	List Price \$	Ports	Max Pressure	Max Flow
RAS2140P	78.00	1/4" BSPP	500 bar	25 lpm
RAS2380P	84.00	3/8" BSPP	500 bar	35 lpm
RAS2120P	103.00	1/2" BSPP	500 bar	60 lpm
RAS2340P	185.00	3/4" BSPP	400 bar	100 lpm
RAS2100P	234.00	1" BSPP	350 bar	150 lpm
RAS2114P	260.00	1.1/4" BSPP	350 bar	150 lpm
RAS2112P	288.00	1.1/2" BSPP	350 bar	150 lpm



OLEOWEB
MADE IN EUROPE

Ball Valves - 3 Port (Steel)

Part #	List Price \$	Ports	Max Pressure	Max Flow
RAS3140P	155.00	1/4" BSPP	400 bar	25 lpm
RAS3380P	166.00	3/8" BSPP	400 bar	35 lpm
RAS3120P	179.00	1/2" BSPP	350 bar	60 lpm
RAS3340P	351.00	3/4" BSPP	350 bar	100 lpm
RAS3100P	396.00	1" BSPP	350 bar	150 lpm
RAS3114P	436.00	1.1/4" BSPP	350 bar	150 lpm
RAS3112P	504.00	1.1/2" BSPP	350 bar	150 lpm



OLEOWEB
MADE IN EUROPE

Ball Valves Accessories

Part #	List Price \$	To Fit	Port Size	Description
89800001	52.00	RAS2/RAS3	1/4", 3/8", 1/2"	Replacement handle
89800002	93.00	RAS2/RAS3	3/4", 1", 1.1/4", 1.1/2"	3/4", 1", 1.1/4", 1.1/2"
LK6-F	93.00	RAS2/RAS3	1/4", 3/8", 1/2"	Steel locking device
LK20-F	132.00	RAS2/RAS3	3/4", 1", 1.1/4", 1.1/2"	Steel locking device
SB6	128.00	RAS2/RAS3	1/4", 3/8", 1/2"	Steel locking device
SB20	200.00	RAS2/RAS3	3/4", 1", 1.1/4", 1.1/2"	Steel locking device



LK



SB



Hand Pump (Single Acting) with Relief - Remote Mounting

Remote mount dual action hand pump for single-acting cylinder, with pressure relief

Part #	List Price \$	Size	Optimal Pressure	Maximum Pressure
PMP20-BYB-E-S	494.00	20 cc	150 bar	350 bar
PMO50-BYB-E-S	561.00	50 cc	80 bar	280 bar
PMO70-BYB-E-S	807.00	70 cc	50 bar	200 bar

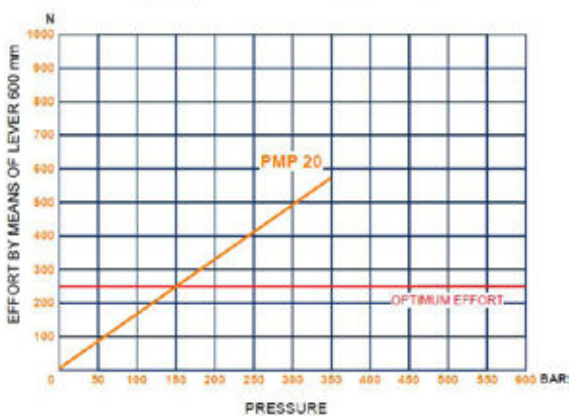
Remote mount dual action hand pump for single-acting cylinder, with pressure relief - plus hand release knob

Part #	List Price \$	Size	Optimal Pressure	Maximum Pressure
PMP20-BYB-S	523.00	20 cc	150 bar	350 bar
PMO50-BYB-S	582.00	50 cc	80 bar	280 bar
PMO70-BYB-S	823.00	70 cc	50 bar	200 bar

20cc

EFFORT DIAGRAM

pin in D (distance between centers: 40 mm)



PMP

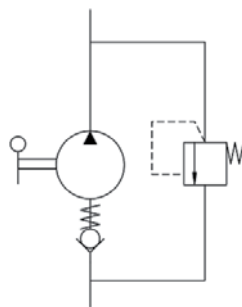
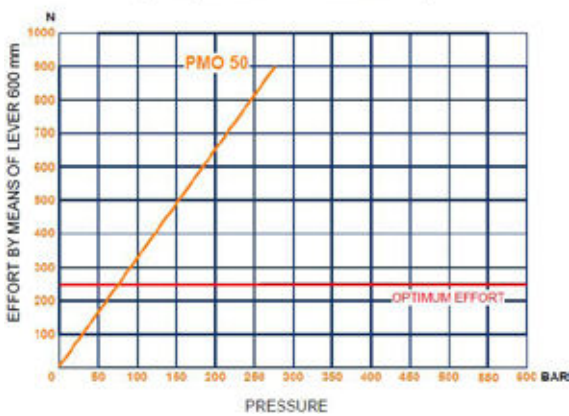


PMO

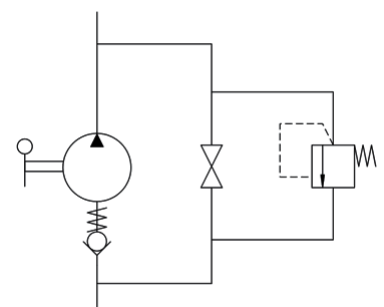
50cc

EFFORT DIAGRAM

pin in E (distance between centers: 51 mm)



Without release hand knob

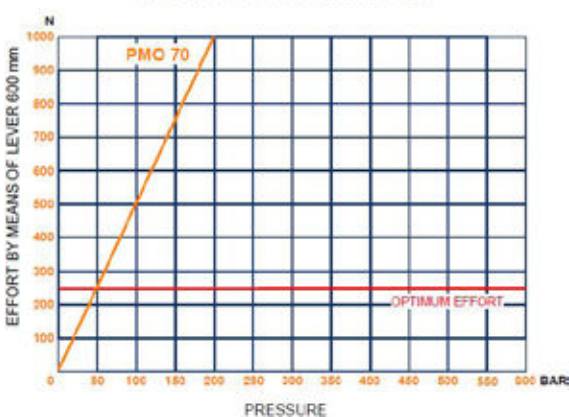


With release hand knob

70cc

EFFORT DIAGRAM

pin in E (distance between centers: 51 mm)



MADE IN EUROPE

Rubber shaft protection
on all hand pumps

Hand Pump (Single Acting) with Relief - Tank Mount

Dual action hand pump for single-acting cylinder, for fixing to tank. Pressure relief valve with relief release hand knob.

Part #	List Price \$	Size	Optimal Pressure	Maximum Pressure
PM12-BYB-S	510.00	12 cc	220 bar	380 bar
PM25-BYB-S	518.00	25 cc	120 bar	350 bar
PM45-BYB-S	548.00	45 cc	80 bar	250 bar

Dual action hand pump for single-acting cylinder, for fixing to tank. Pressure relief valve with relief release lever.

Part #	List Price \$	Size	Optimal Pressure	Maximum Pressure
PM12-BYB-L-S	537.00	12 cc	220 bar	380 bar
PM25-BYB-L-S	548.00	25 cc	120 bar	350 bar
PM45-BYB-L-S	561.00	45 cc	80 bar	250 bar



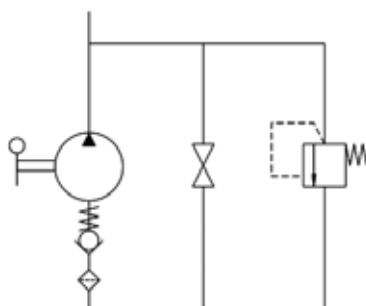
With release hand knob



With release lever

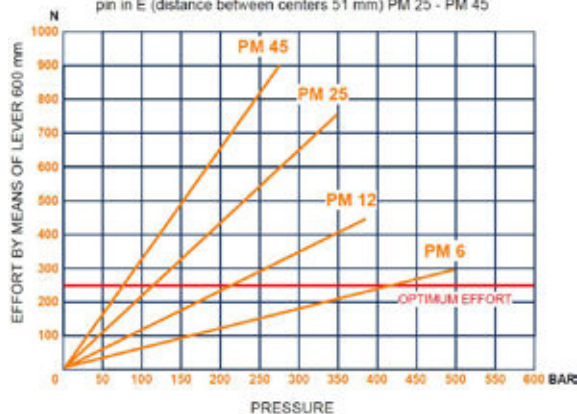
Rubber shaft protection on all hand pumps

Tanks on page 78



EFFORT DIAGRAM

pin in D (distance between centers 40 mm) PM 6 - PM 12
pin in E (distance between centers 51 mm) PM 25 - PM 45



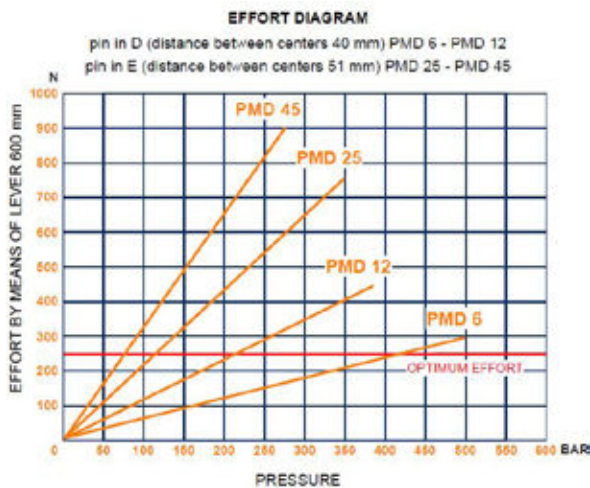
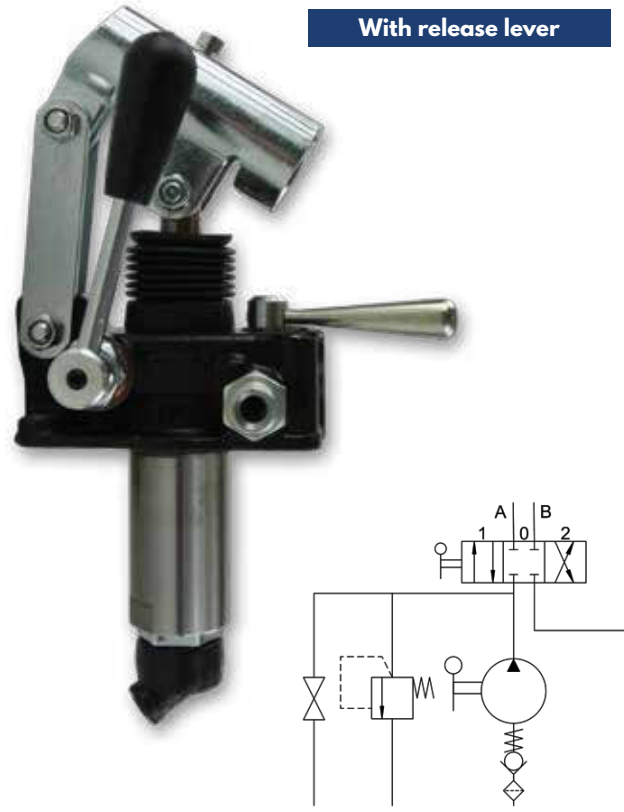
Hand Pump (Double Acting) with Relief - Tank Mount

Dual action hand pump for double-acting cylinder, for fixing to tank. Pressure relief valve, 4/3 flow divider closed centre.

Part #	List Price \$	Size	Optimal Pressure	Maximum Pressure
PMD12-BYB-S	565.00	12 cc	220 bar	380 bar
PMD25-BYB-S	574.00	25 cc	120 bar	350 bar
PMD45-BYB-S	600.00	45 cc	80 bar	280 bar

As above, with release lever.

Part #	List Price \$	Size	Optimal Pressure	Maximum Pressure
PMD12-BYA-L-S	616.00	12 cc	220 bar	380 bar
PMD25-BYA-L-S	616.00	25 cc	120 bar	350 bar
PMD45-BYA-L-S	650.00	45 cc	80 bar	280 bar

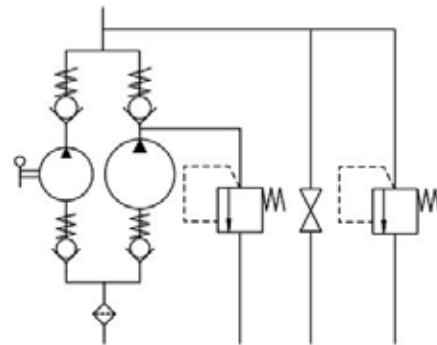
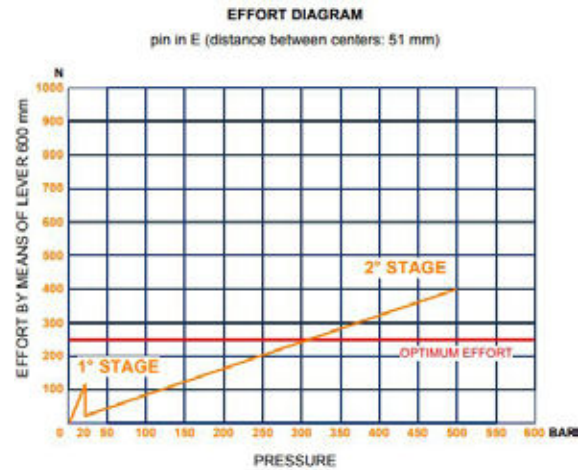


Tanks on page 78

Rubber shaft protection on all hand pumps

Hand Pump (Hi-Lo) with Relief - Tank Mount

Part #	List Price \$	Size		Optimal Pressure		Relief
		Stage 1	Stage 2	Stage 1	Stage 2	
PM2V5/80A-BYB-PM-S	1617.00	80 cc	5 cc	20 bar	500 bar	Adjustable relief 50-500 bar



Rubber shaft protection
on all hand pumps

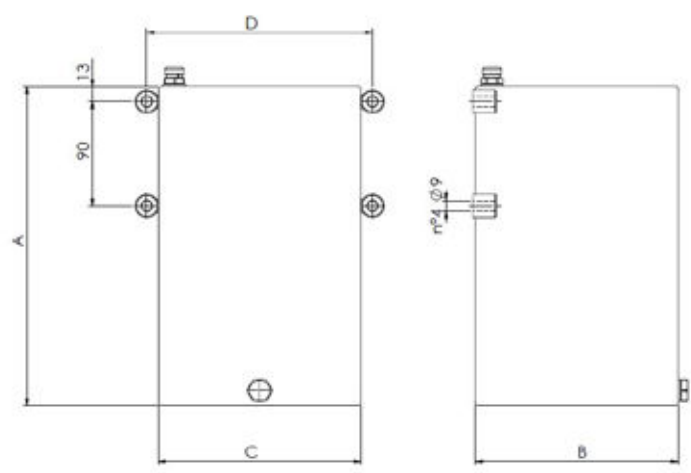
Tanks on page 78

Hand Pump Accessories

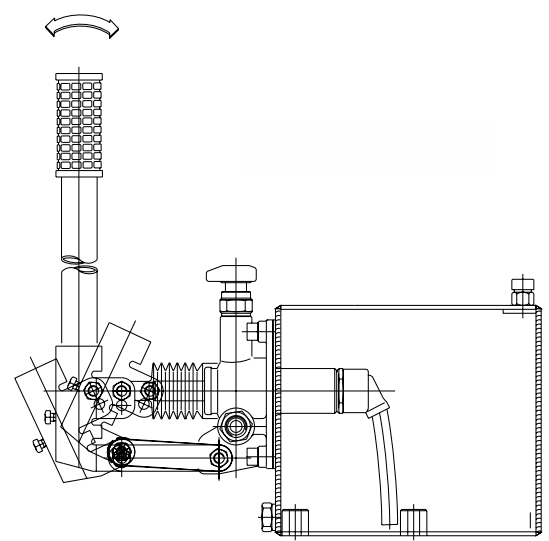
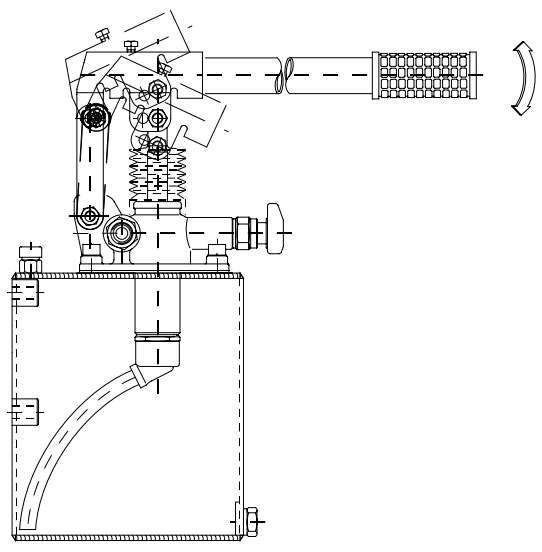
Part #	List Price \$	Description
0038.0001.00.00	27.00	Rubber boot - pump shafts
6800.0009	63.00	Pump handle
3000.0000.01.00	23.00	Gasket & bolt kit - PM pumps
3000.0001.00.00	42.00	Gasket & bolt kit - PMD pumps
3000.0005.00.00	59.00	Lowering valve (blue knob)
3000.0006.00.00	49.00	Relief valve
3000.0007.00.00	74.00	Unload valve (lever)
0036.0006.00.00	50.00	Tank breather



Hand Pump Tanks						
Part #	List Price \$	Size	A	B	C	D
6500.0140	186.00	1 L	120mm	150mm	100mm	120mm
6500.0141	197.00	2 L	185mm	150mm	100mm	120mm
6500.0142	216.00	3 L	255mm	150mm	100mm	120mm
6500.0143	259.00	5 L	200mm	175mm	175mm	195mm
6500.0144	309.00	7 L	275mm	175mm	175mm	195mm
6500.0145	363.00	10 L	380mm	175mm	175mm	195mm



Breather & suction tube on all tanks

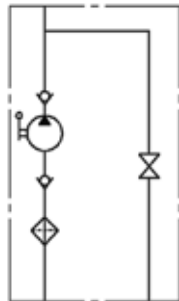


Hand Pump (Single Acting) with Relief - Remote Mount

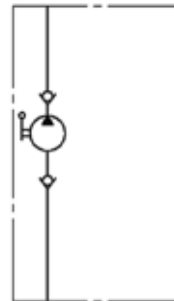
Remote mount dual action hand pump for single-acting cylinder, with pressure relief

	Part #	List Price \$	Size	Optimal Pressure	Maximum Pressure	Release Lever	Relief Valve
NEW	PRBC20/E-M-BP	340.00	20 cc	170 bar	350 bar	No	No
NEW	PRBC20/A-M-BP	370.00	20 cc	170 bar	350 bar	Yes	No

Handle included with every hand pump



with release valve



without release valve

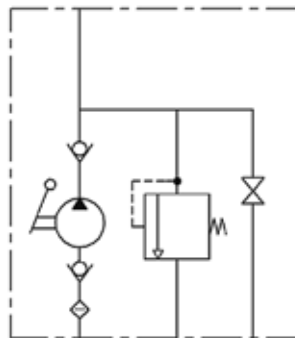
Badestnost
MADE IN EUROPE

Hand Pump (Single Acting) with Relief - Tank Mount

Dual action hand pump for single-acting cylinder, for fixing to tank. Pressure relief valve with relief release

	Part #	List Price \$	Size	Optimal Pressure	Maximum Pressure	Release	Relief Valve
NEW	PRB12/A-R-M-BP	400.00	12 cc	170 bar	380 bar	Yes	Yes
NEW	PRB25/A-R-M-BP	410.00	25 cc	130 bar	350 bar	Yes	Yes
NEW	PRB45/A-R-M-BP	420.00	45 cc	65 bar	280 bar	Yes	Yes

Handle included with every hand pump



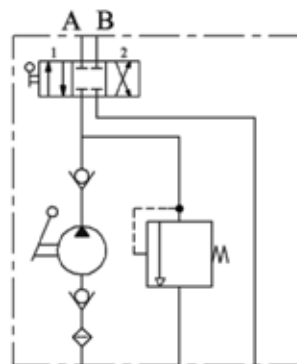
Badestnost
MADE IN EUROPE

Hand Pump (Double Acting) with Relief - Tank Mount

Dual action hand pump for double-acting cylinder, for fixing to tank. Pressure relief valve, 4/3 flow divider

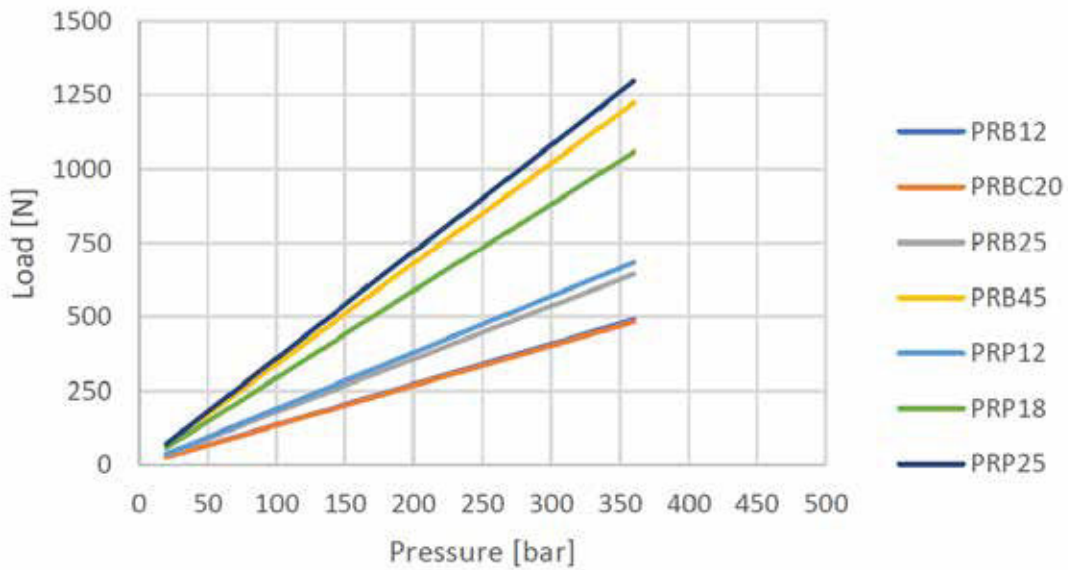
	Part #	List Price \$	Size	Optimal Pressure	Maximum Pressure	Release Lever	Relief Valve
NEW	PRBD12/E-R-M-BP	420.00	12 cc	170 bar	380 bar	No	Yes
NEW	PRBD25/E-R-M-BP	440.00	25 cc	130 bar	350 bar	No	Yes
NEW	PRBD45/E-R-M-BP	530.00	45 cc	65 bar	280 bar	No	Yes

Handle included with every hand pump



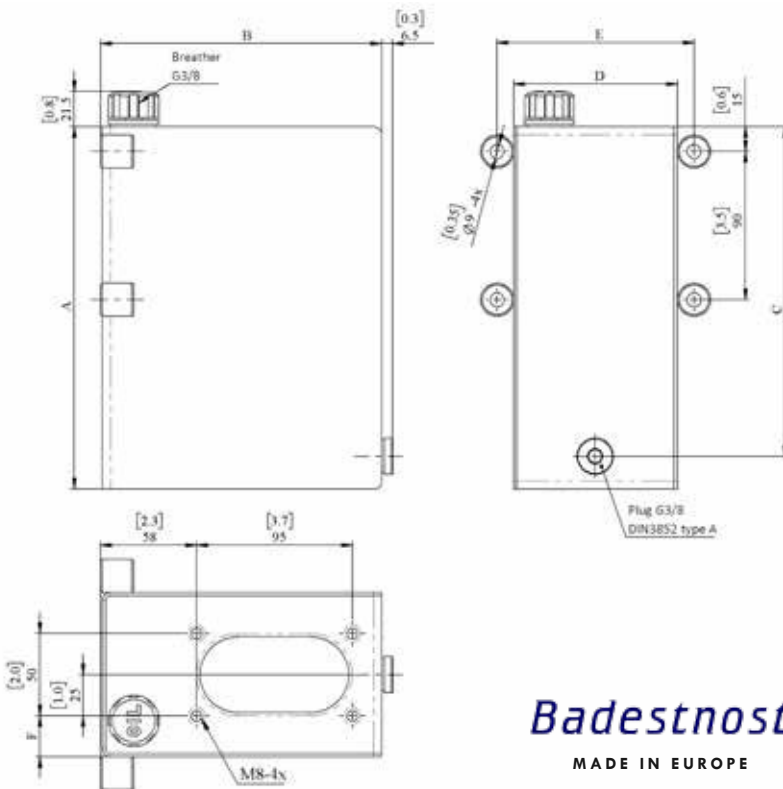
Badestnost
MADE IN EUROPE

Load effort for 550 mm handle



Tanks

	Part #	List Price \$	Size	A	B	C	D	E	F
NEW	RP1	130.00	1 L	120mm	171mm	100mm	100mm	120mm	25mm
NEW	RP2	160.00	2 L	170mm	171mm	150mm	100mm	120mm	25mm
NEW	RP3	170.00	3 L	200mm	171mm	180mm	100mm	120mm	25mm
NEW	RP5	200.00	5 L	220mm	176mm	200mm	175mm	195mm	62.5mm
NEW	RP7	220.00	7 L	290mm	176mm	270mm	175mm	195mm	62.5mm
NEW	RP10	270.00	10 L	380mm	176mm	360mm	175mm	195mm	62.5mm



Badestnost

MADE IN EUROPE