

CATFORD

Jamestown

SA 5491

ENGINEERING PRODUCTS

All Prices Excluding GST

Phone: 0418 641 566

www.catford.com.au sales@catford.com.au

Monoblock Valves

*MB2, MB3, MB4, MB5 & MB6 Monoblock

*Log Splitter Valves, Remote Control Accessories





Lot 25, Mannanarie Road, Jamestown, South Australia 5491

PO Box 178, Jamestown, South Australia 5491



0418 641 566



sales@catford.com.au

Due to fluctuations in the Australian dollar and the economic climate, please be advised that all prices are subject to change.
Please contact us to confirm pricing.

All prices stated within are exclusive of GST
(All prices are correct as of January 1st 2024, but Catford Engineering reserve the right to change these prices without notice)

Monoblock Valves

CATFORD Jamestown
SA 5491
ENGINEERING
PRODUCTS

Phone: 0418 641 566

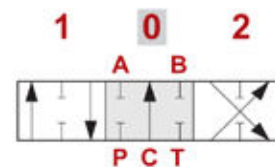
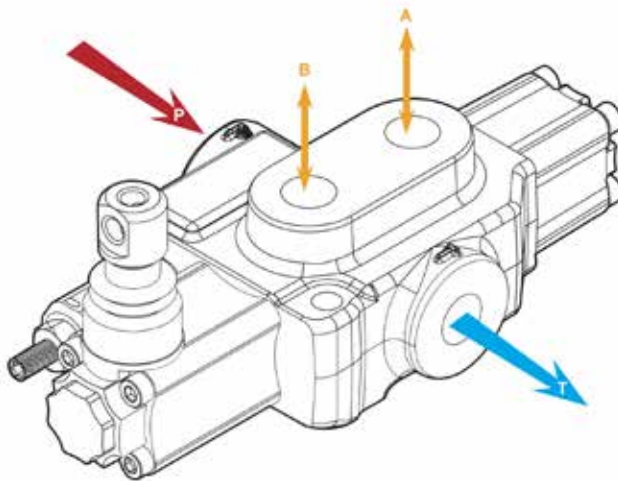
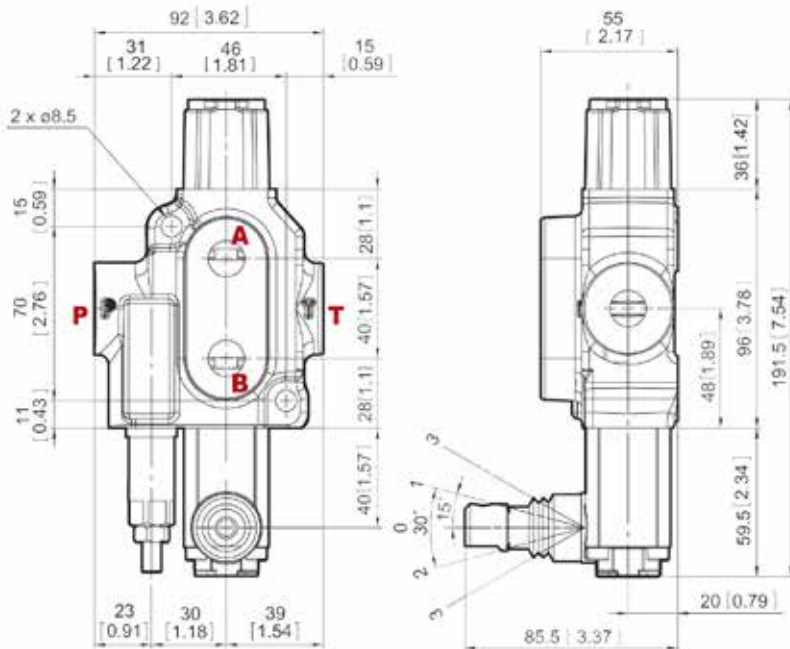
www.catford.com.au sales@catford.com.au

MONOBLOCK VALVES

YOULI MB2 (45 LPM)

MB2 Monoblock (no load hold check valve on P port, no high pressure carry over)

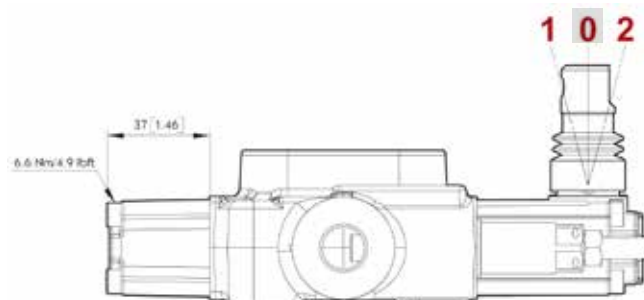
Part #	List Price \$	Spool	Quantity	Max Flow	Max Pressure		Ports
					P	T	
MB2/1S3/18L/G3-M3	285.00	Cylinder	1	45 lpm	250 bar	25 bar	3/8" BSPP
MB2/1S3/28L/G3-M3	285.00	Motor	1	45 lpm	250 bar	25 bar	3/8" BSPP



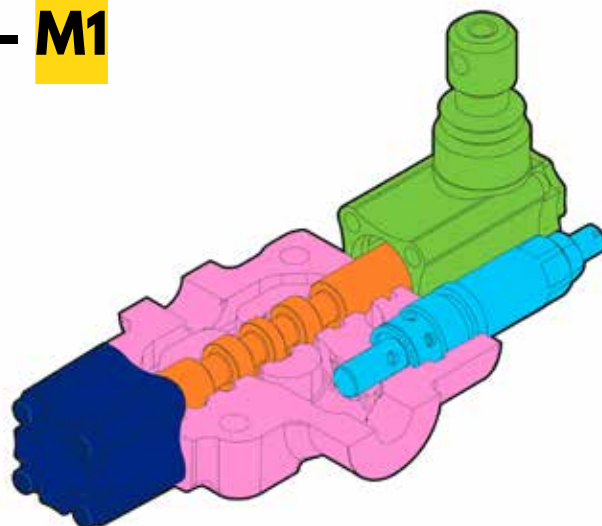
Handle direction vs. port configuration

MB2 - no power beyond

Relief valve standard range 63-200 bar



MB-2 / 1S - 3 / 28L / G-3 - M1



NOMENCLATURE GUIDE	
1S	No. of working sections
3	Inlet pressure relief valve
2	Spool option
8	B-side spool positioner
L	A-side option
G-3	3/8" BSP ports
M1	Outlet cover

BODY KITS	Code	Description	List Price \$
	1S	1 section	285.00

INLET PRESSURE RELIEF VALVE	Code	Part #	Description	List Price \$
	2	YLMB32002	40-80 bar direct pressure relief valve	93.00
	3	YLMB32003	63-200 bar direct pressure relief valve	93.00 STANDARD
	4	YLMB32004	160-315 bar direct pressure relief valve	93.00
SV	YLMB32100	Relief valve blanking plug	26.00	

SPOOL OPTIONS	Code	Part #	Description	List Price \$
	1	YLMB23001	Double acting, 3 positions, A+B closed in neutral position	81.00 STANDARD
	2	YLMB23002	Double acting, 3 positions, A+B open to tank in neutral position	81.00 STANDARD
	3	YLMB23003	Single acting on A closed in neutral position, 3 positions, B plugged	93.00
	4	YLMB23004	Single acting on B closed in neutral position, 3 positions, A plugged	93.00
1M	YLMB23001M	Double acting, 3 positions, A+B closed in neutral position, metering control	81.00	

B-SIDE SPOOL POSITIONER	Code	Part #	Description	List Price \$
	8	YLMB24008	With spring return to neutral position	34.00 STANDARD
	6-1	YLMB24061	Detent in position 1-0-2, without spring centered	61.00
	6-2	YLMB24062	2 positions, detent in position 0-2, without spring centered	70.00
	6-3	YLMB24063	2 positions, detent in position 1-0, without spring centered	70.00
	6-4	YLMB24082	MB2 2 position kit, spring centred from position 2	39.00
	6-5	YLMB24081	MB2 2 position kit, spring centred from position 1	39.00
	9-1	YLMB24091	Detent in position 1, 2 with spring centered	90.00
	9-2	YLMB24092	Detent in position 2 with spring centered	90.00
	9-3	YLMB24093	Detent in position 1 with spring centered	90.00
	8P	YLMB24080	ON/OFF pneumatic actuator	254.00
	8MG1	YLMB24801	Microswitch kit operated in position 1 (normally open)	205.00
	8MG2	YLMB24802	Microswitch kit operated in position 2 (normally open)	205.00
8MG3	YLMB24803	Microswitch kit operated in position 1 & 2 (normally open)	205.00	
8D2	YLMB24200	Spring return to neutral position and pin with M8 male thread for dual control	61.00	

A-SIDE OPTION	Code	Part #	Description	List Price \$
	L	YLMB45000	Standard lever box	57.00 STANDARD
TQ	YLMB45003	Flexible cable connection (also requires RCC-3 remote lever and cable - see p299)	70.00	

OUTLET COVER	Code	Description	List Price \$
	M1	Open centre	STANDARD -

MB3 Monoblock

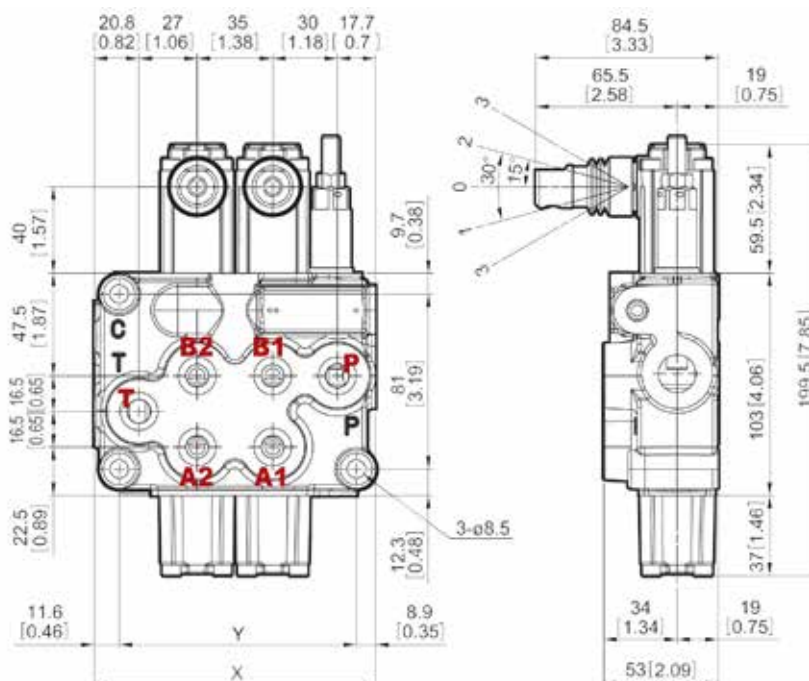
Part #	List Price \$	Spool	Qty	Max Flow (lpm)	Max Pressure (bar)		Ports (BSPP)		Dimension (mm)	
					P	T	A-B	P-T-C	X	Y
MB3/1S3/18L/G4-3-4-M3	341.00	Cylinder	1	45	315	24	3/8"	1/2"	93.5	73
MB3/1S3/28L/G4-3-4-M3	341.00	Motor	1	45	315	24	3/8"	1/2"	93.5	73
MB3/1S3/48L/G4-3-4-M3	354.00	Single Acting	1	45	315	24	3/8"	1/2"	93.5	73
MB3/2S3/18L/G4-3-4-M3	530.00	Cylinder	2	45	315	24	3/8"	1/2"	130.5	110
MB3/3S3/18L/G4-3-4-M3	572.00	Cylinder	3	45	315	24	3/8"	1/2"	165.5	147
MB3/4S3/18L/G4-3-4-M3	883.00	Cylinder	4	45	315	24	3/8"	1/2"	202.5	184
MB3/5S3/18L/G4-3-4-M3	1074.00	Cylinder	5	45	315	24	3/8"	1/2"	239.5	221
MB3/6S3/18L/G4-3-4-M3	1250.00	Cylinder	6	45	315	24	3/8"	1/2"	275.6	258

MB3 Monoblock with Float Spools

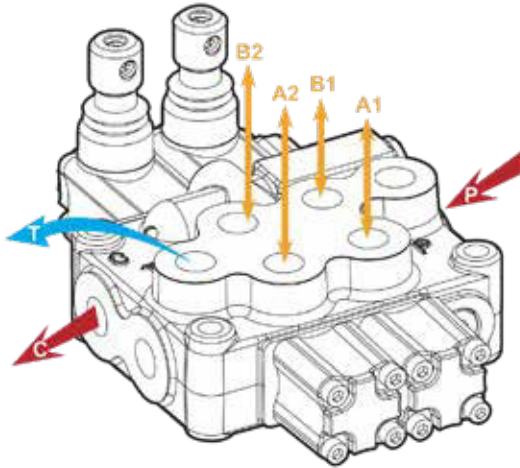
Part #	List Price \$	Spool	Qty	Max Flow (lpm)	Max Pressure (bar)		Ports (BSPP)		Dimension (mm)	
					P	T	P-T-C	A-B	X	Y
MB3/1S3/5PYL/G4-3-4-M3	525.00	Cylinder w/ Float	1	45	315	25	1/2"	3/8"	93.5	73
MB3/2S3/5PYL/G4-3-4-M3	891.00	Cylinder w/ Float	2	45	315	25	1/2"	3/8"	130.5	110
MB3/2S3/18L/5PYL/G4-3-4-M3	761.00	1x Cylinder, 1x Float	2	45	315	25	1/2"	3/8"	130.5	110
MB3/3S3/18L/18L/5PYL/G434	999.00	2x Cylinder, 1x Float	3	45	315	25	1/2"	3/8"	130.5	110
MB3/3S3/18L/5PYL/5PYL/G43	1128.00	1x Cylinder, 2x Float	3	45	315	25	1/2"	3/8"	130.5	110
MB3/4S3/18L/5PYL/G4-3-4-M3	1250.00	2x Cylinder, 2x Float	4	45	315	25	1/2"	3/8"	202.5	184

MB3 Accessories

Part #	List Price \$	Description
YLMB08160	20.00	MB3 manual lever M8 x 160mm
YLMB3SEAL	8.00	Spool seal kit (advise number of spools)
YLMB44080-SK	14.00	MB3 pneumatic actuator seal kit

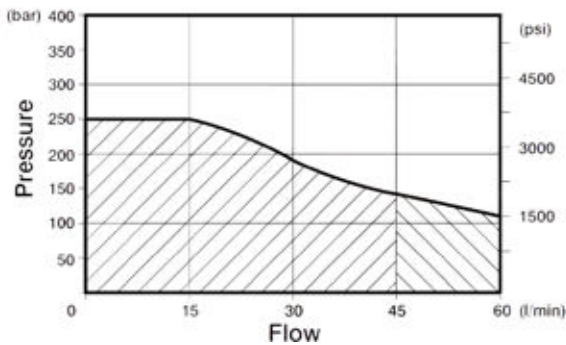


Relief valve standard range 63-200 bar



MB3 Electrical Options

Part #	List Price \$	Voltage	Function	Spool	Manual Lever	Nominal Pres.	Nominal Flow
YLMB34511	567.00	12v DC	D/A	Closed centre	-	250 bar	45 lpm
YLMB34521	567.00	12v DC	D/A	Open centre	-	250 bar	45 lpm
YLMB34512	567.00	24v DC	D/A	Closed centre	-	250 bar	45 lpm
YLMB34522	567.00	24v DC	D/A	Open centre	-	250 bar	45 lpm
YLMB34511L	721.00	12v DC	D/A	Closed centre	Yes	250 bar	45 lpm
YLMB34521L	721.00	12v DC	D/A	Open centre	Yes	250 bar	45 lpm
YLMB34512L	721.00	24v DC	D/A	Closed centre	Yes	250 bar	45 lpm
YLMB34522L	721.00	24v DC	D/A	Open centre	Yes	250 bar	45 lpm
YLMB8ES001	19.00			MB3 8ES Coil Retaining Nut			
YLMB8ES12D	196.00			MB3 8ES Coil 12v DC			
YLMB8ES24D	196.00			MB3 8ES Coil 24v DC			



Be sure to consult the above graph when selecting electrical operated valves



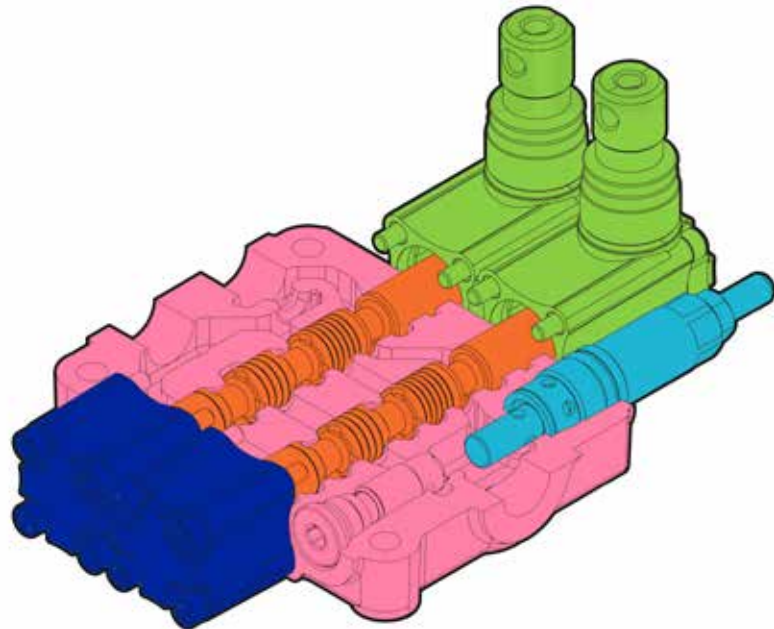
36w coils

MB-3 / 2S - 3 / 18L / 28L / G-4-3-4 - M3 -

NOMENCLATURE GUIDE

2S	No. of working sections
3	Inlet pressure relief valve
1	Spool option
8	B-side spool positioner
L	A-side option
G-3	3/8" BSP ports
G-4	1/2" BSP ports
M3	Outlet cover
12	Voltage (if applicable)

* Spool sequence starts from the spool closest to the relief valve.
 * Spool option B-side and A-side must be repeated for each spool section unless the configuration is common throughout the valve.



	Code	Description	List Price \$
BODY KITS	1S	1 section	341.00
	2S	2 section	530.00
	3S	3 section	572.00
	4S	4 section	883.00
	5S	5 section	1074.00
	6S	6 section	1250.00

	Code	Part #	Description	List Price \$
INLET PRESSURE RELIEF VALVE	2	YLMB32002	40-80 bar direct pressure relief valve	93.00
	3	YLMB32003	60-210 bar direct pressure relief valve	93.00 STANDARD
	4	YLMB32004	160-315 bar direct pressure relief valve	93.00
	SV	YLMB32100	Relief valve blanking plug	26.00

	Code	Part #	Description	List Price \$
SPOOL OPTIONS	1	YLMB33001	Double acting, 3 positions, A+B closed in neutral position	36.00 STANDARD
	2	YLMB33002	Double acting, 3 positions, A+B open to tank in neutral position	36.00
	3	YLMB33003	Single acting on A closed in neutral position, 3 positions, B plugged	36.00
	4	YLMB33004	Single acting on B closed in neutral position, 3 positions, A plugged	36.00
	5PY	Selected valves only	Double acting, 4 positions, floating circuit 4th position w/ A+B open to tank via lever	-
	1M	YLMB33001	Double acting, 3 positions, A+B closed in neutral position, metering control	36.00
	2M	YLMB33002	Double acting, 3 positions, A+B open to tank in neutral position, metering control	36.00

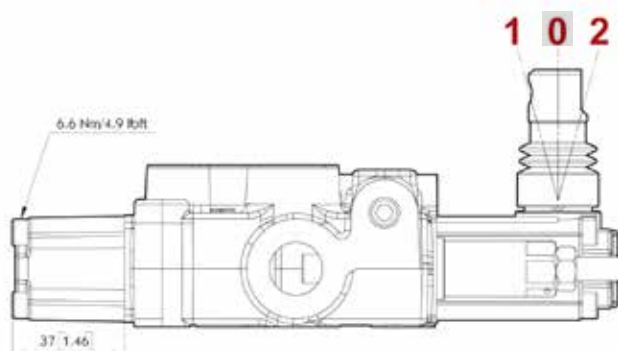
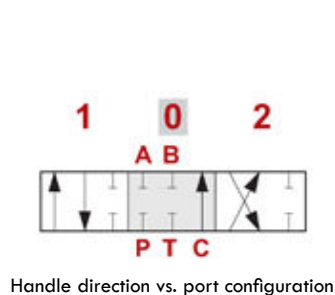
Note: refer to page 289 for float spool options & pricing

B-SIDE SPOOL POSITIONER	Code	Part #	Description	List Price \$
	6-1	YLMB44061	Detent in position 1-0-2, without spring centered	58.00
	6-2	YLMB44062	2 positions, detent in position 0-2, without spring centered	67.00
	6-3	YLMB44063	2 positions, detent in position 1-0, without spring centered	67.00
	8	YLMB44008	With spring return to neutral position	STANDARD 38.00
	8-1	YLMB44081	2 positions, with spring centered from position 1	37.00
	8-2	YLMB44082	2 positions, with spring centered from position 2	37.00
	9-1	YLMB44091	Detent in position 1, 2 with spring centered	85.00
	9-2	YLMB44092	Detent in position 2 with spring centered	86.00
	9-3	YLMB44093	Detent in position 1 with spring centered	86.00
	8D2	YLMB44200	Spring return to neutral position and pin with M8 male thread for dual control	58.00
	8MG1	YLMB44801	Microswitch kit operated in position 1 (normally open)	193.00
	8MG2	YLMB44802	Microswitch kit operated in position 2 (normally open)	193.00
	8MG3	YLMB44803	Microswitch kit operated in position 1 & 2 (normally open)	193.00
	9MG4	YLMB44805	5PYL float microswitch kit operated in position 1 & 2 (normally open)	210.00
	8P	YLMB44080	ON/OFF pneumatic actuator	239.00
8EP3	YLMB44300-12V YLMB44300-24V	ON/OFF electro-pneumatic actuator 12v DC / 24v DC	516.00	
8ES3	YLMB345**	** See electrical options on page 290 ON/OFF electro-hydraulic control without lever	567.00	
8ES3LES	YLMB345**L	ON/OFF electro-hydraulic control with lever	721.00	
8ESNA	YLMB8ESN1 2D	ON/OFF electro-hydraulic control with lever	545.00	
8ESNB	YLMB8ESN2 4D	ON/OFF electro-hydraulic control with lever	545.00	
8IM	YLMB440810	Hydraulic pilot kit - MB3/MB4 - pilot pressure maximum 50 bar	70.00	

A-SIDE OPTION	Code	Part #	Description	List Price \$
	L	YLMB45000	Standard lever box	STANDARD 57.00
	LCB	YLMB45002	Joystick lever for 2 section operation	261.00
TQ	YLMB45003	Flexible cable connection (also requires RCC-3 remote lever and cable - see p299)	70.00	

OUTLET COVER	Code	Part #	Description	List Price \$
	M3	-	Open centre	STANDARD -
M8	YLMB34COP	Closed centre (power beyond conversion plug)	4.00	

VOLTAGE	Code	Description	List Price \$
	12	12v DC coils	-
24	24v DC coils	-	



MONOBLOCK VALVES

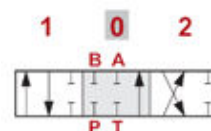
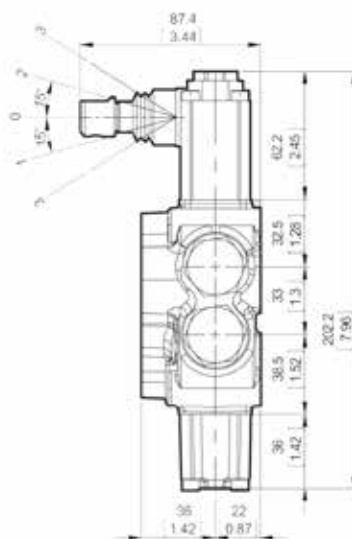
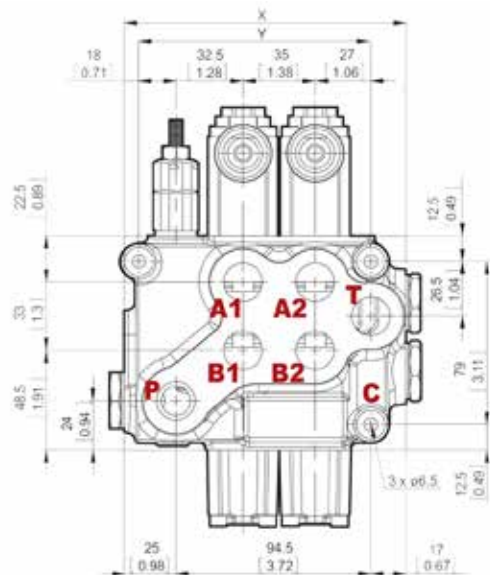
YOULI MB4 (60 LPM)

MB4 Monoblock

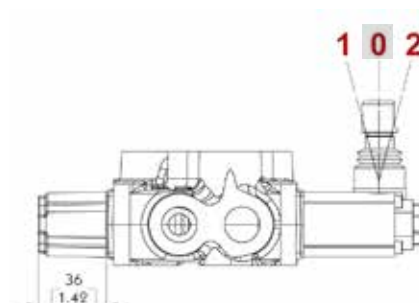
Part #	List Price \$	Spool	Qty	Max Flow (lpm)	Max Pressure (bar)		Ports (BSPP)	Dimension (mm)	
					P	T		X	Y
MB4/1S3/18L/G4-M3	392.00	Cylinder	1	60	315	25	1/2"	101.5	77.5
MB4/1S3/28L/G4-M3	392.00	Motor	1	60	315	25	1/2"	101.5	77.5
MB4/1S3/48L/G4-M3	403.00	Single Acting	1	60	315	25	1/2"	101.5	77.5
MB4/2S3/18L/G4-M3	619.00	Cylinder	2	60	315	25	1/2"	136.5	112.5
MB4/3S3/18L/G4-M3	845.00	Cylinder	3	60	315	25	1/2"	171.5	147.5
MB4/4S3/18L/G4-M3	1072.00	Cylinder	4	60	315	25	1/2"	206.5	182.5
MB4/5S3/18L/G4-M3	1297.00	Cylinder	5	60	315	25	1/2"	241.5	217.5
MB4/6S3/18L/G4-M3	1523.00	Cylinder	6	60	315	25	1/2"	276.5	252.5

MB4 Accessories

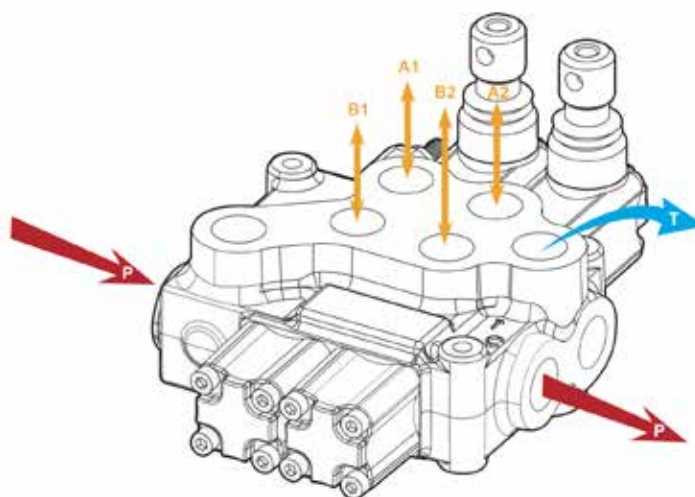
Part #	List Price \$	Description
YLMB08160	20.00	MB4 manual lever M10 x 200mm
YLMB4SEAL	8.00	Spool seal kit (advise number of spools)
YLMB44080-SK	14.00	MB4 pneumatic actuator seal kit



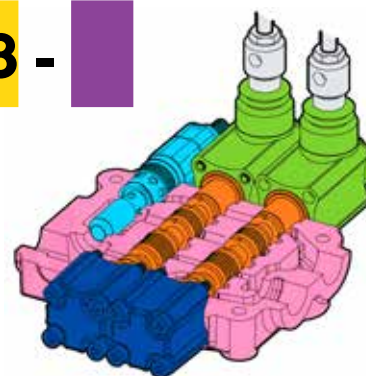
Handle direction vs. port configuration



Relief valve standard range 63-200 bar



MB-4 / 2S - 3 / 18L / 28L / G-4 - M3 -



NOMENCLATURE GUIDE

2S	No. of working sections	8	B-side spool positioner	M3	Outlet cover
3	Inlet pressure relief valve	L	A-side option	12	Voltage (if applicable)
1	Spool option	G-4	1/2" BSP ports		

* Spool sequence starts from the spool closest to the relief valve.
 * Spool option B-side and A-side must be repeated for each spool section unless the configuration is common throughout the valve.

BODY KITS	Code	Description	List Price \$
	1S	1 section	392.00
	2S	2 sections	619.00
	3S	3 sections	845.00
	4S	4 sections	1072.00
	5S	5 sections	1297.00
	6S	6 sections	1523.00

INLET PRESSURE RELIEF VALVE	Code	Part #	Description	List Price \$
	2	YLMB42002	40-80 bar direct pressure relief valve	113.00
	3	YLMB42003	63-200 bar direct pressure relief valve	STANDARD 113.00
	4	YLMB42004	160-315 bar direct pressure relief valve	113.00
	SV	YLMB42100	Relief valve blanking plug	24.00

SPOOL OPTIONS	Code	Part #	Description	List Price \$
	1	YLMB43001	Double acting, 3 positions, A+B closed in neutral position	STANDARD 36.00
	2	YLMB43002	Double acting, 3 positions, A+B open to tank in neutral position	36.00
	3	YLMB43003	Single acting on A closed in neutral position, 3 positions, B plugged	36.00
	4	YLMB43004	Single acting on B closed in neutral position, 3 positions, A plugged	36.00
	1M	YLMB43001M	Double acting, 3 positions, A+B closed in neutral position, metering control	110.00
	2M	YLMB43002M	Double acting, 3 positions, A+B open to tank in neutral position, metering control	110.00

B-SIDE SPOOL POSITIONER	Code	Part #	Description	List Price \$
	6-1	YLMB44061	Detent in position 1-0-2, without spring centered	58.00
	6-2	YLMB44062	2 positions, detent in position 0-2, without spring centered	67.00
	6-3	YLMB44063	2 positions, detent in position 1-0, without spring centered	67.00
	8	YLMB44008	With spring return to neutral position	STANDARD 38.00
	8-1	YLMB44081	2 positions, with spring centered from position 1	37.00
	8-2	YLMB44082	2 positions, with spring centered from position 2	37.00
	9-1	YLMB44091	Detent in position 1, 2 with spring centered	85.00
	9-2	YLMB44092	Detent in position 2 with spring centered	86.00
	9-3	YLMB44093	Detent in position 1 with spring centered	86.00
	8EP3	YLMB44300-12V	ON/OFF electro-pneumatic actuator 12v DC / 24v DC	516.00
		YLMB44300-24V		516.00
	8P	YLMB44080	ON/OFF pneumatic actuator	239.00
	8MG1	YLMB44801	Microswitch kit operated in position 1 (normally open)	193.00
	8MG2	YLMB44802	Microswitch kit operated in position 2 (normally open)	193.00
	8MG3	YLMB44803	Microswitch kit operated in position 1 & 2 (normally open)	193.00
8IM	YLMB440810	Hydraulic pilot kit - MB4- pilot pressure max 50 bar	70.00	

A-SIDE OPTION	Code	Part #	Description	List Price \$
	L	YLMB45000	Standard lever box	STANDARD 57.00
	LCB	YLMB45002	Joystick lever for 2 section operation	261.00
TQ	YLMB45003	Flexible cable connection (also requires RCC-3 remote lever and cable - see p299)	70.00	

OUTLET COVER	Code	Part #	Description	List Price \$
	M3	-	Open centre	STANDARD -
	M8	YLMB34COP	Closed centre (power beyond conversion plug)	4.00

VOLTAGE	Code	Description	List Price \$
	12	12v DC coils	-
	24	24v DC coils	-

MONOBLOCK VALVES

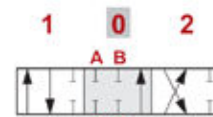
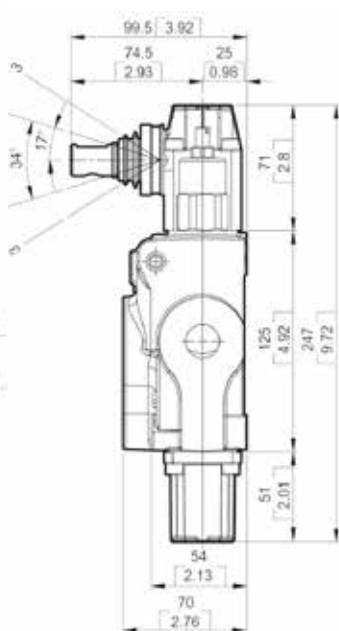
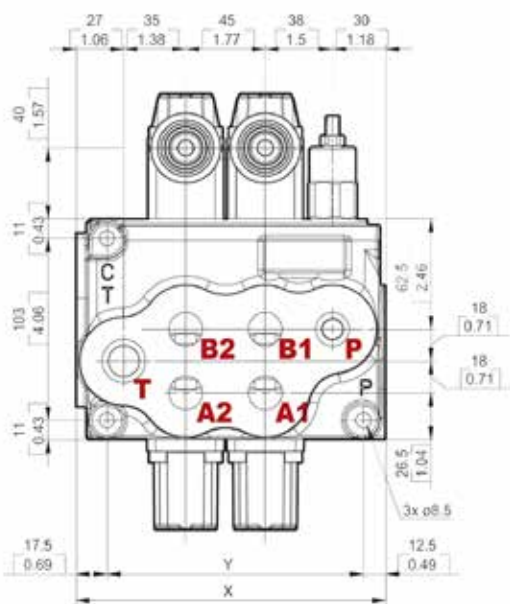
YOULI MB5 (80 LPM)

MB5 Monoblock

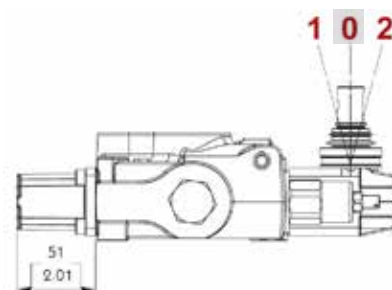
Part #	List Price \$	Spool	Qty	Max Flow (lpm)	Max Pressure (bar)		Ports (BSPP)		Dimension (mm)	
					P	T	P-T-C	A-B	X	Y
MB5/1S3/18L/G8-6-8-M3	578.00	Cylinder	1	80	315	25	1"	3/4"	130	100
MB5/1S3/28L/G8-6-8-M3	578.00	Motor	1	80	315	25	1"	3/4"	130	100
MB5/1S3/48L/G8-6-8-M3	591.00	Single Acting	1	80	315	25	1"	3/4"	130	100
MB5/2S3/18L/G8-6-8-M3	849.00	Cylinder	2	80	315	25	1"	3/4"	174.5	145
MB5/3S3/18L/G8-6-8-M3	1099.00	Cylinder	3	80	315	25	1"	3/4"	219.5	190
MB5/4S3/18L/G8-6-8-M3	1358.00	Cylinder	4	80	315	25	1"	3/4"	264.5	235
MB5/5S3/18L/G8-6-8-M3	1644.00	Cylinder	5	80	315	25	1"	3/4"	309.5	280
MB5/6S3/18L/G8-6-8-M3	1969.00	Cylinder	6	80	315	25	1"	3/4"	354.5	325

MB5 Accessories

Part #	List Price \$	Description
YLMB10200	37.00	MB5 manual lever M10 x 200mm
YLMB5SEAL	14.00	Spool seal kit (advise number of spools)
YLMB54080-SK	68.00	MB5 pneumatic actuator seal kit

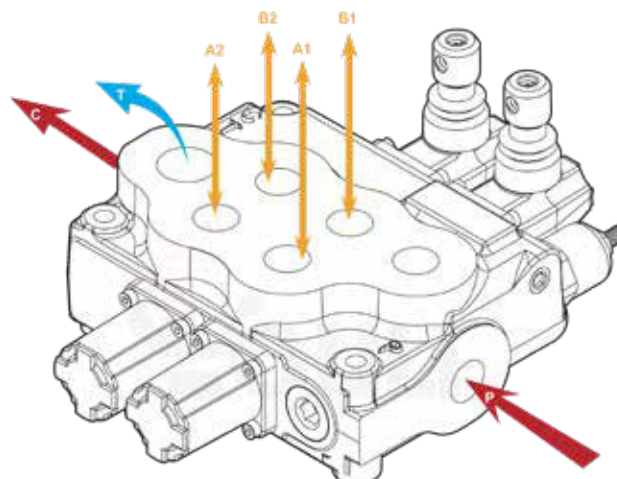


Handle direction vs. port configuration

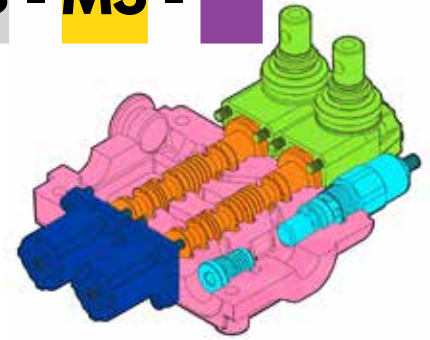


Power beyond plug not included

Relief valve standard range 125--250 bar



MB-5 / 2S - 3 / 18L / 28L / G-8-6-8 - M3 -



NOMENCLATURE GUIDE					
2S	No. of working sections	8	B-side spool positioner	G-6	3/4" BSP ports
3	Inlet pressure relief valve	L	A-side option	M3	Outlet cover
1	Spool option	G-8	1" BSP ports	12	Voltage (if applicable)

* Spool sequence starts from the spool closest to the relief valve.

* Spool option B-side and A-side must be repeated for each spool section unless the configuration is common throughout the valve.

BODY KITS	Code	Description	List Price \$
	1S	1 section	578.00
	2S	2 sections	849.00
	3S	3 sections	1099.00
	4S	4 sections	1358.00
	5S	5 sections	1644.00
	6S	6 sections	1969.00

INLET PRESSURE RELIEF VALVE	Code	Part #	Description	List Price \$
	XAG	YLX21000	25-315 bar pilot operated pressure relief valve	309.00
	2	YLMB52002	80-160 bar direct pressure relief valve	213.00
	3	YLMB52003	125-250 bar direct pressure relief valve	STANDARD 213.00
	4	YLMB52004	200-315 bar direct pressure relief valve	213.00
	SV	YLMB52100	Relief valve blanking plug	50.00

SPOOL OPTIONS	Code	Part #	Description	List Price \$
	1	YLMB53001	Double acting, 3 positions, A+B closed in neutral position	STANDARD 59.00
	2	YLMB53002	Double acting, 3 positions, A+B open to tank in neutral position	59.00
	3	YLMB53003	Single acting on A closed in neutral position, 3 positions, B plugged	59.00
	4	YLMB53004	Single acting on B closed in neutral position, 3 positions, A plugged	59.00
	1M	YLMB53001M	Double acting, 3 positions, A+B closed in neutral position, metering control	182.00
	2M	YLMB53002M	Double acting, 3 positions, A+B open to tank in neutral position, metering control	182.00

B-SIDE SPOOL POSITIONER	Code	Part #	Description	List Price \$
	6-1	YLMB54061	Detent in position 1-0-2, without spring centered	103.00
	6-2	YLMB54062	2 positions, detent in position 0-2, without spring centered	103.00
	8	YLMB54008	With spring return to neutral position	STANDARD 51.00
	8-1	YLMB54810	2 positions, with spring centered from position 1	56.00
	8-2	YLMB54820	2 positions, with spring centered from position 2	56.00
	9-1	YLMB54091	Detent in position 1, 2 with spring centered	225.00
	9-2	YLMB54092	Detent in position 2 with spring centered	225.00
	9-3	YLMB54093	Detent in position 1 with spring centered	225.00
	8EP3	YLMB54300-12V	ON/OFF electro-pneumatic actuator 12v DC / 24v DC	602.00
		YLMB54300-24V		602.00
	8P	YLMB54080	ON/OFF pneumatic actuator	308.00
	8MG1	YLMB54801	Microswitch kit operated in position 1 (normally open)	254.00
	8MG2	YLMB54802	Microswitch kit operated in position 2 (normally open)	254.00
	8MG3	YLMB54803	Microswitch kit operated in position 1 & 2 (normally open)	254.00
8IM	YLMB540810	Hydraulic pilot kit - MB5- 8IM type	156.00	

A-SIDE OPTION	Code	Part #	Description	List Price \$
	L	YLMB55000	Standard lever box	STANDARD 72.00
	LCB	YLMB55002	Joystick lever for 2 section operation	250.00
	TQ	YLMB55003	Flexible cable connection (also requires RCC-3 remote lever and cable - see p299)	119.00

OUTLET COVER	Code	Part #	Description	List Price \$
	M3	-	Open centre	STANDARD -
	M8	YLMB5COPG6	Closed centre (power beyond conversion plug) 3/4" BSPP	37.00
	M8	YLMB5COPG8	Closed centre (power beyond conversion plug) 1" BSPP	70.00

VOLTAGE	Code	Description	List Price \$
	12	12v DC coils	-
	24	24v DC coils	-

MONOBLOCK VALVES

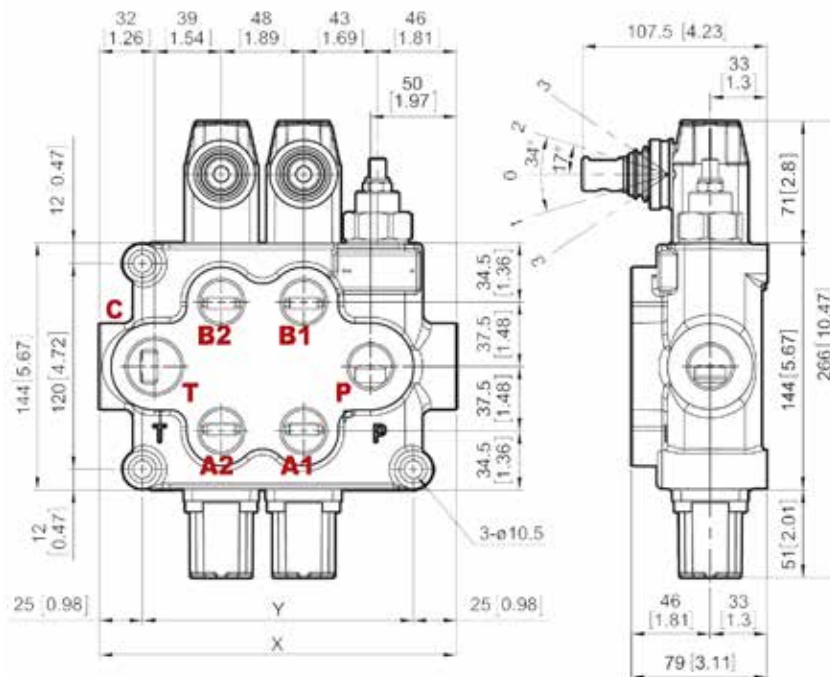
YOULI MB6 (120 LPM)

MB6 Monoblock

Part #	List Price \$	Spool	Qty	Max Flow (lpm)	Max Pressure (bar)		Ports (BSPP)		Dimension (mm)	
					P	T	P-T-C	A-B	X	Y
MB6/1S3/18L/G8-6-8-M3	852.00	Cylinder	1	120	315	25	1"	3/4"	160	110
MB6/1S3/28L/G8-6-8-M3	852.00	Motor	1	120	315	25	1"	3/4"	160	110
MB6/1S3/48L/G8-6-8-M3	852.00	Single Acting	1	120	315	25	1"	3/4"	160	110
MB6/2S3/18L/G8-6-8-M3	1251.00	Cylinder	2	120	315	25	1"	3/4"	208	158
MB6/3S3/18L/G8-6-8-M3	1650.00	Cylinder	3	120	315	25	1"	3/4"	256	206
MB6/4S3/18L/G8-6-8-M3	2050.00	Cylinder	4	120	315	25	1"	3/4"	304	254

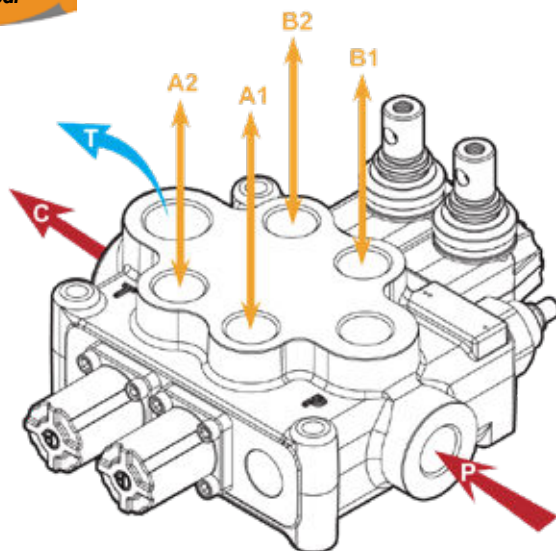
MB6 Accessories

Part #	List Price \$	Description
YLMB64080-SK	74.00	MB6 pneumatic actuator seal kit

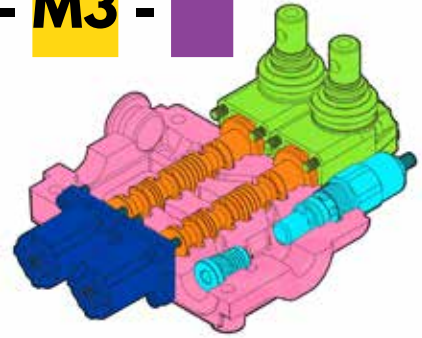


Power beyond plug not included

Relief valve standard range 125--250 bar



MB-6 / 2S - 3 / 18L / 28L / G-8-6-8 - M3 -



NOMENCLATURE GUIDE

2S	No. of working sections	8	B-side spool positioner	G-6	3/4" BSP ports
3	Inlet pressure relief valve	L	A-side option	M3	Outlet cover
1	Spool option	G-8	1" BSP ports	12	Voltage (if applicable)

* Spool sequence starts from the spool closest to the relief valve.
 * Spool option B-side and A-side must be repeated for each spool section unless the configuration is common throughout the valve

BODY KITS	Code	Description	List Price \$
	1S	1 section	852.00
	2S	2 sections	1251.00
	3S	3 sections	1650.00
	4S	4 sections	2050.00

INLET PRESSURE RELIEF VALVE	Code	Part #	Description	List Price \$
	XFG	YLPSN63000	25-315 bar pilot operated pressure relief valve	317.00
	SV	YLPSN64000	Relief valve blanking plug	49.00
	3	YLMB62003	125-250 bar direct pressure relief valve STANDARD	213.00

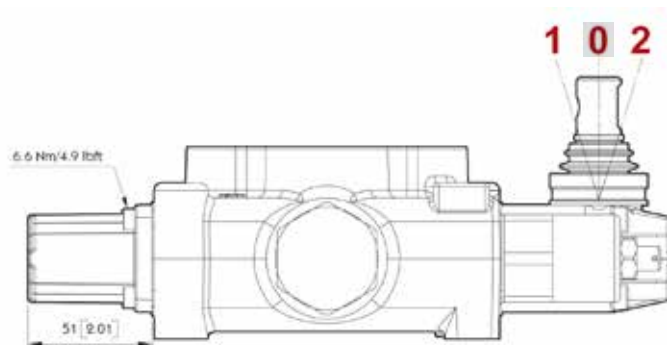
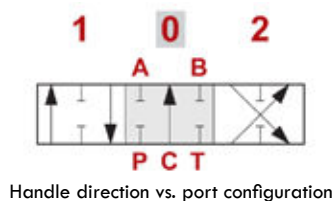
SPOOL OPTIONS	Code	Part #	Description	List Price \$
	1	YLMB63001	Double acting, 3 positions, A+B closed in neutral position STANDARD	95.00
	2	YLMB63002	Double acting, 3 positions, A+B open to tank in neutral position	95.00
	3	YLMB63003	Single acting on A closed in neutral position, 3 positions, B plugged	95.00
	4	YLMB63004	Single acting on B closed in neutral position, 3 positions, A plugged	95.00

B-SIDE SPOOL POSITIONER	Code	Part #	Description	List Price \$
	6-1	YLMB64061	Detent in position 1-0-2, without spring centered	98.00
	8	YLMB64008	With spring return to neutral position STANDARD	86.00
	9-2	YLMB64092	Detent in position 2 with spring centered	238.00
	9-3	YLMB64093	Detent in position 1 with spring centered	238.00
	8P	YLMB64080	ON/OFF pneumatic actuator	290.00
	8EP3	YLMB64300-12V YLMB64300-24V	ON/OFF electro-pneumatic actuator 12v DC / 24v DC	637.00 637.00

A-SIDE	Code	Part #	Description	List Price \$
	L	YLMB65000	Standard lever box STANDARD	74.90

OUTLET COVER	Code	Part #	Description	List Price \$
	M3	-	Open centre STANDARD	-
	M8	YLMB6COP8	Closed centre (power beyond conversion plug) 3/4" BSPP	70.00

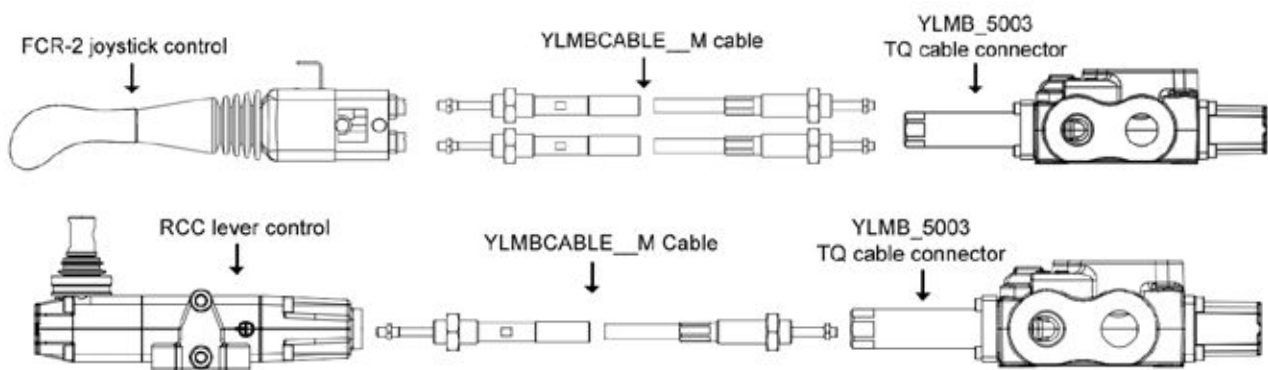
VOLTAGE	Code	Description	List Price \$
	12	12v DC coils	-
	24	24v DC coils	-



Cable Control

Part #	List Price \$	Description
RCC-3/1S/HL	271.00	Remote lever for cable control MB2,3,4 (requires 1 x TQ cable connector & 1 x cable)
RCC-5/1S/HL	310.00	Remote lever for cable control MB5 (requires 1 x TQ cable connector & 1 x cable)
FCR-2	476.00	Joystick for cable control, dual axis (requires 2 x TQ cable connector & 2 x cable)
YLMB45003	70.00	TQ cable connector, spool to joystick cable, MB2,3,4
YLMB55003	119.00	TQ cable connector, spool to joystick cable, MB5
YLMBCABLE1M	221.00	Cable 1 metre
YLMBCABLE1.5M	227.00	Cable 1.5 metre
YLMBCABLE2M	240.00	Cable 2 metre
YLMBCABLE2.5M	255.00	Cable 2.5 metre
YLMBCABLE3M	268.00	Cable 3 metre

RCC lever controllers can be bolted together when used on multiple spools



Hydraulic Pilot Controllers

Part #	List Price \$	Description	Axis	Flow	Inlet Pressure Range	A+B Outlet Pressure Range	Max Back Pressure
JHP-1/1S-G2/8-A01B	492.00	Spring centre	Single	5-20 lpm	30-100 bar	5-19 bar	3 bar
JHP-1/1S-G2/9-1-A01B	584.00	Spring centre friction detent in pos.1+2	Single	5-20 lpm	30-100 bar	5-19 bar	3 bar
JHP-1/1S-G2/FD-A01B	576.00	Friction detent	Single	5-20 lpm	30-100 bar	5-19 bar	3 bar
JHP-1/1S-G2/LES-A01B	616.00	Safety lever detent in neutral	Single	5-20 lpm	30-100 bar	5-19 bar	3 bar
JHP-2/01-G2/01-LCB-B02B	1145.00	Spring centre	Dual	5-20 lpm	30-100 bar	6-25 bar	3 bar
NEW PHP-1/02-G2/8-A05B	1412.00	Spring centre	Single	5-20 lpm	30-100 bar	2-20.5 bar	3 bar
NEW PHP-1/02-G2/8-A02B	1412.00	Spring centre	Single	5-20 lpm	30-100 bar	6-25 bar	3 bar

All hydraulic pilot controllers are suitable for use with sectional, proportional and monoblock valves.
JHP pilot controllers can be bolted together when used on multiple spools.

Direct Mount Joystick

Part #	List Price \$	Description
YLMB45002	261.00	Dual axis direct mount joystick, MB3/MB4
YLMB55002	250.00	Dual axis direct mount joystick, MB5



P70LS 4-Way Directional Metering Valve w/ Pressure Compensated Flow Control

Model	P70LS
Max Flow	70 LPM
Max Nominal Pressure on P	210 bar
Max Pressure on T	25 bar
Relief Valve Range	120-210 bar
Relief Preset Range	180 bar
Port Size P-T	3/4" BSPP
Port Size A-B	1/2" BSPP

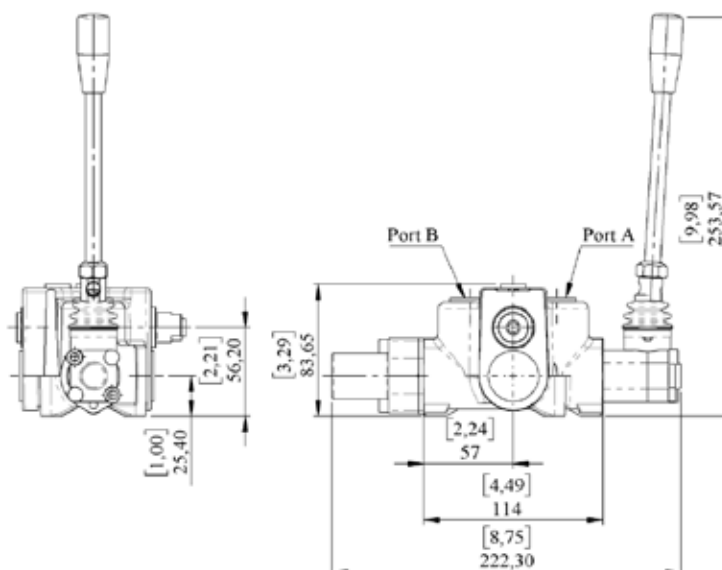
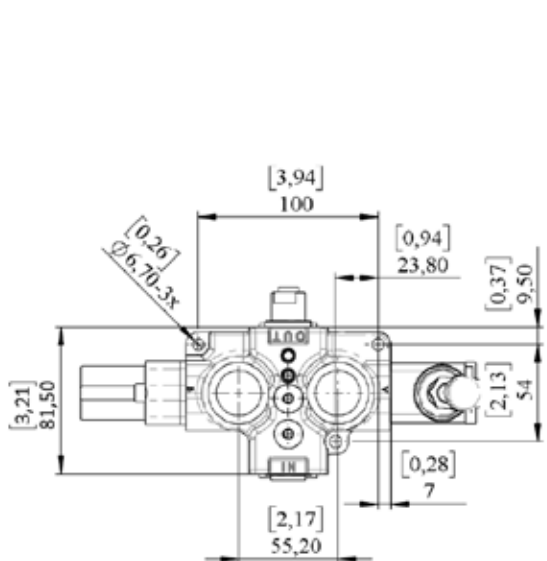
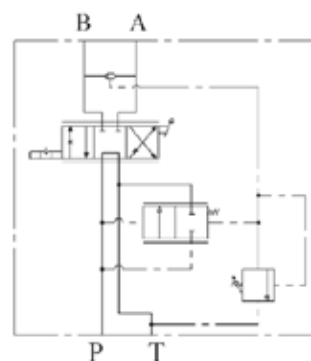
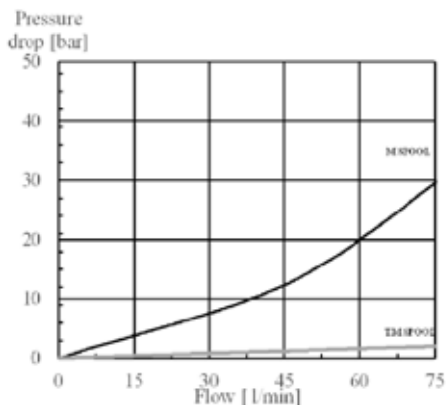


P70LS 4-Way Directional Metering Valve w/ Pressure Compensated Flow Control

	Part #	List Price \$	No. of Handles	Flow Range	Spool Type	Lever Positioning	Check Valve
NEW	P70LS-34-TM6-G-F1	660.00	1	0-22 LPM	Tandem metering	Friction detent	No
NEW	P70LS-34-TM12-G-F1	660.00	1	0-45 LPM	Tandem metering	Friction detent	No
NEW	P70LS-34-TM18-G-F1	660.00	1	0-68 LPM	Tandem metering	Friction detent	No
NEW	P70LS-34-OM6-G-F1	660.00	1	0-22 LPM	Open metering	Friction detent	No
NEW	P70LS-34-OM12-G-F1	660.00	1	0-45 LPM	Open metering	Friction detent	No
NEW	P70LS-34-OM18-G-F1	660.00	1	0-68 LPM	Open metering	Friction detent	No

Badestnost

MADE IN EUROPE



MONOBLOCK VALVES

BADESTNOST P35 (35 LPM)

P35 - Monoblock Valve

Model	P35
Max Flow	35 LPM
Max Nominal Pressure on P	250 bar
Max Nominal Pressure on A+B	300 bar
Max Pressure on T	50 bar
Relief Valve Range	80-220 bar
Relief Preset Range	180 bar
Port Size P-T-N	3/8" BSPP
Port Size A-B	3/8" BSPP



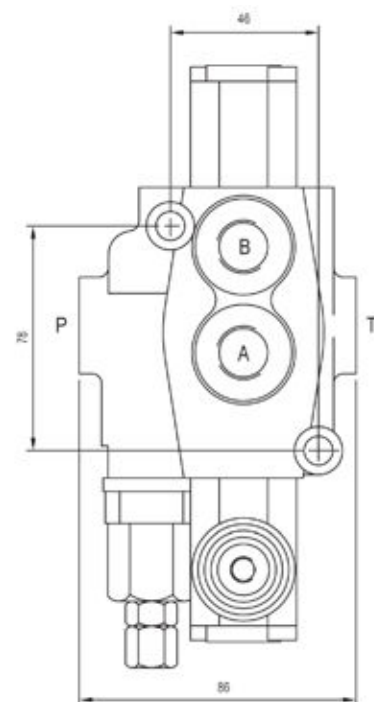
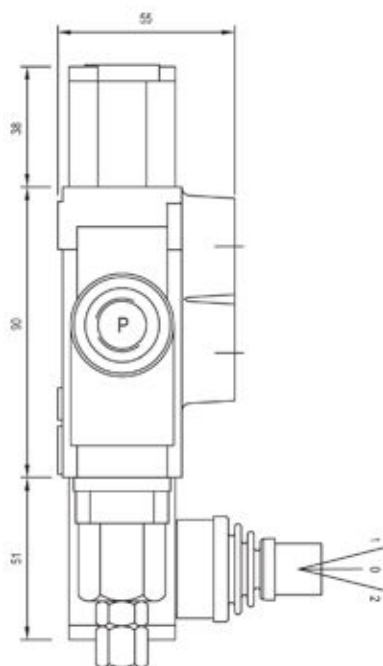
P35 - Monoblock Valve

	Part #	List Price \$	No. of Handles	Spool Type	Lever Positioning	Check Valve
NEW	P35-A1-GKZ1	230.00	1	Cylinder spool	Spring return to neutral position	Common
NEW	P35-B1-GKZ1	230.00	1	Single acting	Spring return to neutral position	Common
NEW	P35-C1-GKZ1	230.00	1	Single acting	Spring return to neutral position	Common
NEW	P35-D1-GKZ1	230.00	1	Motor spool	Spring return to neutral position	Common

Badestnost

MADE IN EUROPE

1	0	2
PUSH	CENTRE	PULL
P-B PORT		P-A PORT



P35 - Accessories & Spares

	Part #	List Price \$	Description
NEW	4093131	50.00	P35 lever
NEW	4110574	60.00	P35 lever box
NEW	4093221	70.00	P35 lever box kit
NEW	4106939	40.00	P35 seal kit (1 spool)

ORDER CODES							
P35	-	A	1	-	G	KZ1	EA
Series		Spool	Spool Control		Port Size	Lever Position	Control
		1	2		3/8" BSPP		3

1 Spool Options	Code	Part #	Description	List Price \$
	A	4104142	Cylinder spool (P-T-A-B closed)	50.00
	B	4104181	Single acting (P-A pull, A-T push)	50.00
	C	4104180	Single acting (P-B push, B-T pull)	50.00
	D	4104182	Motor spool (P closed, A-B-T open)	50.00

2 Spool Control Options	Code	Part #	Description	List Price \$
	1	4097181	With spring return to neutral position	50.00
	2	4097182	Detent in position 1, 2 with spring return	70.00
	3	4097185	Detent in position 2, 1 with spring return	70.00
	4	4126654	2 Position 0-2 with spring return	50.00
	5	4126655	2 Position 1-0 with spring return	50.00
	6	4101880	2 Position 1-2 spring return to position 1	50.00
	7	4104881	2 Position 2-1 spring return to position 2	50.00
	8	4093877	Detent in 1-0-2 without spring centering	70.00
	9	4126656	Detent in 1-0 without spring centering	70.00
	10	4126657	Detent in 0-2 without spring centering	70.00
	11	4122818	Detent in 1-2 without spring centering	70.00

1	0	2
PUSH	CENTRE	PULL
P-B PORT		P-A PORT

3 Control Options	Code	Part #	Description	List Price \$
	EC	4126653	Microswitch bracket operated in position 1 *	50.00
	EB	4126652	Microswitch bracket operated in position 2 *	50.00
	EA	4124500	Microswitch bracket operated in position 1+2 *	50.00
	no code	4116329	Microswitch only (to be ordered individually)	60.00

* switch not included

MONOBLOCK VALVES

BADESTNOST Z50 (40 LPM)

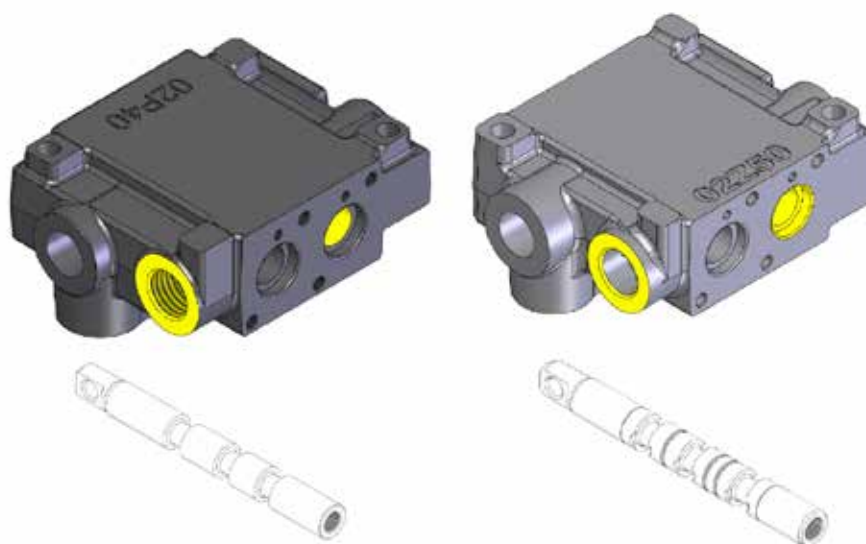
Z50 - Monoblock Valve

Model	Z50
Max Flow	40 LPM
Max Nominal Pressure on P	250 bar
Max Nominal Pressure on A+B	300 bar
Max Pressure on T	50 bar
Relief Valve Range	160-315 bar
Relief Preset Range	220 bar
Port Size P-T-N	1/2" BSPP
Port Size A-B	3/8" BSPP



Note: all valves are now ordered standard with **left hand inlet**.

The 40L valve group is being upgraded from **P40** to **Z50** to improve the working parameters. The new valve bodies will be marked **Z50** instead of the old **P40**. The new body has additional machining of the spool bore for higher precision and higher nominal flow rate.



Z50 - Monoblock Valve

	Part #	List Price \$	No. of Handles	Spool Type	Lever Positioning	Check Valve
NEW	Z50-1-A1-GKZ1	240.00	1	Cylinder spool	Spring return to neutral	Common
NEW	Z50-1-B1-GKZ1	240.00	1	Single acting (P-A pull) (A-T push)	Spring return to neutral	Common
NEW	Z50-1-C1-GKZ1	240.00	1	Single acting (P-B push) (B-T pull)	Spring return to neutral	Common
NEW	Z50-1-D1-GKZ1	240.00	1	Motor spool	Spring return to neutral	Common
NEW	02Z50-1-A1-GKZ1	360.00	2	Cylinder spool	Spring return to neutral	Common
NEW	02Z50-1-D1-GKZ1	360.00	2	Motor spool	Spring return to neutral	Common
NEW	03Z50-1-A1-GKZ1	490.00	3	Cylinder spool	Spring return to neutral	Common
NEW	04Z50-1-A1-GKZ1	630.00	4	Cylinder spool	Spring return to neutral	Common
NEW	05Z50-1-A1-GKZ1	770.00	5	Cylinder spool	Spring return to neutral	Common
NEW	06Z50-1-A1-GKZ1	900.00	6	Cylinder spool	Spring return to neutral	Common
NEW	07Z50-1-A1-GKZ1	1050.00	7	Cylinder spool	Spring return to neutral	Common

Badestnost

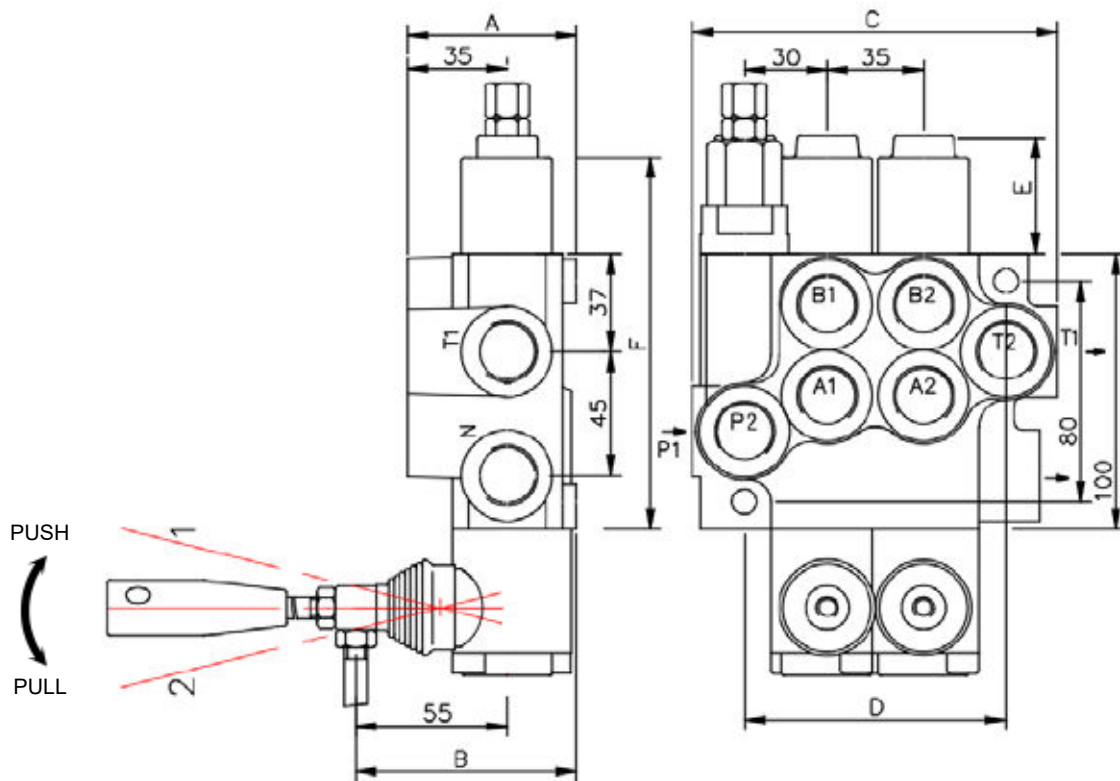
MADE IN EUROPE

Z50 - Monoblock w/ Float

Part #	List Price \$	No. of Handles	Spool Type	Lever Positioning	Check Valve
NEW Z50-1-K16-GKZ1	400.00	1	Float spool	Spring return detent on float	Common
NEW 02Z50-1-K16-GKZ1	680.00	2	Float spool	Spring return detent on float	Common
NEW 02Z50-1-A1-K16-GKZ1	520.00	2	Cylinder	Float spool	Both spring return detent on float
NEW 02Z50-1-K16-A1-GKZ1	520.00	2	Float spool	Cylinder	Both spring return detent on float

Z50 - Accessories & Spares

Part #	List Price \$	Description
NEW 4118501	310.00	Z50 joystick
NEW 4093131	50.00	Z50 lever
NEW 4093217	60.00	Z50 lever box
NEW 4093213	70.00	Z50 lever box kit
NEW 1000169	10.00	PVC boot for lever box
NEW 4110375	20.00	Pneumatic control seal kit
NEW 4093101	40.00	Z50 seal kit (1 spool)



Z50 Valve Dimensions

No. of Spools	A (mm)	B (mm)	C (mm)	D (mm)
1	60	80	85	60
2	60	80	129	97
3	60	80	164	132
4	60	80	199	167
5	60	80	234	202
6	60	80	269	237
7	60	80	304	272

ORDER CODES													
0	3	Z50	-		1	-	A	2	P	-	G	KZ1	C2
Common Check Valve	No. of Spools	Series		Relief	Parallel Distribution		Spool Option	Spool Control	Control Option		Port Size	Lever Position	Outlet
	1			2			3	4	5		P,T,N 1/2" BSPP A,B 3/8" BSPP		6

- All valves are now ordered standard with **left hand inlet**.
- 0 value at start of part number not required on single spool valves.
- Spool sequence starts from the spool closest to the relief valve.
- Spool option, spool control and control option must be repeated for each spool section - unless the configuration is common through the valve.

Example of valve with common spools: **03Z50-1-A8-GKZ1C2**

Example of Valve with variant configurations: **05Z50-1-A1P-A1P-A1P-C1-D4-GKZ1**

1 No. of Spools	Code	Description	Code	Description
	1	1 spool section	5	5 spool sections
	2	2 spool sections	6	6 spool sections
	3	3 spool sections	7	7 spool sections
	4	4 spool sections		

2 Relief Valve	Code	Part #	Description	List Price \$
	no code	4125846	Standard relief valve 160-315 bar	120.00
	SVP	4125633	Relief blanking plug	60.00

3 Spool Options	Code	Part #	Description	List Price \$
	A	4122810	Cylinder spool (P-T-A-B closed)	50.00
	B	4107641	Single acting (P-A pull) (A-T push)	50.00
	C	4125827	Single acting (P-B push) (B-T pull)	50.000
	D	4123440	Motor spool (P closed, A-B-T open)	50.00
	K	4107740	Float spool (interchangeable with standard monoblock)	80.00

4 Spool Control Options	Code	Part #	Description	List Price \$
	1	4093162	With spring return to neutral position	50.00
	2	4093172	Detent in position 1, 2 with spring return	70.00
	3	4093173	Detent in position 2, 1 with spring return	70.00
	4	4093174	2 Position 0-2 with spring return	50.00
	5	4093175	2 Position 1-0 with spring return	50.00
	6	4093176	2 Position 1-2 spring return to position 1	50.00
	7	4093159	2 Position 2-1 spring return to position 2	50.00
	8	4093160	Detent in 1-0-2 without spring centering	70.00
	9	4093161	Detent in 1-0 without spring centering	70.00
	10	4093163	Detent in 0-2 without spring centering	70.00
	11	4093165	Detent in 1-2 without spring centering	70.00
	16	4107739	Float controller 1-0-2 spring return position 3 detent	80.00

5
Control
Options

Code	Part #	Description	List Price \$
no code		Standard without additional control	-
P	4103491	On/off pneumatic control 5 bar ports NPTF 1/8"-27	240.00
	4124693	Electro-pneumatic valve to suit 4103491 12v (order x2 separately)	300.00
	4124692	Electro-pneumatic valve to suit 4103491 24v (order x2 separately)	300.00
H	4093702	On/off hydraulic control 5-20 bar ports G1/4"	200.00
EC	4111919	Microswitch bracket operated in position 1 *	50.00
EB	4111920	Microswitch bracket operated in position 2 *	50.00
EA	4107917	Microswitch bracket operated in position 1+2 *	50.00
EF	4126347	Microswitch bracket for float spool	60.00
	4116329	Microswitch only (ordered separately)	60.00

* switch not included

6
Outlet

Code	Part #	Description	List Price \$
C	4093148	Closed centre	20.00
C2	4093146	Power beyond carry over G1/2" M22x1.5	30.00
C2D	4112499	Power beyond carry over (direct connection plug)	120.00
no code		Without high pressure carry over	-



MONOBLOCK VALVES

BADESTNOST Z80 (80 LPM)

Z80 - Monoblock Valve

Model	Z80
Max Flow	80 LPM
Max Nominal Pressure on P	250 bar
Max Nominal Pressure on A+B	300 bar
Max Pressure on T	50 bar
Relief Valve Range	160-315 bar
Relief Preset Range	220 bar
Port Size P-T-N	3/4" BSPP
Port Size A-B	1/2" BSPP



Note: all valves are now ordered standard with **left hand inlet**.

The 80L valve group is being upgraded from **P80** to **Z80** to improve the working parameters. The new valve bodies will be marked **Z80** instead of the old **P80**. The new body has additional machining of the spool bore for higher precision.

Z80 - Monoblock Valve

	Part #	List Price \$	No. of Handles	Spool Type	Lever Positioning	Check Valve
NEW	Z80-1-A1-GKZ1	380.00	1	Cylinder spool	Spring return to neutral	Individual
NEW	Z80-1-B1-GKZ1	380.00	1	Single acting (P-A pull) (A-T push)	Spring return to neutral	Individual
NEW	Z80-1-C1-GKZ1	380.00	1	Single acting (P-B push) (B-T pull)	Spring return to neutral	Individual
NEW	Z80-1-D1-GKZ1	380.00	1	Motor spool	Spring return to neutral	Individual
NEW	2Z80-1-A1-GKZ1	550.00	2	Cylinder spool	Spring return to neutral	Individual
NEW	2Z80-1-D1-GKZ1	550.00	2	Motor spool	Spring return to neutral	Individual
NEW	3Z80-1-A1-GKZ1	760.00	3	Cylinder spool	Spring return to neutral	Individual
NEW	4Z80-1-A1-GKZ1	940.00	4	Cylinder spool	Spring return to neutral	Individual
NEW	5Z80-1-A1-GKZ1	1140.00	5	Cylinder spool	Spring return to neutral	Individual
NEW	6Z80-1-A1-GKZ1	1380.00	6	Cylinder spool	Spring return to neutral	Individual

Z80 - Monoblock Valve w/ Float

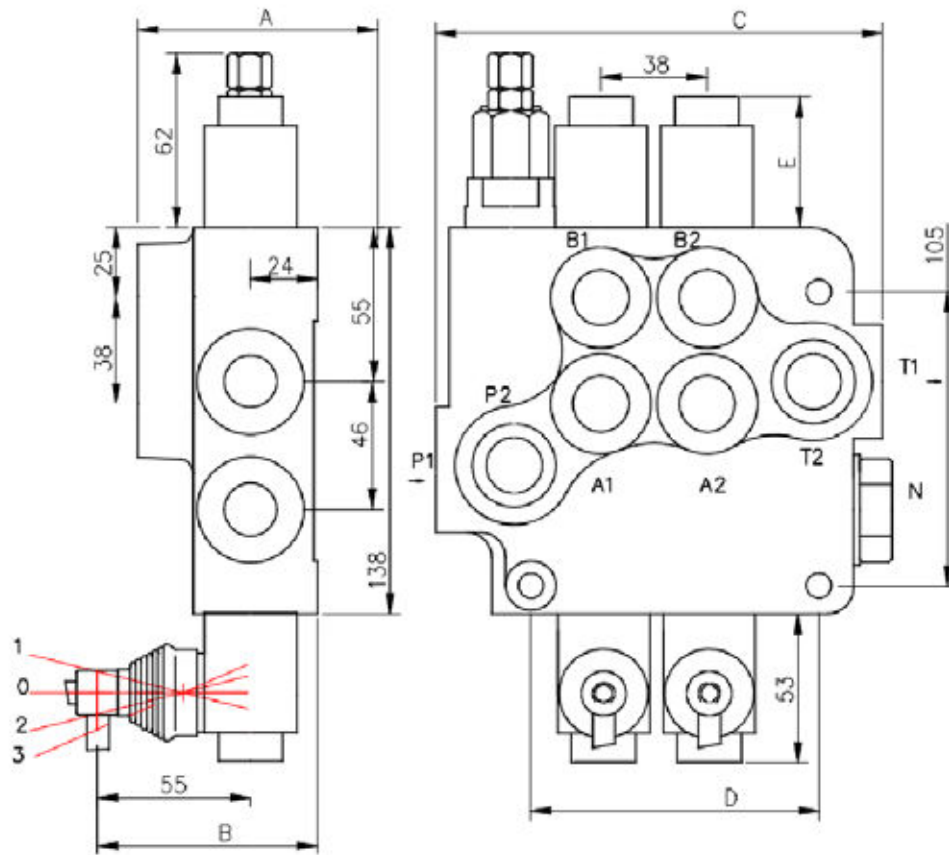
	Part #	List Price \$	No. of Handles	Spool Type	Lever Positioning	Check Valve
NEW	Z80-1-L12-GKZ1	550.00	1	Float spool	Spring return detent on float	Individual

Z80 - Accessories & Spares

	Part #	List Price \$	Description
NEW	4125943	310.00	Z80 joystick
NEW	4093048	20.00	Z80 lever
NEW	4093211	60.00	Z80 lever box
NEW	4093132	70.00	Z80 lever box kit
NEW	1000169	10.00	PVC boot for lever box
NEW	4093102	40.00	Z80 seal kit 1 spool
NEW	4110375	20.00	Pneumatic control seal kit

Badestnost

MADE IN EUROPE



Z80 Valve Dimensions

No. of Spools	A (mm)	B (mm)	C (mm)	D (mm)
1	65	79	107	65
2	80	94	160	103
3	80	94	198	141
4	80	94	236	179
5	80	94	274	217
6	80	94	312	255

ORDER CODES													
	3	Z80	-		1	-	A	2	P	-	G	KZ1	C2
Individual Check Valve	No. of Spools	Series		Relief	Parallel Distribution		Spool Option	Spool Control	Control Option		Port Size	Lever Position	Outlet
	1			2			3	4	5		T,N 3/4" BSPP P,A,B 1/2" BSPP		6

- All valves are now ordered standard with **left hand inlet**.
- Z80 valves are supplied with individual check valves (each spool) as standard.
- Spool sequence starts from the spool closest to the relief valve.
- Spool option, spool control and control option must be repeated for each spool section - unless the configuration is common through the valve.

Example of valve with common spools: **3Z80-1-A8-GKZ1C2**

Example of Valve with variant configurations: **5Z80-1-A1P-A1P-A1P-C1-D4-GKZ1**

1 No. of Spools	Code	Description	Code	Description
	no code	1 spool section	4	4 spool sections
	2	2 spool sections	5	5 spool sections
	3	3 spool sections	6	6 spool sections

2 Relief Valve	Code	Part #	Description	List Price \$
	no code	4125846	Standard relief valve 160-315 bar	120.00
	SVP	4125633	Relief blanking plug	60.00

3 Spool Options	Code	Part #	Description	List Price \$
	A	4124611	Cylinder spool (P-T-A-B closed)	50.00
	B	4105558	Single acting (P-A pull) (A-T push)	50.00
	C	4105559	Single acting (P-B push) (B-T pull)	50.00
	D	4124612	Motor spool (P closed, A-B-T open)	50.00
	L	4105561	Float spool	80.00

4 Spool Control Options	Code	Part #	Description	List Price \$
	1	4093150	With spring return to neutral position	50.00
	2	4093153	Detent in position 1, 2 with spring return	70.00
	3	4093154	Detent in position 2, 1 with spring return	70.00
	4	4093816	2 Position 0-2 with spring return	50.00
	5	4099054	2 Position 1-0 with spring return	50.00
	6	4093155	2 Position 1-2 with spring return to position 1	50.00
	7	4093738	2 Position 2-1 with spring return to position 2	50.00
	8	4093156	Detent in 1-0-2 without spring centering	70.00
	9	4093157	Detent in 1-0 without spring centering	70.00
	10	4093151	Detent in 0-2 without spring centering	70.00
	11	4093152	Detent in 1-2 without spring centering	70.00
	12	4093168	Float controller 1-0-2 spring return position 3 detent	90.00

5
Control
Options

Code	Part #	Description	List Price \$
no code		Standard without additional control	-
	4124693	Electro-pneumatic valve to suit 4103491 12v (order x2 separately)	300.00
	4124692	Electro-pneumatic valve to suit 4103491 24v (order x2 separately)	300.00
P	4103492	On/off pneumatic control 5 bar ports NPTF 1/8"-27	240.00
H	4093696	On/off hydraulic control 5-20 bar ports G1/4"	200.00
JS	4125943	Joystick (2 spools required)	310.00
EC	4111923	Microswitch bracket operated in position 1 *	50.00
EB	4111922	Microswitch bracket operated in position 2 *	50.00
EA	4111921	Microswitch bracket operated in position 1+2 *	50.00
	4116329	Microswitch only (ordered separately)	60.00

* switch not included

6
Outlet

Code	Part #	Description	List Price \$
C	4093138	Closed centre	20.00
C2	4093057	Power beyond carry over G1/2" M22x1.5	30.00
no code		Without high pressure carry over	-



MONOBLOCK VALVES

BADESTNOST P120 (120 LPM)

P120 - Monoblock Valve

Model	P120
Max Flow	120 LPM
Max Nominal Pressure on P	250 bar
Max Nominal Pressure on A+B	300 bar
Max Pressure on T	50 bar
Relief Valve Range	50-315 bar
Relief Preset Range	180 bar
Port Size P-T-N-A-B	1" BSPP



Note: all valves are now ordered standard with left hand inlet.

P120 - Monoblock Valve

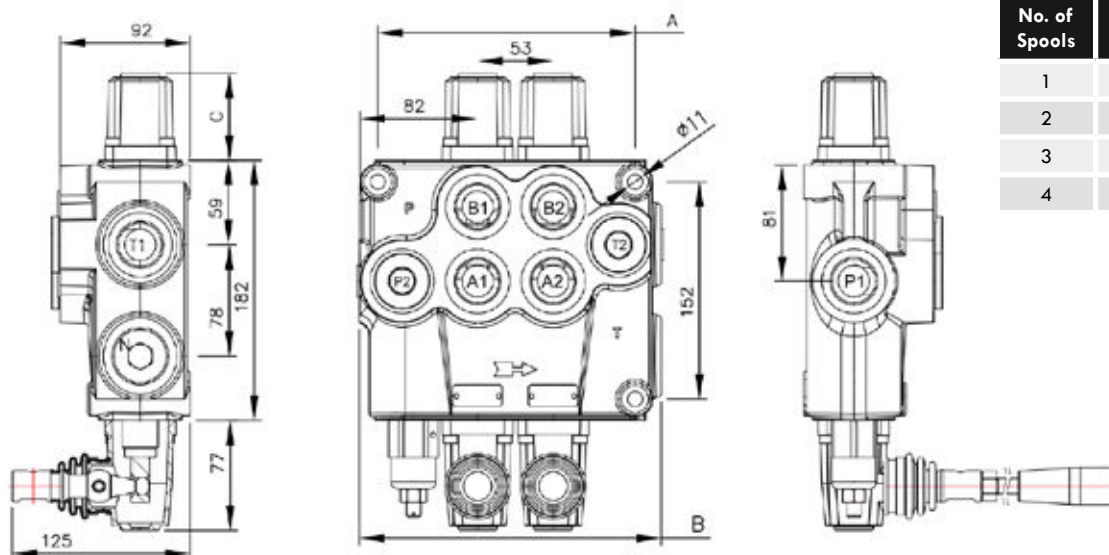
	Part #	List Price \$	No. of Handles	Spool Type	Lever Positioning	Check Valve
NEW	P120-1-A1-GKZ1	760.00	1	Cylinder spool	Spring return to neutral	Common
NEW	P120-1-B1-GKZ1	760.00	1	Single acting (P-A pull) (A-T push)	Spring return to neutral	Common
NEW	P120-1-C1-GKZ1	760.00	1	Single acting (P-B push) (B-T pull)	Spring return to neutral	Common
NEW	P120-1-D1-GKZ1	760.00	1	Motor spool	Spring return to neutral	Common
NEW	02P120-1-A1-GKZ1	1060.00	2	Cylinder spool	Spring return to neutral	Common
NEW	02P120-1-D1-GKZ1	1060.00	2	Motor spool	Spring return to neutral	Common
NEW	03P120-1-A1-GKZ1	1400.00	3	Cylinder spool	Spring return to neutral	Common
NEW	04P120-1-A1-GKZ1	1750.00	4	Cylinder spool	Spring return to neutral	Common

P120 - Accessories & Spares

	Part #	List Price \$	Description
NEW	4098498	20.00	P120 lever
NEW	4102378	70.00	P120 lever box
NEW	4093772	80.00	P120 lever box kit
NEW	1002968	10.00	P120 PVC boot for lever box
NEW	4093773	40.00	P120 seal kit 1 spool
NEW	4110393	20.00	P120 pneumatic control seal kit

Badestnost

MADE IN EUROPE



P120 Valve Dimensions

No. of Spools	A (mm)	B (mm)
1	129	160
2	182	213
3	235	266
4	288	319

ORDER CODES												
0	3	P120	-	1	-	A	2	P	-	G	KZ1	C2
Common Check Valve	No. of Spools	Series		Relief	Parallel Distribution	Spool Option	Spool Control	Control Option		Port Size	Lever Position	Outlet
	1			2		3	4	5		1" BSPP		6

- All valves are now ordered standard with **left hand inlet**.
- 0 value at start of part number not required on single spool valves.
- Spool sequence starts from the spool closest to the relief valve.
- Spool option, spool control and control option must be repeated for each spool section - unless the configuration is common through the valve.

Example of valve with common spools: **03P120-1-A8-GKZ1C2**

Example of Valve with variant configurations: **05P120-1-A1P-A1P-A1P-C1-D4-GKZ1**

1 No. of Spools	Code	Description	Code	Description
	no code	1 spool section	4	4 spool sections
	2	2 spool sections	5	5 spool sections
	3	3 spool sections	6	6 spool sections

2 Relief Valve	Code	Part #	Description	List Price \$
	no code		Standard relief valve 160-315 bar	-
	SVP	4110139	P120 relief cavity plug	80.00

3 Spool Option	Code	Part # for P80	Description	List Price \$
	A	1002927	Cylinder spool (P-T-A-B closed)	60.00
	B	4093354	Single acting (P-A pull) (A-T push)	60.00
	C	4100010	Single acting (P-B push) (B-T pull)	60.00
	D	4092942	Motor spool (P closed, A-B-T open)	60.00

4 Spool Control Options	Code	Part #	Description	List Price \$
	1	4099875	With spring return to neutral position	60.00
	2	4100011	Detent in position 1, 2 with spring return	100.00
	3	4100012	Detent in position 2, 1 with spring return	100.00
	4	4100060	2 position 0-2 with spring return	60.00
	5	4103771	2 position 1-0 with spring return	60.00
	6	4101451	2 position 1-2 spring return to position 1	60.00
	7	4101452	2 position 2-1 spring return to position 2	60.00
	8	4093158	Detent in 1-0-2 without spring centering	80.00
	9	4103772	Detent in 1-0 without spring centering	80.00
	10	4100732	Detent in 0-2 without spring centering	80.00
	11	4107208	Detent in 1-2 without spring centering	80.00

5 Control Options	Code	Part #	Description	List Price \$
	no code		Standard without additional control	-
	P	4098867	On/off pneumatic control 5 bar ports NPTF 1/8"-27	270.00
	H	4103880	On/off hydraulic control 5-20 bar ports G1/4"	270.00

6 Outlet	Code	Part #	Description	List Price \$
	C	4093139	Closed centre	30.00
	C2	4093144	Power beyond carry over G1/2" M22x1.5	40.00
	no code		Without high pressure carry over	-

P81 - Logsplitter Valve

Model	P81
Max Flow	80 LPM
Max Nominal Pressure on P	250 bar
Max Nominal Pressure on A+B	300 bar
Max Pressure on T	10 bar
Kick Out Range	70-140 bar
Relief Valve Range	120-210 bar
Relief Preset Range	145 bar
Port Size P-T	3/4" BSPP
Port Size A-B	1/2" BSPP



P81 - Logsplitter Valve

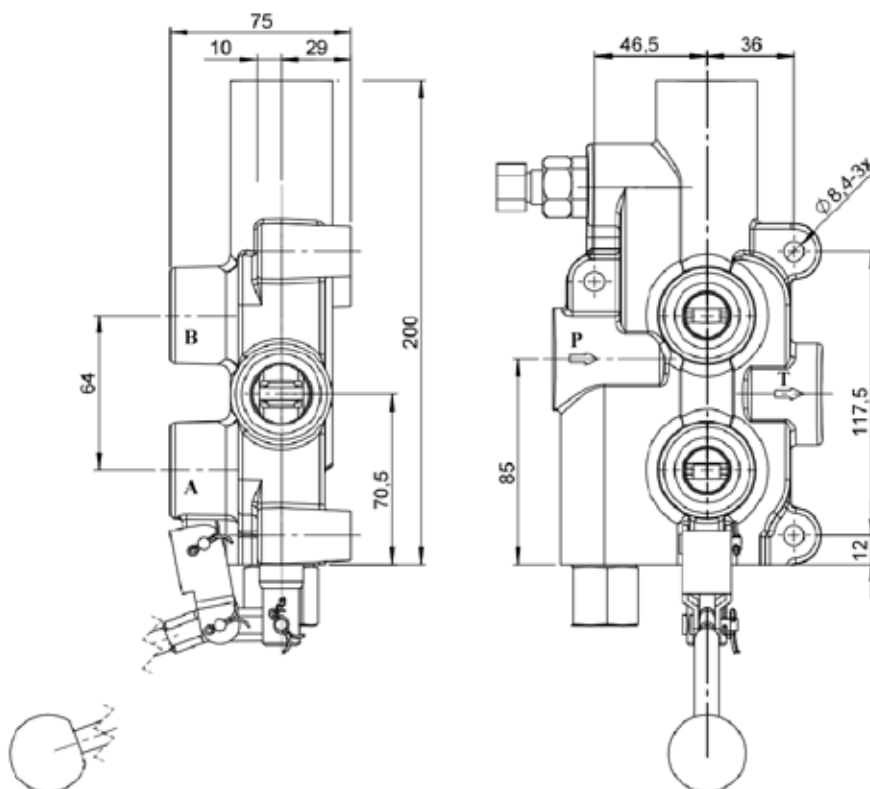
Part #	List Price \$	No. of Handles	Spool Type	Lever Positioning	Check Valve
NEW P81A2G	360.00	1	Auto kickout	Detent w/ hydraulic release	No
NEW P81RSG	460.00	1	Auto kickout (regenerative) <i>To be used with single pump</i>	Detent w/ hydraulic release	No

P81 - Accessories & Spares

Part #	List Price \$	Description
NEW 4102076	70.00	Replacement handle kit

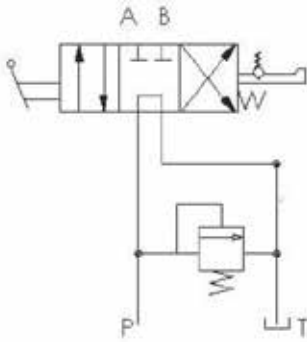
Badestnost

MADE IN EUROPE



Log Splitter Valve

Part #	List Price \$	Max Flow	Max Pressure	P+T Ports	A+B Ports
LSV81303400	405.00	80 lpm	3265 psi	3/4" BSPP	1/2" BSPP
LSV81035340	484.00	120 lpm	3265 psi	3/4" NPT	1/2" NPT
LSV-81303400-HK	95.00		Spare lever assembly 1/2" 80 lpm		
LSV-81035340-HK	95.00		Spare lever assembly 1/2" 120 lpm		
LSV-81303400-SK	48.00		Seal kit for valve LSV81303400		
LSV-81035340-SK	48.00		Seal kit for valve LSV81035340		



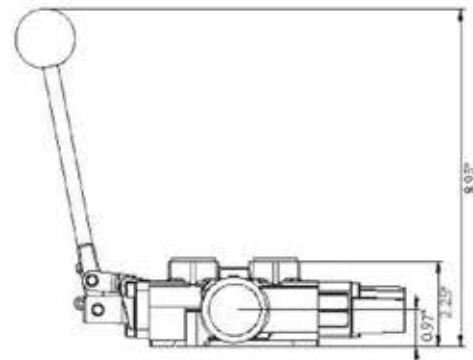
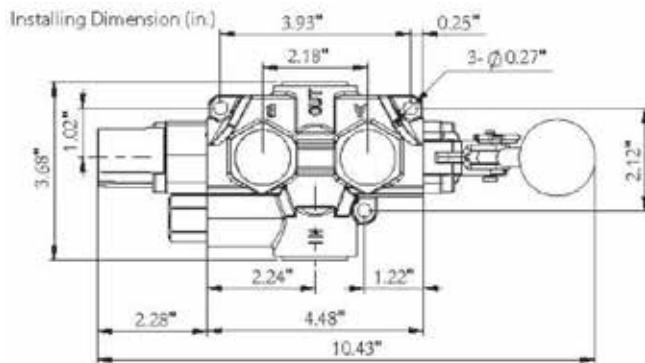
*Relief valve preset
2250 psi*

*Recommended filtration
10 micron*

*Maximum tank pressure
500 psi*

*Kickout pressure
800 psi (non-adj)*

LSV81303400



LSV81035340

