

CATFORD

Jamestown

SA 5491

ENGINEERING PRODUCTS

All Prices Excluding GST

Phone: 0418 641 566

www.catford.com.au sales@catford.com.au

Hydraulic Motors

*BMM, BMP & BMPH Gerotor Motors

*BMR, BMRS, BMSY, BMV & BMT Geroler Motors

*Hydraulic Brakes & Motor Valves





Lot 25, Mannanarie Road, Jamestown, South Australia 5491

PO Box 178, Jamestown, South Australia 5491



0418 641 566



sales@catford.com.au

Due to fluctuations in the Australian dollar and the economic climate, please be advised that all prices are subject to change.
Please contact us to confirm pricing.

All prices stated within are exclusive of GST
(All prices are correct as of January 1st 2024, but Catford Engineering reserve the right to change these prices without notice)

Hydraulic Motors

CATFORD Jamestown
SA 5491
ENGINEERING
PRODUCTS

Phone: 0418 641 566

www.catford.com.au sales@catford.com.au

M+S Series		HydNet	Bosch Rexroth	Brevini/Sam	Danfoss	Eaton Char Lynn	Parker	Ross/TRW	White	
GEROTOR MOTORS	MM Page 185		BMM (EU)	MGX	BGM	OMM			WM (125/126)	
	MLHM Page 187		BMM (US)			OMM (US)	J Series			
	MP Page 189		BMP	MGP/GMP	BGE	OMP		MF	WP (155)	
	MLHP Page 191					OMP (US)				
	HP Page 193		BMPH		BH	DH	H Series	TB	MG	WD (145)
	PL Page 195							TE		
	MR Page 197		BMR	MGR/GMR	BRE	OMR				WR (255)
GEROLER MOTORS	MLHR Page 199					OMR (US)				
	HR Page 201		BMRS		BS	DS	S,T Series			WG
	RL Page 203							TE	MB	RS (200)
	MH Page 205					OMH				

M+S Series		HydNet	Bosch Rexroth	Brevini/Sam	Danfoss	Eaton Char Lynn	Parker	Ross/TRW	White
GEROTOR MOTORS	MLHH Page 207								
	RW Page 209		MGRW		OMEW				
HEAVY DUTY	HW Page 211						TG		RE (500)
	MS Page 213	BMSY (EU)	MGS/GMS	HR	OMS				WS
DISC VALVE MOTORS	MLHS Page 215	BMSY (US)		HRS	OMS (US)	2000 Series	TG	ME	RE (500)
	MYZ Page 217					4000 Series		MJ	
	MT Page 219	BMT	MGT/GMT	HT	OMT				
	MLHT Page 221				OMT (US)				
	MTM Page 223				TMT				
	MV Page 225	BMV	MGV/GMV		OMV				
	MLHV Page 227				OMT (US)				

MM Series Gerotor Motor

Standard Pricing: Shaft 16mm Straight Keyed, Mount 3-bolt, Ports 3/8" BSPP Rear, Case 1/8" BSPP

Part #	List Price \$	DISPLACEMENT	ROTOR	SPEED	FLOW	PRESSURE DROP	INLET PRESSURE	TORQUE	WEIGHT
		(cc)	Width L1 (mm)	Max. Cont. (RPM)	Max. Cont. (LPM)	Max. Cont. (Bar)	Max. Cont. (Bar)	Max. Cont. (Nm)	(Kg)
MM 8 C	450.00	8.2	3.5	1950	16	100	140	11	2
MM 12.5 C	460.00	12.5	5.5	1550	20	100	140	16	2.1
MM 20 C	470.00	19.9	8.5	1000	20	100	140	25	2.2
MM 32 C	480.00	31.6	13.5	630	20	100	140	40	2.3
MM 40 C	570.00	39.8	17	500	20	90	140	45	2.4
MM 50 C	630.00	50	21	400	20	70	140	46	2.6

To ensure best motor life, fill with fluid and run at moderate load for 5-10 minutes

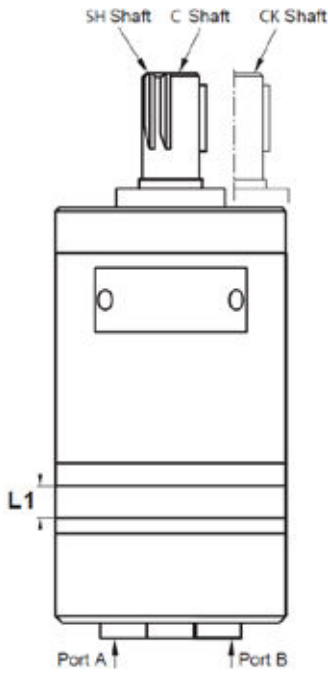
Nomenclature

MM	OPTION			MOUNTING A			PORTS			DISP.	SHAFTS			MOUNTING B		
	Code	Description	\$	Code	Description	\$	Code	Description	\$	8-50cc	Code	Description	\$	Code	Description	\$
	D	Dual crossline Relief	90	-	Round 3-bolt 31.5mm spigot	-	-	Rear ports 3/8" BSPP	-		C	16mm keyed	-	-5	Round 5-bolt M6	50
				F	Oval 2-bolt 63mm spigot	30	S	Side ports 3/8" BSPP	-		CK	14mm keyed	-	RS SHL5	Universal speed sensor 5m lead	400
											SH	16.5mm 9T splined	20			

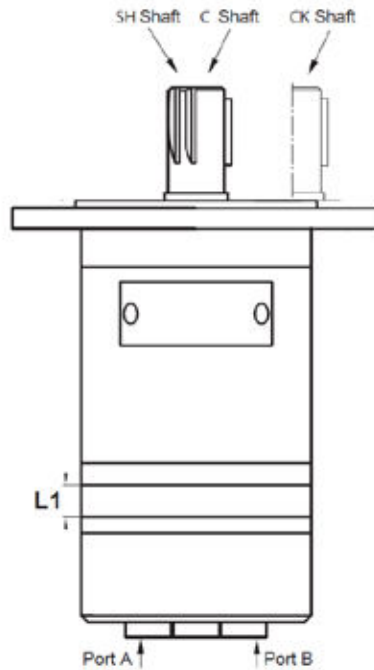


Seal Kits		Shaft Seals				Dust Seals		
Part #	List Price \$	Part #	Dimensions (mm)	Pressure Rating without Drain Line	List Price \$	Part #	Dimensions (mm)	List Price \$
MM-SKD	110.00	MP015V001	17 x 28 x 5.5	140 bar ≤100rpm	60.00	MP013V003	23.5 x 17 x 3.4	20.00
MM-SKV	280.00	MP015V028	17 x 28 x 5.5	140 bar ≤100rpm	250.00			

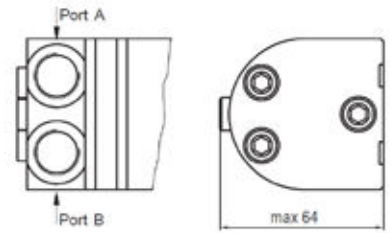
MM Standard MM Series



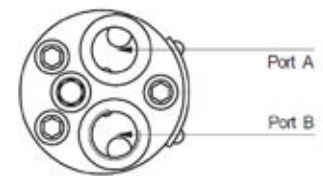
MMF MMF Series



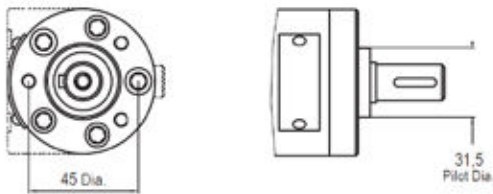
S Side Ports



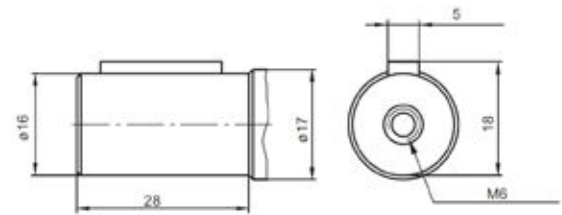
- Standard Rear Ports



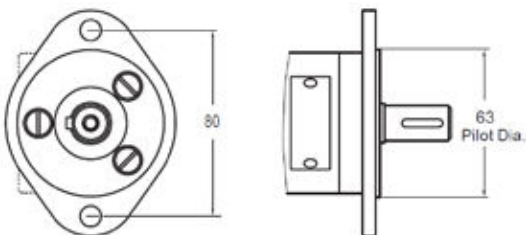
- Standard Mount M6 3-bolt



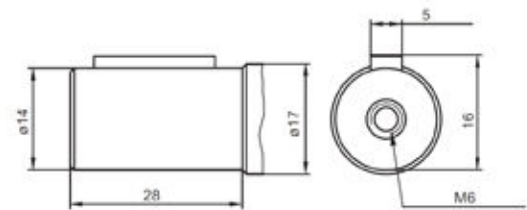
C 16mm Keyed Shaft



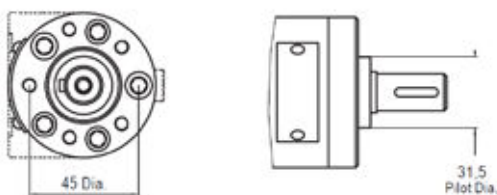
F Oval Mount 2-bolt



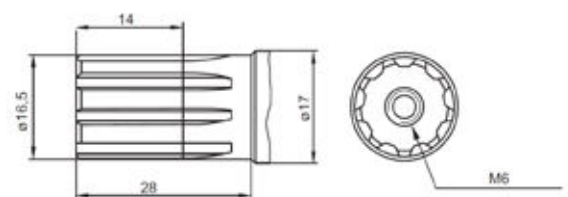
CK 14mm Keyed Shaft



-5 Mount M6 5-bolt



SH 16.5mm 9T Splined Shaft



MLHM Series Gerotor Motor

Standard Pricing: Shaft 5/8" Straight Keyed, Mount 3-bolt, Ports 9/16" UNF Rear, Case 3/8" UNF

Part #	List Price \$	DISPLACEMENT	ROTOR	SPEED	FLOW	PRESSURE DROP	INLET PRESSURE	TORQUE	WEIGHT
		(cc)	Width L1 (mm)	Max. Cont. (RPM)	Max. Cont. (LPM)	Max. Cont. (Bar)	Max. Cont. (Bar)	Max. Cont. (Nm)	(Kg)
MLHM 8 C7	450.00	8.2	3.5	1950	16	100	140	11	2
MLHM 12.5 C7	460.00	12.5	5.5	1550	20	100	140	16	2.1
MLHM 20 C7	470.00	19.9	8.5	1000	20	100	140	25	2.2
MLHM 32 C7	480.00	31.6	13.5	630	20	100	140	40	2.3
MLHM 40 C7	570.00	39.8	17	500	20	90	140	45	2.4
MLHM 50 C7	630.00	50	21	400	20	70	140	46	2.6

To ensure best motor life, fill with fluid and run at moderate load for 5-10 minutes

Nomenclature

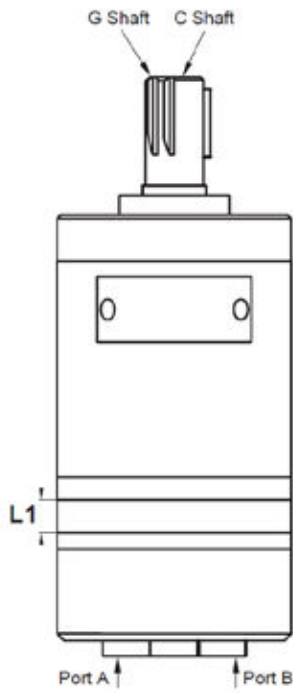
MLHM	MOUNTING A			DISP.	SHAFTS			PORTS			OPTION			MOUNTING B		
	Code	Description	\$	8-50cc	Code	Description	\$	Code	Description	\$	Code	Description	\$	Code	Description	\$
	-	Round 3-bolt 31.5mm spigot	-		C	5/8" straight keyed	-	7	Rear ports 9/16" UNF	-	D	Dual crossline relief	90	-5	Round 5-bolt 1/4" UNF	50
	F	Oval 2-bolt 63mm spigot	30		G	16.5mm 9T splined	20	4	Side ports 9/16" UNF	-						



Seal Kits		Shaft Seals				Dust Seals		
Part #	List Price \$	Part #	Dimensions (mm)	Pressure Rating without Drain Line	List Price \$	Part #	Dimensions (mm)	List Price \$
MLHM-SK	110.00	MP015V001	17 x 28 x 5.5	140 bar ≤100rpm	60.00	MP013V003	23.5 x 17 x 3.4	20.00

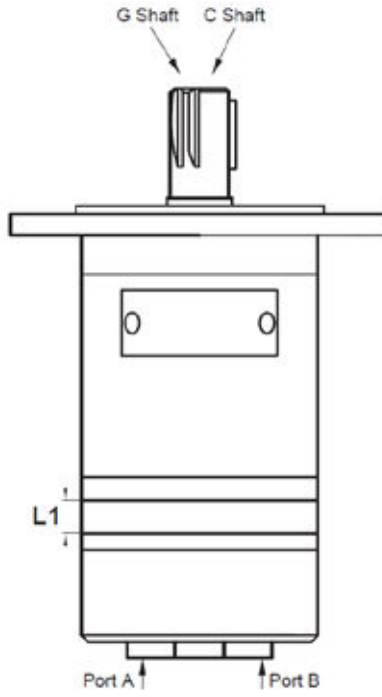
MLHM

Standard MLHM Series



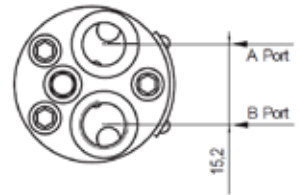
MLHMF

MLHMF Series



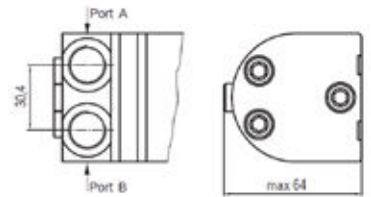
7

Rear Ports



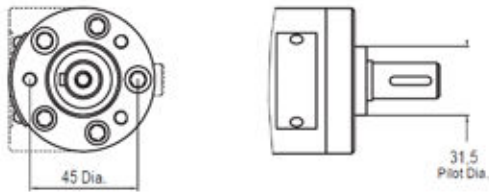
5

Side Ports



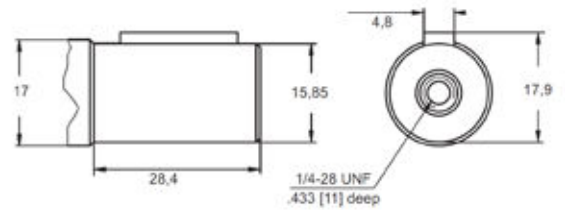
-

Standard Mount 1/4" UNF 3-bolt



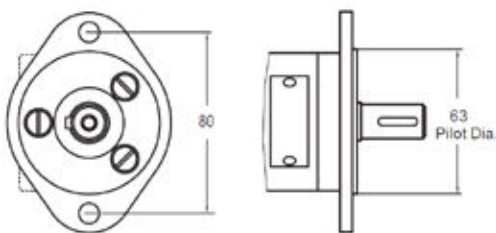
C

5/8" Straight Keyed Shaft



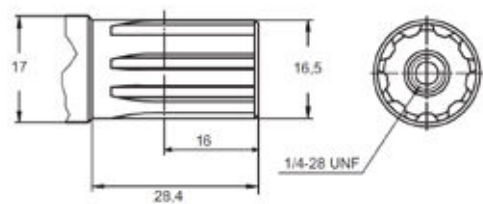
F

Oval Mount 2-bolt



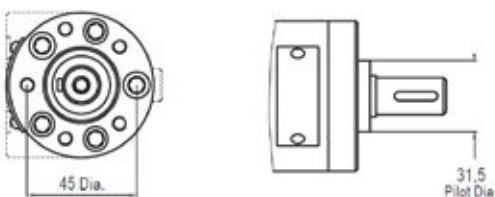
G

16.5mm 9T Splined Shaft



-5

Mount 1/4" UNF 5-bolt



MP Series Gerotor Motor

Standard Pricing: Shaft 1" Straight Keyed, Mount SAE A 2-bolt, Ports 1/2" BSPP, Case 1/4" BSPP

Part #	List Price \$	DISPLACEMENT	ROTOR	SPEED	FLOW	PRESSURE DROP	INLET PRESSURE	TORQUE	WEIGHT
		(cc)	Width L1 (mm)	Max. Cont. (RPM)	Max. Cont. (LPM)	Max. Cont. (Bar)	Max. Cont. (Bar)	Max. Cont. (Nm)	(Kg)
MPN 25 COD	690.00	28.4	5.2	1408	40	100	175	33	6.1
MPN 32 COD	700.00	34.5	6.3	1450	50	100	175	43	6.1
MPN 40 COD	700.00	40.5	7.4	1480	60	120	175	62	6.2
MPN 50 COD	710.00	49.5	6.67	1210	60	140	175	94	6.3
MPN 60 COD	720.00	59.5	8.25	983	60	140	175	110	6.3
MPN 80 COD	720.00	79.2	10.67	755	60	140	175	151	6.4
MP 100 COD	640.00	99	13.33	605	60	140	175	193	6.6
MP 125 COD	660.00	123.8	16.67	486	60	140	175	237	6.7
MP 160 COD	680.00	158.4	21.33	378	60	140	175	313	6.9
MP 200 COD	700.00	198	26.67	303	60	140	175	366	7.1
MP 250 COD	720.00	247.5	33.33	242	60	110	175	380	7.3
MP 315 COD	740.00	316.8	42.67	190	60	90	175	380	7.6
MP 400 COD	760.00	396	53.33	150	60	70	175	360	8.2
MP 500 COD	920.00	495	66.63	120	60	60	140	390	9.4
MP 630 COD	1070.00	623.6	84	95	60	55	140	440	10.1

To ensure best motor life, fill with fluid and run at moderate load for 5-10 minutes

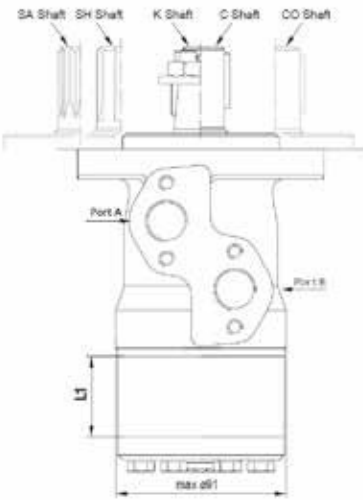
Nomenclature

MP	MOUNTING			OPTIONS			DISP.	SHAFTS			SHAFT SEALS		
Code	Description	\$	Code	Description	\$	25-630cc	Code	Description	\$	Code	Description	\$	
-	SAE A 2-bolt 82.5mm spigot	-	N	Needle bearings	90		CO	1" straight keyed	-	D	150 Bar *	-	
Q	Square 4-bolt 44.4mm spigot	50	E	Rear ports 1/2" BSPP	60		C	25mm straight keyed	-	U	200 Bar * +	30	
F	Magneto 4-bolt 82.5mm spigot	40					CB	32mm straight keyed	50	V	150 Bar viton *	100	
W	Wheel mount 80mm spigot	170					SH	1" 6B splined	20	RS SHL5	Universal speed sensor 5m lead	420	
WF	Sweepers special mount	200					HB	1.1/4" 14T splined	60		* Refer to specifications for performance data		
							K	28.56mm 1:10 tapered	40		+ U seal cannot be used with needle bearings		
							KB	35mm 1:10 tapered	50				

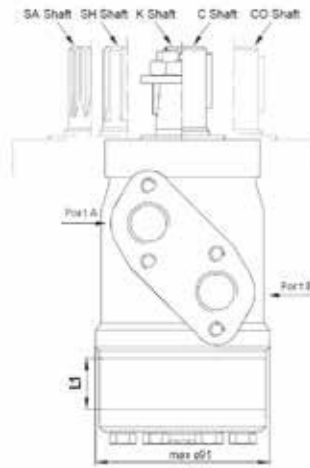


Seal Kits		Shaft Seals				Dust Seals		
Part #	List Price \$	Part #	Dimensions (mm)	Pressure Rating without Drain Line	List Price \$	Part #	Dimensions (mm)	List Price \$
MP-SKD	110.00	MP015V002	28.56 x 42 x 5.5	150 bar ≤100rpm	50.00	MP013V021	28.5 x 35 x 2	20.00
MPQ-SKD	110.00							
MP-SKU	110.00	MP015V048	28.56 x 42 x 5.5	200 bar ≤200rpm	50.00			
MPQ-SKU	110.00							
MP-SKV	340.00	MP015V029	28.56 x 42 x 5.5	150 bar ≤100rpm	50.00			
MP-SKB	110.00	MP015V006	35 x 48 x 5.5	100 bar ≤100rpm	50.00	MP013V022	35 x 42 x 2	20.00

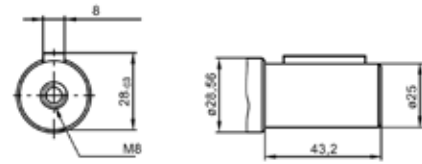
MP Standard MP Series



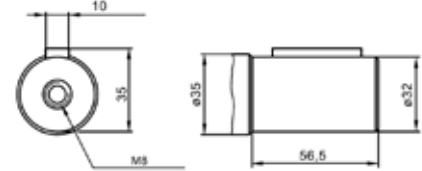
MPQ MPQ Series



C 25mm Straight Keyed Shaft



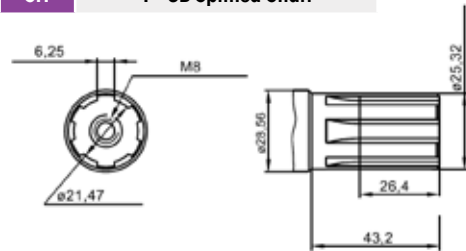
CB 32mm Straight Keyed Shaft



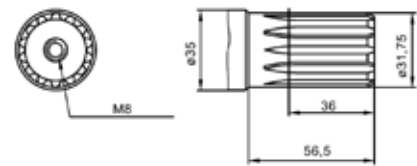
CO 1" Straight Keyed Shaft



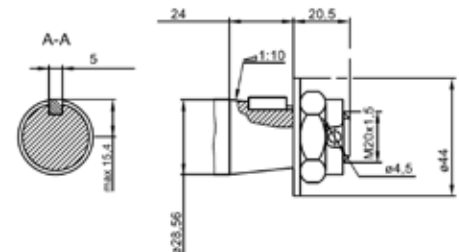
SH 1" 6B Splined Shaft



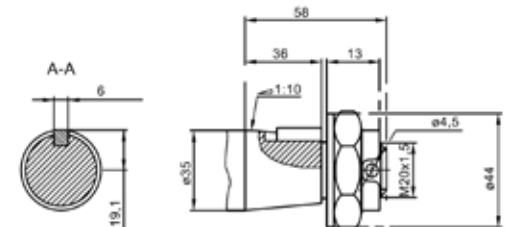
HB 1.1/4" 14T Splined Shaft



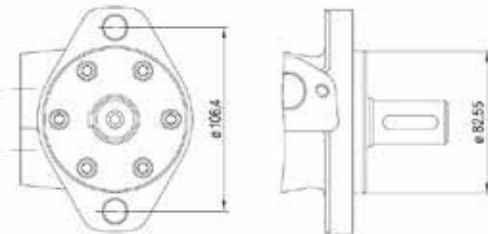
K 28.56mm 1:10 Tapered Shaft



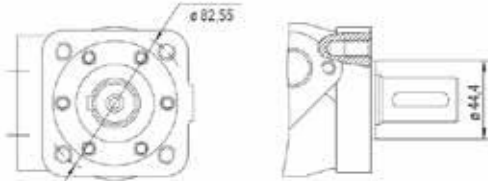
KB 35mm 1:10 Tapered Shaft



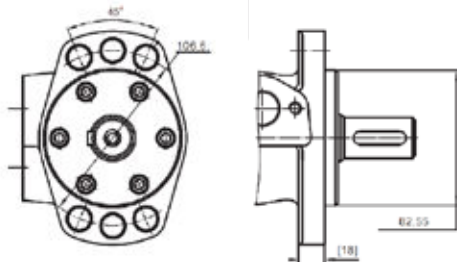
Standard Mount SAE A 2-bolt



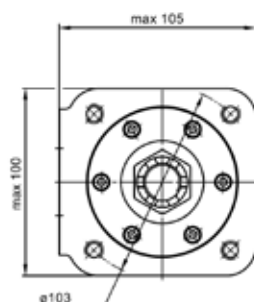
Q Q Mount M10 4-bolt



F Magneto Mount



W Wheel Mount



MLHP Series Gerotor Motor

Standard Pricing: Shaft 1" Straight Keyed, Mount SAE A 2-bolt, Ports 7/8" UNF, Case 7/16" UNF

Part #	List Price \$	DISPLACEMENT	ROTOR	SPEED	FLOW	PRESSURE DROP	INLET PRESSURE	TORQUE	WEIGHT
		(cc)	Width L1 (mm)	Max. Cont. (RPM)	Max. Cont. (LPM)	Max. Cont. (Bar)	Max. Cont. (Bar)	Max. Cont. (Nm)	(Kg)
MLHP 25 CN4D	690.00	28.4	5.2	1600	40	100	175	33	6.1
MLHP 32 CN4D	700.00	34.5	6.3	1560	50	100	175	43	6.1
MLHP 40 CN4D	700.00	40.5	7.4	1500	60	120	175	62	6.2
MLHP 50 CN4D	710.00	49.5	6.67	1210	60	140	175	94	6.3
MLHP 60 CN4D	720.00	59.5	8.25	983	60	140	175	110	6.3
MLHP 80 C4UE	630.00	79.2	10.67	755	60	140	175	151	6.4
MLHP 100 C4UE	640.00	99	13.33	605	60	140	175	193	6.6
MLHP 125 C4UE	660.00	123.8	16.67	486	60	140	175	237	6.7
MLHP 160 C4UE	680.00	158.4	21.33	378	60	140	175	313	6.9
MLHP 200 C4UE	700.00	198	26.67	303	60	140	175	366	7.1
MLHP 250 C4UE	720.00	247.5	33.33	242	60	110	175	380	7.3
MLHP 315 C4UE	740.00	316.8	42.67	190	60	90	175	380	7.6
MLHP 400 C4UE	760.00	396	53.33	150	60	70	175	360	8.2
MLHP 500 C4UE	920.00	495	66.63	120	60	60	140	390	9.4
MLHP 630 C4UE	1070.00	623.6	84	95	60	55	140	440	10.1

CN (25-60cc) have needle bearings as standard
To ensure best motor life, fill with fluid and run at moderate load for 5-10 minutes

Nomenclature

MLHP	MOUNTING			DISP.	SHAFTS			OPTIONS			PORTS			SHAFT SEALS			MacDon	
Code	Description	\$	25-630cc	Code	Description	\$	Code	Desc.	\$	Code	Desc.	\$	Code	Desc.	\$	Code	\$	
-	SAE A 2-bolt 82.5mm spigot	-		C	1" straight keyed	-	N	Needle bearings	90	4	Side ports 7/8" UNF	-	U	200 bar *	-	P-04D	180	
Q	Square 4-bolt 44.4mm spigot	50		H	1" straight cross hole 10.3mm hole	20				2	Side ports 1/2" BSPP	-	V	150 bar Viton *	100	P-08D	180	
F	Magneto 4-bolt 82.5mm spigot	40		G	1" 6B splined	20												

* Refer to specifications for performance data
+ U seal cannot be used with needle bearings

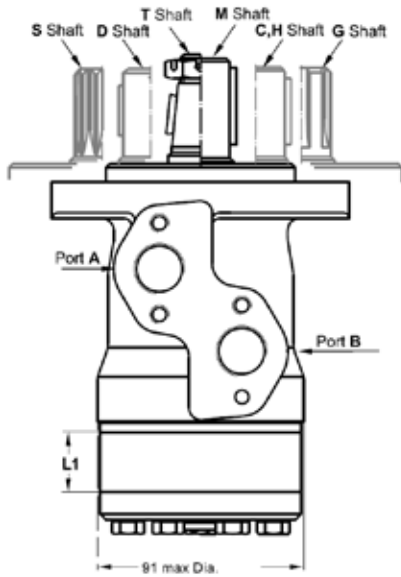


M+S HYDRAULIC
MADE IN EUROPE

Seal Kits		Shaft Seals				Dust Seals		
Part #	List Price \$	Part #	Dimensions (mm)	Pressure Rating without Drain Line	List Price \$	Part #	Dimensions (mm)	List Price \$
MLHP-SKD	110.00	MP015V002	28.56 x 42 x 5.5	150 bar ≤100rpm	50.00	MP013V021	28.5 x 35 x 2	20.00
MLHPQ-SKD	110.00							
MLHP-SKU	110.00	MP015V048	28.56 x 42 x 5.5	200 bar ≤200rpm	50.00			
MLHPQ-SKU	110.00							

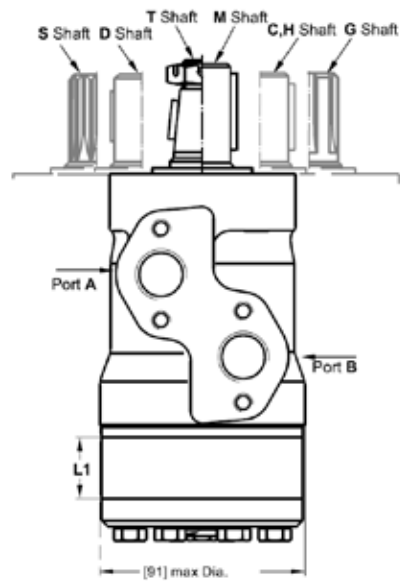
MLHP

Standard MLHP Series



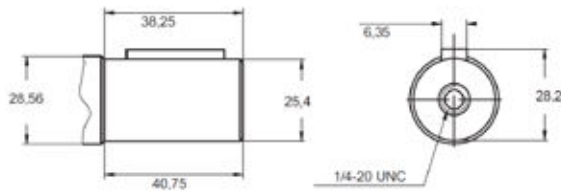
MLHPQ

MLHPQ Series



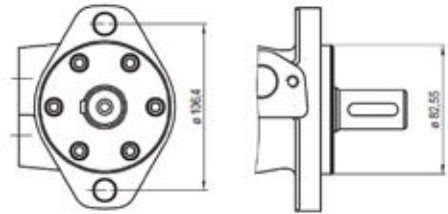
C

1" Straight Keyed Shaft



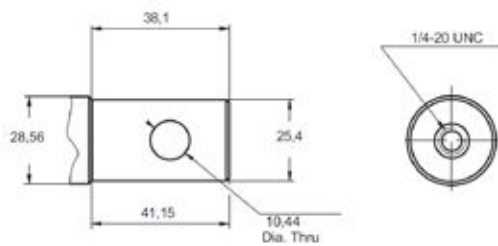
-

Standard Mount SAE A 2-bolt



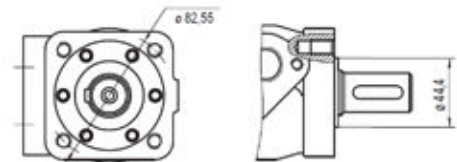
H

1" Straight Cross Hole 10.3mm



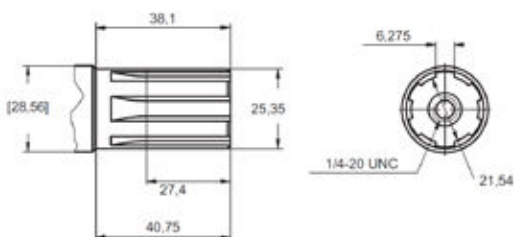
Q

Q Mount 3/8" UNC 4-bolt



G

1" 6B Splined Shaft



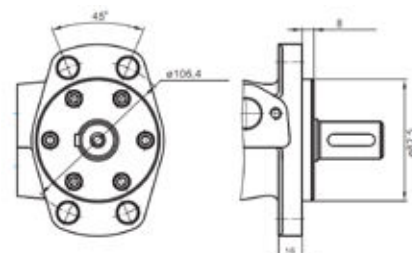
P-04D

MACDON Mount 3/8" UNC 2-bolt



F

Magneto 4-bolt Mount



HP Series Gerotor Motor

Standard Pricing: Shaft 1" Woodruff Keyed, Mount SAE A 2-bolt, Ports 7/8" UNF, Case 7/16" UNF

Part #	List Price \$	DISPLACEMENT	ROTOR	SPEED	FLOW	PRESSURE DROP	INLET PRESSURE	TORQUE	WEIGHT
		(cc)	Width L1 (mm)	Max. Cont. (RPM)	Max. Cont. (LPM)	Max. Cont. (Bar)	Max. Cont. (Bar)	Max. Cont. (Nm)	(Kg)
HP 25 C4UE	600.00	28.4	5.2	1055	30	100	140	33	5.5
HP 32 C4UE	610.00	34.5	6.3	1160	40	125	140	52	5.5
HP 40 C4UE	610.00	40.5	7.4	900	40	125	140	65	5.6
HP 50 C4UE	620.00	49.5	6.67	909	45	125	140	81	5.7
HP 60 C4UE	630.00	59.5	8.25	858	50	125	140	89	5.7
HP 80 C4UE	630.00	79.2	10.67	758	60	125	140	129	5.8
HP 100 C4UE	640.00	99	13.33	606	60	125	140	162	6
HP 125 C4UE	660.00	123.8	16.67	485	60	125	140	202	6.1
HP 160 C4UE	680.00	158.4	21.33	379	60	115	140	238	6.3
HP 200 C4UE	700.00	198	26.67	303	60	105	140	271	6.5
HP 250 C4UE	720.00	247.5	33.33	242	60	100	140	323	6.7
HP 315 C4UE	740.00	316.8	42.67	189	60	90	140	372	7
HP 400 C4UE	760.00	396	53.33	152	60	80	140	414	7.5

To ensure best motor life, fill with fluid and run at moderate load for 5-10 minutes

Nomenclature

HP	MOUNTING			OPTIONS			DISP.	SHAFTS			PORTS			SHAFT SEALS		
Code	Description	\$	Code	Description	\$	25-400cc	Code	Description	\$	Code	Description	\$	Code	Description	\$	
-	SAE A 2-bolt 82.5mm spigot	-	N	Needle bearings	90		C	1" straight woodruff keyed	-	4	Side ports 7/8" UNF	-	U	200 bar *	-	
Q	Square 4-bolt 44.4mm spigot	50					CW	25mm straight keyed	20	1	Manifold ports	30	V	150 bar Viton *	100	
							G	1" 6B splined	20							
							S	7/8" 13T splined	20							
							H	1" straight keyed 8mm cross hole	20							
							HE	1" straight keyed 10.3mm cross hole	50							
							TE	1" 1:8 tapered	50							

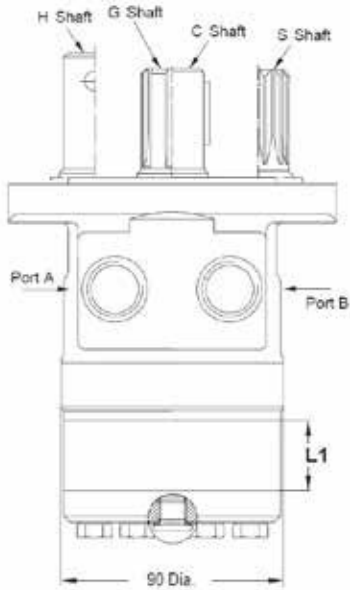
* Refer to specifications for performance data



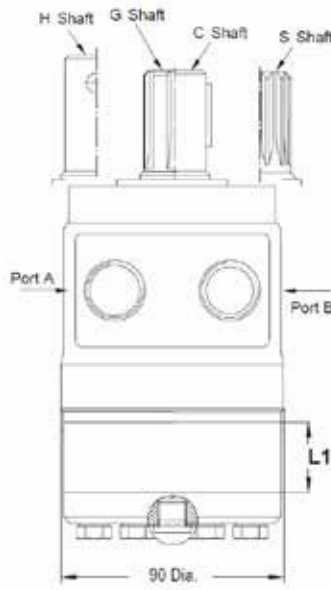
M+S HYDRAULIC
MADE IN EUROPE

Seal Kits		Shaft Seals				Dust Seals			
Part #	List Price \$	Part #	Dimensions (mm)	Pressure Rating without Drain Line	List Price \$	Part #	Dimensions (mm)	List Price \$	
HP-SKD	110.00	* contact nearest branch for details *				50.00	MP013V021	28.5 x 35 x 2	20.00
HPQ-SKD	110.00					70.00			
HPQ-SKUE	110.00	MP015V036	28.56 x 38 x 4.8	200 bar ≤200rpm	70.00				
HP-SKUE	110.00								

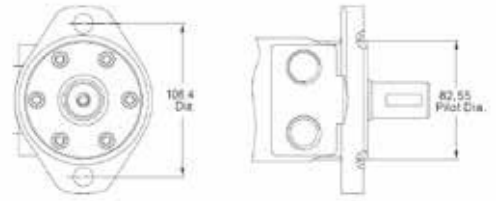
HP Standard HP Series



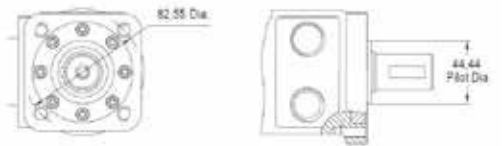
HPQ HPQ Series



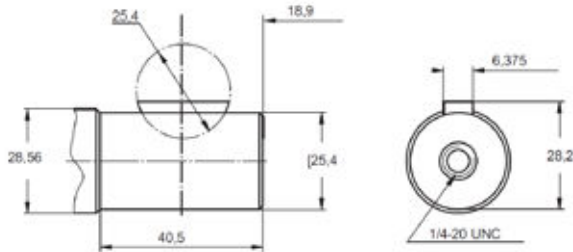
- Standard Mount SAE A 2-bolt



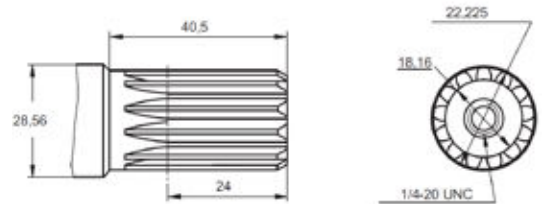
Q Q Mount 3/8" UNC 4-bolt



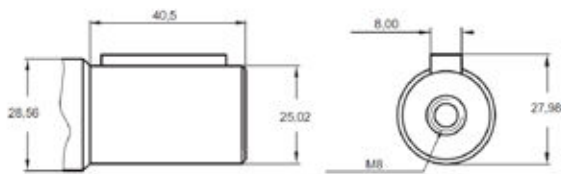
C 1" Straight Woodruff Keyed Shaft



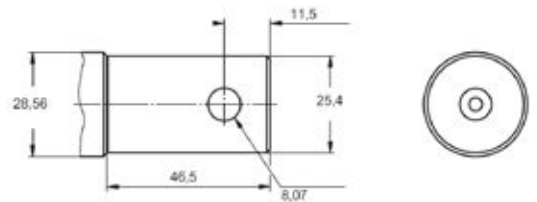
S 7/8" 13T Splined Shaft



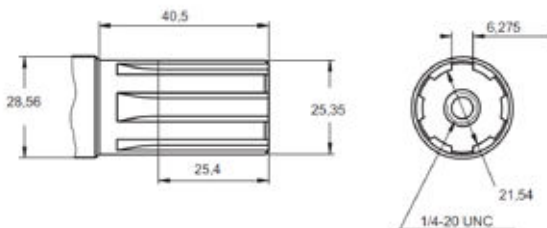
CW 25mm Straight Keyed Shaft



H 1" Keyed Shaft 8mm Cross Hole



G 1" 6B Splined Shaft



PL Series Gerotor Motor

Standard Pricing: Shaft 1" Straight Keyed, Mount SAE A 4-bolt, Ports 1/2" BSPP, Case 1/4" BSPP

Part #	List Price \$	DISPLACEMENT	ROTOR	SPEED	FLOW	PRESSURE DROP	INLET PRESSURE	TORQUE	WEIGHT
		(cc)	Width L1 (mm)	Max. Cont. (RPM)	Max. Cont. (LPM)	Max. Cont. (Bar)	Max. Cont. (Bar)	Max. Cont. (Nm)	(Kg)
PL 40 COU	810.00	40	7.4	1500	60	120	175	62	7
PL 50 COU	810.00	49.5	6.67	1210	60	140	175	94	7
PL 80 COU	820.00	79.2	10.67	755	60	140	175	151	7.1
PL 100 COU	840.00	99	13.33	605	60	140	175	193	7.2
PL 125 COU	860.00	123.8	16.67	485	60	140	175	237	7.4
PL 160 COU	870.00	158.4	21.33	378	60	140	175	313	7.6
PL 200 COU	900.00	198	26.67	303	60	140	175	366	7.8
PL 250 COU	920.00	247.5	33.33	242	60	140	175	470	8
PL 315 COU	940.00	316.8	42.67	190	60	120	175	486	8.3
PL 400 COU	970.00	396	53.33	150	60	95	175	500	8.6

To ensure best motor life, fill with fluid and run at moderate load for 5-10 minutes

Nomenclature

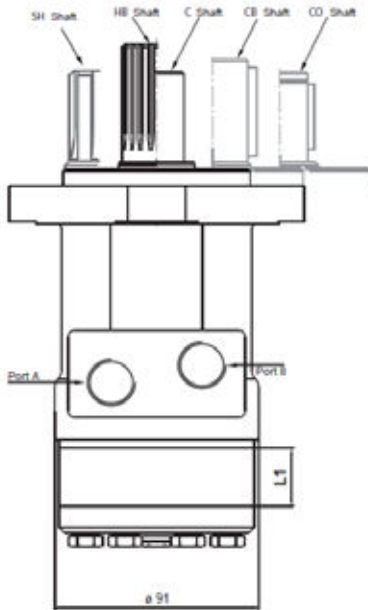
PL	MOUNTING			DISP.	SHAFTS			PORTS			SHAFT SEALS		
Code	Description	\$	40-400cc	Code	Description	\$	Code	Description	\$	Code	Description	\$	
A	SAE A 2-bolt 82.5mm spigot	20		CO	1" straight keyed	-	-	1/2" BSPP	-	U	200 bar *	-	
Q	Square 4-bolt 44.4mm spigot	30		C	25mm straight keyed	-	4	7/8" UNF	-	V	100 bar viton *	100	
F	Magneto 4-bolt 82.5mm spigot	40		CB	32mm straight keyed	50							
-	SAE A 4-bolt 82.55mm spigot	-		SH	1" 6B splined	20							
				HB	1.1/4" 14T splined	80							

* Refer to specifications for performance data

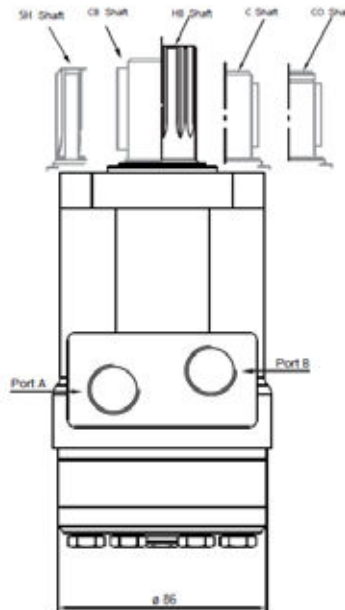


Seal Kits		Shaft Seals				Dust Seals		
Part #	List Price \$	Part #	Dimensions (mm)	Pressure Rating without Drain Line	List Price \$	Part #	Dimensions (mm)	List Price \$
PL-SKU	110.00	MP015V039	35 x 48 x 5.5	100 bar ≤100rpm	50.00	MP013V022	35 x 42 x 2	20.00

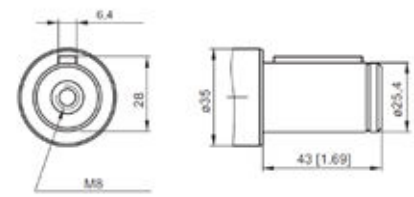
PL Standard PL Series



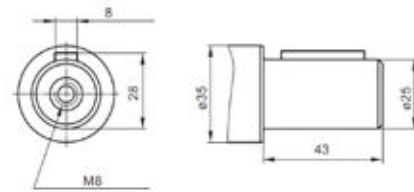
PLQ PLQ Series



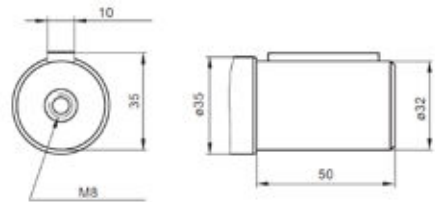
CO 1" Straight Keyed Shaft



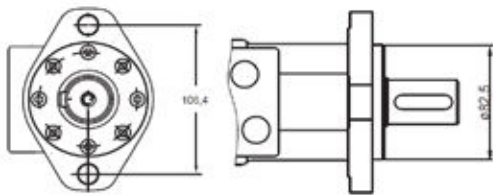
C 25mm Straight Keyed Shaft



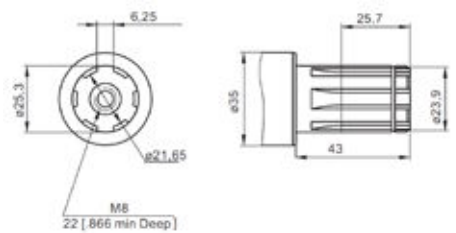
CB 32mm Straight Keyed Shaft



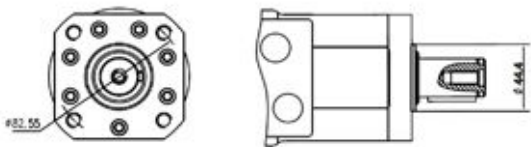
A A Mount SAE A 2-bolt



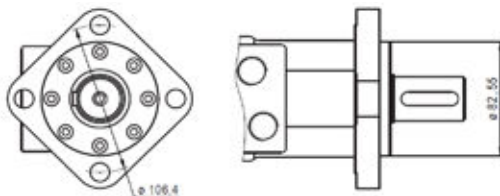
SH 1" 6B Splined Shaft



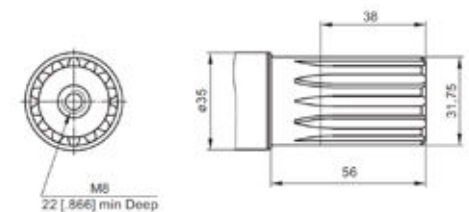
Q Q Mount 4-bolt



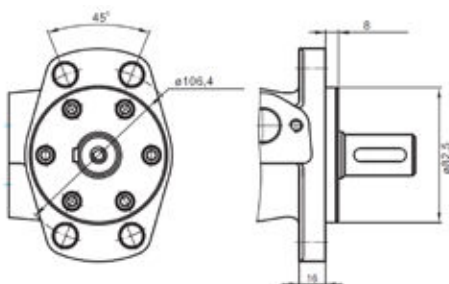
- Standard Mount SAE A 4-bolt



HB 1.1/4" 14T Splined Shaft



F Magneto 4-bolt Mount



MR Series Geroler Motor

Standard Pricing: Shaft 1" Straight Keyed, Mount SAE A 2-bolt, Ports 1/2" BSPP, Case 1/4" BSPP

Part #	List Price \$	DISPLACEMENT	ROTOR	SPEED	FLOW	PRESSURE DROP	INLET PRESSURE	TORQUE	WEIGHT
		(cc)	Width L1 (mm)	Max. Cont. (RPM)	Max. Cont. (LPM)	Max. Cont. (Bar)	Max. Cont. (Bar)	Max. Cont. (Nm)	(Kg)
MR 50 COD	760.00	51.5	9	775	40	140	175	100	7.2
MR 80 COD	780.00	80.3	14	750	60	175	175	200	7.4
MR 100 COD	790.00	99.8	17.4	600	60	175	175	240	7.6
MR 125 COD	810.00	125.7	21.8	475	60	175	175	300	7.9
MR 160 COD	830.00	159.6	27.8	375	60	175	175	390	8.3
MR 200 COD	860.00	199.8	34.8	300	60	140	175	385	8.6
MR 250 COD	880.00	250.1	43.5	240	60	110	175	390	9
MR 315 COD	900.00	315.7	54.8	190	60	85	175	360	9.5
MR 400 COD	930.00	397	69.4	150	60	65	175	380	10.3

To ensure best motor life, fill with fluid and run at moderate load for 5-10 minutes

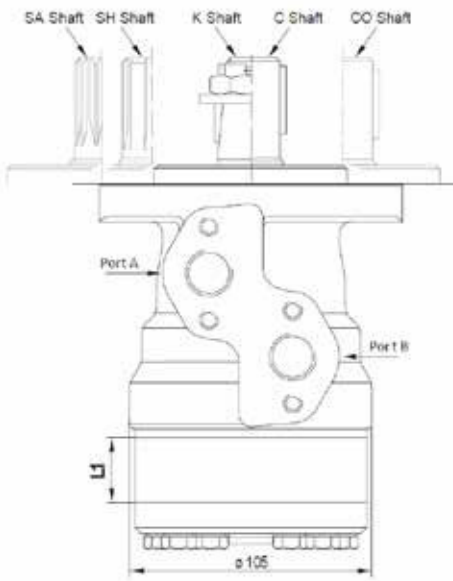
Nomenclature

MR	MOUNTING			OPTIONS			DISP.	SHAFTS			SHAFT SEALS			SPEED SENSORS		
	Code	Description	\$	Code	Desc.	\$	50-400cc	Code	Description	\$	Code	Description	\$	Code	Description	\$
	-	SAE A 2-bolt 82.5mm spigot	-	N	Needle bearings	90		CO	1" straight keyed	-	D	150 bar *	-	RS SH	Speed sensor universal plug	410
	Q	Square 4-bolt 44.4mm spigot	50	E	Rear ports 1/2" BSPP	60		C	25mm straight keyed	-	U	200 bar *	30	B/MR	Brake	820
	F	Magneto 4-bolt 82.5mm spigot	40					CB	32mm straight keyed	50	V	150 bar viton *	100	T	Tacho connection	330
								SH	1" 6B splined	20	* Refer to specifications for performance data			RS SHL5	Speed sensor universal 5m lead	420
								HB	1.1/4" 14T splined	60						
								K	28.56mm 1:10 tapered	40						
								KB	35mm 1:10 tapered	50						

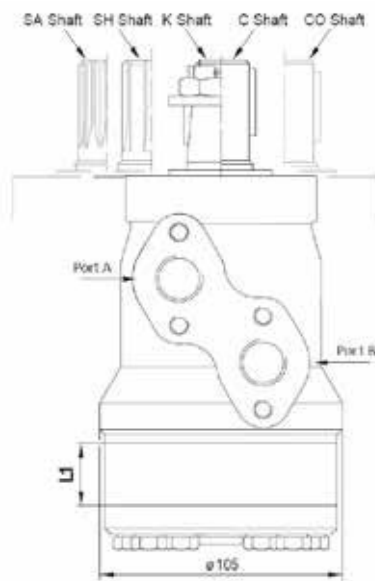


Seal Kits		Shaft Seals				Dust Seals		
Part #	List Price \$	Part #	Dimensions (mm)	Pressure Rating without Drain Line	List Price \$	Part #	Dimensions (mm)	List Price \$
MR-SKD	110.00	MP015V002	28.56 x 42 x 5.5	150 bar ≤100rpm	50.00	MP013V021	28.5 x 35 x 2	20.00
MRQ-SKD	110.00							
MR-SKU	110.00	MP015V048	28.56 x 42 x 5.5	200 bar ≤200rpm	50.00			
MRQ-SKU	110.00							
MR-SKB	110.00	MP015V006	35 x 48 x 5.5	100 bar ≤100rpm	50.00	MP013V022	35 x 42 x 2	20.00

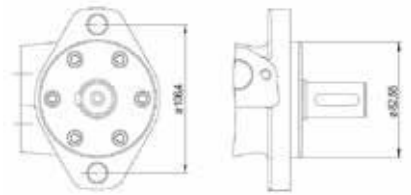
MR Standard HP Series



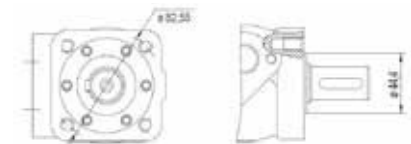
MRQ MRQ Series



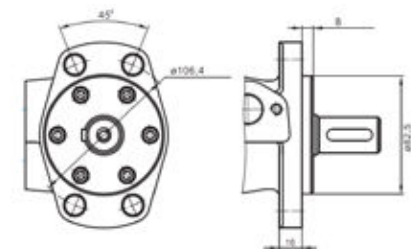
- Standard Mount SAE A 2-bolt



Q Q Mount M10 4-bolt



F Magneto 4-bolt Mount



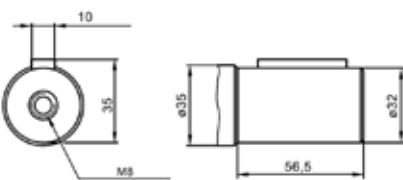
CO 1" Straight Keyed Shaft



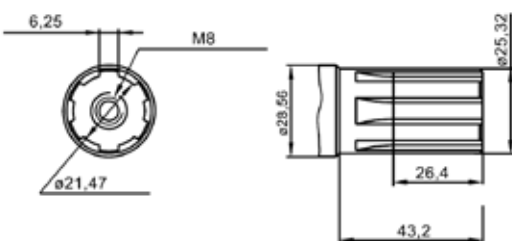
C 25mm Straight Keyed Shaft



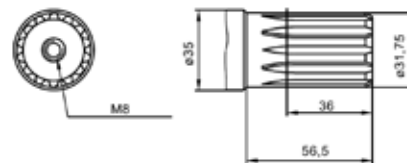
CB 32mm Straight Keyed Shaft



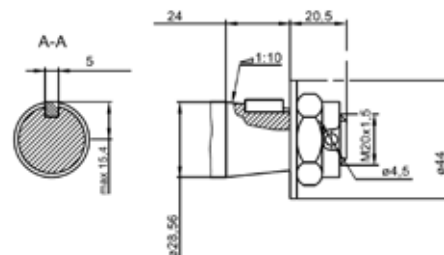
SH 1" 6B Splined Shaft



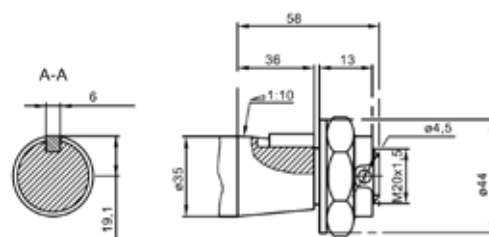
HB 1.1/4" 14T Splined Shaft



K 28.56mm 1:10 Tapered Shaft



KB 35mm 1:10 Tapered Shaft



MLHR Series Geroler Motor

Standard Pricing: Shaft 1" Straight Keyed, Mount SAE A 2-bolt, Ports 7/8" UNF, Case 7/16" UNF

Part #	List Price \$	DISPLACEMENT	ROTOR	SPEED	FLOW	PRESSURE DROP	INLET PRESSURE	TORQUE	WEIGHT
		(cc)	Width L1 (mm)	Max. Cont. (RPM)	Max. Cont. (LPM)	Max. Cont. (Bar)	Max. Cont. (Bar)	Max. Cont. (Nm)	(Kg)
MLHR 50 C4U	790.00	51.5	9	775	40	140	175	101	7.2
MLHR 80 C4U	810.00	80.3	14	750	60	175	175	195	7.4
MLHR 100 C4U	820.00	99.8	17.4	600	60	175	175	240	7.6
MLHR 125 C4U	840.00	125.7	21.8	475	60	175	175	300	7.9
MLHR 160 C4U	860.00	159.6	27.8	375	60	175	175	390	8.3
MLHR 200 C4U	890.00	199.8	34.8	300	60	140	175	385	8.6
MLHR 250 C4U	910.00	250.1	43.5	240	60	110	175	390	9
MLHR 315 C4U	930.00	315.7	54.8	190	60	90	175	390	9.5
MLHR 400 C4U	960.00	397	69.4	150	60	70	175	380	10.3

To ensure best motor life, fill with fluid and run at moderate load for 5-10 minutes

Nomenclature

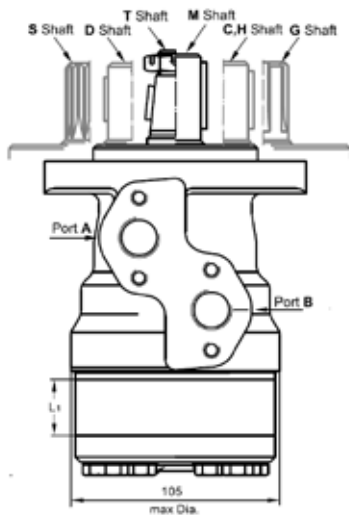
MLHR	MOUNTING			DISP.	SHAFTS			OPTIONS			PORTS			SHAFT SEALS		
Code	Description	\$	50-400cc	Code	Description	\$	Code	Description	\$	Code	Desc.	\$	Code	Description	\$	
-	SAE A 2-bolt 82.5mm spigot	-		C	1" straight keyed	-	N	Needle bearings	90	4	7/8" UNF	-	D	150 bar *	-	
Q	Square 4-bolt 44.4mm spigot	50		K	1.1/4" straight keyed	40				2	1/2" BSPP	-	U	200 bar *	-	
F	Magneto 4-bolt 82.5mm spigot	40		H	1" straight cross hole 10.5mm hole	20							UK	200 bar shaft seal + check valves *	70	
W	Wheel 4-bolt 82.5mm spigot	270		R	1.1/4" 1:8 Tapered	50										

* Refer to specifications for performance data

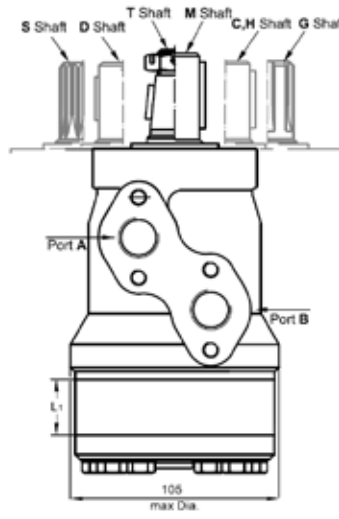


Seal Kits		Shaft Seals				Dust Seals		
Part #	List Price \$	Part #	Dimensions (mm)	Pressure Rating without Drain Line	List Price \$	Part #	Dimensions (mm)	List Price \$
MLHR-SKD	110.00	MP015V002	28.56 x 42 x 5.5	150 bar ≤100rpm	50.00	MP013V038	28.5 x 35 x 2	20.00
MLHRQ-SKD	110.00							
MLHR-SKU	110.00	MP015V048	28.56 x 42 x 5.5	200 bar ≤200rpm	50.00			
MLHRQ-SKU	110.00							
MLHRW-SKB	110.00	MP015V006	35 x 48 x 5.5	100 bar ≤100rpm	50.00	MP013V022	35 x 42 x 2	20.00

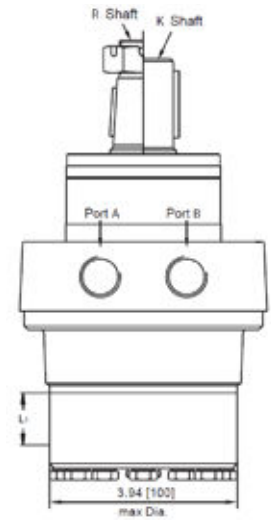
MLHR MLHR/MLHRF Series



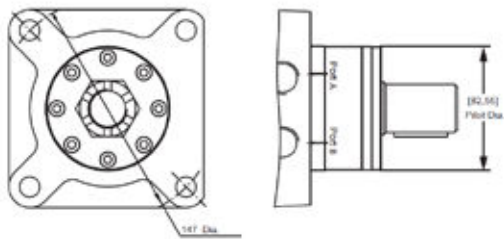
MLHRQ MLHRQ/MLHRM Series



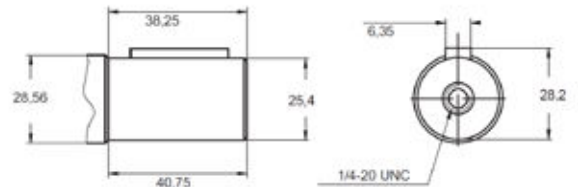
MLHRW MLHRW Series



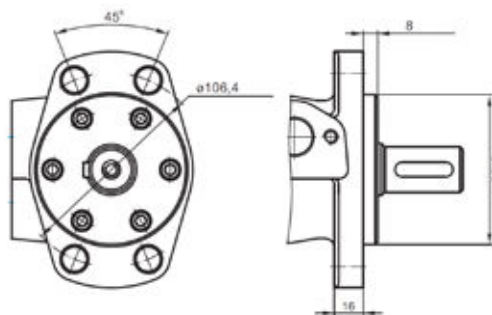
W Wheel Mount 4-bolt



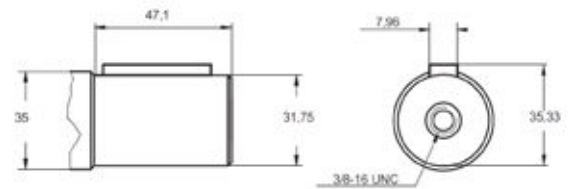
C 1" Straight Keyed Shaft



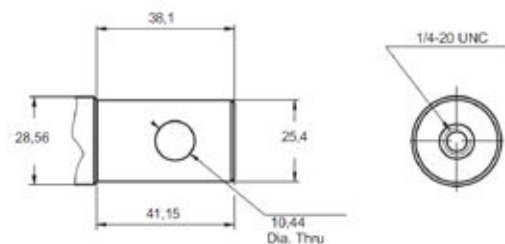
F Magneto Mount, Oval 4-bolt



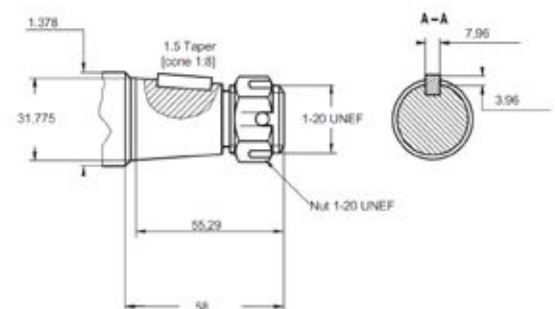
K 1.1/4" Straight Keyed Shaft



H 1" Straight 10.5mm Cross Hole



R 1.1/4" 1:8 Tapered Shaft



HR Series Geroler Motor

Standard Pricing: Shaft 1" Woodruff Keyed, Mount SAE A 2-bolt, Ports 7/8" UNF, Case 7/16" UNF

Part #	List Price \$	DISPLACEMENT	ROTOR	SPEED	FLOW	PRESSURE DROP	INLET PRESSURE	TORQUE	WEIGHT
		(cc)	Width L1 (mm)	Max. Cont. (RPM)	Max. Cont. (LPM)	Max. Cont. (Bar)	Max. Cont. (Bar)	Max. Cont. (Nm)	(Kg)
HR 50 C4UE	790.00	51.5	9	777	40	140	140	98	6.6
HR 80 C4UE	810.00	80.3	14	747	60	140	140	160	6.7
HR 100 C4UE	820.00	99.8	17.4	601	60	140	140	195	7
HR 125 C4UE	840.00	122.5	17.4	490	60	140	140	240	7.1
HR 160 C4UE	860.00	153.6	21.8	391	60	140	140	300	7.3
HR 200 C4UE	890.00	195.8	27.8	306	60	130	140	350	7.8
HR 250 C4UE	910.00	245	34.8	245	60	110	140	370	8.2
HR 315 C4UE	930.00	306	43.5	196	60	100	140	420	8.9
HR 400 C4UE	960.00	386	54.8	155	60	85	140	450	9.6

To ensure best motor life, fill with fluid and run at moderate load for 5-10 minutes

Nomenclature

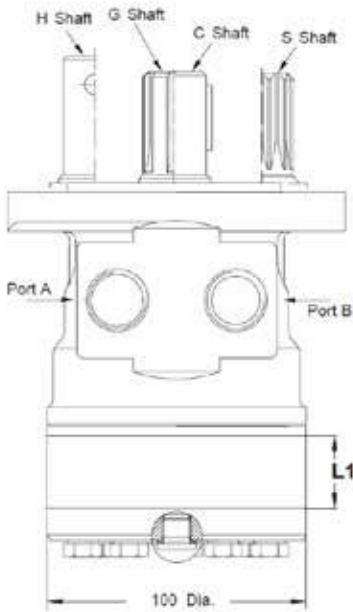
HR	MOUNTING			OPTIONS			DISP.	SHAFTS			PORTS			SHAFT SEALS		
Code	Description	\$	Code	Description	\$	50-400cc	Code	Description	\$	Code	Description	\$	Code	Description	\$	
-	SAE A 2-bolt 82.5mm spigot	-	N	Needle bearings	90		C	1" straight woodruff keyed	-	4	Side ports 7/8" UNF	-	U	200 bar *	-	
Q	Square 4-bolt 44.4mm spigot	50					CW	25mm straight keyed	20	1	Manifold ports	30	V	150 bar viton *	100	
							G	1" SAE 6B splined	20							
							S	7/8" 13T splined	20							
							H	1" straight keyed 8mm cross hole	20							
							HPE	1" straight keyed 10.3mm cross hole	50							
							TE	1" 1:8 tapered	50							

* Refer to specifications for performance data

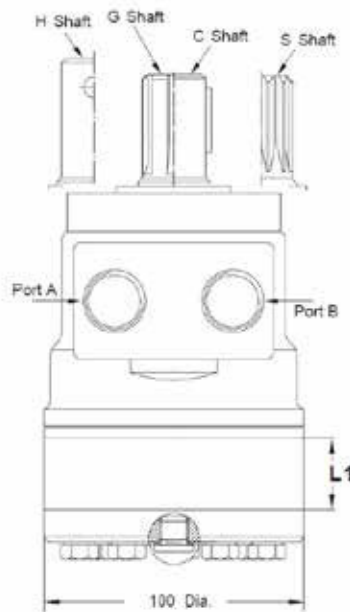


Seal Kits		Shaft Seals				Dust Seals		
Part #	List Price \$	Part #	Dimensions (mm)	Pressure Rating without Drain Line	List Price \$	Part #	Dimensions (mm)	List Price \$
HR-SKD	110.00	* contact nearest branch for details *						
HRQ-SKD	110.00							
HRQ-SKUE	110.00							
HR-SKUE	110.00	MP015V036	28.56 x 38 x 4.8	200 bar ≤200rpm	70.00	MP013V021	35 x 28.5 x 2	20.00

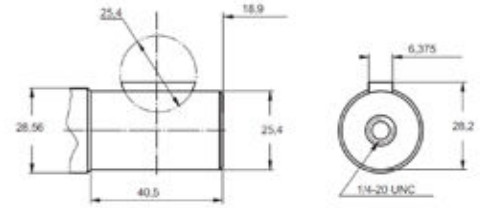
HR Standard HR Series



HRQ HRQ Series



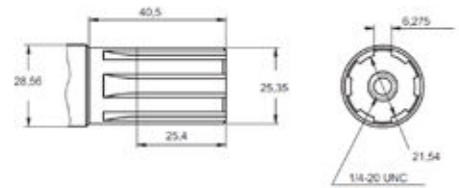
C 1" Straight Woodruff Keyed Shaft



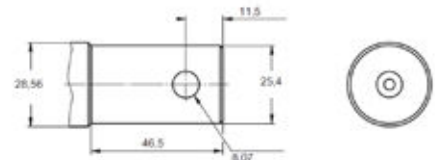
CW 25mm Straight Keyed Shaft



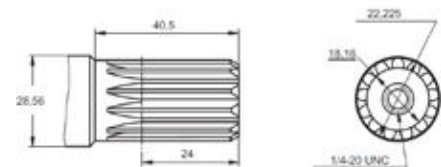
G 1" SAE 6B Splined Shaft



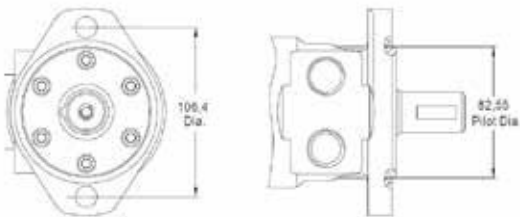
H 1" Straight Keyed 8mm Cross Hole



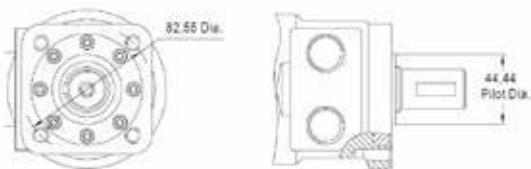
S 7/8" 13T Splined Shaft



- Standard Mount SAE A 2-bolt



Q Q Mount 3/8" UNC 4-bolt



RL Series Geroler Motor

Standard Pricing: Shaft 1" Straight Keyed, Mount SAE A 4-bolt, Ports 1/2" BSPP, Case 1/4" BSPP

Part #	List Price \$	DISPLACEMENT	ROTOR	SPEED	FLOW	PRESSURE DROP	INLET PRESSURE	TORQUE	WEIGHT
		(cc)	Width L1 (mm)	Max. Cont. (RPM)	Max. Cont. (LPM)	Max. Cont. (Bar)	Max. Cont. (Bar)	Max. Cont. (Nm)	(Kg)
RL 50 COU	960.00	51.5	9	775	40	140	175	100	8.5
RL 80 COU	990.00	80.3	14	750	60	175	175	195	8.6
RL 100 COU	1000.00	99.8	17.4	600	60	175	175	240	8.9
RL 125 COU	1030.00	125.7	21.8	475	60	175	175	300	9
RL 160 COU	1050.00	159.6	27.8	375	60	175	175	380	9.2
RL 200 COU	1080.00	199.8	34.8	300	60	175	175	450	9.6
RL 250 COU	1100.00	250.1	43.5	240	60	175	175	540	10.1
RL 315 COU	1130.00	315.7	54.8	190	60	135	175	550	10.8
RL 400 COU	1160.00	397	69.4	150	60	110	175	610	11.5

To ensure best motor life, fill with fluid and run at moderate load for 5-10 minutes

Nomenclature

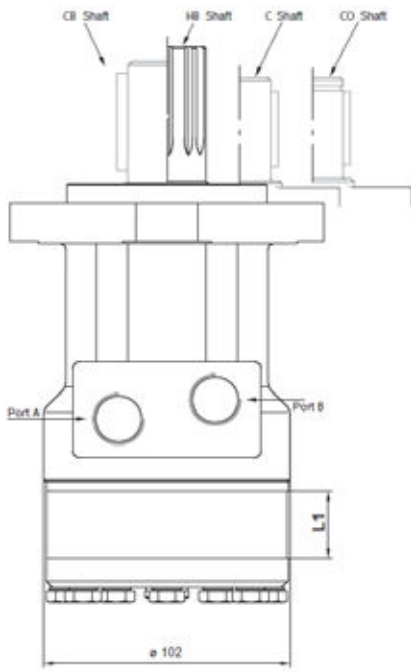
RL	MOUNTING			DISP.	SHAFTS			PORTS			SHAFT SEALS		
Code	Description	\$	50-400cc	Code	Description	\$	Code	Description	\$	Code	Description	\$	
A	SAE A 2-bolt 82.5mm spigot	20		CO	1" straight keyed	-	-	1/2" BSPP	-	U	200 bar *	-	
Q	Square 4-bolt 44.4mm spigot	30		C	25mm straight keyed	-	4	7/8" UNF	-	V	100 bar viton *	100	
F	Magneto 4-bolt 82.5mm spigot	40		CB	32mm straight keyed	50							
-	SAE A 4-bolt 82.5mm spigot	-		SH	1" 6B splined	20							
				HB	1.1/4" 14T splined	80							
				KB	35mm 1:10 tapered	60							

* Refer to specifications for performance data

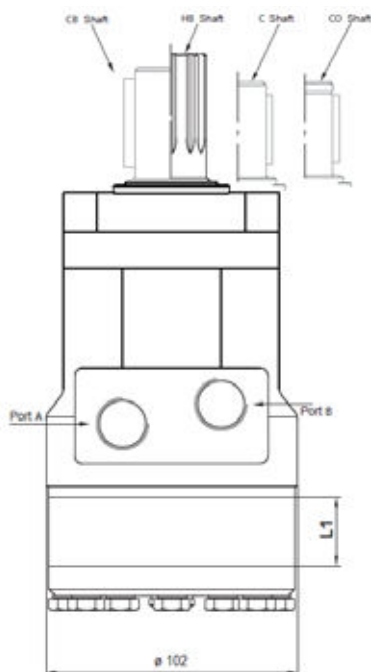


Seal Kits		Shaft Seals				Dust Seals		
Part #	List Price \$	Part #	Dimensions (mm)	Pressure Rating without Drain Line	List Price \$	Part #	Dimensions (mm)	List Price \$
RL-SKU	110.00	MP015V039	35 x 48 x 5.5	100 bar ≤100rpm	50.00	MP013V022	35 x 42 x 2	20.00

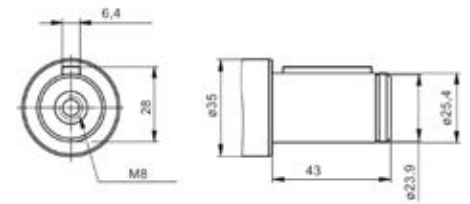
RL Standard RL Series



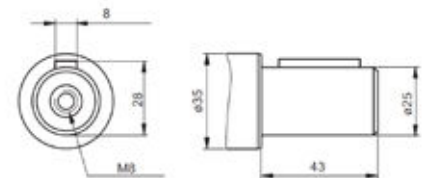
RLQ RLQ Series



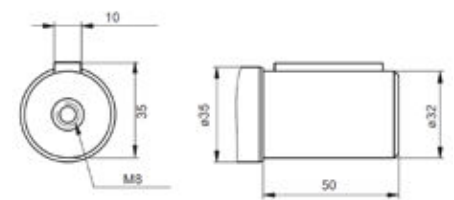
CO 1" Straight Keyed Shaft



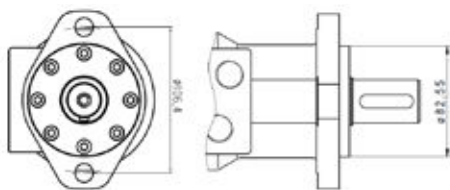
C 25mm Straight Keyed Shaft



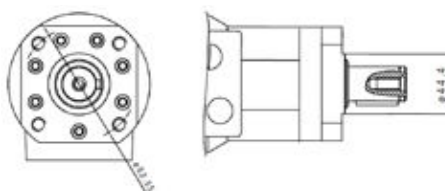
CB 32mm Straight Keyed Shaft



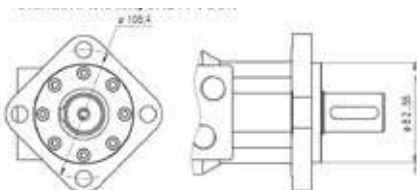
A A Mount SAE A 2-bolt



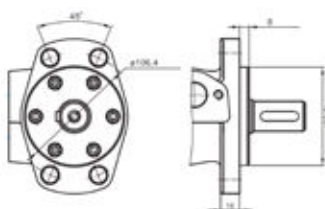
Q Q Mount M10 4-bolt



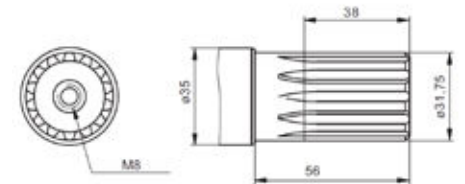
- Standard Mount SAE A 4-bolt



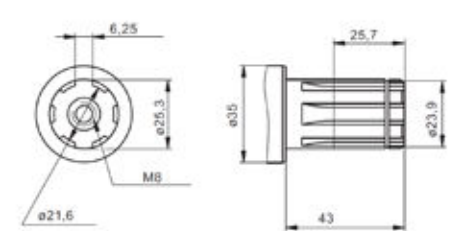
F Magneto Mount 4-bolt



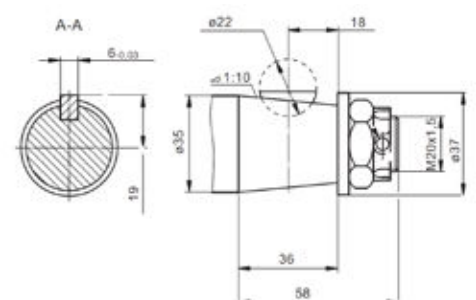
HB 1.1/4" 14T Splined Shaft



SH 1" 6B Splined Shaft



KB 35mm 1:10 Tapered Shaft



MH Series Geroler Motor

Standard Pricing: Shaft 32mm Straight Keyed, Mount Magneto 4-bolt, Ports 1/2" BSPP, Case 1/4" BSPP

Part #	List Price \$	DISPLACEMENT	ROTOR	SPEED	FLOW	PRESSURE DROP	INLET PRESSURE	TORQUE	WEIGHT
		(cc)	Width L1 (mm)	Max. Cont. (RPM)	Max. Cont. (LPM)	Max. Cont. (Bar)	Max. Cont. (Bar)	Max. Cont. (Nm)	(Kg)
MH 200 CU	1060.00	201.3	27.8	370	75	175	200	510	10.5
MH 250 CU	1090.00	252	34.8	295	75	175	200	610	11
MH 315 CU	1120.00	314.9	43.5	235	75	175	200	740	11.5
MH 400 CU	1150.00	396.8	54.8	185	75	155	200	840	12.3
MH 500 CU	1270.00	502.4	69.4	150	75	125	200	820	13

To ensure best motor life, fill with fluid and run at moderate load for 5-10 minutes

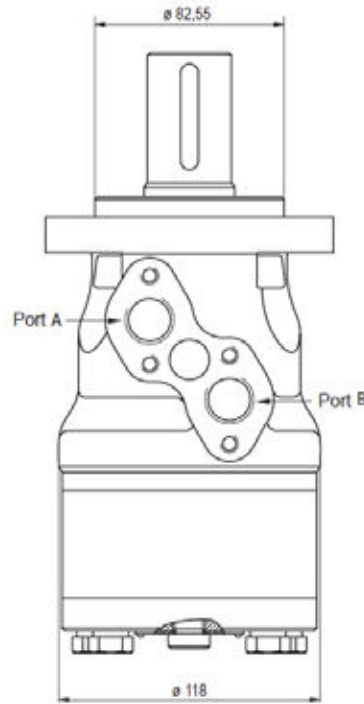
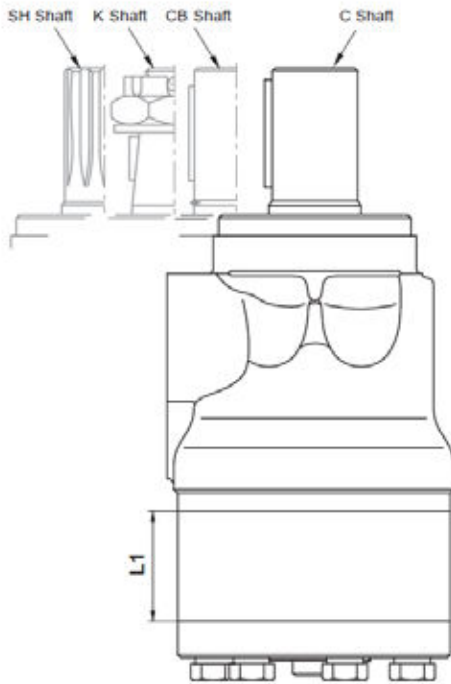
Nomenclature

MH	MOUNTING			DISP.	SHAFTS			PORTS			SHAFT SEALS		
Code	Description	\$	200-500cc	Code	Description	\$	Code	Description	\$	Code	Description	\$	
-	Magneto 4-bolt 82.5mm spigot	-		C	32mm straight keyed	-	-	Side ports 1/2" BSPP	-	U	150 bar *	-	
				CB	35mm straight keyed	40	*	Side ports 7/8" UNF	-	* Refer to specifications for performance data			
				SH	1.1/4" 14T splined	30				* Contact office			
				K	35mm 1:10 tapered	40							

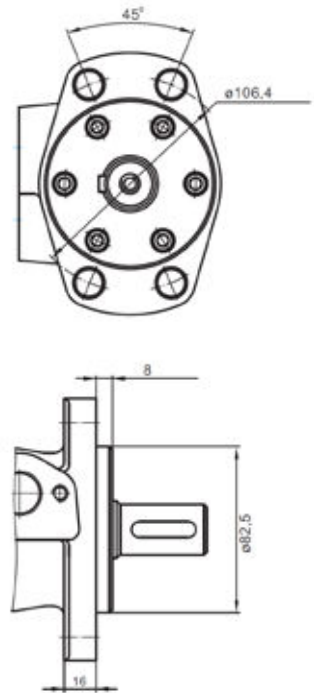


Seal Kits		Shaft Seals				Dust Seals		
Part #	List Price \$	Part #	Dimensions (mm)	Pressure Rating without Drain Line	List Price \$	Part #	Dimensions (mm)	List Price \$
MH-SKD	110.00	MP015V006	35 x 48 x 5.5	100 bar ≤100rpm	50.00	MP013V022	35 x 42 x 2	20.00
MH-SKU	110.00	MP015V039	35 x 48 x 5.5	150 bar ≤200rpm	50.00			

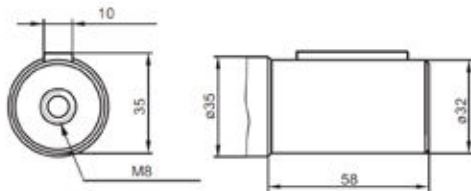
MH Standard MH Series



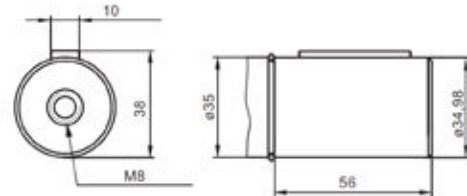
- Magneto 4-bolt Mount



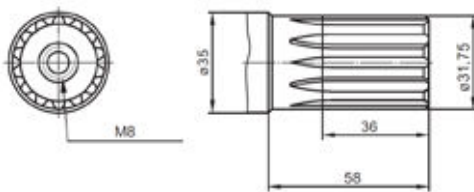
C 32mm Straight Keyed Shaft



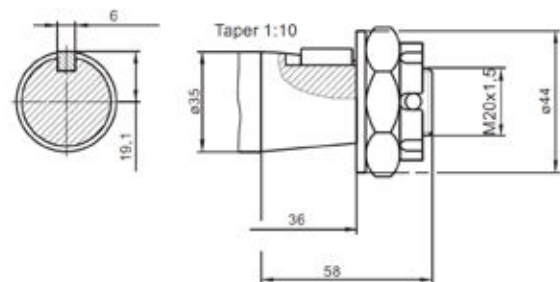
CB 35mm Straight Keyed Shaft



SH 1.1/4" 14T Splined Shaft



K 35mm 1:10 Tapered Shaft



HYDRAULIC MOTORS

GEROLER MOTORS - MLHH Series

MLHH Series Geroler Motor

Standard Pricing: Shaft 1.1/4" Straight Keyed, Mount Magneto 4-bolt, Ports 7/8"-1.4 UNF, Case 7/16" BSPP

Part #	List Price \$	DISPLACEMENT	ROTOR	SPEED	FLOW	PRESSURE DROP	INLET PRESSURE	TORQUE	WEIGHT
		(cc)	Width L1 (mm)	Max. Cont. (RPM)	Max. Cont. (LPM)	Max. Cont. (Bar)	Max. Cont. (Bar)	Max. Cont. (Nm)	(Kg)
NEW MLHH 200 K4U	1060.00	201.3	27.8	370	75	175	200	510	10.5
NEW MLHH 250 K4U	1090.00	252.0	34.8	295	75	175	200	610	11.0
NEW MLHH 315 K4U	1120.00	314.9	43.5	235	75	175	200	740	11.5
NEW MLHH 400 K4U	1150.00	396.8	54.8	185	75	155	200	840	12.3
NEW MLHH 500 K4U	1270.00	502.4	69.4	150	75	120	200	820	13.0

To ensure best motor life, fill with fluid and run at moderate load for 5-10 minutes

Nomenclature

MLHH	MOUNTING			DISP.	SHAFTS			PORTS			SHAFT SEALS		
Code	Description	\$	200-500cc	Code	Description	\$	Code	Description	\$	Code	Description	\$	
-	Magneto 4-bolt	-		K	1.1/4" straight keyed	-	4	7/8-1.4 UNF	-	U	150 bar *	-	
				L	1.1/4" 14T splined	30							

* Refer to specifications for performance data



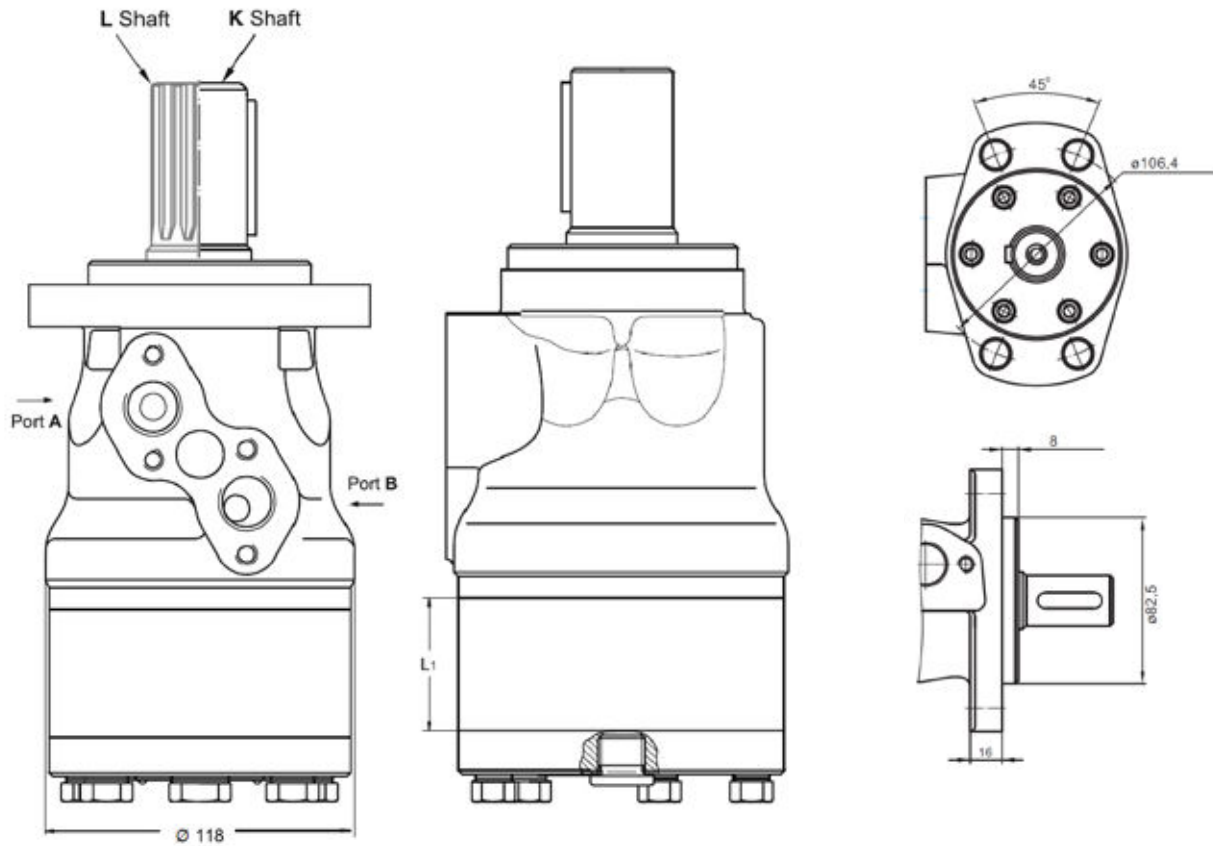
Seal Kits		Shaft Seals				Dust Seals		
Part #	List Price \$	Part #	Dimensions (mm)	Pressure Rating without Drain Line	List Price \$	Part #	Dimensions (mm)	List Price \$
MH-SKD	110.00	MP015V006	35 x 48 x 5.5	100 bar ≤100rpm	50.00	MP013V022	35 x 42 x 2	20.00
MH-SKU	110.00	MP015V039	35 x 48 x 5.5	150 bar ≤200rpm	50.00			

MLHH

Standard ML Series

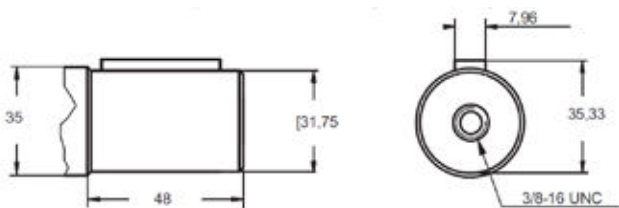
-

Magneto 4-bolt Mount



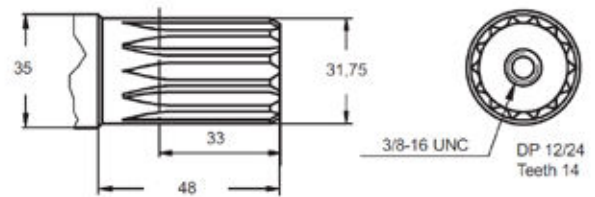
K

1.1/4" Straight Keyed Shaft



L

1.1/4" 14T Splined Shaft



RW Series Geroler Motor

Standard Pricing: Shaft 35mm 1:10 Taper, Mount Wheel 4-bolt, Ports 1/2" BSPP, Case 1/4" BSPP

Part #	List Price \$	DISPLACEMENT	ROTOR	SPEED	FLOW	PRESSURE DROP	INLET PRESSURE	TORQUE	WEIGHT
		(cc)	Width L1 (mm)	Max. Cont. (RPM)	Max. Cont. (LPM)	Max. Cont. (Bar)	Max. Cont. (Bar)	Max. Cont. (Nm)	(Kg)
RW 50 KB	1080.00	51.5	9	775	40	140	175	100	9.6
RW 80 KB	1100.00	80.3	14	750	60	175	175	200	9.7
RW 100 KB	1120.00	99.8	17.4	600	60	175	175	240	9.8
RW 125 KB	1140.00	125.7	21.8	475	60	175	175	300	10
RW 160 KB	1160.00	159.6	27.8	375	60	175	175	390	10.3
RW 200 KB	1200.00	199.8	34.8	300	60	175	175	450	10.8
RW 250 KB	1220.00	250.1	43.5	300	75	175	175	540	11.3
RW 315 KB	1240.00	315.7	54.8	240	75	135	175	550	11.8
RW 400 KB	1280.00	397	69.4	190	75	110	175	610	12.5

To ensure best motor life, fill with fluid and run at moderate load for 5-10 minutes

Nomenclature

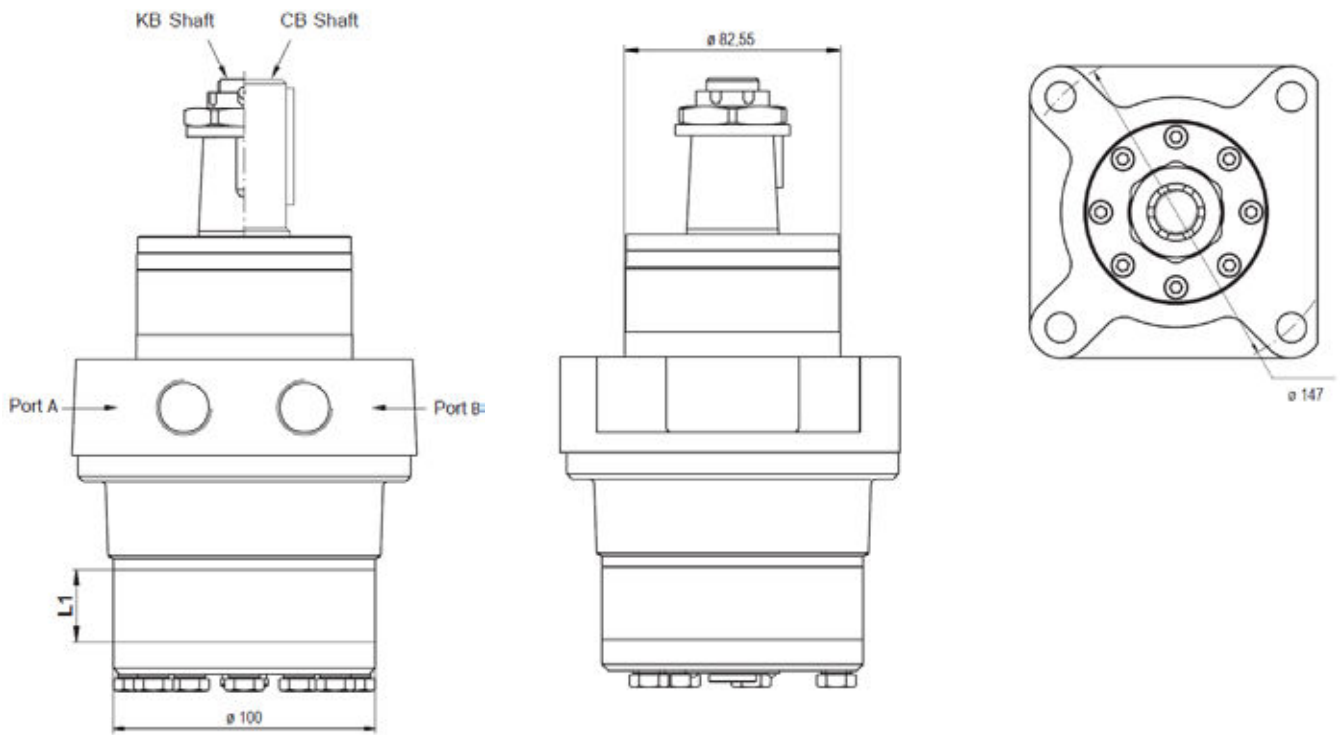
RW	DISPLACEMENT	SHAFTS			PORTS			SHAFT SEALS		
	50-400cc	Code	Description	\$	Code	Description	\$	Code	Description	\$
		KB	35mm 1:10 tapered	-	-	Side ports 1/2" BSPP	-	UK	200 bar shaft seal check valves *	70
		CB	32mm straight keyed	-	-	For UNF ports, see MLHRW model	-			

* Refer to specifications for performance data

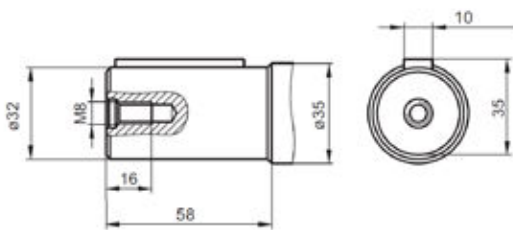


Seal Kits		Shaft Seals				Dust Seals		
Part #	List Price \$	Part #	Dimensions (mm)	Pressure Rating without Drain Line	List Price \$	Part #	Dimensions (mm)	List Price \$
RW-SKU	110.00	MP015V039	35 x 48 x 5.5	200 bar ≤150rpm	50.00	MP013V022	35 x 42 x 2	20.00

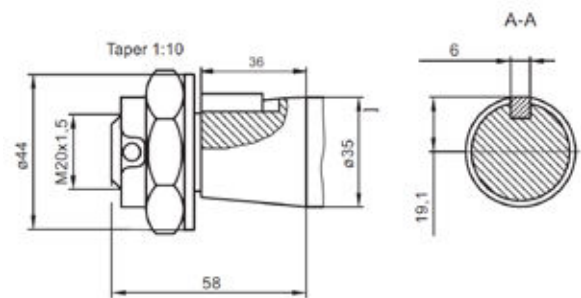
RW Standard RW Series



CB 32mm Straight Keyed Shaft



KB 35mm 1:10 Tapered Shaft



HW Series Heavy Duty Motor

Standard Pricing: Shaft 1.1/4" Straight Keyed, Mount Wheel 4-bolt, Ports 7/8" UNF, Case 7/16" UNF

Part #	List Price \$	DISPLACEMENT	ROTOR	SPEED	FLOW	PRESSURE DROP	INLET PRESSURE	TORQUE	WEIGHT
		(cc)	Width L1 (mm)	Max. Cont. (RPM)	Max. Cont. (LPM)	Max. Cont. (Bar)	Max. Cont. (Bar)	Max. Cont. (Nm)	(Kg)
HWS 125 K4	1430.00	126	17.4	357	45	205	210	350	14.5
HWS 160 K4	1440.00	157.8	21.8	380	60	205	210	440	15
HWS 200 K4	1450.00	201.3	27.8	373	75	205	210	550	15.5
HWS 235 K4	1480.00	235.3	32.5	319	75	205	210	645	16
HWS 250 K4	1490.00	252	34.8	298	75	205	210	690	16
HWS 300 K4	1530.00	300	41.4	250	75	205	210	810	16.5
HWS 315 K4	1540.00	314.9	43.5	238	75	205	210	850	16.5
HWS 350 K4	1560.00	347.8	48	216	75	205	210	940	17
HWS 370 K4	1570.00	369.2	51	203	75	200	210	960	17
HWS 400 K4	1590.00	396.8	54.8	189	75	185	210	960	17.5
HWS 470 K4	1690.00	470.6	65	159	75	150	210	920	18.3
HWS 500 K4	1740.00	502.4	69.4	149	75	140	210	910	18.6
HWS 535 K4	1770.00	535	74.1	140	75	130	210	900	19
HWS 550 K4	1800.00	550	76	136	75	125	210	890	19.1
HWS 600 K4	2020.00	598.8	82.6	125	75	115	210	910	20.1

To ensure best motor life, fill with fluid and run at moderate load for 5-10 minutes

Nomenclature

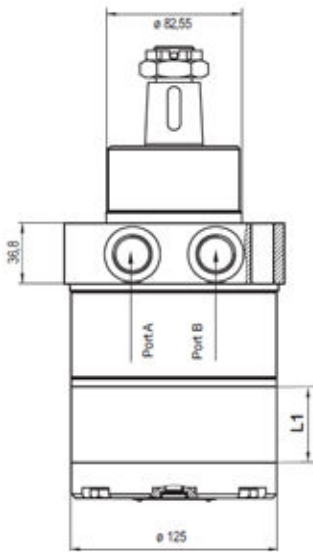
HW	MOUNTING			DISP.	SHAFTS			PORTS			SHAFT SEALS		
	Code	Description	\$	125-600cc	Code	Description	\$	Code	Description	\$	Code	Description	\$
	S	Wheel mount 82.55mm spigot	-		CO	25mm straight keyed	-	4	Side ports 7/8" UNF	-	V	150 bar viton *	100
	F	Magneto 6-bolt 82.55mm spigot	20		CO1	1" straight keyed	-						
					SH	1" 6B splined	20						
					R	1.1/4" 1:8 tapered	50						
					RG	1.3/8" 1:8 tapered	70						
					T	1.1/2" 1:8 tapered	20						
					L	1.1/4" 14T splined	30						
					K	1.1/4" straight keyed	-						
					M	32mm straight keyed	-						

* Refer to specifications for performance data

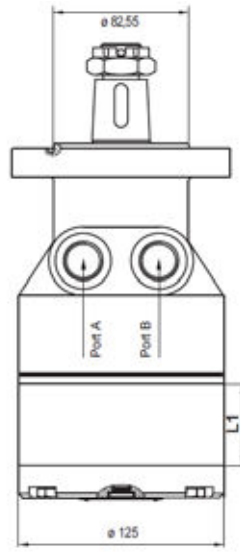


Seal Kits		Shaft Seals				Dust Seals		
Part #	List Price \$	Part #	Dimensions (mm)	Pressure Rating without Drain Line	List Price \$	Part #	Dimensions (mm)	List Price \$
HW-SK	180.00	MP015V070	38.1 x 50 x 5.5	150 bar ≤70rpm	140.00	MP013V027	38.1 x 48 x 2	30.00

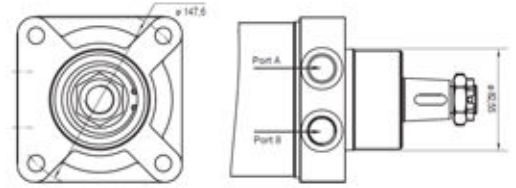
HWS Dingo Design Wheel Mount



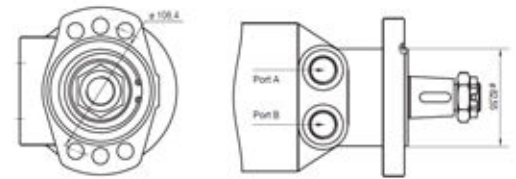
HWF Magneto Mount



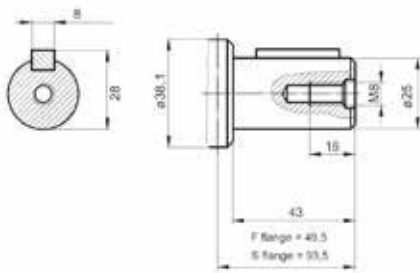
S Wheel Mount 4-bolt



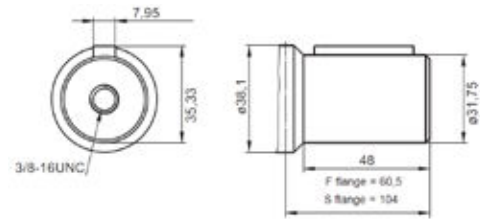
F Magneto Mount, Oval 6-bolt



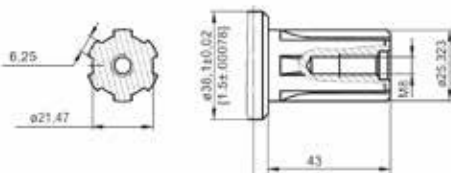
CO 25mm Straight Keyed Shaft



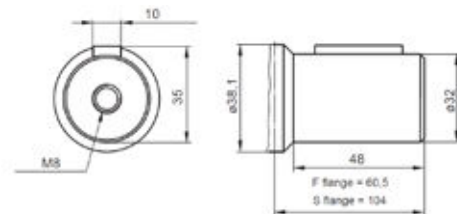
K 1.1/4" Straight Keyed Shaft



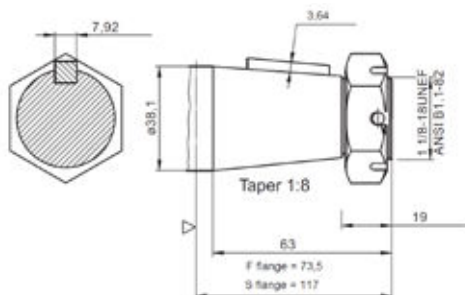
SH 1" 6B Splined Shaft



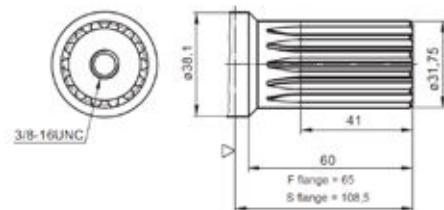
M 32mm Straight Keyed Shaft



R 1.1/4" 1:8 Tapered Shaft



L 1.1/4" 14T Splined Shaft



MS Series Disc Valve Motor

Standard Pricing: Shaft 1.1/4" Straight Keyed, Mount SAE A 4-bolt, Ports 1/2" BSPP, Case 1/4" BSPP

Part #	List Price \$	DISPLACEMENT	ROTOR	SPEED	FLOW	PRESSURE DROP	INLET PRESSURE	TORQUE	WEIGHT
		(cc)	Width L1 (mm)	Max. Cont. (RPM)	Max. Cont. (LPM)	Max. Cont. (Bar)	Max. Cont. (Bar)	Max. Cont. (Nm)	(Kg)
MS 80 COU	1230.00	80.5	14	810	65	210	230	240	10.4
MS 100 COU	1240.00	100	17.4	750	75	210	230	305	10.6
MS 125 COU	1270.00	125.7	21.8	600	75	210	230	375	10.9
MS 160 COU	1290.00	159.7	27.8	470	75	210	230	490	11.3
MSY 200 COU	1320.00	200	34.8	375	75	210	230	610	11.7
MSY 250 COU	1340.00	250	43.5	300	75	200	230	720	12.2
MSY 315 COU	1410.00	314.9	54.8	240	75	200	230	825	12.9
MSY 400 COU	1480.00	397	69.4	190	75	160	230	865	13.8
MSY 475 COU	1940.00	474.6	82.6	160	75	130	230	850	14.9
MS 525 COU	1970.00	522.7	74.5	145	75	115	230	850	15.1
MS 565 COU	2010.00	564.9	80.2	130	75	105	230	850	15.5

To ensure best motor life, fill with fluid and run at moderate load for 5-10 minutes

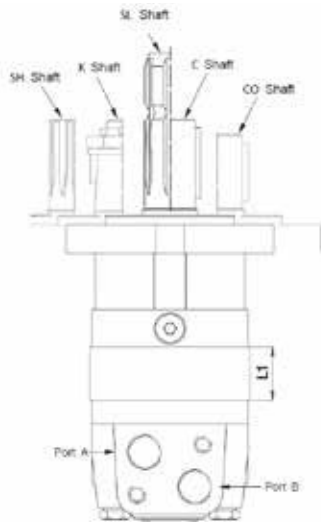
Nomenclature

MS/MSY	MOUNTING			DISP.	SHAFTS			SHAFT SEAL			SPEED SENSORS		
	Code	Description	\$		Code	Description	\$	Code	Description	\$	Code	Description	\$
MSY used for 200-475cc	-	SAE A 4-bolt 82.5mm spigot	-	80-565cc	CO	1.1/4" straight keyed	-	U	150 bar *	-	RSSH	Speed sensor universal plug type	420
	A	SAE A 2-bolt 82.5mm spigot	20		C	32mm straight keyed	-				RSSHLS	Speed sensor universal 5m lead	430
	Q	Square 4-bolt 82.5mm spigot	30		SH	1.1/4" 14T splined	50				* Refer to specifications for performance data		
	F	Magneto 4-bolt 82.5mm spigot	70		SL	1.3/8" 6T splined PTO	60						
	W	Wheel mount 125mm spigot	70		K	35mm 1:10 tapered	40						
	S	Short motor 100mm spigot	Minus 200		T	1.1/4" 1:8 tapered	50						

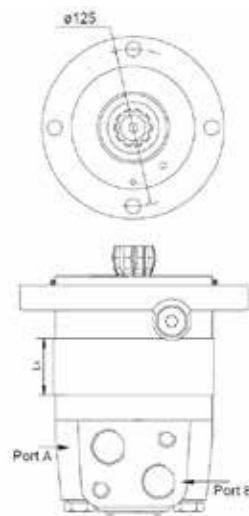


Seal Kits		Shaft Seals				Dust Seals		
Part #	List Price \$	Part #	Dimensions (mm)	Pressure Rating without Drain Line	List Price \$	Part #	Dimensions (mm)	List Price \$
MS-SKD	140.00	MP015V006	35 x 48 x 5.5	100 bar ≤100rpm	50.00	MP013V022	35 x 42 x 2	20.00
MS-SKU	140.00	MP015V039	35 x 48 x 5.5	150 bar ≤200rpm	50.00			
MSY-SKU	140.00							
MSS-SK	60.00							
MSU-SK	60.00							

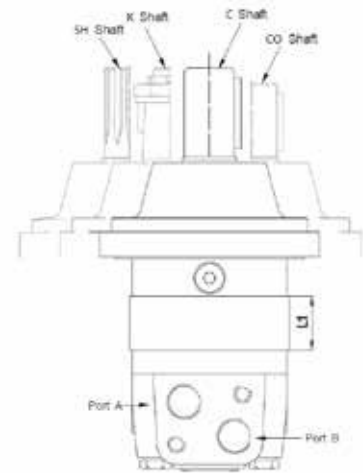
MS Standard MS Series



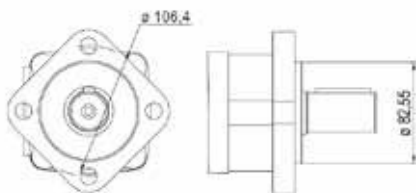
S Short Motor MSS Series



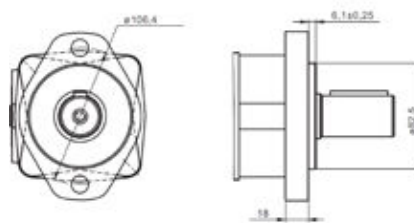
W Wheel Mount MSW Series



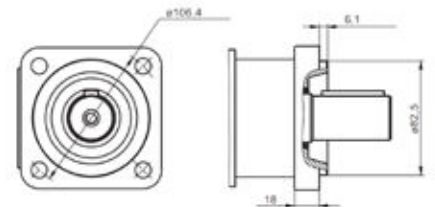
- Standard Mount SAE 4-bolt



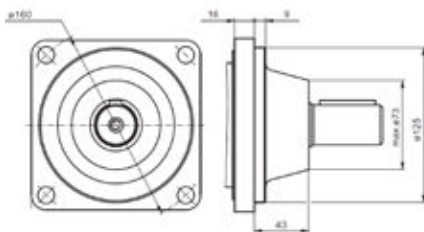
A SAE 2-bolt Mount



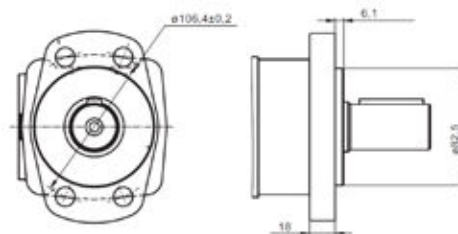
Q Square 4-bolt Mount



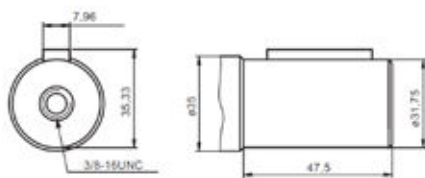
W Wheel Mount 4-bolt



F Magneto 4-bolt Mount



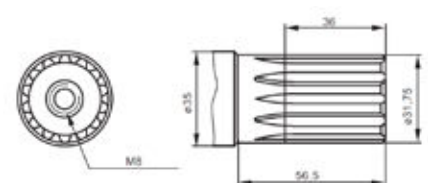
CO 1.1/4" Straight Keyed Shaft



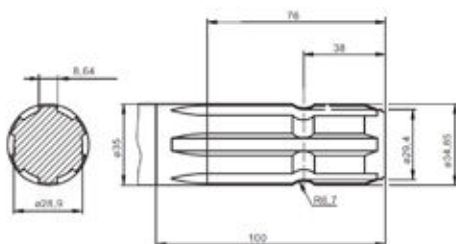
C 32mm Straight Keyed Shaft



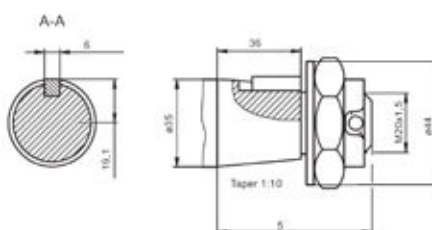
SH 1.1/4" 14T Splined Shaft



SL 1.3/8" 6T Splined PTO



K 35mm 1:10 Tapered Shaft



MLHS Series Disc Valve Motor

Standard Pricing: Shaft 1.1/4" Straight Keyed, Mount SAE A 4-bolt, Ports 7/8" UNF, Case 7/16" UNF

Part #	List Price \$	DISPLACEMENT	ROTOR	SPEED	FLOW	PRESSURE DROP	INLET PRESSURE	TORQUE	WEIGHT
		(cc)	Width L1 (mm)	Max. Cont. (RPM)	Max. Cont. (LPM)	Max. Cont. (Bar)	Max. Cont. (Bar)	Max. Cont. (Nm)	(Kg)
MLHS 80 C4U	1230.00	80.5	14	810	65	210	230	240	10.4
MLHS 100 C4U	1240.00	100	17.4	750	75	210	230	305	10.6
MLHS 125 C4U	1270.00	125.7	21.8	600	75	210	230	375	10.9
MLHS 160 C4U	1290.00	159.7	27.8	470	75	210	230	490	11.3
MLHSY 200 C4U	1320.00	200	34.8	375	75	210	230	610	11.7
MLHSY 250 C4U	1340.00	250	43.5	300	75	200	230	720	12.2
MLHSY 315 C4U	1410.00	314.9	54.8	240	75	200	230	825	12.9
MLHSY 400 C4U	1480.00	397	69.4	190	75	160	230	865	13.8
MLHSY 475 C4U	1940.00	474.6	82.6	160	75	130	230	850	14.9
MLHS 525 C4U	1970.00	522.7	74.5	145	75	115	230	850	15.1
MLHS 565 C4U	2010.00	564.9	80.2	130	75	105	230	850	15.5

To ensure best motor life, fill with fluid and run at moderate load for 5-10 minutes

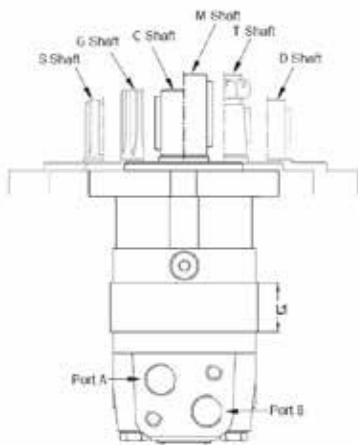
Nomenclature

MLHS/Y	MOUNTING			DISP.	SHAFTS			PORTS			SHAFT SEALS			SPEED SENSORS			
	Code	Description	\$		Code	Description	\$	Code	Desc.	\$	Code	Desc.	\$	Code	Description	\$	
MLHSY used for 200-475cc	-	SAE A 4-bolt 82.5mm spigot	-	80-565cc	C	1.1/4" straight keyed	-	4	Side ports 7/8" UNF	-	U	150 bar *	-	RS SH	Speed sensor universal	420	
	A	SAE A 2-bolt 82.5mm spigot	20		D	1" straight keyed	-	2	Side ports 1/2" BSPP	-	* Refer to specifications for performance data			RS SHLS	Speed sensor universal 5m lead	430	
	F	Magneto 4-bolt 82.5mm spigot	70		CA	25mm straight keyed	-										
	B	SAE B 2-bolt 101.6mm spigot	60		M	32mm straight keyed	-										
	E	Wheel mount 107.95mm spigot	70		SR	7/8" 13T splined	40										
					S	1" 6B splined	30										
					G	1.1/4" 14T splined	50										
					T	1.1/4" 1:8 tapered	50										
					H02D	1.1/4" straight keyed 10.3mm cross hole	130										

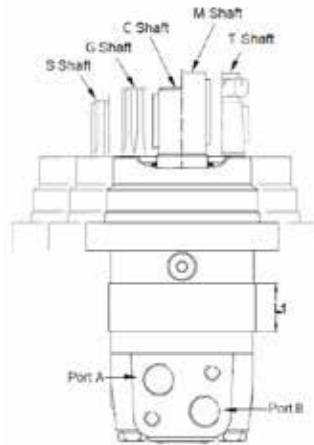


Seal Kits		Shaft Seals				Dust Seals		
Part #	List Price \$	Part #	Dimensions (mm)	Pressure Rating without Drain Line	List Price \$	Part #	Dimensions (mm)	List Price \$
MLHS-SKU	140.00	MP015V026	35 x 48 x 5.5	150 bar ≤200rpm	100.00	MP013V022	35 x 42 x 2	20.00
MLHSY-SKU	140.00							

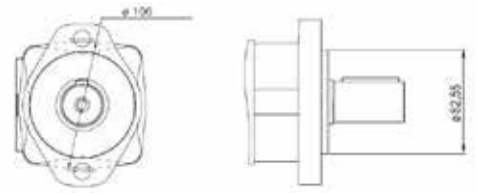
MLHS Standard MLHS Series



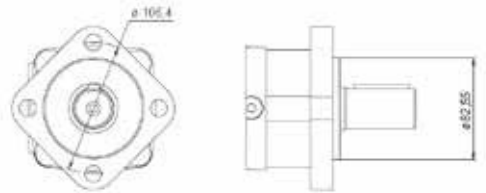
MLHSE Wheel Mount MLHSE Series



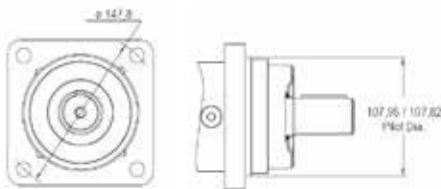
A A Mount SAE A 2-bolt



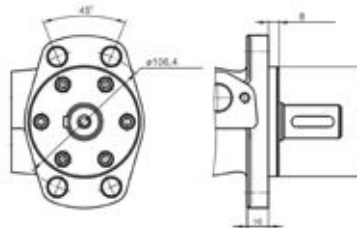
- Standard Mount SAE A 4-bolt



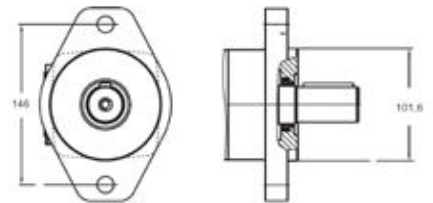
E Wheel Mount 4-bolt



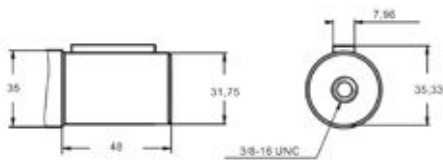
F Magneto 4-bolt Mount



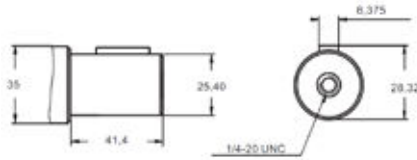
B SAE B 2-bolt Mount



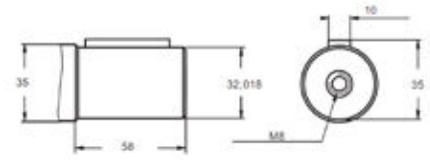
C 1.1/4" Straight Keyed Shaft



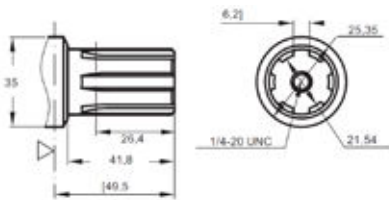
D 1" Straight Keyed Shaft



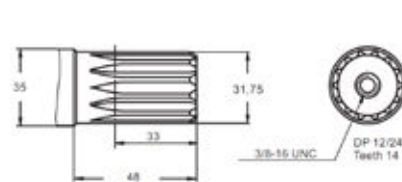
M 32mm Straight Keyed Shaft



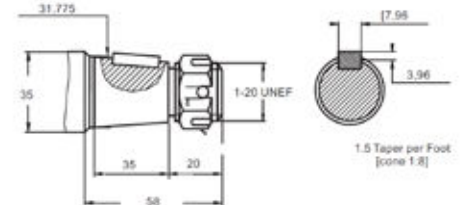
S 1" 6B Splined Shaft



G 1.1/4" 14T Splined Shaft



T 1.1/4" 1:8 Tapered Shaft



MYZ Series Disc Valve Motor

Standard Pricing: Shaft 1.1/4" Straight Keyed, Mount SAE B 4-bolt, Ports 1.1/16" UNF, Case 7/16" UNF

Part #	List Price \$	DISPLACEMENT	ROTOR	SPEED	FLOW	PRESSURE DROP	INLET PRESSURE	TORQUE	WEIGHT
		(cc)	Width L1 (mm)	Max. Cont. (RPM)	Max. Cont. (LPM)	Max. Cont. (Bar)	Max. Cont. (Bar)	Max. Cont. (Nm)	(Kg)
MYZ4B 160 DR4U	2110.00	157.9	21.8	570	90	205	210	425	15
MYZ4B 200 DR4U	2160.00	201.3	27.8	445	90	205	210	550	16
MYZ4B 250 DR4U	2220.00	252.2	34.8	355	90	205	210	700	17
MYZ4B 315 DR4U	2270.00	314.9	43.5	285	90	205	210	850	18
MYZ4B 400 DR4U	2360.00	396.8	54.8	225	90	185	210	970	19
MYZ4B 470 DR4U	2490.00	470.5	65	190	90	140	210	950	20
MYZ4B 550 DR4U	2670.00	550	76	160	90	125	210	910	22

To ensure best motor life, fill with fluid and run at moderate load for 5-10 minutes

Nomenclature

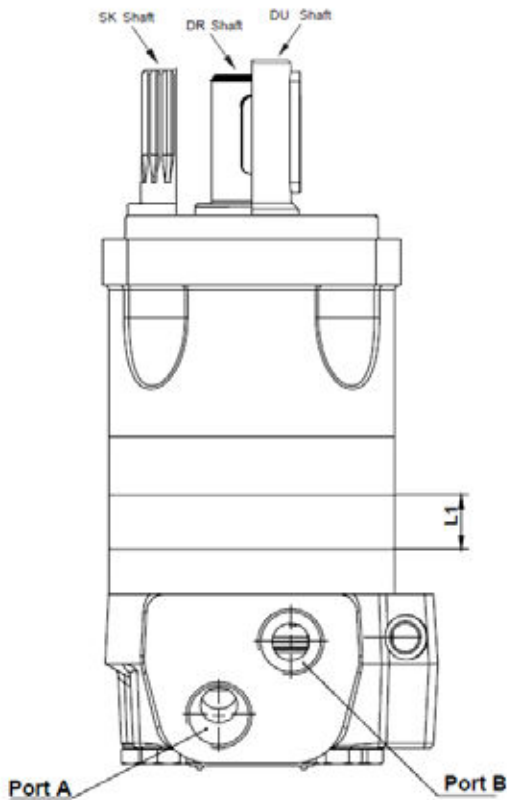
MYZ	MOUNTING			DISP.	SHAFTS			PORTS			SHAFT SEALS		
Code	Description	\$	160-550cc	Code	Description	\$	Code	Description	\$	Code	Description	\$	
4B	SAE B 4-hole 101.6mm spigot	-		DR	1.1/4" straight keyed	-	4	1.1/16" UNF	-	U	100 bar *	-	
4C	SAE C 4-hole 127mm spigot	90		DU	1.1/2" straight keyed	60							
				SK	1.1/4" 14T splined	60							
				TP	1.1/4" 1:8 tapered	50							

* Refer to specifications for performance data

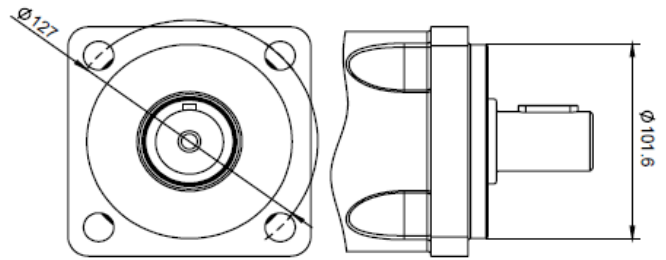


Seal Kits		Shaft Seals				Dust Seals		
Part #	List Price \$	Part #	Dimensions (mm)	Pressure Rating without Drain Line	List Price \$	Part #	Dimensions (mm)	List Price \$
MYZ-SKU	240.00	MP015V047	45 x 65 x 5.5	100 bar ≤300rpm	120.00	MP013V025	45 x 52 x 3	30.00

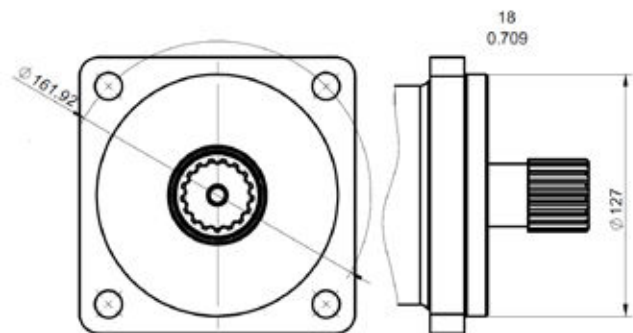
MYZ Standard MYZ4B Series



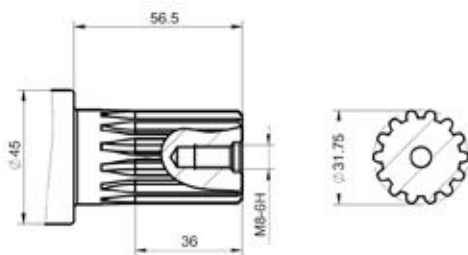
4B Mount SAE B 4-bolt



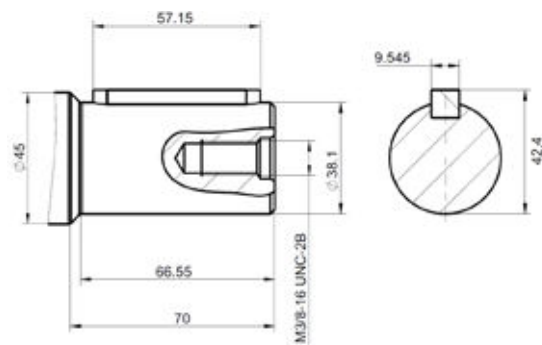
4C Mount SAE C 4-bolt



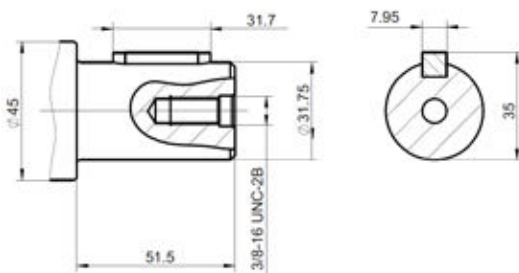
SK 1.1/4" 14T Splined Shaft



DU 1.1/2" Straight Keyed Shaft



DR 1.1/4" Straight Keyed Shaft



MT Series Disc Valve Motor

Standard Pricing: Shaft 40mm Straight Keyed, Mount 4-bolt, Ports 3/4" BSPP, Case 1/4" BSPP

Part #	List Price \$	DISPLACEMENT	ROTOR	SPEED	FLOW	PRESSURE DROP	INLET PRESSURE	TORQUE	WEIGHT
		(cc)	Width L1 (mm)	Max. Cont. (RPM)	Max. Cont. (LPM)	Max. Cont. (Bar)	Max. Cont. (Bar)	Max. Cont. (Nm)	(Kg)
MT 160 CU	2240.00	161.1	16.5	622	100	200	210	470	21
MT 200 CU	2290.00	201.4	21.5	620	125	200	210	590	21.5
MT 250 CU	2350.00	251.8	27.8	496	125	200	210	730	22
MT 315 CU	2410.00	326.3	37	382	125	200	210	950	23
MT 400 CU	2500.00	410.9	47.5	304	125	180	210	1080	24
MT 500 CU	2660.00	523.6	61.5	238	125	160	210	1220	25
MT 630 CU	3110.00	631.2	57.5	197	125	140	210	1300	25.5
MT 725 CU	3270.00	724.3	66.5	172	125	120	210	1270	26

To ensure best motor life, fill with fluid and run at moderate load for 5-10 minutes

Nomenclature

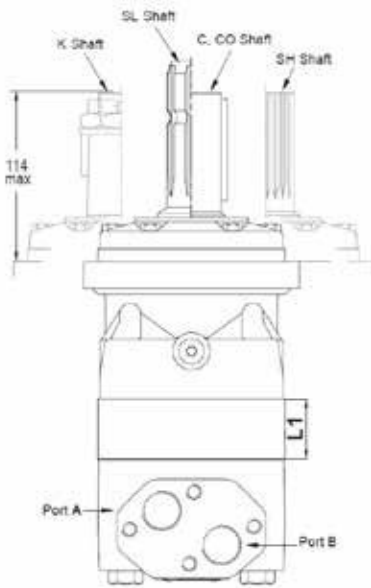
MT	MOUNTING			DISPLACEMENT	SHAFTS			SHAFT SEALS & SPEED SENSORS		
	Code	Description	\$	160-725cc	Code	Description	\$	Code	Description	\$
-	Square 4-hole 125mm spigot	-		C	40mm straight keyed	-	U	100 bar shaft seal *	-	
W	Wheel mount 160mm spigot	180		CO	1.1/2" straight keyed	-	HD	Reinforced seals	240	
S	Short motor 125mm spigot	Minus 300		SH	1.1/2" 17T splined	50	RS SH	Speed sensor universal plug type	420	
				SH-06	1.1/4" 14T splined	50	RSSHLS	Speed sensor universal 5m lead	430	
				SL	1.3/8" 6T splined PTO	130	T	Tacho connection	540	
				K	45mm 1:10 tapered	70				

* Refer to specifications for performance data

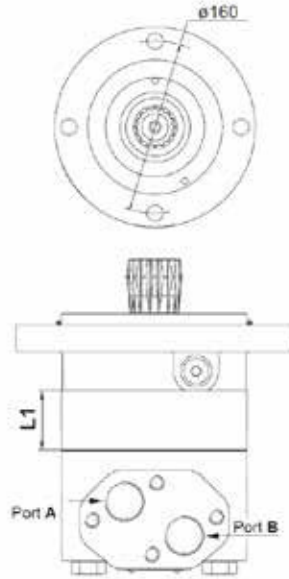


Seal Kits		Shaft Seals				Dust Seals		
Part #	List Price \$	Part #	Dimensions (mm)	Pressure Rating without Drain Line	List Price \$	Part #	Dimensions (mm)	List Price \$
MT-SKD	200.00	MP015V005	45 x 65 x 7	75 bar ≤150rpm	120.00	MP013V025	45 x 52 x 3	30.00
MT-SKU	240.00	MP015V047	45 x 65 x 4.8	100 bar ≤300rpm	120.00			
MTS-SK	80.00							

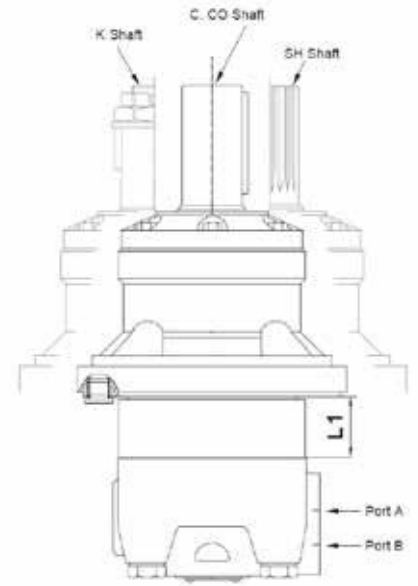
MT Standard MT Series



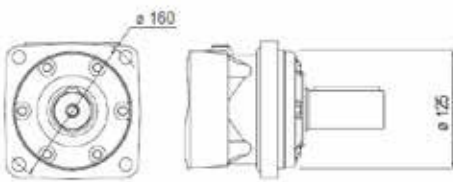
S Short Motor MTS Series



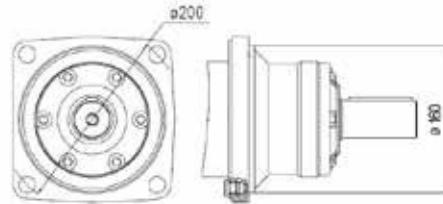
W Wheel Mount MTW Series



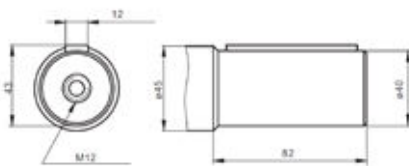
- Standard Mount SAE 4-bolt



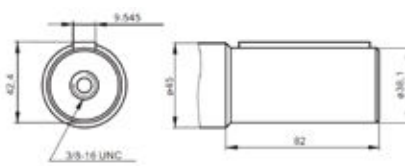
W Wheel Mount 4-bolt



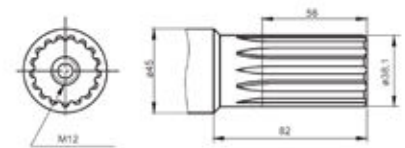
C 40mm Straight Keyed Shaft



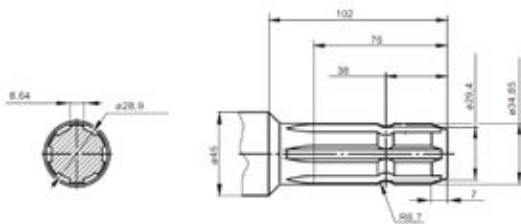
CO 1.1/2" Straight Keyed Shaft



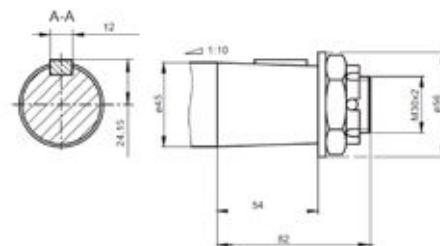
SH 1.1/2" 17T Splined Shaft



SL 1.3/8" 6T Splined PTO Shaft



K 45mm 1:10 Tapered Shaft



MLHT Series Disc Valve Motor

Standard Pricing: Shaft 1.1/2" Straight Keyed, Mount SAE C 4-bolt, Ports 1.1/16" UNF, Case 9/16" UNF

Part #	List Price \$	DISPLACEMENT	ROTOR	SPEED	FLOW	PRESSURE DROP	INLET PRESSURE	TORQUE	WEIGHT
		(cc)	Width L1 (mm)	Max. Cont. (RPM)	Max. Cont. (LPM)	Max. Cont. (Bar)	Max. Cont. (Bar)	Max. Cont. (Nm)	(Kg)
MLHT 160 C4U	2240.00	161.1	16.5	622	100	200	210	470	21
MLHT 200 C4U	2290.00	201.4	21.5	620	125	200	210	590	21.5
MLHT 250 C4U	2350.00	251.8	27.8	496	125	200	210	730	22
MLHT 315 C4U	2410.00	326.3	37	382	125	200	210	950	23
MLHT 400 C4U	2500.00	410.9	47.5	304	125	180	210	1080	24
MLHT 500 C4U	2660.00	523.6	61.5	238	125	160	210	1220	25
MLHT 630 C4U	3110.00	631.2	57.5	197	125	140	210	1300	25.5
MLHT 725 C4U	3270.00	724.3	66.5	172	125	120	210	1270	26

To ensure best motor life, fill with fluid and run at moderate load for 5-10 minutes

Nomenclature

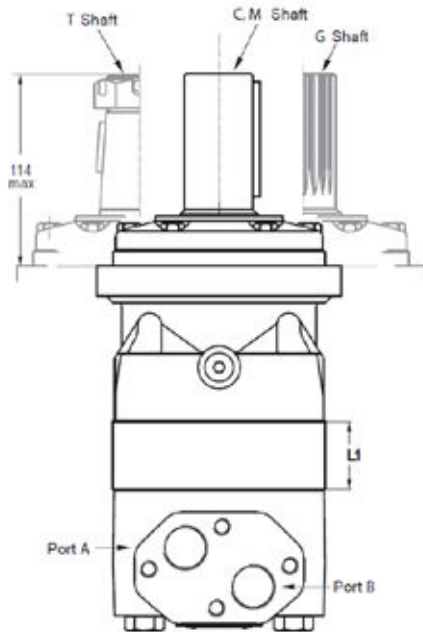
MLHT	MOUNTING			DISP.	SHAFTS			PORTS			SHAFT SEALS			SERIES
Code	Description	\$	160-725cc	Code	Description	\$	Code	Description	\$	Code	Description	\$		
-	SAE C 4-bolt 127mm Spigot	-		C	1.1/2" straight keyed	-	4	1.1/16" UNF	-	U	100 bar shaft seal *	-		
W	Wheel Mount 160mm Spigot	180		M	40mm straight keyed	-				HD	Reinforced seals	240		
				G	1.3/4" 1:8 tapered	50								
				T	44.45mm 1:8 tapered	70								
				P	34.85mm 6T spline PTO	130								

* Refer to specifications for performance data

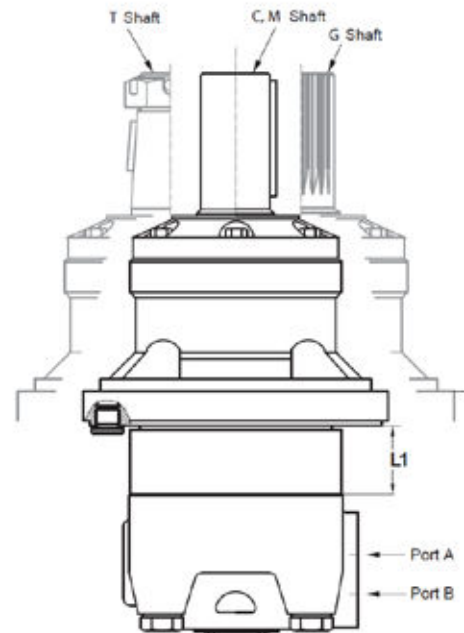


Seal Kits		Shaft Seals				Dust Seals		
Part #	List Price \$	Part #	Dimensions (mm)	Pressure Rating without Drain Line	List Price \$	Part #	Dimensions (mm)	List Price \$
MLHT-SKU	240.00	MP015V023	45 x 65 x 5.5	100 bar ≤300rpm	130.00	MP013V025	45 x 52 x 3	30.00

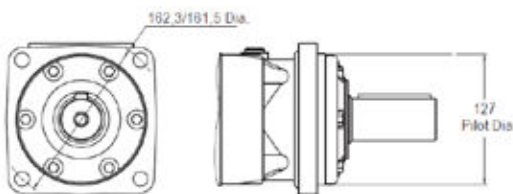
MLHT Standard MLHT Series



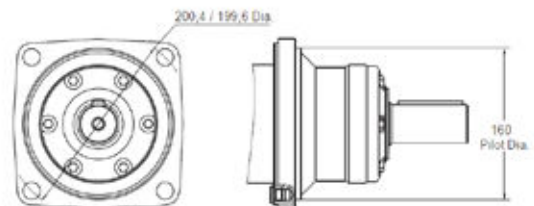
MLHTW Wheel Mount MLHTW Series



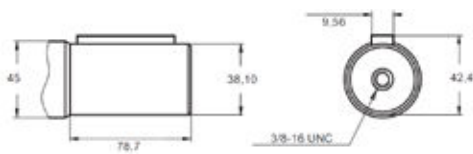
- Standard Mount SAE C 4-bolt



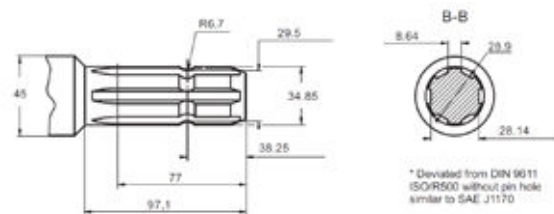
W Wheel Mount 4-bolt



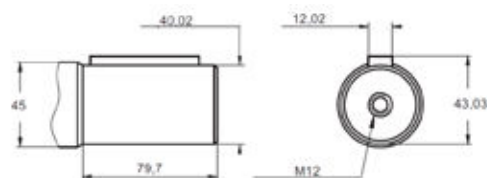
C 1.1/2" Straight Keyed Shaft



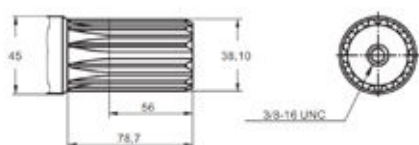
P 34.85mm 6T Splined PTO Shaft



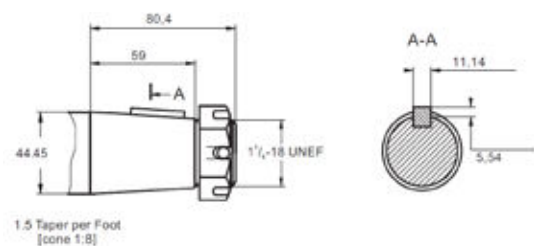
M 40mm Straight Keyed Shaft



G 1.1/2" 17T Splined Shaft



T 44.45mm 1:8 Tapered Shaft



MTM Series Disc Valve Motor

Standard Pricing: Shaft 40mm Keyed, Mount Standard 4-bolt, Ports 3/4" BSP, Case 1/4" BSP

Part #	List Price \$	DISPLACEMENT	ROTOR	SPEED	FLOW	PRESSURE DROP	INLET PRESSURE	TORQUE	WEIGHT
		(cc)	Width L1 (mm)	Max. Cont. (RPM)	Max. Cont. (LPM)	Max. Cont. (Bar)	Max. Cont. (Bar)	Max. Cont. (Nm)	(Kg)
MTM 200 CU HD	3540.00	201.4	25	625	125	250	270	740	27.9
MTM 250 CU HD	3600.00	251.8	31.3	500	125	250	270	900	28.3
MTM 315 CU HD	3660.00	326.3	40.5	380	125	250	270	1160	29.1
MTM 400 CU HD	3750.00	410.9	51	305	125	250	270	1470	30
MTM 470 CU HD	3820.00	475	59	260	125	250	270	1710	30.7
MTM 500 CU HD	3910.00	523.6	65	240	125	230	270	1720	31.2
MTM 630 CU HD	4360.00	631.2	61	190	125	200	270	1830	30.7
MTM 725 CU HD	4520.00	724	70	170	125	160	270	1600	32

To ensure best motor life, fill with fluid and run at moderate load for 5-10 minutes

Nomenclature

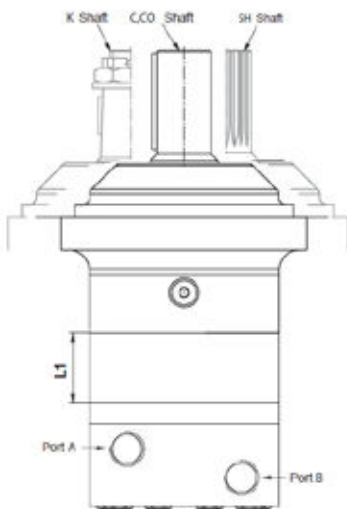
MTM			MOUNTING			DISPLACEMENT			SHAFTS			SHAFT SEALS		
Code	Description	\$	200-725cc			Code	Description	\$	Code	Description	\$			
-	Square 4-bolt 160mm spigot	-				C	40mm straight keyed	-	HD	75 bar *	-			
C	Square 4-bolt 125mm spigot	140				SH	1.1/2" 17T splined	50	* Refer to specifications for performance data					
W	Wheel mount 160mm spigot	180				K	50mm 1:10 tapered	70						
						CO	1.1/2" keyed	50						



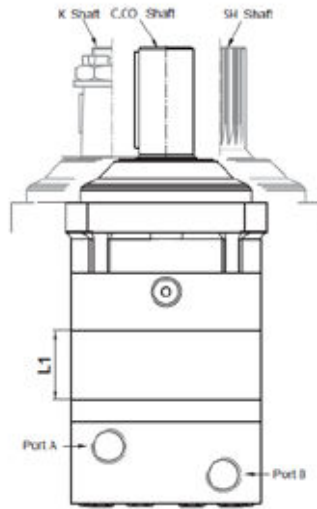
M+S HYDRAULIC
MADE IN EUROPE

Seal Kits		Shaft Seals				Dust Seals		
Part #	List Price \$	Part #	Dimensions (mm)	Pressure Rating without Drain Line	List Price \$	Part #	Dimensions (mm)	List Price \$
MTM-SKD	280.00	MP015V018	50 x 70 x 7	75 bar ≤150rpm	160.00	MP013V016	50 x 58 x 4	30.00
MTM-SKU	300.00	MP015V055	50 x 70 x 7	100 bar ≤300rpm	160.00			

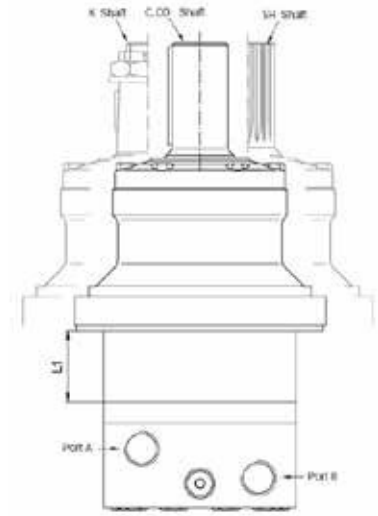
MTM Standard MTM Series



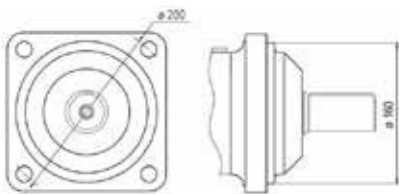
MTMC MTMC Series



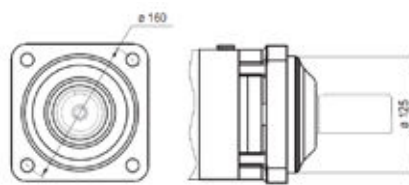
MTMW MTMW Series



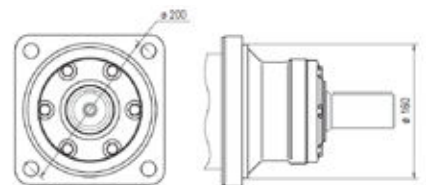
- Standard Mount 4-bolt



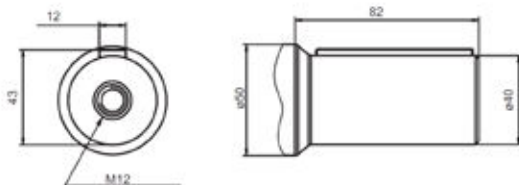
C Mount 4-bolt



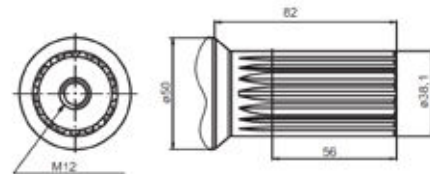
W Wheel Mount 4-bolt



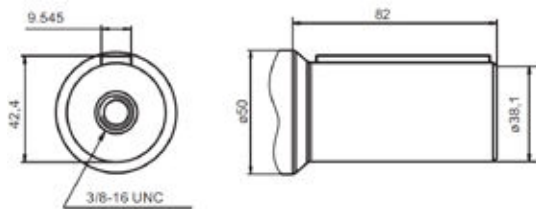
C 40mm Straight Keyed Shaft



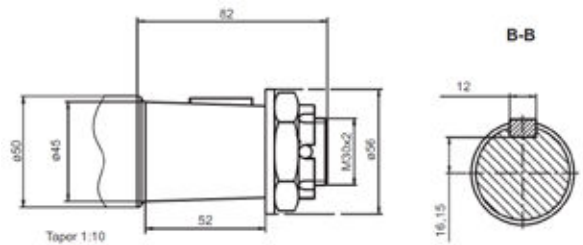
SH 1.1/2" 17T Splined Shaft



CO 1.1/2" Straight Keyed Shaft



K 50mm 1:10 Tapered Shaft



MV Series Disc Valve Motor

Standard Pricing: Shaft 50mm Straight Keyed, Mount Standard 4-bolt, Ports 1" BSPP, Case 1/4" BSPP

Part #	List Price \$	DISPLACEMENT	ROTOR	SPEED	FLOW	PRESSURE DROP	INLET PRESSURE	TORQUE	WEIGHT
		(cc)	Width L1 (mm)	Max. Cont. (RPM)	Max. Cont. (LPM)	Max. Cont. (Bar)	Max. Cont. (Bar)	Max. Cont. (Nm)	(Kg)
MV 315 CU HD	3300.00	314.5	22	510	160	200	210	920	32.8
MV 400 CU HD	3420.00	400.9	29	500	200	200	210	1180	33.6
MV 500 CU HD	3640.00	499.6	37	400	200	200	210	1460	34.5
MV 630 CU HD	4220.00	629.1	47.5	320	200	180	210	1660	35.9
MV 800 CU HD	4430.00	801.8	61.5	250	200	160	210	1880	37.5

To ensure best motor life, fill with fluid and run at moderate load for 5-10 minutes

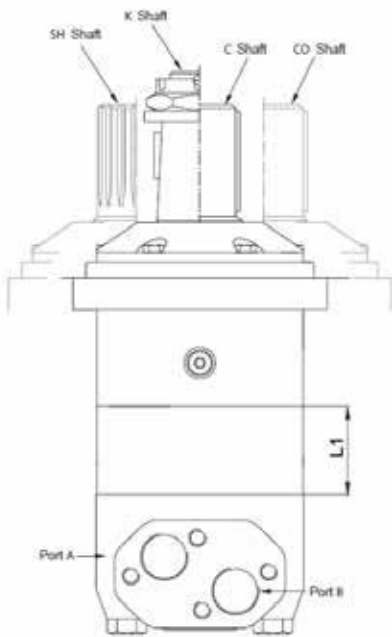
Nomenclature

MV	MOUNTING			DISPLACEMENT	SHAFTS			SHAFT SEALS		
Code	Description	\$	315-800cc	Code	Description	\$	Code	Description	\$	
-	Square 4-bolt 160mm spigot	-		C	50mm straight keyed	-	U	75 bar *	-	
C	SAE C 4-bolt 127mm spigot	110		CO	2.1/4" straight keyed	-	HD	Reinforced seals	-	
W	Wheel Mount 180mm spigot	280		SH	2.1/8" 16T splined	90	* Refer to specifications for performance data			
S	Short Motor 140mm spigot	Minus 500		K	60mm 1:10 tapered	120				

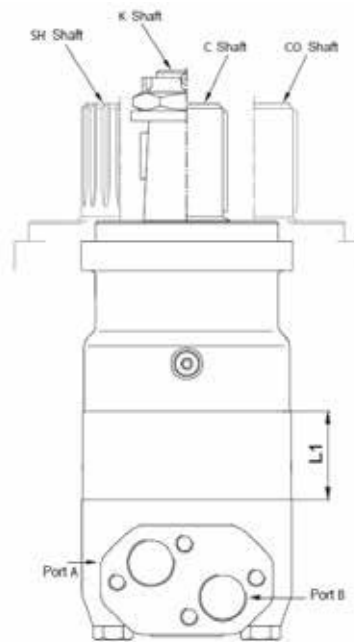


Seal Kits		Shaft Seals				Dust Seals		
Part #	List Price \$	Part #	Dimensions (mm)	Pressure Rating without Drain Line	List Price \$	Part #	Dimensions (mm)	List Price \$
MV-SK	240.00	MP015V013	60 x 80 x 7/6	60 bar ≤100rpm	200.00	MP013V026	60 x 72 x 3	40.00
MV-SKU	300.00	MP015V049	60 x 80 x 7/6	60 bar ≤350rpm	240.00			
MV-SKU-HD	380.00							
MVC-SK	240.00	MP015V013	60 x 80 x 7/6	60 bar ≤100rpm	200.00			
MVC-SKU	300.00	MP015V049	60 x 80 x 7/6	60 bar ≤350rpm	240.00			
MVC-SKU-HD	380.00							
MVS-SK	80.00							

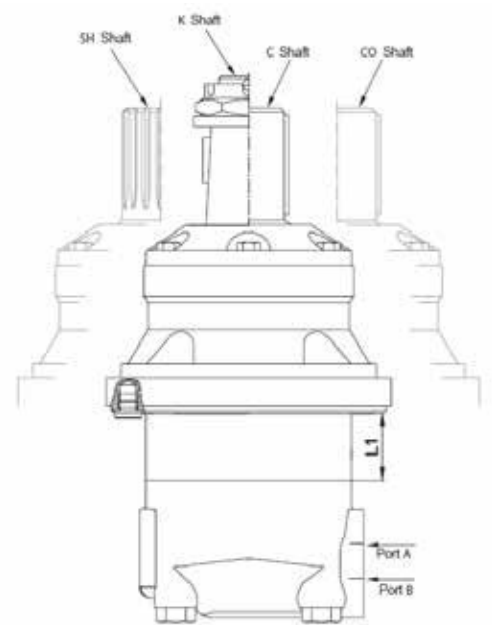
MV Standard Mount MV Series



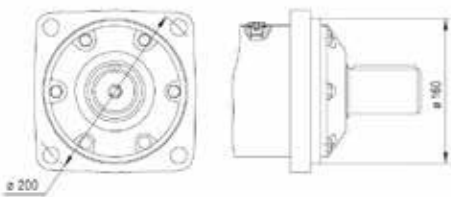
MVC MVC Series



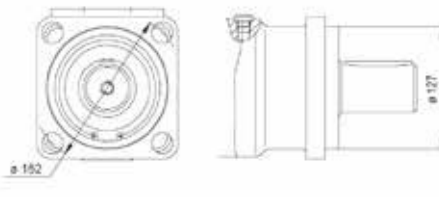
MVW MVW Series



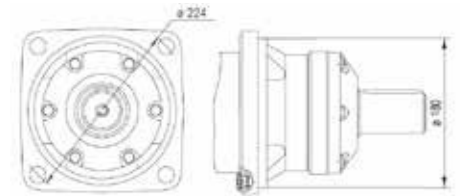
- Standard Mount 4-bolt



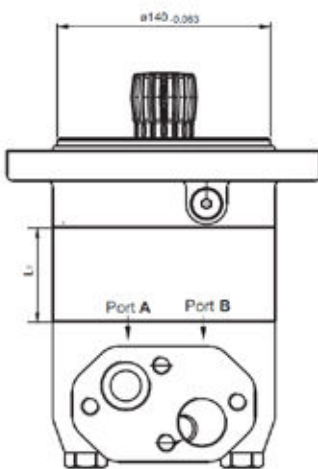
C Mount 4-bolt



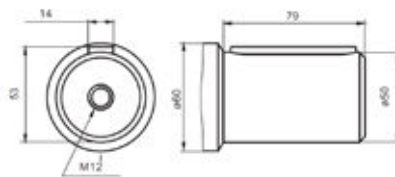
W Wheel Mount 4-bolt



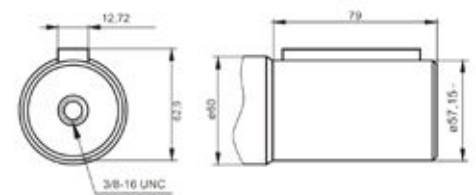
S Short Motor Mount



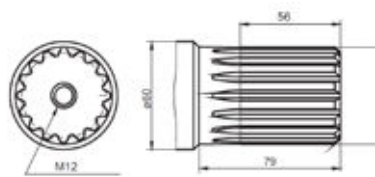
C 50mm Straight Keyed Shaft



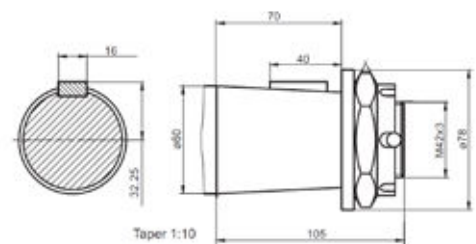
CO 2.1/4" Straight Keyed Short



SH 2.1/8" 16T Splined Shaft



K 60mm 1:10 Tapered Shaft



HYDRAULIC MOTORS

DISC VALVE MOTORS - MLHV Series

MLHV Series Disc Valve Motor

Standard Pricing: Shaft 2.1/4" Keyed, Mount Standard 4-bolt, Ports 1.5/16" UNF, Case 9/16" UNF

Part #	List Price \$	DISPLACEMENT	ROTOR	SPEED	FLOW	PRESSURE DROP	INLET PRESSURE	TORQUE	WEIGHT
		(cc)	Width L1 (mm)	Max. Cont. (RPM)	Max. Cont. (LPM)	Max. Cont. (Bar)	Max. Cont. (Bar)	Max. Cont. (Nm)	(Kg)
NEW MLHV 315 C4U HD	3300.00	314.5	22	510	160	200	210	920	31.7
NEW MLHV 400 C4U HD	3420.00	400.9	29	500	200	200	210	1180	32.5
NEW MLHV 500 C4U HD	3640.00	499.6	37	400	200	200	210	1460	33.4
NEW MLHV 630 C4U HD	4220.00	629.1	47.5	320	200	180	210	1660	34.6
NEW MLHV 800 C4U HD	4430.00	801.8	61.5	250	200	160	210	1880	36.2

To ensure best motor life, fill with fluid and run at moderate load for 5-10 minutes

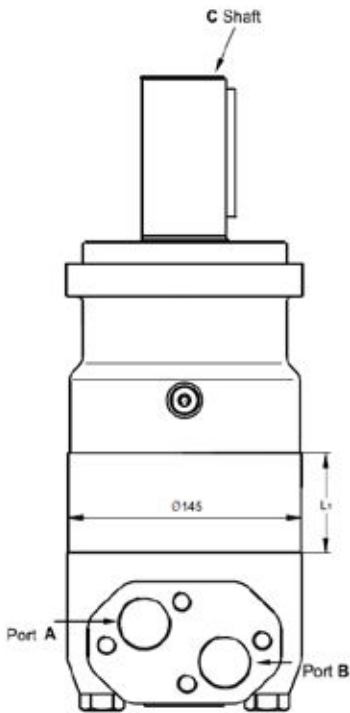
Nomenclature

MLHV	MOUNTING			DISP.	SHAFTS			PORTS			SHAFT SEALS		
Code	Description	\$	315-800cc	Code	Description	\$	Code	Description	\$	Code	Description	\$	
-	Square 4-bolt	-		C	2.1/4" straight keyed	-	4	1.5/16" UNF	-	HD	Reinforced seals	-	
C	SAE C 4-bolt	160		MA	40mm straight keyed	70				U	Standard seals	-	
				G	2.1/8" 16T spline	90							
				T	2.1/4" 1:8 tapered	120							
				CA	1.1/2" straight keyed	70							

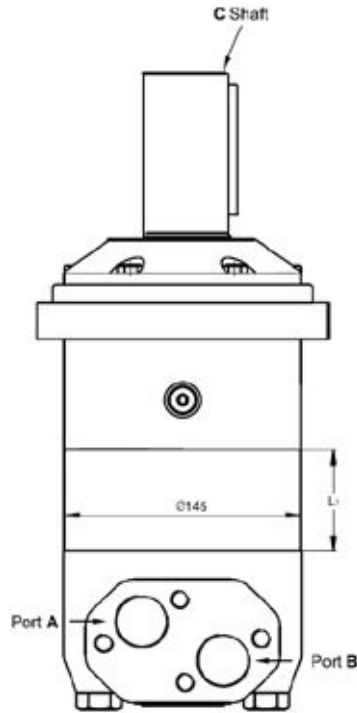


Seal Kits		Shaft Seals				Dust Seals		
Part #	List Price \$	Part #	Dimensions (mm)	Pressure Rating without Drain Line	List Price \$	Part #	Dimensions (mm)	List Price \$
MLHV-SKU-SD	380.00	MP015V049	60 x 80 x 7/6	60 bar ≤350rpm	240.00	MP013V026	60 x 72 x 3	40.00
MLHVC-SKU-HD	380.00							

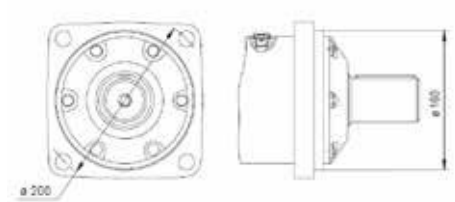
MLHV Standard Mount Square 4-bolt



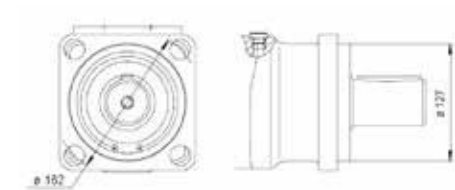
MLHVC Standard SAE C 4-bolt Mount



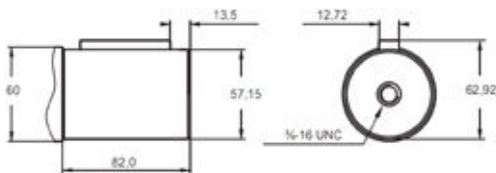
- Standard Mount 4-bolt



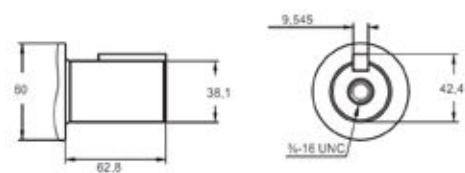
C SAE C 4-bolt Mount



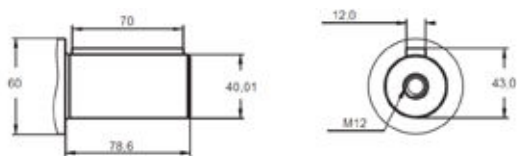
C 2.1/4" Straight Keyed Shaft



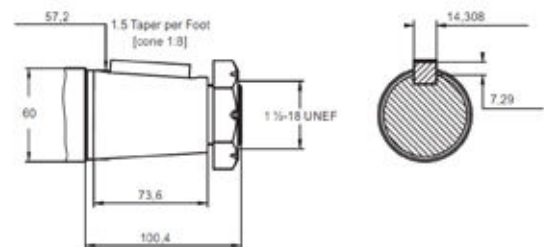
CA 1.1/2" Straight Keyed Shaft



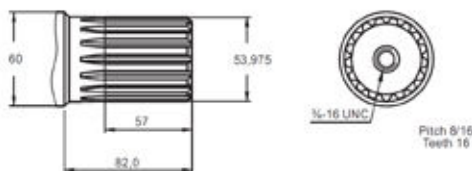
MA 40mm Straight Keyed Shaft



T 2.1/4" 1:8 Tapered Shaft



G 2.1/8" 16T Splined Shaft



LB Series Static Torque Disc Brakes

Part #	List Price \$	Brake Input		Brake Output Shaft Mount	Static Torque (Nm)	Opening Pressure Min/Max (Bar)	Min Oil Release (cm ³)	Max Pressure Drain (Bar)	Weight (Kg)
		Motor Series	Shaft Mount						
LB/288CO-63CO	1160.00	MP, MR	1" keyed SAE A 2-bolt	1" keyed SAE A 2/4-bolt	610-640	23/300	7-8	0.5	10
LB/288SH-63CO	1160.00	MP, MR	1" 6B splined SAE A 2-bolt	1" keyed SAE A 2/4-bolt	610-640	23/300	7-8	0.5	10
LB/288CB-63CB	1160.00	MP, MR, MH, MS	32mm straight SAE A 2/4-bolt	32mm straight SAE A 2/4-bolt	610-640	23/300	7-8	0.5	10
LBS/289-63CB	1490.00	MSS Short		32mm straight SAE A 2/4-bolt	610-640	23/300	7-8	5	9
LBS/290-63KB	1570.00	MSS Short		35mm 1:10 tapered wheel	610-640	23/300	7-8	5	9
LBS/314-130C	2280.00	MTS Short		40mm straight keyed 4-bolt mount	1260-1360	29/300	8-9	5	24
LBS/315-130K	2380.00	MTS Short		45mm 1:10 tapered wheel	1260-1360	29/300	8-9	5	25
LBS/316-130C	2740.00	MVS Short		50mm straight keyed 4-bolt	1270-1370	29/300	8-9	5	26
LBS/316-130K	2740.00	MVS Short		60mm 1:10 tapered wheel	1270-1370	29/300	8-9	5	26

Seal Kits

Part #	List Price \$
LB288-SK	120.00
LBS289/290-SK	140.00
LBS314/315-SK	170.00
LBS316-SK	200.00


M+S HYDRAULIC
 MADE IN EUROPE

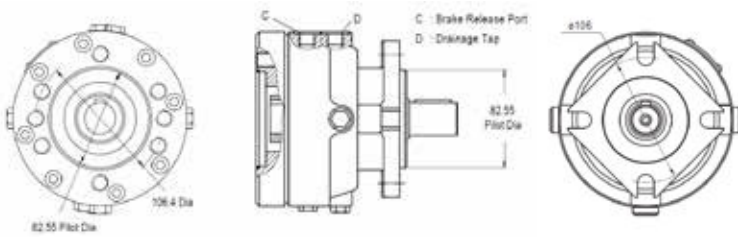


LB Series

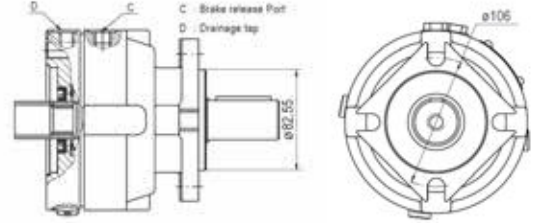


LBS Series

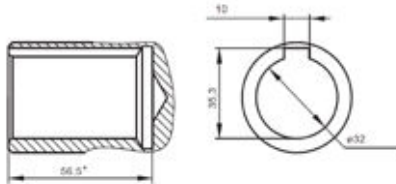
LB/288 - Input/Side/Output



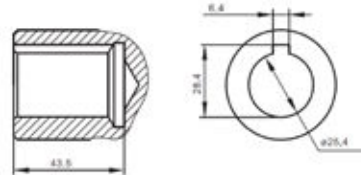
LBS289CS - Side/Output



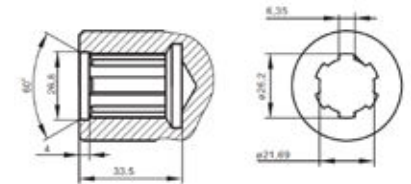
LB/288 - CB Input Shaft



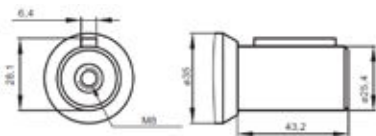
LB/288 - CO Input Shaft



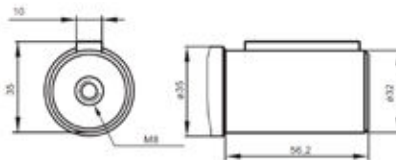
LB/288 - SH Input Shaft



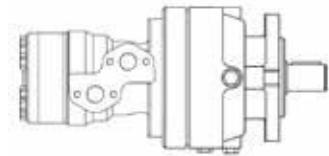
LB/288 - CB Output Shaft



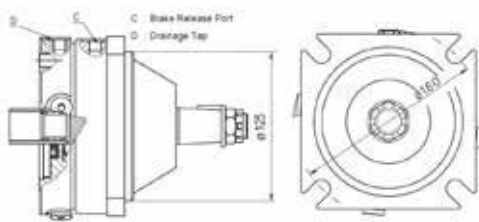
LB/288 - CO Output Shaft



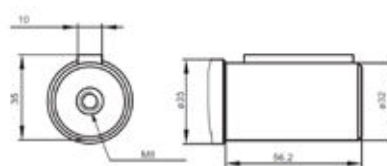
Example: MR Motor + LB288



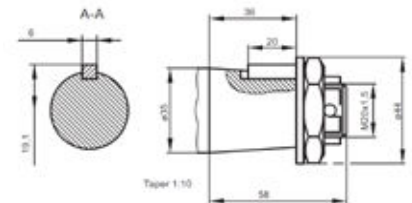
LBS/290KB - Side/Output



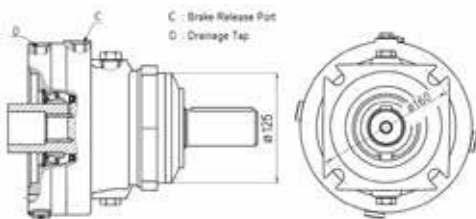
LBS/290 - CB Output Shaft



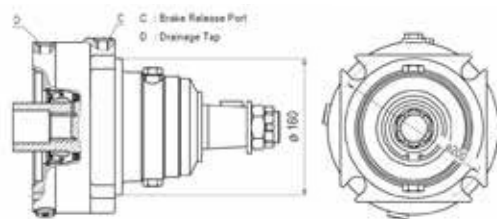
LBS/290 - KB Output Shaft



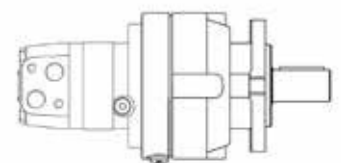
LBS/314C - Side/Output



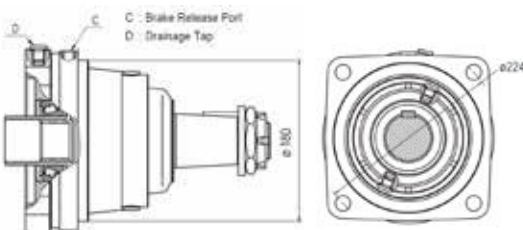
LBS/315K - Side/Output



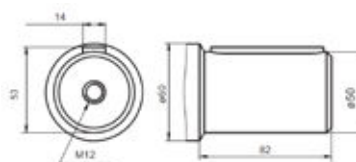
Example: MSS Motor + LBS289



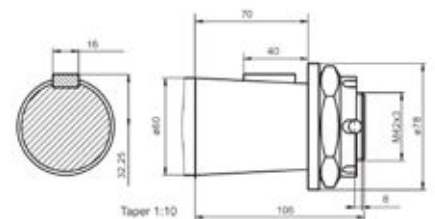
LBS/316K - Side/Output



LBS/316 - C Output Shaft

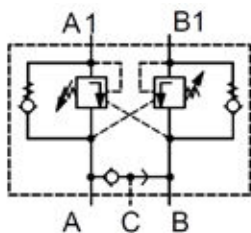


LBS/316 - K Output Shaft



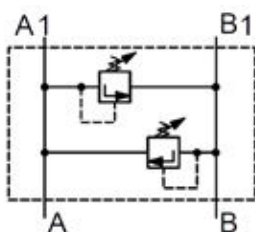
Overcentre Valve with Brake Release Port

Part #	List Price \$	Motor Type	Cartridge	A/B Ports	C Ports	Max. Cont. Flow	Pressure Range	Pilot Ratio
KPBR 250/1/E	450.00	MP, MR, MH	Single	1/2" BSPP	1/4" BSPP	60 lpm	60-280 bar	4.25:1
KPBR 250/1/D	550.00	MP, MR, MH	Dual	1/2" BSPP	1/4" BSPP	60 lpm	60-280 bar	4.25:1
KPBW 250/1/D	560.00	RW, HW	Dual	1/2" BSPP	1/4" BSPP	60 lpm	60-280 bar	4.25:1
KPBS 250/1/E	450.00	MS	Single	1/2" BSPP	1/4" BSPP	60 lpm	60-280 bar	4.25:1
KPBS 250/1/D	560.00	MS	Dual	1/2" BSPP	1/4" BSPP	60 lpm	60-280 bar	4.25:1
KPBS 250/2/D	570.00	MS	Dual	1/2" BSPP	1/4" BSPP	60 lpm	60-280 bar	8:1
KPBT 250/1/E	510.00	MT	Single	3/4" BSPP	1/4" BSPP	100 lpm	70-250 bar	4.25:1
KPBT 250/1/D	580.00	MT	Dual	3/4" BSPP	1/4" BSPP	100 lpm	70-250 bar	4.25:1
KPBV 250/1/D	1150.00	MV	Dual	1" BSPP	1/4" BSPP	200 lpm	70-250 bar	4.25:1



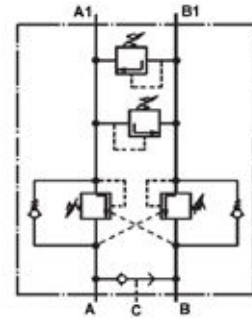
Cross Line Relief Valve

Part #	List Price \$	Motor Type	Cartridge	Ports	Max. Cont. Flow	Pressure Range
KPER 210	240.00	MP, MR, MH	Single	1/2" BSPP	60 lpm	50-210 bar
KPDR 210	280.00	MP, MR, MH	Dual	1/2" BSPP	60 lpm	50-210 bar
KPDW 250	780.00	RW, HW	Dual	1/2" BSPP	60 lpm	80-250 bar
KPES 210	240.00	MS	Single	1/2" BSPP	60 lpm	50-210 bar
KPDS 210	280.00	MS	Dual	1/2" BSPP	60 lpm	50-210 bar
KPET 210	430.00	MT	Single	3/4" BSPP	120 lpm	80-210 bar
KPDT 210	970.00	MT	Dual	3/4" BSPP	120 lpm	80-210 bar
KPDV 250	1210.00	MV	Dual	1" BSPP	200 lpm	20-250 bar



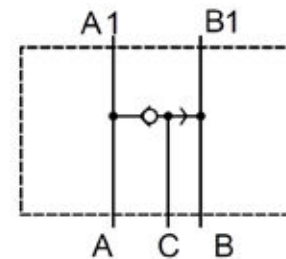
Overcentre and Crossline Relief Valve combined with Brake Release Port

Part #	List Price \$	Motor Type	Cartridge	A/B Ports	C Ports	Flow	Relief Press.	Overcentre Press.	Pilot Ratio
KPD210-250/1/D	1050.00	MP, MR, MH	Dual	1/2" BSPP	1/4" BSPP	60 lpm	210 bar	250 bar	4.25:1



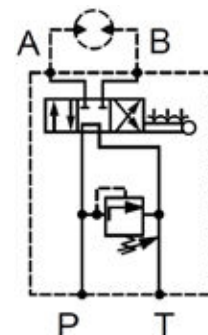
Shuttle Valve

Part #	List Price \$	Motor Type	A/B Ports	C Ports	Max. Cont. Flow	Max. Cont. Pressure
KPWR	170.00	MP, MR, MH	1/2" BSPP	1/4" BSPP	60 lpm	250 bar
KPWS	170.00	MS	1/2" BSPP	1/4" BSPP	60 lpm	250 bar
KPWT	350.00	MT	3/4" BSPP	1/4" BSPP	100 lpm	250 bar
KPVV	560.00	MV	1" BSPP	1/4" BSPP	200 lpm	250 bar



Handle Operated Directional Control Valve with Relief

Part #	List Price \$	Motor Type	A/B Ports	Max. Cont. Flow	Max. Cont. Pressure Drop
BDR 1205/25A	650.00	MP, MR, MH	1/2" BSPP	50 lpm	30-250 bar
BDS 1205/25A	650.00	MS	1/2" BSPP	50 lpm	30-250 bar



Cross Line Relief Valve

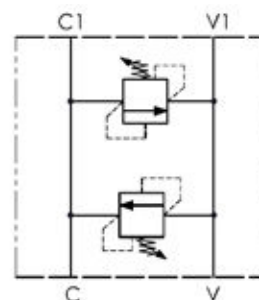
Part #	List Price \$	Max Flow Rate	Pressure Range	Series	A+B Ports	Bolts
DCF1201	269.00	40 lpm	10-140 bar	MP, MR	1/2" BSPP	M8x40 cap screw
DCF1202	269.00	40 lpm	20-210 bar	MP, MR	1/2" BSPP	M8x40 cap screw
DCF1203	269.00	40 lpm	70-350 bar	MP, MR	1/2" BSPP	M8x40 cap screw
DCM1201	269.00	40 lpm	10-140 bar	MSY	1/2" BSPP	M10x40 cap screw
DCM1202	269.00	40 lpm	20-210 bar	MSY	1/2" BSPP	M10x40 cap screw
DCM1203	269.00	40 lpm	70-350 bar	MSY	1/2" BSPP	M10x40 cap screw



DCF



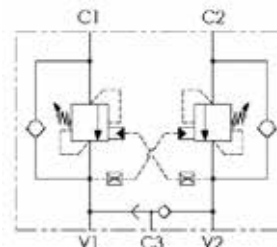
DCM



OLEOWEB
MADE IN EUROPE

Dual Counter Balance Valve

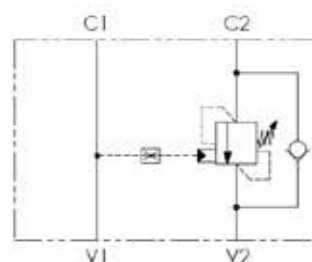
Part #	List Price \$	Max Flow Rate	Pressure Range	Series	A+B Ports	Ratio	Bolts
DCVB1201S	572.00	60 lpm	30-210 bar	MP, MR	1/2" BSPP	1:4.25	M8x50 Cap Screw (x4)



OLEOWEB
MADE IN EUROPE

Single Counter Balance Valve

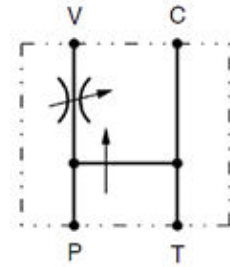
Part #	List Price \$	Max Flow Rate	Pressure Range	Series	A+B Ports	Ratio	Bolts
SCVB1201S	514.00	60 lpm	30-210 bar	MP, MR	1/2" BSPP	1:4.25	M8x50 Cap Screw (x4)



OLEOWEB
MADE IN EUROPE

Priority Flow Control Valve

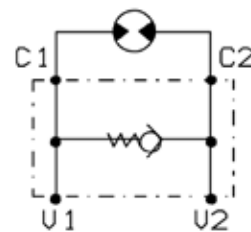
Part #	List Price \$	Max Flow Rate	Max Pressure	Max Adj. Flow	Series	A+B Ports
PVETOMP03	756.00	60 lpm	250 bar	50 lpm	MP/MR	1/2" BSPP



MADE IN EUROPE

Anti-Cavitation (rundown) Check Valve

Part #	List Price \$	Max Flow Rate	Max Pressure	Cracking Pressure	Series	A+B Ports
ACVOMS03	359.00	60 lpm	250 bar	0.5 bar	MS	1/2" BSPP



MADE IN EUROPE

HKU Series Steering Orbital

Configuration: Open centre, non-load reaction, Ports: 1/2" BSPP

Part #	List Price \$	DISPLACEMENT	ROTOR	FLOW	PRESSURE DROP	PRESSURE TANK	WEIGHT
		(cc)	Width L1 (mm)	Max. Cont. (LPM)	Max. Cont. (Bar)	(Bar)	
NEW HKU 40/4	840.00	39.6	6.5	4	140	25	5.3
NEW HKU 50/4	840.00	49.5	6.5	5	140	25	5.4
NEW HKU 63/4	840.00	65.6	8.2	6	170	25	5.5
NEW HKU 80/4	840.00	79.2	10.6	8	170	25	5.6
NEW HKU 100/4	850.00	99.0	13.2	10	170	25	5.7
NEW HKU 125/4	860.00	123.8	16.6	13	170	25	5.8
NEW HKU 160/4	890.00	158.4	20.8	16	170	25	6.0
NEW HKU 200/4	940.00	198.0	26.6	20	170	25	6.3
NEW HKU 250/4	1000.00	247.5	32.9	25	170	25	6.5
NEW HKU 320/4	1060.00	316.8	42.7	32	170	25	7.0
NEW HKU 400/4	1110.00	396.0	52.9	40	170	25	7.4
NEW HKU 500/4	1680.00	495.0	61.2	50	170	25	8.0
NEW HKU 630/4	1760.00	623.6	83.6	63	140	25	8.7
NEW HKU 800/4	1840.00	793.0	110.7	70	140	25	9.6
NEW HKU 1000/4	2710.00	990.0	133.2	70	100	25	10.6

Nomenclature

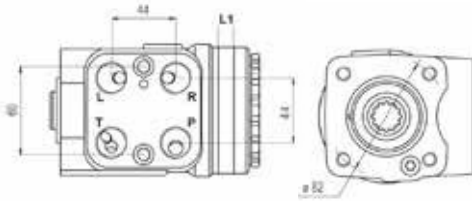
HKU	RELIEF			DISP.	CONFIGURATION			RELIEF SETTINGS			OPTIONS		
Code	Description	\$	40-1000cc	Code	Description	\$	Code	Description	\$	Code	Description	\$	
S	Built-in relief & shock valves	150		4	Open centre non-load reaction	-	150	100 bar relief 200 bar shock valves	-	-	1/2" BSPP ports	-	
LS	Built-in relief & shock valves for use with DT (500-100cc)	410		3	Open centre load reaction	30	175	175 bar relief 240 bar shock valves	-	A	3/4" UNF ports	30	
				7	Closed centre non-load reaction	30				PB	Power beyond *	100	
				5	Load sense static, use with PRD/80 valve	180				H	High pressure shaft seal	50	
				5T	Load sense - static	180				* Available for displacements 40-125cc only			
				5DT	Load sense - dynamic*	190							

* for 500-1000cc units, use code HKULS

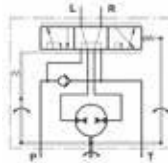


M+S HYDRAULIC
MADE IN EUROPE

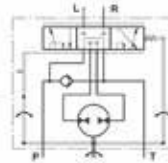
HKU Standard (side & top view)



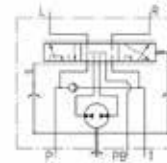
3 Open centre load reaction



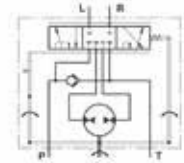
4 Open centre non-load reaction



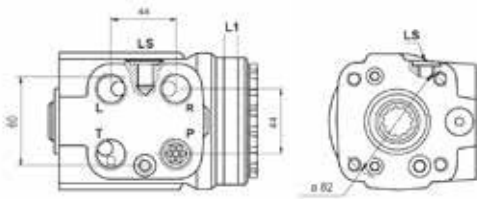
4PB Open centre non-load reaction power beyond



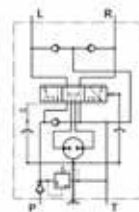
7 Closed centre non-load reaction



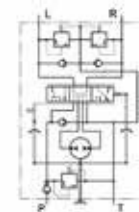
HKUS Load Sense (side & top view)



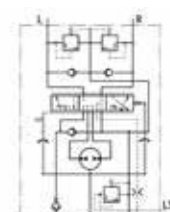
S3 Open centre load reaction relief/shock valve



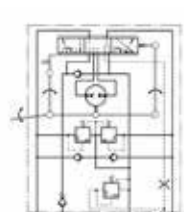
S4 Open centre non-load reaction relief/shock valves



S5T Closed centre load sense relief/shock valve

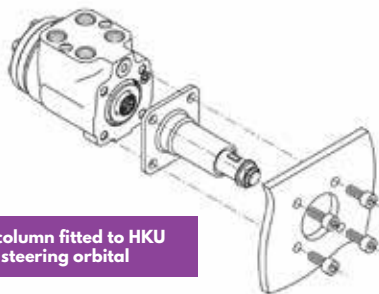


S5 Closed centre load sense PRD/80 valve

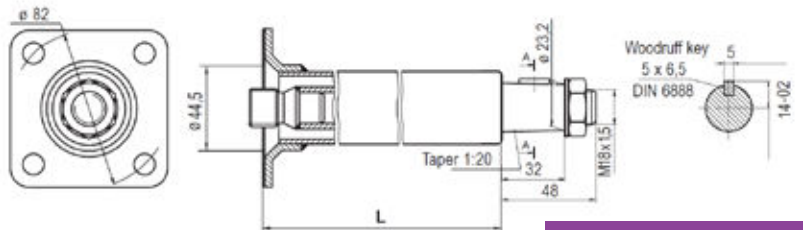


KK Series Steering Column & Shaft Journal

	Part #	List Price \$	Length (mm) L	Weight (kg)
NEW	KK75-I	190.00	78	0.75
NEW	KK150-I	200.00	168.2	1.1
NEW	KK275-I	215.00	278	1.5
NEW	KK390-I	270.00	393	1.9
NEW	KK465-I	295.00	465	2.5
NEW	KK750-I	500.00	777.8	3.3
NEW	SJ-HKU	50.00	Shaft journal - to suit HKU series steering orbitals	
NEW	(Option) E	60.00	Electrical signal connection	
NEW	(Option) F	30.00	Mounting flange with tabs	



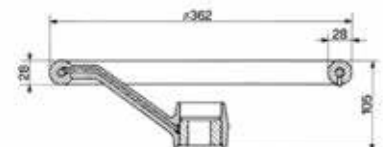
KK column fitted to HKU steering orbital



Standard KK column 1:20 taper shaft

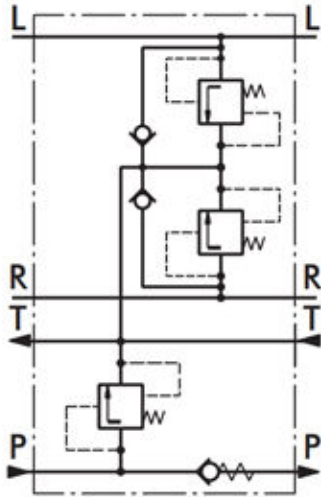
Steering Wheel

	Part #	List Price \$	Wheel Dia. (mm)	Column Shaft Input
NEW	360 Wheel	180.00	362	1:20 tapered
NEW	360-S-KNOB	40.00	Wheel spinner (for 360 Wheel only)	



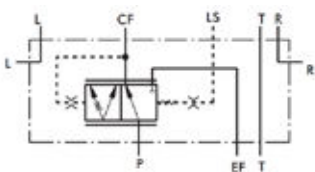
Relief Valve

	Part #	List Price \$	Max Cont Flow	Max Cont Press	Relief Setting	Shock Valves	Weight	Mounting
NEW	BKH1-125	220.00	80 lpm	160 bar	125 bar	180 bar	1.9 kg	Direct mount
NEW	BKH1-150	220.00	80 lpm	160 bar	150 bar	200 bar	1.9 kg	Direct mount
NEW	BKHR-125	240.00	80 lpm	160 bar	125 bar	180 bar	2.4 kg	Direct mount

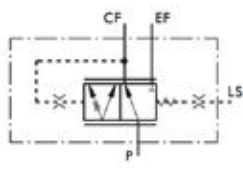


Priority Valve w/ Load Sense

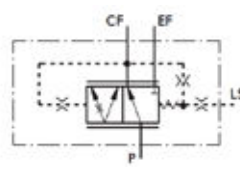
	Part #	List Price \$	Max Cont Flow	Pressure P,EF	Pressure CF,S,#	Pressure R,L	Pressure Tank	Mounting
NEW	PRD 80/7	350.00	80 lpm	250 bar	210 bar	280 bar	20 bar	Direct mount
NEW	PRTA 80/7	390.00	80 lpm	250 bar	210 bar	-	-	Inline
NEW	PRTAD 80/7	370.00	80 lpm	250 bar	210 bar	-	-	Inline
NEW	PRT 160/10	700.00	160 lpm	350 bar	#PP,CF 210 bar	-	15 bar	Inline



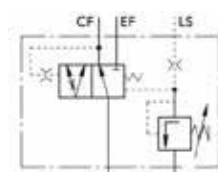
PRD



PRTA



PRTAD



PRT

PLANETARY WHEEL DRIVE NOMENCLATURE

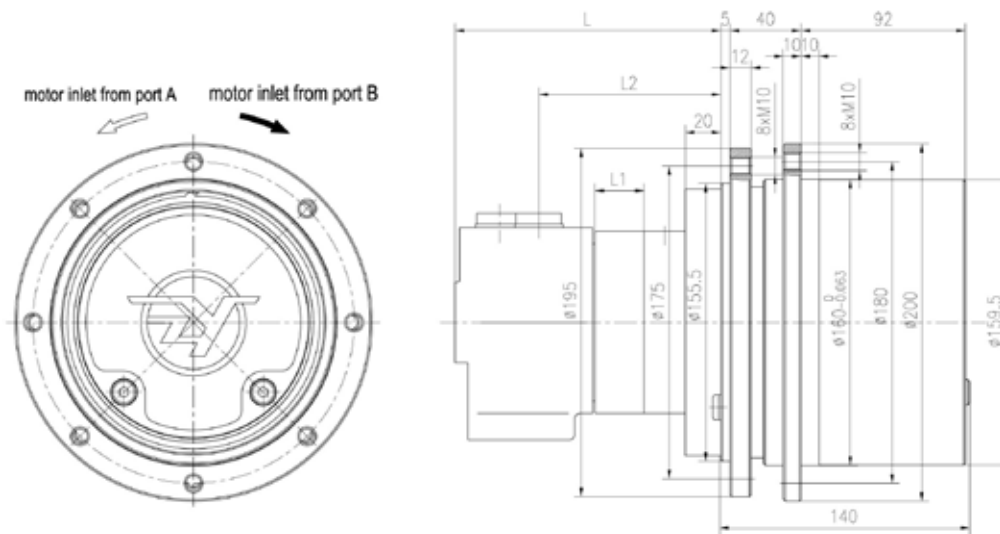
Series	Series Code	Ratio	Brake	Motor Series	Displacement	Ports	Painted
WGB	1500Nm	5.75	BK with Brake	WT BMSY	80	1/2" BSPP	00 No Paint



100	100cc
125	125cc
160	160cc
200	200cc
250	250cc
315	315cc
375	375cc
400	400cc

Planetary Wheel Drive

Displacement	80cc	100cc	125cc	160cc	200cc	250cc	315cc	400cc
List Price \$	3984.00	4022.00	4048.00	4086.00	4106.00	4123.00	4176.00	4459.00
L1 (mm)	13	17	22	27.5	35.1	47	59	71
L2 (mm)	69	73	78	83.5	91.1	103	115	127
L (mm)	134.5	138.5	143.5	149	157	169	181	193



WGB150 WITH BMS 125, Main specifications as follows

Main specifications of WGB 150

WGB150		5.75	4.6	3.28
specification Motor	Motor BMS125	125	125	125
	pressure drop MPa	15.4	15.4	16.2
	flow L/min	73.3	73.3	69.7
	torque N-m	260.9	260.9	274.4
	speed rpm	539.5	539.5	512.9
Output speed rpm		93.8	117.3	156.4
Output torque N-m		1500	1200	900
Output power kW		14	14	14

Main specifications of the non-standard motor with WGB150 will be calculated upon hydraulic motor. The max. output torque of WGB 150 is 1500 Nm, the max. output power is 14 kW.