

CATFORD

Jamestown

SA 5491

ENGINEERING PRODUCTS

All Prices Excluding GST

Phone: 0418 641 566

www.catford.com.au sales@catford.com.au

Piston Pumps

***Axial Piston Pumps & Controllers**





Lot 25, Mannanarie Road, Jamestown, South Australia 5491

PO Box 178, Jamestown, South Australia 5491



0418 641 566



sales@catford.com.au

Due to fluctuations in the Australian dollar and the economic climate, please be advised that all prices are subject to change.
Please contact us to confirm pricing.

All prices stated within are exclusive of GST
(All prices are correct as of January 1st 2024, but Catford Engineering reserve the right to change these prices without notice)

Piston Pumps

CATFORD Jamestown
SA 5491
ENGINEERING
PRODUCTS

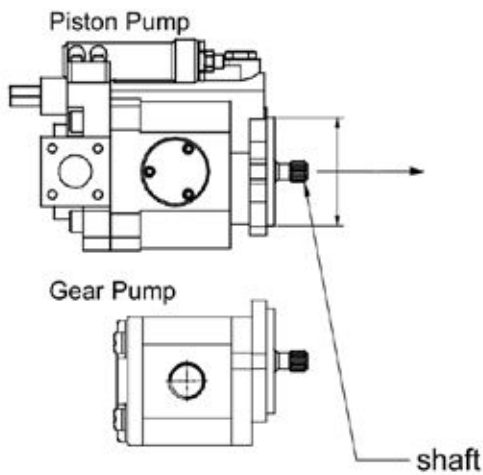
Phone: 0418 641 566

www.catford.com.au sales@catford.com.au

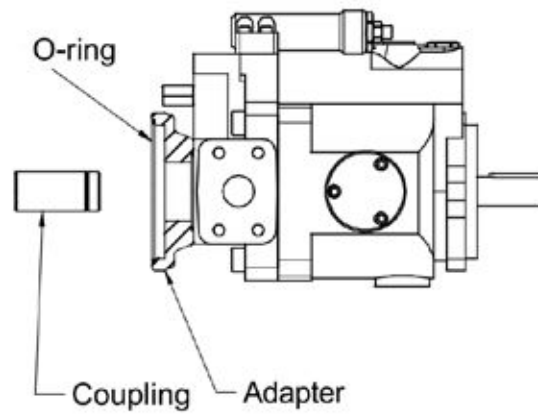
V-Axial Piston Pumps

Part #	List Price \$	Flange	Displacement at 100psi (7 bar)			Press. Adj. Range Bar	Speed RPM		Thread		Weight KG
			cm ³ /rev	1500rpm lpm	1800rpm lpm		Max	Min	Inlet	Outlet	
V15	2516.00	SAE A	15.0	22.5	27.0	1: 8~70 2: 15~140 3: 20~210 4: 20~250	1800	500	3/4" BSPP	3/4" BSPP	13
V23	3111.00	SAE B	23.0	35.4	41.4		1800	500	1" BSPP	3/4" BSPP	22
V38	3940.00	SAE B	37.8	56.7	68.0		1800	500	1.1/4" BSPP	1" BSPP	26
V50	6483.00	SAE C	51.5	77.2	92.7		1800	500	1.1/2" BSPP	1.1/4" BSPP	56
V70	7530.00	SAE C	69.7	104.5	125.4	1: 8~70 2: 15~140 3: 20~210	1800	500	1.1/2" BSPP	1.1/4" BSPP	56

Pump 2



Pump 1



Standard



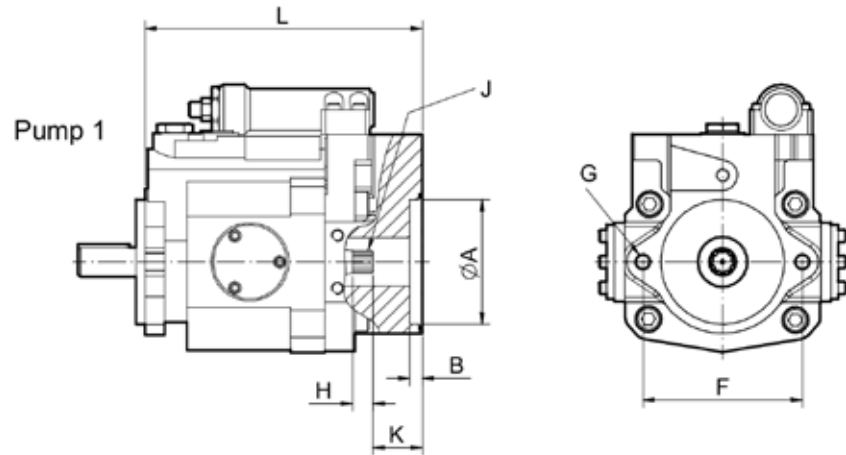
Thru Drive Coupler

Dimensions (mm)

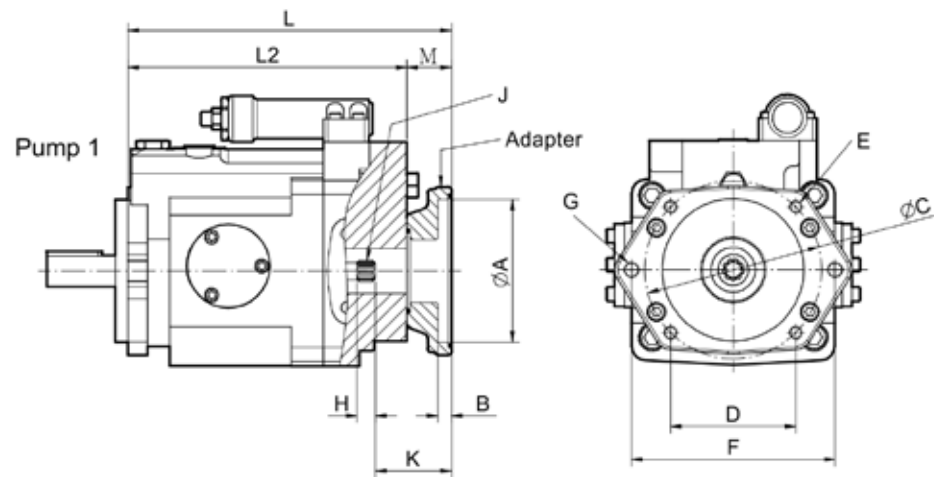
Part #	A	B	C	D	E	F	G	K	H	J	M	L	L2
V15	82.55	8.35	-	-	-	106.3	M10xP1.5	33	13.5	9T 16/32 DP	-	185	-
V23	101.6	10	127	89.8	M10xP1.5	146	M12xP1.75	59	13.5	9T 16/32 DP	32	237	205
V38	101.6	10	127	89.8	M10xP1.5	146	M12xP1.75	66	20	14T M1.25	32	241	209
V50	101.6	10	127	89.8	M10xP1.5	146	M12xP1.75	64.4	22	13T 16/32 DP	32	332	300
V70	101.6	10	127	89.8	M10xP1.5	146	M12xP1.75	64.4	22	13T 16/32 DP	32	332	300

Note: These measurements are for thru drive pump - for single pump specifications please visit our website

V15



V23-V70



Thru Drive Couplers

Part #	List Price \$	Piston Pump Displacement	Thru Drive Mount	Spline
COUPV15-15	244.00	V15-17	SAE A	9 Tooth
COUPV23-1	244.00	V23-25	SAE A	9 Tooth
COUPV38-1	244.00	V38-42	SAE A	9 Tooth
COUPV70-1	244.00	V50-70	SAE A	9 Tooth

V-Axial Piston Pump Seal Kits

Part #	List Price \$	Piston Pump
5E00033	96.00	V15-17
5E00035	133.00	V23-25
5E00037	160.00	V38-42
5E00042	149.00	V50-70

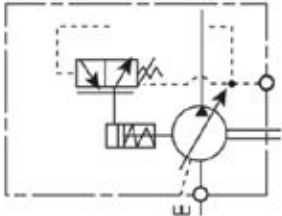
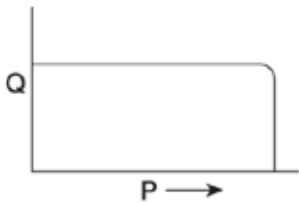
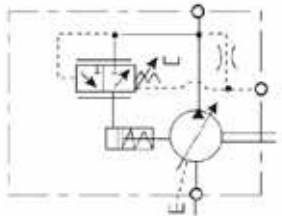

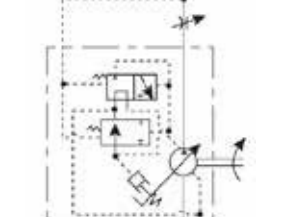
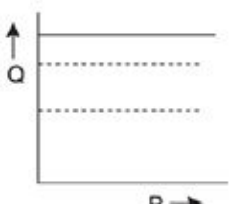
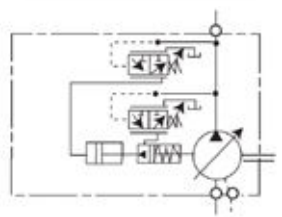
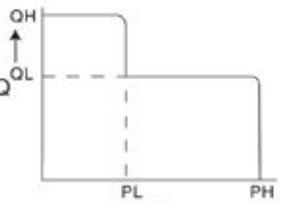
ORDER CODES FOR PISTON PUMPS

1	2	3	4	5	6	-	7	8	9	10
V	15	A	3	R					40	

1	SERIES
Axial piston pump Variable displacement High pressure version	Nominal pressure: 175 bar Maximum pressure: 280 bar Single operation period: 250 bar (6ms), 315 bar (2.5ms)
	V

2	SIZE & DISPLACEMENT																		
	<table border="1"> <tr> <td></td> <td>15</td> <td>23</td> <td>38</td> <td>50</td> <td>70</td> </tr> <tr> <td>Size</td> <td>1</td> <td>2</td> <td>3</td> <td>4</td> <td>4</td> </tr> <tr> <td>Displacement cm³/rev</td> <td>15</td> <td>23</td> <td>37.8</td> <td>51.5</td> <td>69.7</td> </tr> </table>		15	23	38	50	70	Size	1	2	3	4	4	Displacement cm ³ /rev	15	23	37.8	51.5	69.7
	15	23	38	50	70														
Size	1	2	3	4	4														
Displacement cm ³ /rev	15	23	37.8	51.5	69.7														

3	CONTROL DEVICE	List Price \$ (V15/23/38)	List Price \$ (V50/70)	
	Standard pressure control	-	-	A
	Remote pressure control	424.00	671.00	G
	Load-sensing control high pressure	520.00	593.00	HLC
	2-stage pressure and flow control	1187.00	1378.00	C

CONTROLS	SYMBOL	CHARACTERISTIC	SPECIFICATIONS
A			1. When system pressure increases and reaches required level, the flow decreases automatically and the pressure is constant. 2. Pressure and flow can be manually adjusted.
G			1. The same function of control type A. 2. Pressure can be adjusted remotely by the remote control valve.
HLC			1. HL valve with two different pressures, control displacement. 2. The flow can be changed by HL valve, the sensing feedback can reach low oil temperature and save energy.
C			1. 2-stage pressure to adjust PL to QH, & PH to QL. 2. When pressure increases to PH preset, flow is reduced to QL. 3. Adapt for long dead head & short pressurising machines - fast & energy-saving. 4. Pressure PH/PL & flow QH/QL can be adjusted if required.

4 PRESSURE ADJUSTING	
8 - 70 bar	1
15 - 140 bar	2
20 - 210 bar	3
20 - 250 bar	4

5 ROTATION	
Clockwise ↻	R
Counter Clockwise ↻	L

6 DIRECTION OF PIPE CONNECTIONS						
Standard: side port (flange)				(blank)		
Rear port (V15)	260.00	Rear Port (V23)	407.00	Rear Port (V38)	432.00	B

7 SHAFT TYPE		Keyed (standard)		Splined (optional)	
V15	SAE A	Keyed 3/4"	(blank)	13T 16/32 DP	S
V23, V38	SAE B	Keyed 7/8"	(blank)	13T 16/32 DP	S
V50, V70	SAE C	Keyed 1.1/4"	(blank)	14T 12/24 DP	S

8 VOLTAGE - OPTION UNAVAILABLE

9 THREAD TYPE		
BSPP (G)		40

10 THRU DRIVE & SECOND PUMP		Part	List Price \$	
∅ 82.55mm, SAE A		V15, V23, V38	2726.00	D
∅ 82.55mm, SAE A		V50, V70	3273.00	D