

CATFORD ENGINEERING PRODUCTS

Jamestown
SA 5491

All Prices Excluding GST

Phone: 0418 641 566

www.catford.com.au sales@catford.com.au

Hydraulic Power Units, Parts & Accessories

- *DC & AC Power Units, Continuous Duty Power Units
- *Industrial Power Units *Petrol & Diesel Power Units
- *Controllers *Tanks *DC & AC Motors *Start Solenoids
- *Accessories





Lot 25, Mannanarie Road, Jamestown, South Australia 5491

PO Box 178, Jamestown, South Australia 5491



0418 641 566



sales@catford.com.au

Due to fluctuations in the Australian dollar and the economic climate, please be advised that all prices are subject to change.
Please contact us to confirm pricing.

All prices stated within are exclusive of GST
(All prices are correct as of January 1st 2024, but Catford Engineering reserve the right to change these prices without notice)

Hydraulic Power Units, Parts & Accessories

CATFORD Jamestown
SA 5491
ENGINEERING
PRODUCTS

Phone: 0418 641 566

www.catford.com.au sales@catford.com.au



Total Price = GROUP 1 \$ + GROUP 2 \$ + GROUP 3 \$ + GROUP 4 \$

Note: These prices are a guide only, as every industrial power unit has different specifications. Please contact us for a detailed quotation.

GROUP 1 - Motor

Motor Size	List Price \$	Volts	Details
0.55 kW	1094.00	240v AC	The pricing within this group incorporates components arranged within the electric motor: Motor Coupling Bell Housing Gaskets
0.75 kW	1166.00	240v AC	
1.1 kW	1451.00	240v AC	
1.5 kW	1651.00	240v AC	
2.2 kW	1945.00	240v AC	
3.0 kW	2381.00	240v AC	
3.7 kW	2528.00	240v AC	
0.55 kW	709.00	415v AC	
0.75 kW	917.00	415v AC	
1.1 kW	1223.00	415v AC	
1.5 kW	1306.00	415v AC	
2.2 kW	1467.00	415v AC	
3.0 kW	1683.00	415v AC	
4.0 kW	2075.00	415v AC	
5.5 kW	2699.00	415v AC	
7.5 kW	2980.00	415v AC	
9.2 kW	3230.00	415v AC	
11.0 kW	4906.00	415v AC	
15.0 kW	5864.00	415v AC	
18.5 kW	7221.00	415v AC	
22.0 kW	7622.00	415v AC	
30.0 kW	10635.00	415v AC	

GROUP 2 - Pump

Pump	List Price \$	Details
Group 1 Pump	824.00	The pricing within this group incorporates components arranged within the pump(s) - based on Vivoil single & tandem pumps: Pump Suction Strainer Check Valve Hose & Fittings
Group 2 Pump	1168.00	
Group 3 Pump	2061.00	
Hi-lo Group 2/1 Tandem	2998.00	
Hi-lo Group 2/2 Tandem	3133.00	
Hi-lo Group 3/2 Tandem	4176.00	

GROUP 3 - Tank

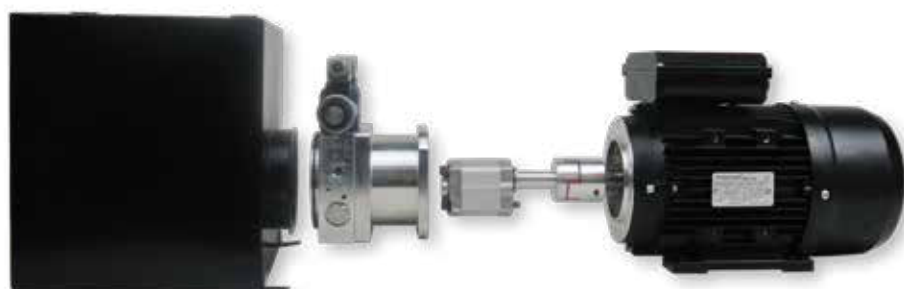
Tank	List Price \$	Details
10 L	777.00	The pricing within this group incorporates components arranged within the tank: Powder-Coated Tank & Lid Filler Breather Temperature Level Gauge Cork Gasket Return Filter (note - no return filter on 10L tank)
25 L	1754.00	
40 L	2006.00	
70 L	2407.00	
120 L	3244.00	
200 L	3972.00	
300 L	4607.00	
400 L	5116.00	

GROUP 4 - Manifold & Valve

Valve Configuration	STANDARD RANGE (Made in China) List Price \$	PREMIUM RANGE (Made in Italy) List Price \$	Coil Options	Details
1/2" P + T Manifold	621.00	n/a	Optional coils are available on the Premium Range: 115v AC 230v AC (Add \$30 to price)	The pricing within this group incorporates components arranged within the manifold and valve: Manifold Gauge Isolator Hose & Fittings A cartridge unloader valve is included with multiple valves. A pressure gauge is included as standard with the manifold
3/4" P + T Manifold	779.00	n/a		
Cetop 3 - 1 valve	1341.00	1440.00		
Cetop 3 - 2 valves	1862.00	2212.00		
Cetop 3 - 3 valves	2292.00	2817.00		
Cetop 3 - 4 valves	2713.00	3413.00		
Cetop 3 - 5 valves	3102.00	4119.00		
Cetop 3 - 6 valves	3552.00	4957.00		
Cetop 5 - 1 valve	1480.00	2065.00		
Cetop 5 - 2 valves	2466.00	3705.00		
Cetop 5 - 3 valves	3086.00	4770.00		
Cetop 5 - 4 valves	3893.00	6022.00		
Cetop 5 - 5 valves	4648.00	7222.00		



Series	Motor & Voltage	Valve	Valve Type	Unload Valve	Suction	Pump CC	Tank	Special
BP13	025AA	132	Z-1	U	H	42	5B	V



MOCEN®

MOTOR

240v AC	
025AA	0.25 kW
037AA	0.37 kW
055AA	0.55 kW
075AA	0.75 kW
11AA	1.1 kW
15AA	1.5 kW
22AA	2.2 kW
30AA	3.0 kW
37AA	3.7 kW
415v AC	
025AC	0.25 kW
037AC	0.37 kW
055AC	0.55 kW
075AC	0.75 kW
11AC	1.1 kW
15AC	1.5 kW
22AC	2.2 kW
30AC	3.0 kW
37AC	3.7 kW
40AC	4.0 kW

Electric motors are 4 pole - more info on p52

VALVE

010	P & T
030	Single acting
03M	Single acting w/ override
131	1 x double acting
132	2 x double acting
133	3 x double acting
1325	2 x double acting series manifold
1335	3 x double acting series manifold

VALVE TYPE

Dual Solenoid	Single Solenoid	Manual Lever	Description	Voltage	
Z	ZA	ZM	Closed Centre	-1	12v DC
C	CA	CM	Tandem Centre	-2	24v DC
H	HA	HM	Open Centre	-3	110v AC
Y	YA	YM	A & B to T	-4	240v AC
-	S	SM	Crossover S/A		

Technical info - see pages 241-253

UNLOAD VALVE

U	Unload valve
-	No unload

SUCTION

H	Horizontal mount
V	Vertical mount

PUMP

09	0.9 cc
12	1.2 cc
17	1.7 cc
21	2.1 cc
27	2.7 cc
32	3.2 cc
37	3.7 cc
42	4.2 cc
48	4.8 cc
58	5.8 cc
70	7.0 cc
80	8.0 cc
98	9.8 cc

Technical information - see page 53

TANK

2B	MT2AB 7.5L
3B	MT3AB 10L
4B	MT4AB 12L
5B	MT5AB 15L
8B	MT18AB 18L
6B	MT6AB 19L
4H	HR4ABC 22L
5H	HR5ABC 30L
6H	HR6ABC 38L

Technical information - see page 54

SPECIAL

MPR	Motor pump w/ relief valve
MP	Motor pump no relief
SV	Sandwich valve
SVHP	Sandwich valve handpump
SVM	Sandwich valve manual override
COV	Cetop override
HP	Cetop handpump
V	Vivoil pump

Multiple special options separated by /

BP13 Series Power Unit - 240v AC, 0.25kW to 0.75kW

Part #	List Price \$	Power	RPM	Function	Pump	Ports	Tank Usable	Relief Set
BP13-025AA010H083B	2251.00	0.25 kW	1320	P + T	0.8 cc	9/16" UNO	10 L	1600 psi
BP13-037AA010H083B	2288.00	0.37 kW	1380	P + T	0.8 cc	9/16" UNO	10 L	2500 psi
BP13-055AA010H113B	2427.00	0.55 kW	1400	P + T	1.1 cc	9/16" UNO	10 L	2500 psi
BP13-075AA010H113B	2488.00	0.75 kW	1410	P + T	1.1 cc	9/16" UNO	10 L	2500 psi
BP13-025AA131CH083B	2555.00	0.25 kW	1320	D/A	0.8 cc	9/16" UNO	10 L	1600 psi
BP13-037AA131CH083B	2591.00	0.37 kW	1380	D/A	0.8 cc	9/16" UNO	10 L	2500 psi
BP13-055AA131CH113B	2731.00	0.55 kW	1400	D/A	1.1 cc	9/16" UNO	10 L	2500 psi
BP13-075AA131CH113B	2791.00	0.75 kW	1410	D/A	1.1 cc	9/16" UNO	10 L	2500 psi

BP13 Series Power Unit - 415v AC, 0.25kW to 0.75kW

Part #	List Price \$	Power	RPM	Function	Pump	Ports	Tank Usable	Relief Set																
BP13-025AC010H083B	2124.00	0.25 kW	1380	P + T	0.8 cc	9/16" UNO	10 L	1600 psi																
BP13-037AC010H083B	2142.00	0.37 kW	1380	P + T	0.8 cc	9/16" UNO	10 L	2500 psi																
BP13-055AC010H113B	2197.00	0.55 kW	1400	P + T	1.1 cc	9/16" UNO	10 L	2500 psi																
BP13-075AC010H113B	2366.00	0.75 kW	1410	P + T	1.1 cc	9/16" UNO	10 L	2500 psi																
BP13-025AC131CH083B	2427.00	0.25 kW	1380	D/A	0.8 cc	9/16" UNO	10 L	1600 psi																
BP13-037AC131CH083B	2445.00	0.37 kW	1380	D/A	0.8 cc	9/16" UNO </tr <tr> <td>BP13-055AC131CH113B</td> <td>2464.00</td> <td>0.55 kW</td> <td>1400</td> <td>D/A</td> <td>1.1 cc</td> <td>9/16" UNO</td> <td>10 L</td> <td>2500 psi</td> </tr> <tr> <td>BP13-075AC131CH113B</td> <td>2670.00</td> <td>0.75 kW</td> <td>1410</td> <td>D/A</td> <td>1.1 cc</td> <td>9/16" UNO</td> <td>10 L</td> <td>2500 psi</td> </tr>	BP13-055AC131CH113B	2464.00	0.55 kW	1400	D/A	1.1 cc	9/16" UNO	10 L	2500 psi	BP13-075AC131CH113B	2670.00	0.75 kW	1410	D/A	1.1 cc	9/16" UNO	10 L	2500 psi
BP13-055AC131CH113B	2464.00	0.55 kW	1400	D/A	1.1 cc	9/16" UNO	10 L	2500 psi																
BP13-075AC131CH113B	2670.00	0.75 kW	1410	D/A	1.1 cc	9/16" UNO	10 L	2500 psi																

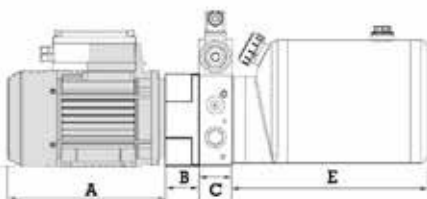


4-Pole Motor

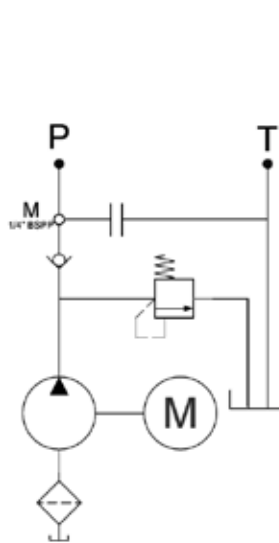
D/A has 24v DC coils (unless specified)

Size Chart

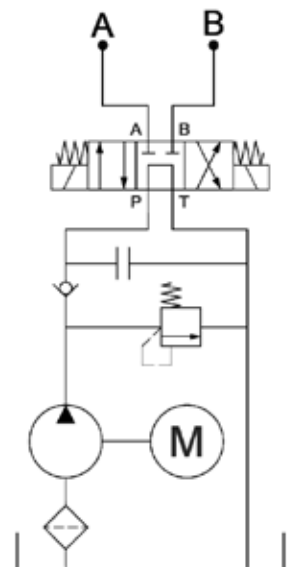
Motor Power	Dimension (mm)			
	A (240v)	A (415v)	B	C
0.25 kW	230	210	58	43
0.37 kW	225	215	58	43
0.55 kW	250	240	58	43
0.75 kW	250	240	68	43
1.1 kW	285	260	68	43



For tank dimensions (E), see page 54



010



131

BP13 Series Power Unit - 240v AC, 1.1kW to 3.7kW

Part #	List Price \$	Power	RPM	Function	Pump	Ports	Tank Usable	Relief Set
BP13-11AA010H213B	2622.00	1.1 kW	1410	P + T	2.1 cc	9/16" UNO	10 L	2500 psi
BP13-15AA010H213B	2791.00	1.5 kW	1420	P + T	2.1 cc	9/16" UNO	10 L	2500 psi
BP13-22AA010H428B	3120.00	2.2 kW	1430	P + T	4.2 cc	9/16" UNO	18 L	2500 psi
BP13-30AA010H588B	3325.00	3.0 kW	1440	P + T	5.8 cc	9/16" UNO	18 L	2500 psi
BP13-37AA010H805H	3762.00	3.7 kW	1440	P + T	8.0 cc	9/16" UNO	30 L	2500 psi
BP13-11AA131CH213B	2913.00	1.1 kW	1410	D/A	2.1 cc	9/16" UNO	10 L	2500 psi
BP13-15AA131CH213B	3070.00	1.5 kW	1420	D/A	2.1 cc	9/16" UNO	10 L	2500 psi
BP13-22AA131CH428B	3422.00	2.2 kW	1430	D/A	4.2 cc	9/16" UNO	18 L	2500 psi
BP13-30AA131CH588B	3622.00	3.0 kW	1440	D/A	5.8 cc	9/16" UNO	18 L	2500 psi
BP13-37AA131CH805H	4071.00	3.7 kW	1440	D/A	8.0 cc	9/16" UNO	30 L	2500 psi

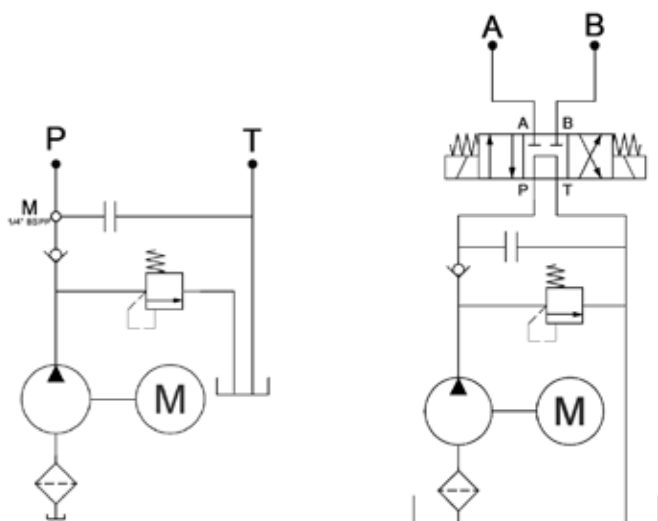
BP13 Series Power Unit - 415v AC, 1.1kW to 4.0kW

Part #	List Price \$	Power	RPM	Function	Pump	Ports	Tank Usable	Relief Set
BP13-11AC010H213B	2524.00	1.1 kW	1410	P + T	2.1 cc	9/16" UNO	10 L	2500 psi
BP13-15AC010H213B	2669.00	1.5 kW	1420	P + T	2.1 cc	9/16" UNO	10 L	2500 psi
BP13-22AC010H428B	2791.00	2.2 kW	1430	P + T	4.2 cc	9/16" UNO	18 L	2500 psi
BP13-30AC010H588B	3009.00	3.0 kW	1440	P + T	5.8 cc	9/16" UNO	18 L	2500 psi
BP13-40AC010H805H	3277.00	4.0 kW	1440	P + T	8.0 cc	9/16" UNO	30 L	2500 psi
BP13-11AC131CH213B	2852.00	1.1 kW	1410	D/A	2.1 cc	9/16" UNO	10 L	2500 psi
BP13-15AC131CH213B	2913.00	1.5 kW	1420	D/A	2.1 cc	9/16" UNO	10 L	2500 psi
BP13-22AC131CH428B	3107.00	2.2 kW	1430	D/A	4.2 cc	9/16" UNO	18 L	2500 psi
BP13-30AC131CH584H	3155.00	3.0 kW	1440	D/A	5.8 cc	9/16" UNO	18 L	2500 psi
BP13-40AC131CH805H	3580.00	4.0 kW	1440	D/A	8.0 cc	9/16" UNO	30 L	2500 psi



4-Pole Motor

D/A has 24v DC coils
(unless specified)

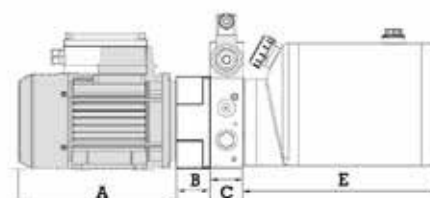


010

131

Size Chart

Motor Power	Dimension (mm)			
	A (240v)	A (415v)	B	C
1.1 kW	285	260	68	43
1.5 kW	315	290	68	43
2.2 kW	340	320	90	43
3.0 kW	360	320	90	43
3.7 kW	370	370	90	43
4.0 kW	n/a	335	90	43



For tank dimensions (E), see page 54

Part #	Motor/Voltage	Valve	Valve Type	Unload Valve	Suction	Pump CC	Tank	Special
	16DA	131	Z	U	H	21	2A	V



MOTOR	
03DA	350W/12v DC 1700 rpm
03DB	350W/24v DC 1800 rpm
08DA	800W/12v DC 3200 rpm
08DB	800W/24v DC 3200 rpm
16DA	1.6kW/12v DC 2600 rpm
16DB	2.2kW/24v DC 2700 rpm
25DA	2.5kW/12v DC 2400 rpm
25DB	2.8kW/24v DC 3400 rpm
30DA	3.0kW/12v DC 1850 rpm
40DB	4.0kW/24v DC 2700 rpm
15AA	1.1kW/240v AC 2800 rpm
30AA	2.2kW/240v AC 2800 rpm
15AC	1.1kW/415v AC 2800 rpm
30AC	2.2kW/415v AC 2800 rpm
40AC	3.0kW/415v AC 2800 rpm
50AC	4.0kW/415v AC 2800 rpm
60PE	6.0 HP petrol electric start 3000 rpm
60DE	6.7 HP diesel electric start 2800 rpm

Technical information - see page 51

VALVE	
010	P & T
030	Single acting
03M	Single acting w/ override
131	1 x double acting (cetop)
132	2 x double acting (cetop)
132	2 x double acting (sandwich)
1325	2 x double acting series manifold
133	3 x double acting (sandwich)
1335	3 x double acting series manifold
134	4 x double acting (sandwich)
135	5 x double acting (sandwich)
136	6 x double acting (sandwich)

VALVE TYPE					
Dual Solenoid	Single Solenoid	Manual Lever	Description	Voltage (AC units only)	
Z	ZA	ZM	Closed Centre	-1	12v DC
C	CA	CM	Tandem Centre	-2	24v DC
H	HA	HM	Open Centre	-3	110v AC
Y	YA	YM	A & B to T	-4	240v AC
-	S	SM	Crossover S/A		

Technical info - see pages 241-253

UNLOAD VALVE	
U	Unload valve
-	No unload

SUCTION	
H	Horizontal mount
V	Vertical mount

PUMP	
037	0.37 cc
075	0.75 cc
08	0.8 cc
11	1.1 cc
16	1.6 cc
21	2.1 cc
27	2.7 cc
32	3.2 cc
37	3.7 cc
42	4.2 cc
48	4.8 cc
58	5.8 cc
70	7.0 cc
80	8.0 cc

Technical information - see page 53

TANK	
1S	MS1AB 1L useable
2S	MS2AB 1.4L useable
4S	MS4AB 2.4L useable
0B	MT0AB 2.5L
0P	RPOAB 2.5L
0A	LS0AB 3.0L
6S	MS6AB 3.3L
1A	LS1AB 3.8L
2A	LS2AB 5.7L
2B	MT2AB 7.5L
3B	MT3AB 10L
4B	MT4AB 12L
5B	MT5AB 15L
6B	MT6AB 19L
8B	MT18AB 18L (for petrol/diesel)
1K	OTK012 21L (for petrol/diesel)
4H	HR4ABC 22L
5H	HR5ABC 30L
6H	HR6ABC 38L

Technical information - see page 54

SPECIAL	
MPR	Motor pump w/ relief valve
MP	Motor pump no relief
SV	Sandwich valve
SVHP	Sandwich valve handpump
SVM	Sandwich valve manual override
COV	CETOP override
HP	Cetop handpump
V	Vivoil pump

Multiple special options separated by /

Micro Power Unit 350 Watt DC - Maximum Pressure 3000psi

Part #	List Price \$	Power	Volts	Function	Pump	Ports	Tank Usable	Relief Set
03DA010H0381P	1313.00	350 W	12v	P + T	0.38 cc	9/16" UNO	1.4 L	2500 psi
03DB010H0381P	1313.00	350 W	24v	P + T	0.38 cc	9/16" UNO	1.4 L	2500 psi
03DA030H0381P	1366.00	350 W	12v	S/A	0.38 cc	9/16" UNO	1.4 L	2500 psi
03DB030H0381P	1365.00	350 W	24v	S/A	0.38 cc	9/16" UNO	1.4 L	2500 psi
03DA131ZH0382S	1648.00	350 W	12v	D/A	0.38 cc	9/16" UNO	1.4 L	2500 psi
03DB131ZH0382S	1648.00	350 W	24v	D/A	0.38 cc	9/16" UNO	1.4 L	2500 psi



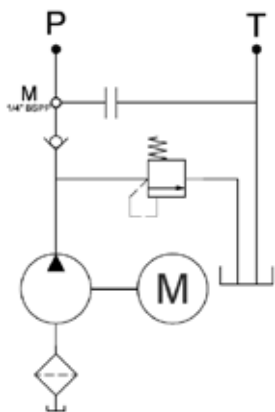
03D Series



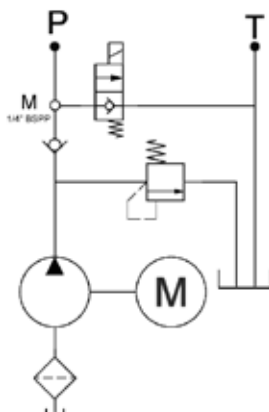
08D Series

Micro Power Unit 800 Watt DC - Maximum Pressure 3000psi

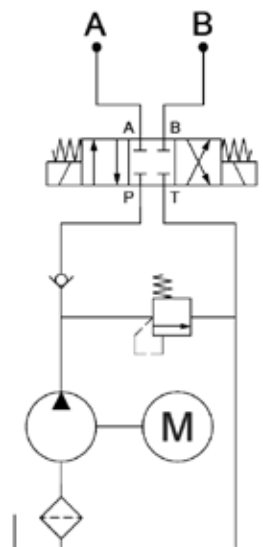
Part #	List Price \$	Power	Volts	Function	Pump	Ports	Tank Usable	Relief Set
08DA010H0751P	1372.00	800 W	12v	P + T	0.75 cc	9/16" UNO	1.4 L	2500 psi
08DB010H0751P	1372.00	800 W	24v	P + T	0.75 cc	9/16" UNO	1.4 L	2500 psi
08DA030H0751P	1436.00	800 W	12v	S/A	0.75 cc	9/16" UNO	1.4 L	2500 psi
08DB030H0751P	1435.00	800 W	24v	S/A	0.75 cc	9/16" UNO	1.4 L	2500 psi
08DA131ZH0752S	1684.00	800 W	12v	D/A	0.75 cc	9/16" UNO	1.4 L	2500 psi
08DB131ZH0752S	1684.00	800 W	24v	D/A	0.75 cc	9/16" UNO	1.4 L	2500 psi



010



030



131

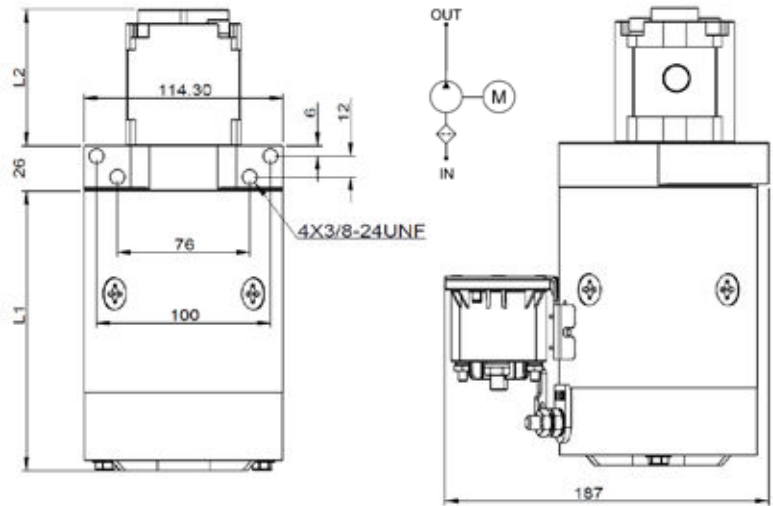
Intermittent use only

Motor Pump Power Units

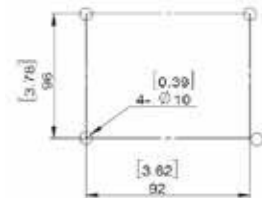
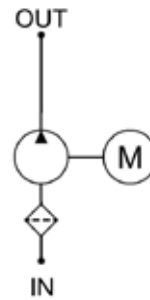
	Part #	List Price \$	Power	Volts	Function	Pump	Ports	Dimensions (mm)	
								L1	L2
NEW	MPA-416A-21-03	1011.00	1.6 kW	12v	M-P	2.1 cc	1/2" BSPP	160	78
NEW	MPA-422B-21-03	1011.00	2.2 kW	24v	M-P	2.1 cc	1/2" BSPP	160	78
NEW	MPA-425A-32-03	1079.00	2.5 kW	2.5v	M-P	3.2 cc	1/2" BSPP	180	82
NEW	MPA-428B-32-03	1079.00	2.8 kW	2.8v	M-P	3.2 cc	1/2" BSPP	205	82
	MPA-540B-42-01	2790.00	4.0 kW	24v	M-P	4.2 cc	1/2" BSPP	See drawing	



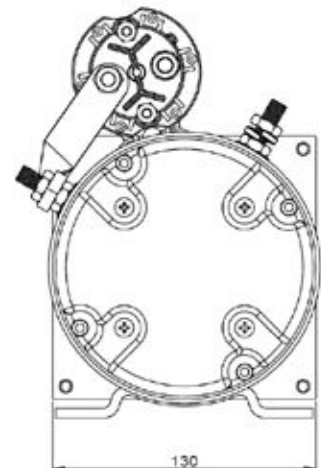
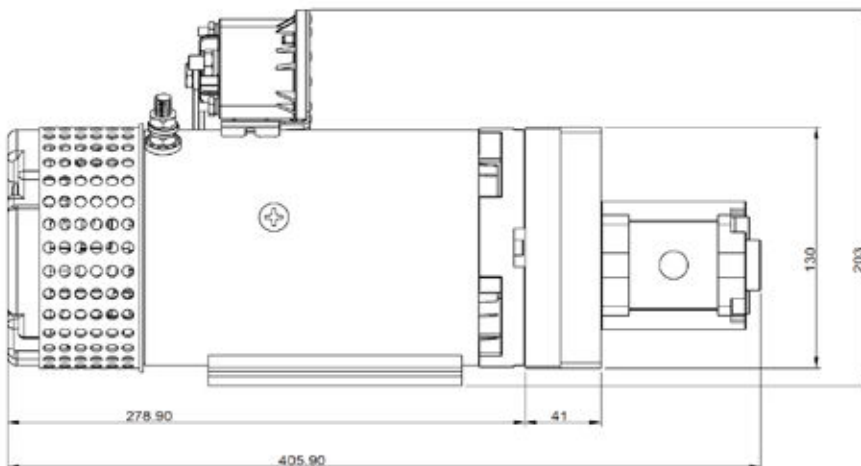
MPA-416/422/425/428



MPA-540



MPA-540B Mounting



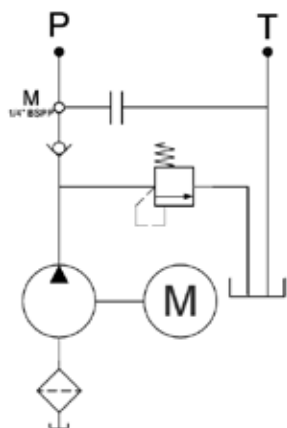
Power Unit P & T (DC) - Maximum Pressure 3000psi

Part #	List Price \$	Power	Volts	Function	Pump	Ports	Tank Usable	Relief Set
16DA010H211A	1295.00	1.6 kW	12v	P + T	2.1 cc	9/16" UNO	3.8 L	2500 psi
16DA010H212A	1295.00	1.6 kW	12v	P + T	2.1 cc	9/16" UNO	5.7 L	2500 psi
16DA010H212B	1354.00	1.6 kW	12v	P + T	2.1 cc	9/16" UNO	7.5 L	2500 psi
16DA010H213B	1354.00	1.6 kW	12v	P + T	2.1 cc	9/16" UNO	10 L	2500 psi
16DB010H211A	1295.00	2.2 kW	24v	P + T	2.1 cc	9/16" UNO	3.8 L	2500 psi
16DB010H212A	1295.00	2.2 kW	24v	P + T	2.1 cc	9/16" UNO	5.7 L	2500 psi
16DB010H212B	1354.00	2.2 kW	24v	P + T	2.1 cc	9/16" UNO	7.5 L	2500 psi
16DB010H213B	1354.00	2.2 kW	24v	P + T	2.1 cc	9/16" UNO	10 L	2500 psi



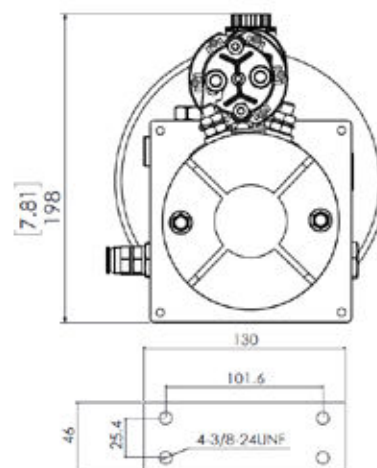
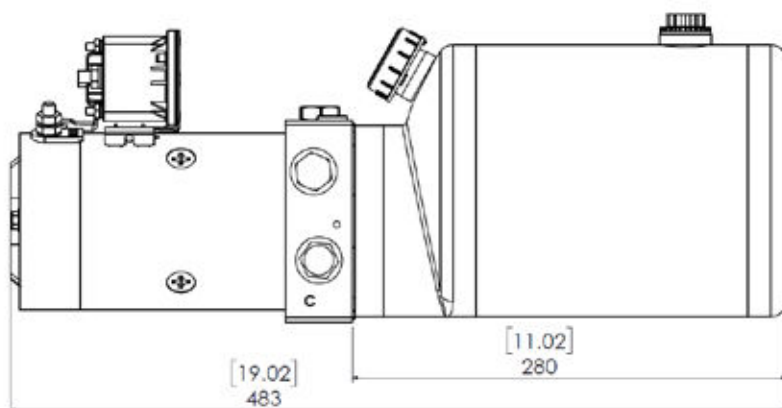
Intermittent use only

Other tank size options on page 54



Dimensions (mm)

Tank Size	Length	Width	Height
3.8 L	483	183	200
5.7 L	553	183	200
7.5 L	483	183	200
10 L	540	183	200
15 L	713	183	200



Single Acting Power Unit (DC) - Maximum Pressure 3000psi

Part #	List Price \$	Power	Volts	Function	Pump	Ports	Tank Usable	Relief Set
16DA030H211A	1378.00	1.6 kW	12v	S/A	2.1 cc	9/16" UNO	3.8 L	2500 psi
16DA030H212A	1378.00	1.6 kW	12v	S/A	2.1 cc	9/16" UNO	5.7 L	2500 psi
16DA030H212B	1436.00	1.6 kW	12v	S/A	2.1 cc	9/16" UNO	7.5 L	2500 psi
16DA030H213B	1436.00	1.6 kW	12v	S/A	2.1 cc	9/16" UNO	10 L	2500 psi
16DB030H211A	1378.00	2.2 kW	24v	S/A	2.1 cc	9/16" UNO	3.8 L	2500 psi
16DB030H212A	1378.00	2.2 kW	24v	S/A	2.1 cc	9/16" UNO	5.7 L	2500 psi
16DB030H212B	1436.00	2.2 kW	24v	S/A	2.1 cc	9/16" UNO	7.5 L	2500 psi
16DB030H213B	1436.00	2.2 kW	24v	S/A	2.1 cc	9/16" UNO	10 L	2500 psi



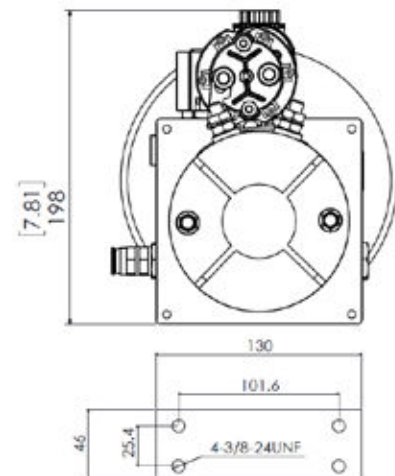
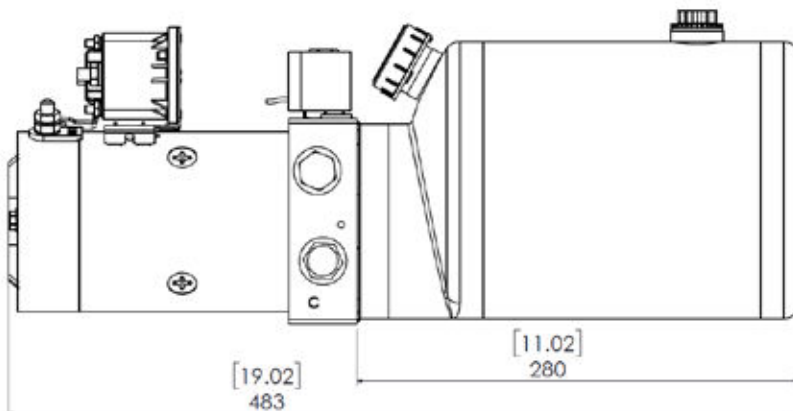
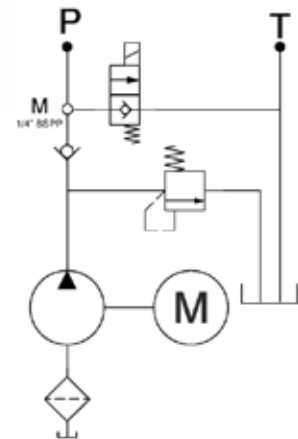
Intermittent use only

Other tank size option on page 54

Flow control cartridge can fit centre block

Dimensions (mm)

Tank Size	Length	Width	Height
3.8 L	483	198	200
5.7 L	553	198	200
7.5 L	483	198	200
10 L	540	198	200
15 L	713	198	200



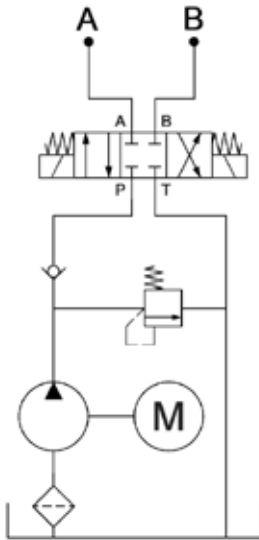
Double Acting Power Unit (DC) - Maximum Pressure 3000psi

Part #	List Price \$	Power	Volts	Function	Pump	Ports	Tank Usable	Relief Set
16DA131ZH211A	1519.00	1.6 kW	12v	D/A	2.1 cc	9/16" UNO	3.8 L	2500 psi
16DA131ZH212A	1519.00	1.6 kW	12v	D/A	2.1 cc	9/16" UNO	5.7 L	2500 psi
16DA131ZH212B	1578.00	1.6 kW	12v	D/A	2.1 cc	9/16" UNO	7.5 L	2500 psi
16DA131ZH213B	1578.00	1.6 kW	12v	D/A	2.1 cc	9/16" UNO	10 L	2500 psi
16DB131ZH211A	1519.00	2.2 kW	24v	D/A	2.1 cc	9/16" UNO	3.8 L	2500 psi
16DB131ZH212A	1519.00	2.2 kW	24v	D/A	2.1 cc	9/16" UNO	5.7 L	2500 psi
16DB131ZH212B	1578.00	2.2 kW	24v	D/A	2.1 cc	9/16" UNO	7.5 L	2500 psi
16DB131ZH213B	1578.00	2.2 kW	24v	D/A	2.1 cc	9/16" UNO	10 L	2500 psi



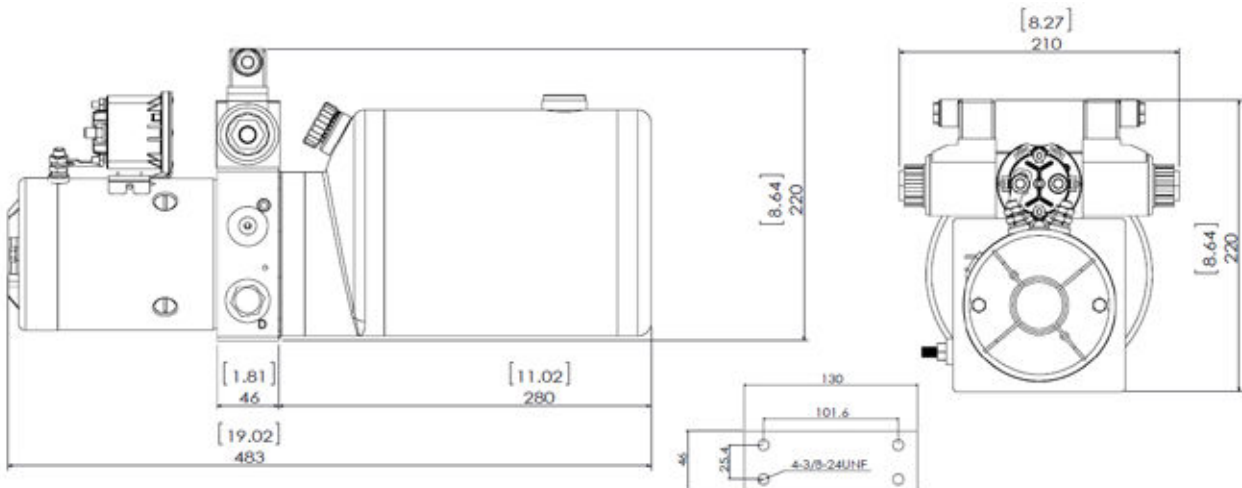
Intermittent use only

Other tank size options on page 54



Dimensions (mm)

Tank Size	Length	Width	Height
3.8 L	483	210	220
5.7 L	553	210	220
7.5 L	483	210	220
10 L	540	210	220
15 L	713	210	220



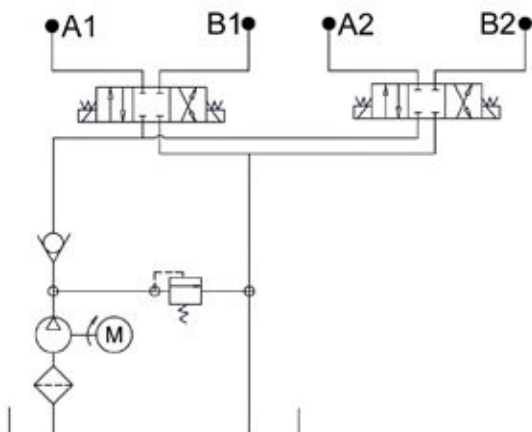
Double Acting x 2 Power Unit (DC) - Maximum Pressure 3000psi

Part #	List Price \$	Power	Volts	Function	Pump	Ports	Tank Usable	Relief Set
16DA132ZH212B	2001.00	1.6 kW	12v	2 x D/A	2.1 cc	9/16" UNO	7.5 L	2500 psi
16DB132ZH212B	2001.00	2.2 kW	24v	2 x D/A	2.1 cc	9/16" UNO	7.5 L	2500 psi

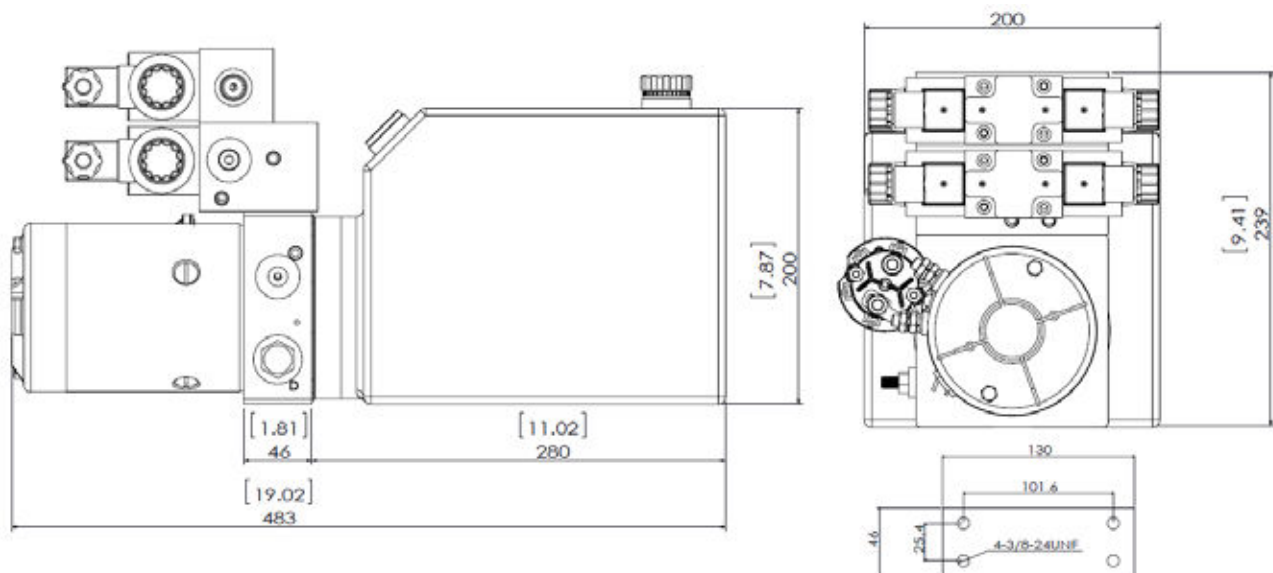


Intermittent use only

Other tank size option on page 54



Dimensions (mm)			
Tank Size	Length	Width	Height
3.8 L	483	200	239
5.7 L	553	200	239
7.5 L	483	200	239
10 L	540	200	239
15 L	713	200	239



Double Acting Power Unit with Hand Pump (DC) - Maximum Pressure 3000psi

	Part #	List Price \$	Power	Volts	Function	Pump	Ports	Tank Usable	Relief Set
NEW	16DA131ZH211AHP COV	2354.00	1.6 kW	12v	D/A	2.1 cc	9/16" UNO	3.8 L	2500 psi
NEW	16DB131ZH211AHP COV	2354.00	2.2 kW	24v	D/A	2.1 cc	9/16" UNO	5.7 L	2500 psi

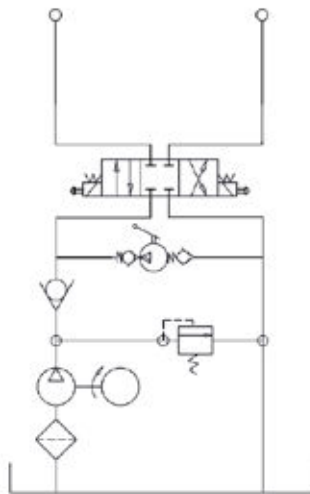


Intermittent use only

Other tank size options on page 54

Manual override cetop valve

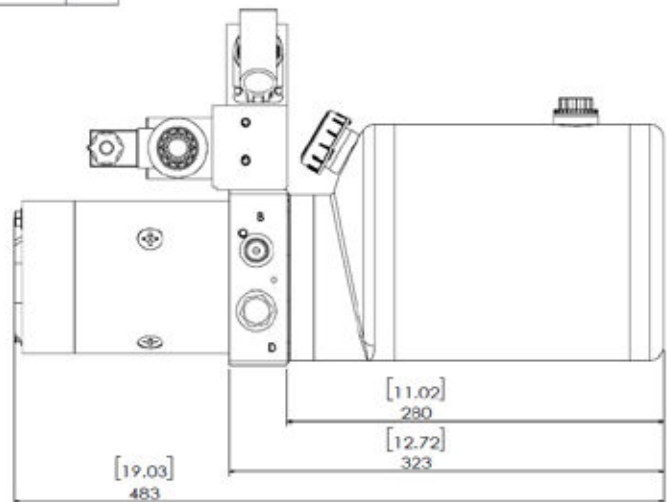
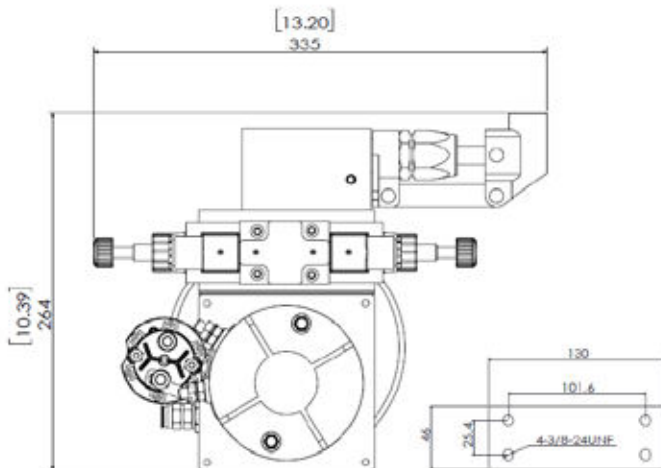
4.5cc hand pump



Dimensions (mm)

Tank Size	Length	Width	Height
3.8 L	483	200	264*
5.7 L	553	200	264*
7.5 L	483	200	264*
10 L	540	200	264*
15 L	713	200	264*

* height not including handle



Double Acting x 2 Power Unit (DC) - Maximum Pressure 3000psi

Part #	List Price \$	Power	Volts	Function	Pump	Ports	Tank Usable	Relief Set
16DA132ZH211A SV	2060.00	1.6 kW	12v	2 x D/A	2.1 cc	1/4" BSP	3.8 L	2500 psi
16DB132ZH211A SV	2060.00	2.2 kW	24v	2 x D/A	2.1 cc	1/4" BSP	3.8 L	2500 psi

Double Acting x 3 Power Unit (DC) - Maximum Pressure 3000psi

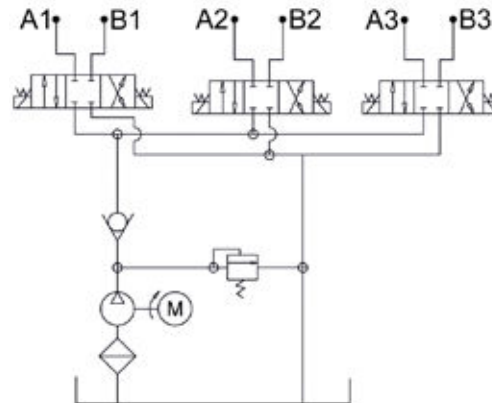
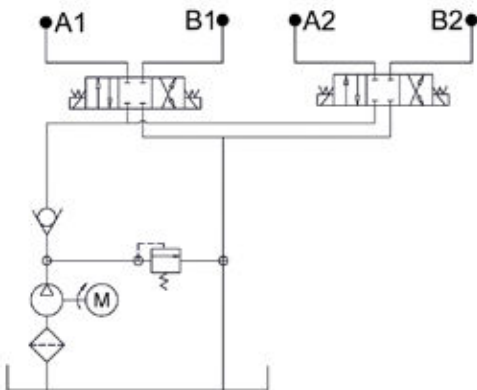
Part #	List Price \$	Power	Volts	Function	Pump	Ports	Tank Usable	Relief Set
16DA133ZH213B SV	2373.00	1.6 kW	12v	3 x D/A	2.1 cc	1/4" BSP	10 L	2500 psi
16DB133ZH213B SV	2373.00	2.2 kW	24v	3 x D/A	2.1 cc	1/4" BSP	10 L	2500 psi



132



133



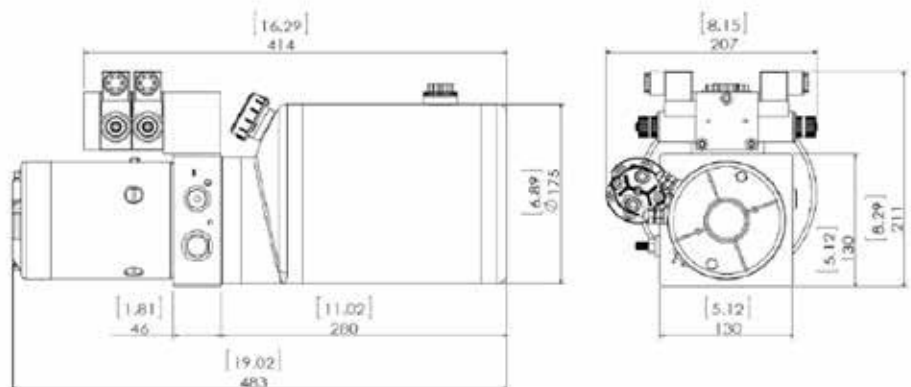
Intermittent use only

Other tank size option on page 54

Configuration options on page 36

Dimensions (mm)

Tank	Length	Width	Height
3.8 L	483	207	211
5.7 L	553	207	211
7.5 L	483	207	211
10 L	540	207	211
15 L	713	207	211

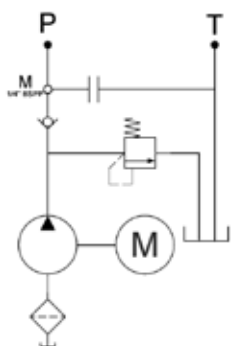


High Power 2.5 kW Power Unit (DC) - Maximum Pressure 3000psi

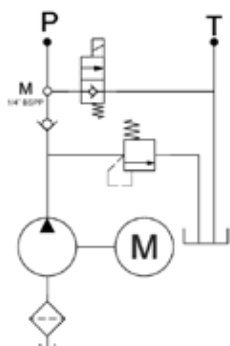
Part #	List Price \$	Power	Volts	Function	Pump	Ports	Tank Usable	Relief Set
25DA010H323B	1719.00	2.5 kW	12v	P + T	3.2 cc	9/16" UNO	10 L	2500 psi
25DA030H323B	1829.00	2.5 kW	12v	S/A	3.2 cc	9/16" UNO	10 L	2500 psi
25DA131ZH323B	1848.00	2.5 kW	12v	D/A	3.2 cc	9/16" UNO	10 L	2500 psi
25DB010H323B	1719.00	2.8 kW	24v	P + T	3.2 cc	9/16" UNO	10 L	2500 psi
25DB030H323B	1829.00	2.8 kW	24v	S/A	3.2 cc	9/16" UNO	10 L	2500 psi
25DB131ZH323B	1848.00	2.8 kW	24v	D/A	3.2 cc	9/16" UNO	10 L	2500 psi



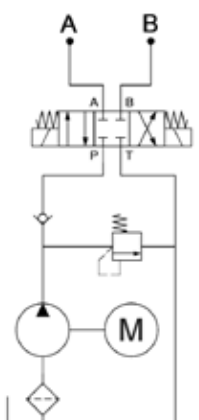
Intermittent use only



010

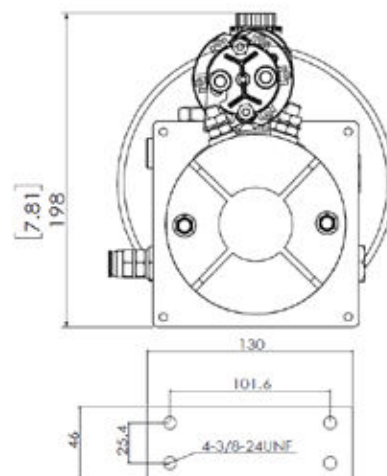
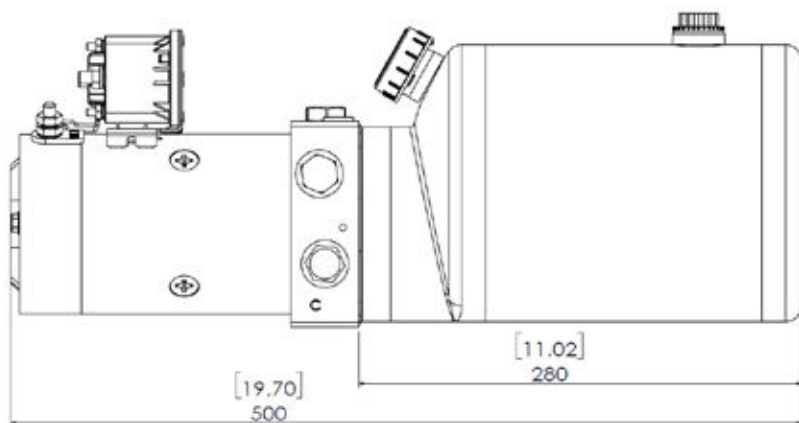


030



131

Dimensions (mm)			
Part	Length	Width	Height
DA010	549	200	200
DB010	583	200	200
DA030	549	200	200
DB030	583	200	200
DA131	549	210	220
DB131	583	210	220



High Power 3 kW Power Unit (DC) - Maximum Pressure 3000psi

Part #	List Price \$	Power	Volts	Function	Pump	Ports	Tank Usable	Relief Set
30DA010H373B	2608.00	3.0 kW	12v	P + T	3.7 cc	9/16" UNO	10 L	2500 psi
30DA030H373B	2729.00	3.0 kW	12v	S/A	3.7 cc	9/16" UNO	10 L	2500 psi
30DA131ZH373B	2802.00	3.0 kW	12v	D/A	3.7 cc	9/16" UNO	10 L	2500 psi



Dimensions (mm)			
Part	Length	Width	Height
010	622	200	231
030	622	200	231
131	644	224	210



Intermittent use only

500 amp heavy duty start solenoid

High Power 4 kW Power Unit (DC) - Maximum Pressure 3000psi

Part #	List Price \$	Power	Volts	Function	Pump	Ports	Tank Usable	Relief Set
40DB010H423B	2789.00	4.0 kW	24v	P + T	4.2 cc	9/16" UNO	10 L	2500 psi
40DB030H423B	2910.00	4.0 kW	24v	S/A	4.2 cc	9/16" UNO	10 L	2500 psi
40DB131ZH423B	3032.00	4.0 kW	24v	D/A	4.2 cc	9/16" UNO	10 L	2500 psi

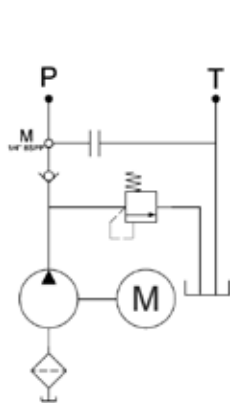


Dimensions (mm)			
Part	Length	Width	Height
010	678	200	232
030	678	200	232
131	678	210	239

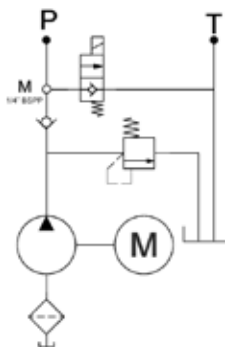


Intermittent use only

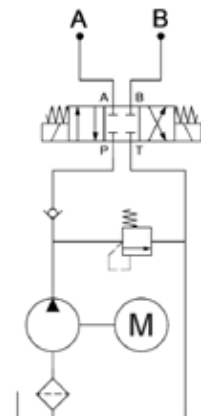
Hi-powered & cooled for longer run-time



010



030



131

Power Unit 1.1 kW (AC) 240v

Part #	List Price \$	Power	Volts	Function	Pump	Ports	Tank Usable	Relief Set
15AA010H112B	1790.00	1.1 kW	240v	P + T	1.1 cc	9/16" UNO	7.5 L	2500 psi
15AA131CH112B	1978.00	1.1 kW	240v (24v DC Coils)	D/A	1.1 cc	9/16" UNO	7.5 L	2500 psi

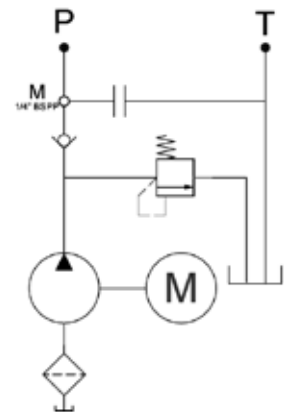
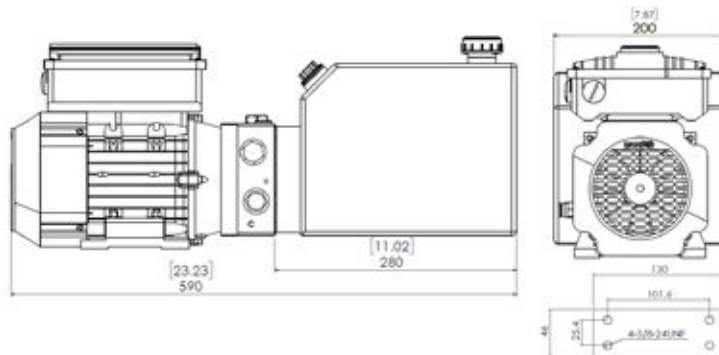
MOCEN®



Dimensions (mm)			
Part	Length	Width	Height
010	590	200	238
131	590	210	238

Intermittent use only

D/A has 24v DC coils unless specified



010

Power Unit 2.2 kW (AC) 240v

Part #	List Price \$	Power	Volts	Function	Pump	Ports	Tank Usable	Relief Set
30AA010H213B	2166.00	2.2 kW	240v	P + T	2.1 cc	9/16" UNO	10 L	2500 psi
30AA131CH213B	2378.00	2.2 kW	240v (24v DC Coils)	D/A	2.1 cc	9/16" UNO	10 L	2500 psi

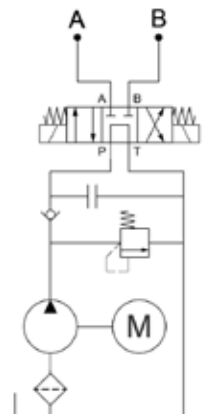
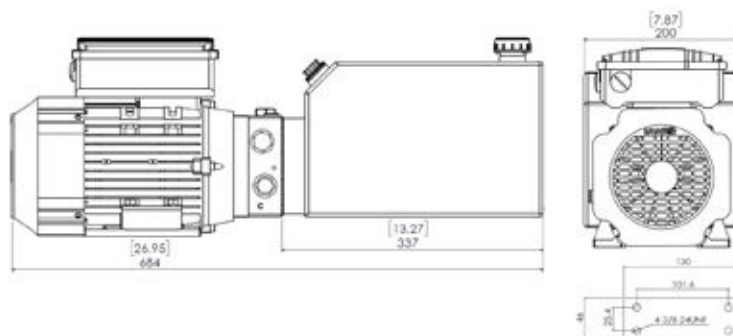
MOCEN®



Dimensions (mm)			
Part	Length	Width	Height
010	689	200	256
131	689	210	256

Intermittent use only

D/A has 24v DC coils unless specified



131

Power Unit 1.1 kW (AC) 415v

Part #	List Price \$	Power	Volts	Function	Pump	Ports	Tank Usable	Relief Set
15AC010H112B	1666.00	1.1 kW	415v	P + T	1.1 cc	9/16" UNO	7.5 L	2500 psi
15AC131CH112B	1837.00	1.1 kW	415v (24v DC Coils)	D/A	1.1 cc	9/16" UNO	7.5 L	2500 psi



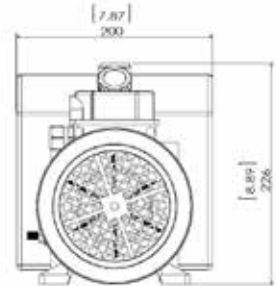
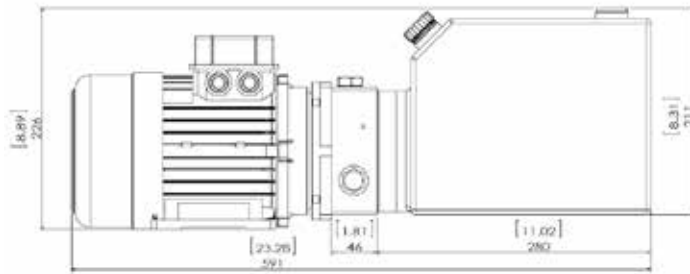
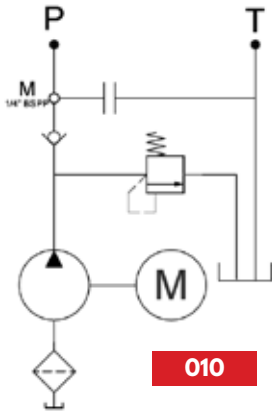
Dimensions (mm)

Part	Length	Width	Height
010	591	200	226
131	591	210	245



Intermittent use only

D/A has 24v DC coils unless specified



Power Unit 2.2 kW (AC) 415v

Part #	List Price \$	Power	Volts	Function	Pump	Ports	Tank Usable	Relief Set
30AC010H213B	2225.00	2.2 kW	415v	P + T	2.1 cc	9/16" UNO	10 L	2500 psi
30AC131CH213B	2366.00	2.2 kW	415v (24v DC Coils)	D/A	2.1 cc	9/16" UNO	10 L	2500 psi



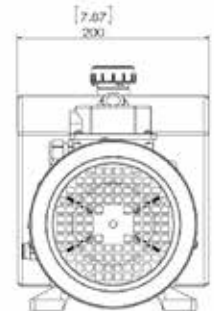
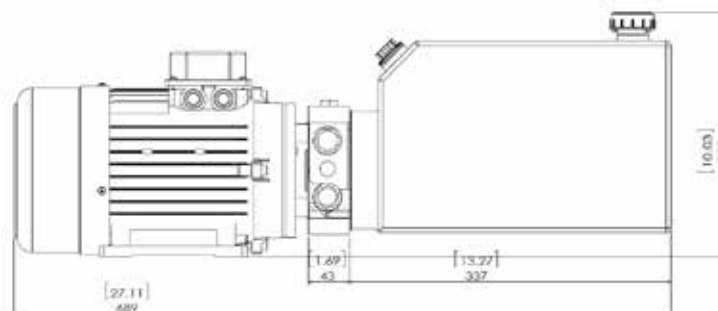
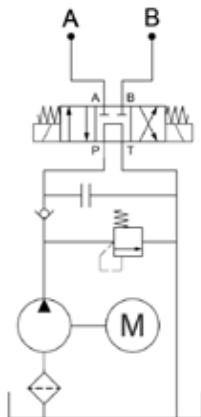
Dimensions (mm)

Part	Length	Width	Height
010	689	200	255
131	689	210	255



Intermittent use only

D/A has 24v DC coils unless specified



Power Unit 3.0 kW (AC) 415v

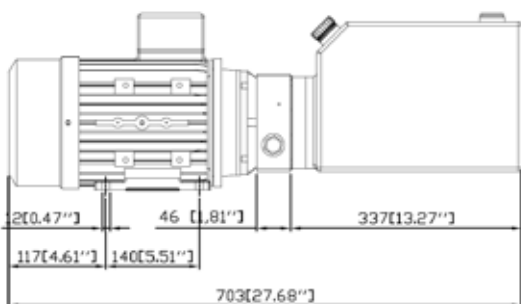
Part #	List Price \$	Power	Volts	Function	Pump	Ports	Tank Usable	Relief Set
40AC010H273B	2225.00	3 kW	415v	P + T	2.7 cc	9/16" UNO	10 L	2500 psi
40AC131CH273B	2413.00	3 kW	415v (24v DC Coils)	D/A	2.7 cc	9/16" UNO	10 L	2500 psi

MOCEN®



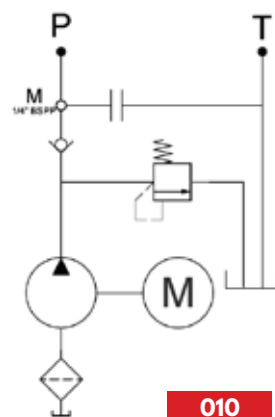
Intermittent use only

D/A has 24v DC coils unless specified



Dimensions (mm)

Part	Length	Width	Height
010	703	200	280
131	703	216	258



Power Unit 4.0 kW (AC) 415v

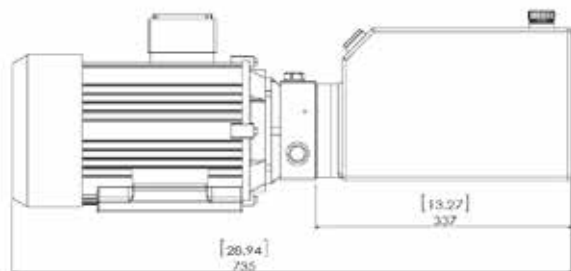
Part #	List Price \$	Power	Volts	Function	Pump	Ports	Tank Usable	Relief Set
50AC010H373B	2402.00	4 kW	415v	P + T	3.7 cc	9/16" UNO	10 L	2500 psi
50AC131CH373B	2602.00	4 kW	415v (24v DC Coils)	D/A	3.7 cc	9/16" UNO	10 L	2500 psi

MOCEN®



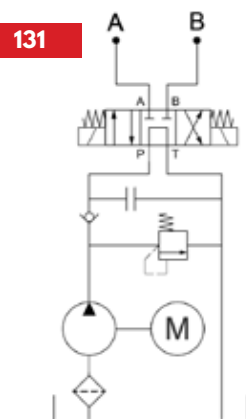
Intermittent use only

D/A has 24v DC coils unless specified



Dimensions (mm)

Part	Length	Width	Height
010	739	200	264
131	739	210	263



Engine Power Unit 6HP

Part #	List Price \$	Power	Fuel	Function	Pump	Ports	Tank Usable	Relief Set
60PE010H278B	4120.00	6.7 HP	Unleaded	P + T	2.7 cc	9/16" UNO	18 L	2500 psi
60PE131CH278B	4591.00	6.7 HP	Unleaded	D/A	2.7 cc	9/16" UNO	18 L	2500 psi

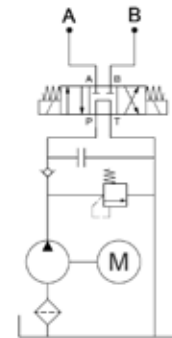
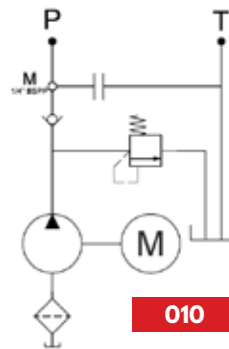
Engines

Note: please check power/torque graphs before selecting an engine

Part #	List Price \$	Make	Fuel	Power	Start	Engine Mount BCD	Mounting Spigot	Shaft	Key
CH270-0021	2534.00	Kohler	Unleaded	6.7HP @ 3600rpm	Pull/elec	92mm	-	3/4"	3/16"
CH440-3280	4058.00	Kohler	Unleaded	14HP @ 3600rpm	Pull/elec	127mm	146mm	1"	1/4"
L70N5-METMRYIS	7469.00	Yanmar	Diesel	6.1HP @ 3000rpm	Pull/elec	127mm	146mm	1"	1/4"
L100N5-METMRYIS	8839.00	Yanmar	Diesel	8.8HP @ 3000rpm	Pull/elec	127mm	146mm	1"	1/4"

Power Unit Kits for DIY Engines

Part #	List Price \$	Function	Pump Group	Pump	Tank	Ports	Engine Mount BCD	Shaft	Key
GEU(07)010H278B	2971.00	P + T	Group 1	2.7cc	18 L	9/16" UNO	92mm	3/4"	3/16"
GEU(07)131CH278B	3235.00	D/A	Group 1	2.7cc	18 L	9/16" UNO	92mm	3/4"	3/16"
GEU(14)010H278B	3296.00	P + T	Group 1	2.7cc	18 L	9/16" UNO	127mm	1"	1/4"
GEU(14)131CH278B	3496.00	D/A	Group 1	2.7cc	18 L	9/16" UNO	127mm	1"	1/4"



Part #	Model	Mounting	Function	Valve Type	Unload Valve	Suction	Pump CC	Tank	Special
	GEU	(07)	010	-	-	H	27	8B	-

MOUNTING

(07)	92mm BCD 3/4" shaft
(14)	127mm BCD 1" shaft

FUNCTION

010	P & T
030	Single acting
03M	Single acting w/ override
131	1 x double acting (cetop)
132	2 x double acting (cetop)
132	2 x double acting (sandwich)
132S	2 x double acting series manifold
133	3 x double acting (sandwich)
133S	3 x double acting series manifold

UNLOAD VALVE

U	Unload Valve
-	No Unload

SUCTION

H	Horizontal Mount
----------	------------------

VALVE TYPE

Z-1	Closed Centre (12v DC)
C-1	Tandem Centre (12v DC)
H-1	Open Centre (12v DC)
Y-1	A & B to T (12v DC)
S-1	Crossover S/A (12v DC)

Technical info - see pages 241-253

PUMP

27	2.7 cc
32	3.2 cc
37	3.7 cc
42	4.2 cc
48	4.8 cc
58	5.8 cc
70	7.0 cc
80	8.0 cc

Technical information - see page 53

TANK

8B	MT18AB 18L
1K	OTK012 21L
2K	OTK010AB 38L
4H	HR4ABC 22L
5H	HR5ABC 30L
6H	HR6ABC 38L
MP	No tank
MPR	No tank, no relief

Technical information - see page 54

SPECIAL

MPR	Motor pump w/ relief valve
MP	Motor pump
SV	Sandwich valve
SVHP	Sandwich valve handpump
SVM	Sandwich valve manual override
COV	Cetop override
HP	Cetop handpump
V	Vivoil pump

Multiple special options separated by /



DC Motors

Part #	List Price \$	Power	Voltage	Rated Current	Rated Speed	IP	Duty Cycle	
							S2	S3
235A-FS-A	432.00	350 W	12v	40a	1700 rpm	54	2 min	3%
235B-FS-A	432.00	350 W	24v	25a	1800 rpm	54	2 min	3%
308AS-2-A	495.00	800 W	12v	105a	3200 rpm	54	2 min	3%
308BS-2-A	495.00	800 W	24v	50a	3200 rpm	54	2 min	3%
416A-2	666.00	1.6 kW	12v	190a	2600 rpm	54	2 min	8%
422B-2	666.00	2.2 kW	24v	120a	2700 rpm	54	2 min	8%
425A-2	754.00	2.5 kW	12v	280a	2400 rpm	54	2 min	8%
428B-2	895.00	2.8 kW	24v	150a	3400 rpm	54	2 min	8%
530A-F	1564.00	3.0 kW	12v	450a	1850 rpm	54	5 min	9%
540B-2-J	1834.00	4.0 kW	24v	215a	2700 rpm	54	8 min	15%



235B



308BS



416A



428B



530A

Start Solenoids

Part #	List Price \$	Rated Amp	Voltage	Duty Max	Power Unit
SR3A2	181.00	250a	12v	6 min	1.6, 2.5, 4.0 kW DC
SR3B2	181.00	250a	24v	6 min	1.6, 2.5, 4.0 kW DC
SR5A2	313.00	500a	12v	6 min	3.0 kW DC 12vc



SR3



SR5

Solenoids

Part #	List Price \$	Voltage	Amp	Core Size	Length	Connector
S2D12-08	55.00	12v DC	1.5a	13.3mm	37.5mm	2 wire
S2D24-08	55.00	24v DC	0.75a	13.3mm	37.5mm	2 wire
D1D12-08	71.00	12v DC	1.5a	13.3mm	37.5mm	3 pin DIN plug
D1D24-08	71.00	24v DC	0.75a	13.3mm	37.5mm	3 pin DIN plug
D1A220-08	71.00	220v AC	0.08a	13.3mm	37.5mm	3 pin DIN plug

S2D



D1D



See page 66 for DIN Connectors



AC Motors Standard Series (240v)

Part #	List Price \$	Power	Voltage	Amp Draw	Speed	Frame
E11S-2-80-B34	970.00	1.1 kW	220/240v	6.7a	2800 rpm	80
E22S-2-90L-B34	1111.00	2.2 kW	220/240v	9.7a	2800 rpm	90



Cross Reference To Power Unit Part

15AA	E11S-2-80-B34
30AA	E22S-2-90L-B34

AC Motors Standard Series (415v)

Part #	List Price \$	Power	Voltage	Amp Draw	Speed	Frame
E11T-2-80-B34	701.00	1.1 kW	380/415v	2.49a	2800 rpm	80
E22T-2-90L-B34	852.00	2.2 kW	380/415v	4.67a	2800 rpm	90
E30T-2-100L-B34	1347.00	3.0 kW	380/415v	6.22a	2800 rpm	100
E40T-2-112M-B34	1715.00	4.0 kW	380/415v	10.5a	2800 rpm	112



Cross Reference To Power Unit Part

15AC	E11T-2-80-B34
30AC	E22T-2-90L-B34
40AC	E30T-2-100L-B34
50AC	E40T-2-112M-B34

AC Motors BP13 Series (240v AC) IP55

Part #	List Price \$	Power	Full Load	RPM	Frame	Shaft
EM1-4-0.25-14-71-B34	520.00	0.25 kW	1.9 amp	1320	71	14 mm
EM1-4-0.37-14-71-B34	566.00	0.37 kW	2.7 amp	1380	71	14 mm
EM1-4-0.55-19-80-B34	716.00	0.55 kW	3.6 amp	1400	80	19 mm
EM1-4-0.75-19-80-B34	788.00	0.75 kW	4.5 amp	1410	80	19 mm
EM1-4-1.1-24-90-B34	944.00	1.1 kW	6.5 amp	1410	90	24 mm
EM1-4-1.5-24-90-B34	1144.00	1.5 kW	8.7 amp	1420	90	24 mm
EM1-4-2.2-28-100-B34	1456.00	2.2 kW	12.1 amp	1430	100	28 mm
EM1-4-3-28-100-B34	1724.00	3 kW	16.3 amp	1440	100	28 mm
EM-4-3.7-28-100-B34	2613.00	3.7 kW	19.8 amp	1440	100	28 mm



AC Motors BP13 Series (415v AC) IP55

Part #	List Price \$	Power	Full Load	RPM	Frame	Shaft
EM3-4-0.25-14-71-B34	336.00	0.25 kW	0.75 amp	1380	71	14 mm
EM3-4-0.37-14-71-B34	344.00	0.37 kW	1.03 amp	1380	71	14 mm
EM3-4-0.55-14-71-B34	444.00	0.55 kW	1.60 amp	1400	80	19 mm
EM3-4-0.55-19-80-B34	488.00	0.55 kW	1.63 amp	1400	80	19 mm
EM3-4-0.75-19-80-B34	620.00	0.75 kW	1.94 amp	1410	90	24 mm
EM3-4-1.1-24-90-B34	777.00	1.1 kW	2.6 amp	1410	90	24 mm
EM3-4-1.5-24-90-B34	944.00	1.5 kW	3.4 amp	1420	90	24 mm
EM3-4-2.2-24-90-B34	1060.00	2.2 kW	5.1 amp	1430	90	24 mm
EM3-4-2.2-28-100-B34	1148.00	2.2 kW	4.6 amp	1430	100	28 mm
EM3-4-3-28-100-B34	1244.00	3.0 kW	6.3 amp	1440	100	28 mm
EM3-4-4-28-112-B34	1624.00	4.0 kW	8.2 amp	1440	100	28 mm



Gear Pumps - Premium Tang Drive

Part #	List Price \$	CC	Max Pressure	Min Speed	Max Speed
B1P1643HZZB	353.00	0.91	240 bar	700 rpm	4000 rpm
B1P1743HZZB	353.00	1.17	250 bar	700 rpm	4000 rpm
B1P1843HZZB	338.00	1.56	250 bar	700 rpm	4000 rpm
B1P2043HZZB	338.00	2.08	250 bar	700 rpm	4000 rpm
B1P2143HZZB	338.00	2.6	250 bar	700 rpm	4000 rpm
B1P2343HZZB	338.00	3.12	220 bar	700 rpm	4000 rpm
B1P2543HZZB	338.00	3.64	220 bar	700 rpm	4000 rpm
B1P2743HZZB	338.00	4.16	200 bar	700 rpm	4000 rpm
B1P3143HZZB	364.00	5.85	170 bar	700 rpm	3500 rpm
B1P3443HZZB	364.00	7.8	110 bar	700 rpm	3500 rpm



MADE IN EUROPE

Gear Pumps - Standard Tang Drive

Part #	List Price \$	CC	Max Pressure	Min Speed	Max Speed
G110	269.00	1.1	210 bar	600 rpm	6000 rpm
G160	269.00	1.6	210 bar	600 rpm	6000 rpm
G210	269.00	2.1	210 bar	600 rpm	6000 rpm
G270	269.00	2.7	210 bar	600 rpm	6000 rpm
G320	269.00	3.2	190 bar	600 rpm	5000 rpm
G370	269.00	3.7	190 bar	600 rpm	4500 rpm
G420	269.00	4.2	190 bar	600 rpm	4000 rpm
G480	269.00	4.8	170 bar	600 rpm	3500 rpm
G580	269.00	5.8	170 bar	600 rpm	3000 rpm
G800	269.00	8	110 bar	600 rpm	2100 rpm



Gear Pumps - Premium Cylindrical, BP13 Series / Petrol Power Units

Part #	List Price \$	CC	Rated Pressure	Max / Min Speed
7P1644003	611.00	0.9	240 bar	700/6000 rpm
7P1744002	611.00	1.2	250 bar	700/6000 rpm
7P1844003	611.00	1.7	250 bar	700/6000 rpm
7P2044002	611.00	2.1	250 bar	700/6000 rpm
7P2144001	611.00	2.7	250 bar	700/6000 rpm
7P2344002	611.00	3.2	250 bar	700/6000 rpm
7P2544001	611.00	3.7	250 bar	700/6000 rpm
7P2744001	611.00	4.2	250 bar	700/6000 rpm
7P2944001	644.00	4.8	250 bar	700/6000 rpm
7P3144002	644.00	5.8	250 bar	700/5000 rpm
7P3244001	644.00	7.0	250 bar	700/5000 rpm
7P3444003	644.00	8.0	220 bar	700/5000 rpm
7P3644001	644.00	9.8	181 bar	700/4000 rpm



MADE IN EUROPE

Gear Pumps - Standard Cylindrical, BP 13 Series / Petrol Power Units

Part #	List Price \$	CC	Max Pressure	Min Speed	Max Speed
G110S-S1	410.00	1.1	210 bar	600 rpm	6000 rpm
G210S-S1	410.00	2.1	210 bar	600 rpm	6000 rpm
G270S-S1	410.00	2.7	210 bar	600 rpm	6000 rpm
G380S-S1	410.00	3.8	190 bar	600 rpm	4500 rpm
G420S-S1	410.00	4.2	190 bar	600 rpm	4000 rpm
G480S-S1	410.00	4.8	170 bar	600 rpm	3500 rpm
G580S-S1	410.00	5.8	170 bar	600 rpm	3000 rpm
G800S-S1	410.00	8	110 bar	600 rpm	2100 rpm



Power Unit Tank - MS Series - Steel

Part #	List Price \$	Usable Litres	Length	Cylinder ø
MS1AB	141.00	1.0 L	160mm	122mm
MS2AB	146.00	1.4 L	200mm	122mm
MS4AB	157.00	2.4 L	300mm	122mm
MS6AB	167.00	3.3 L	400mm	122mm



Power Unit Tank - LS Series - Steel

Part #	List Price \$	Usable Litres	Length	Cylinder ø
LS0AB	130.00	3.0 L	240mm	177mm
LS1AB	167.00	3.8 L	280mm	177mm
LS2AB	163.00	5.7 L	350mm	177mm



Power Unit Tank - MT Series - Steel

Part #	List Price \$	Usable Litres	Length	Width	Height
MT0AB	162.00	2.5 L	160mm	140mm	220mm
MT2AB	185.00	7.5 L	280mm	200mm	200mm
MT3AB	195.00	10 L	335mm	200mm	200mm
MT4AB	189.00	12 L	395mm	200mm	200mm
MT5AB	216.00	15 L	510mm	200mm	200mm
MT6AB	270.00	19 L	625mm	200mm	200mm
MT18AB	410.00	18 L	300mm	280mm	300mm



Power Unit Tank - HR Series - Steel

Part #	List Price \$	Usable Litres	Length	Width	Height
HR4ABC	270.00	22 L	380mm	250mm	300mm
HR5ABC	325.00	30 L	500mm	250mm	300mm
HR6ABC	377.00	38 L	600mm	250mm	300mm



Power Unit Tank - RP Series - Nylon

Part #	List Price \$	Usable Litres	Length	Width	Height
RPOAB	85.00	2.3 L	198mm	173mm	173mm
RP2AB	91.00	6 L	332mm	173mm	173mm



Please note: All tank measurements on this page include tank flange!

Power Unit Tank Accessories

Part #	List Price \$	Description
PUMT	57.00	Suits all power units with 130mm centre manifold
TKBR	26.00	Tank breather 3/4" NPT
TKBP	12.00	Tank plug 3/4" NPT
FLST120	50.00	Weld flange for power unit mount
DMC01	50.00	DC power unit dust cover



PUMT



TKBR



TKBP



FLST120



DMC01

MOCEN®