

CATFORD

Jamestown

SA 5491

ENGINEERING PRODUCTS

All Prices Excluding GST

Phone: 0418 641 566

www.catford.com.au sales@catford.com.au

Power Transmission

- *Bell Housings
- *Motor & Pump Side Couplings
- *PTO Speed Increase Gearboxes
- *EM Clutches
- *Spline Drive Couplings, Bearing Mounts,
- *Vibration Absorbers
- *Gaskets





Lot 25, Mannanarie Road, Jamestown, South Australia 5491

PO Box 178, Jamestown, South Australia 5491



0418 641 566



sales@catford.com.au

Due to fluctuations in the Australian dollar and the economic climate, please be advised that all prices are subject to change.
Please contact us to confirm pricing.

All prices stated within are exclusive of GST
(All prices are correct as of January 1st 2024, but Catford Engineering reserve the right to change these prices without notice)

Power Transmission

CATFORD Jamestown
SA 5491
ENGINEERING
PRODUCTS

Phone: 0418 641 566

www.catford.com.au sales@catford.com.au

Order Codes for HEX-FLX Flywheel Coupling

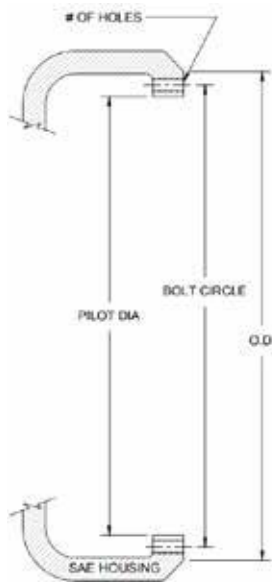
Flywheel Drive Plate	HEX-FLX Hub	Pump Mount Plate
B-065 6-1/2" Flywheel	HB2-05 5/8" Straight Keyed	GN2 SAE A/SAE 5

Full example part number: B-065-HB2-05-GN2

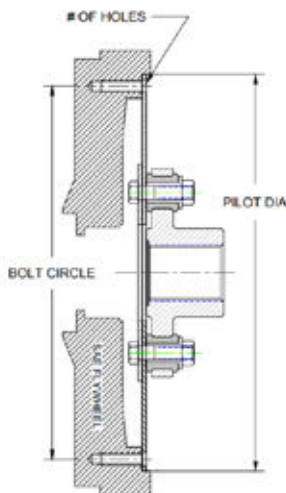
FLYWHEEL DRIVE PLATE	List Price \$
B-065	186.00
C-075	195.00
C-080	195.00
C-010	229.00
DT-115	422.00

HEX-FLX HUB	List Price \$
HB2-39	200.00
HB2-07	193.00
HB1-41	193.00
HB1-43	193.00
HB2-88	214.00
HB1-91	214.00
HB2-92	214.00
HB1-89	321.00
HC1-39	257.00
HC1-07	257.00
HC1-41	257.00
HC1-43	257.00
HC1-88	332.00
HC1-91	279.00
HC1-92	279.00
HC1-89	279.00
HC1-94	332.00
HC4-91	428.00
HC5-39	407.00
HC4-09	407.00
HC3-07	450.00
HC3-41	450.00
HC3-43	450.00
HC4-88	471.00
HC3-91	471.00
HC3-92	471.00
HC3-89	471.00
HC3-94	471.00
HDT3-S3	696.00
HDT2-90	696.00
HDT1-92	696.00

PUMP MOUNT PLATE	List Price \$
HN2	1266.00
HO2	1202.00
HO4	1202.00
GN2	1017.00
GO2	1017.00
GO24	1017.00
GX4	1017.00
ESP1	1092.00
EO2	1092.00
EO24	1092.00
EX24	1092.00
EX4	1092.00
DO24	1247.00
DX24	1247.00
DS4	1247.00
CO24	1734.00
CX2	1734.00
CX4	1734.00
CS4	1734.00



SAE Housing



SAE Flywheel

MADE IN U.S.A.



For more details please visit
www.hayescouplings.com

Flywheel Drive Plates

Part #	Flywheel	Pump	Flywheel Dimensions			HP Range
			Bolt Circle	Pilot Diameter	# of Holes	
B-065	6-1/2"	SAE A/B/C	200.025mm 7.875"	215.9mm 8.5"	6 @ 8.7mm	30-75 hp
C-075	7-1/2"	SAE A/B/C	222.25mm 8.75"	241.3mm 9.5"	8 @ 8.7mm	65-175 hp
C-080	8"	SAE A/B	263.52mm 10.375"	244.47mm 9.625"	6 @ 10.5mm	65-175 hp
C-010	10"	SAE A/B/C	295.2mm 11.625"	314.325mm 12.375"	8 @ 10.5mm	65-175 hp
DT-115	11-1/2"	SAE C/D/E	352.42mm 13.875"	33.37mm 13.125"	8 @ 10.5mm	200-600 hp

Pump Shaft Coupling HEX-FLX Hubs

Part #	Flywheel	Shaft Size	Spline OD	Keyway	Pump Flange	Torque		HP Rating
						Nominal	Max	
HB2-39	6.1/2"	5/8" Straight Keyed	-	5/32"	SAE A	225	365	20-75 hp
HB2-07	6.1/2"	3/4" Straight Keyed	-	3/16"	SAE A	225	365	20-75 hp
HB1-41	6.1/2"	7/8" Straight Keyed	-	1/4"	SAE B	225	365	20-75 hp
HB1-43	6.1/2"	1.1/4" Straight Keyed	-	5/16"	SAE C	225	365	20-75 hp
HB2-88	6.1/2"	9 Tooth Spline	5/8"	-	SAE A	225	365	20-75 hp
HB1-91	6.1/2"	13 Tooth Spline	7/8"	-	SAE B	225	365	20-75 hp
HB2-92	6.1/2"	14 Tooth Spline	1.1/4"	-	SAE C	225	365	20-75 hp
HB1-89	6.1/2"	15 Tooth Spline	1"	-	SAE A	225	365	20-75 hp
HC1-39	7.1/2"	5/8" Straight Keyed	-	5/32"	SAE A	585	1125	75-200 hp
HC1-07	7.1/2"	3/4" Straight Keyed	-	3/16"	SAE A	585	1125	75-200 hp
HC1-41	7.1/2"	7/8" Straight Keyed	-	1/4"	SAE B	585	1125	75-200 hp
HC1-43	7.1/2"	1.1/4" Straight Keyed	-	5/16"	SAE C	585	1125	75-200 hp
HC1-88	7.1/2"	9 Tooth Spline	5/8"	-	SAE A	585	1125	75-200 hp
HC1-91	7.1/2"	13 Tooth Spline	7/8"	-	SAE B	585	1125	75-200 hp
HC1-92	7.1/2"	14 Tooth Spline	1.1/4"	-	SAE C	585	1125	75-200 hp
HC1-89	7.1/2"	15 Tooth Spline	1"	-	SAE B	585	1125	75-200 hp
HC1-94	7.1/2"	21 Tooth Spline	1.3/8"	-	SAE C	585	1125	75-200 hp
HC4-91	8"	13 Tooth Spline	7/8"	-	SAE B	585	1125	75-200 hp
HC5-39	8"	5/8" Straight Keyed	-	5/32"	SAE A	585	1125	75-200 hp
HC4-09	8"	7/8" Straight Keyed	-	3/16"	SAE B	585	1125	75-200 hp
HC3-07	10"	3/4" Straight Keyed	-	3/16"	SAE A	585	1125	75-200 hp
HC3-41	10"	7/8" Straight Keyed	-	1/4"	SAE B	585	1125	75-200 hp
HC3-43	10"	1.1/4" Straight Keyed	-	5/16"	SAE C	585	1125	75-200 hp
HC4-88	10"	9 Tooth Spline	5/8"	-	SAE A	585	1125	75-200 hp
HC3-91	10"	13 Tooth Spline	7/8"	-	SAE B	585	1125	75-200 hp
HC3-92	10"	14 Tooth Spline	1.1/4"	-	SAE C	585	1125	75-200 hp
HC3-89	10"	15 Tooth Spine	1"	-	SAE B	585	1125	75-200 hp
HC3-94	10"	21 Tooth Spline	1.3/8"	-	SAE C	585	1125	75-200 hp
HDT3-S3	11.1/2"	13 Tooth Spline (Turned down flywheel)	1.3/4"	-	SAE D	1300	3300	200-600 hp
HDT2-90	11.1/2"	13 Tooth Spine	1.3/4"	-	SAE D	1300	3300	200-600 hp
HDT1-92	11.1/2"	14 Tooth Spline	1.1/4"	-	SAE C	1300	3300	200-600 hp

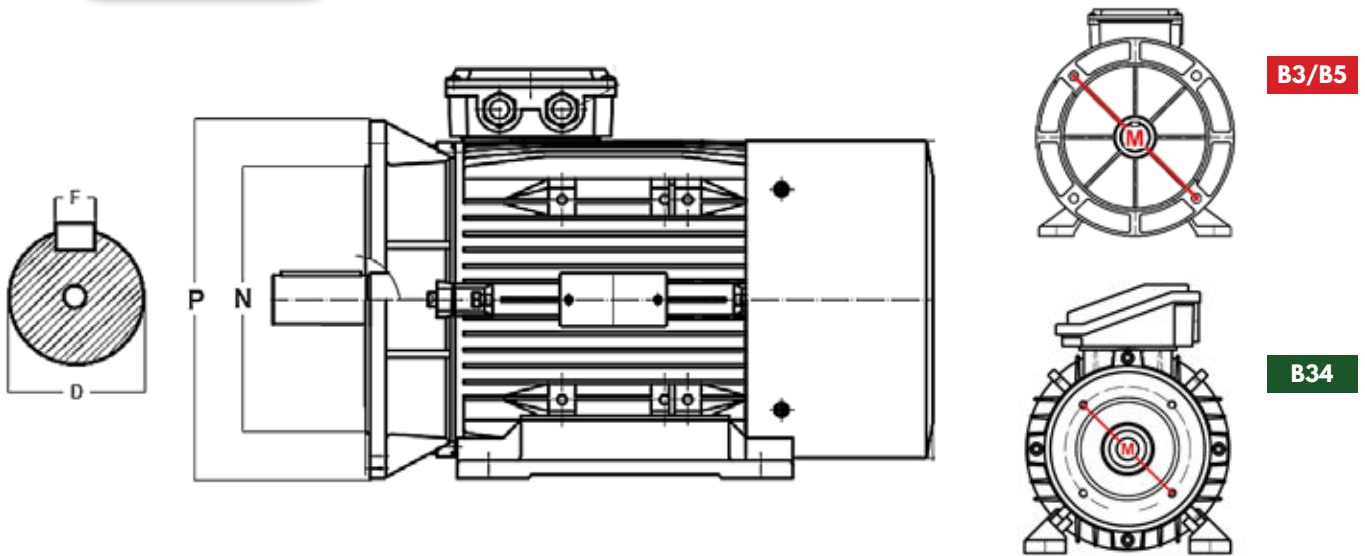
MADE IN U.S.A.

Pump Mount Plate

Part #	Engine Mount	Pump Mount	Pump Mounting	Plate Thickness	Engine Mount Dimensions		
					Bolt Circle		# of Holes
HN2	SAE6	SAE A	2 Bolt	5/8"	285.75mm	11.25"	8
HO2	SAE6	SAE B	2 Bolt	5/8"	285.75mm	11.25"	8
HO4	SAE6	SAE B	4 Bolt	5/8"	285.75mm	11.25"	8
GN2	SAE5	SAE A	2 Bolt	5/8"	333.502mm	13.13"	8
GO2	SAE5	SAE B	2 Bolt	5/8"	333.502mm	13.13"	8
GO24	SAE5	SAE B	2/4 Bolt	5/8"	333.502mm	13.13"	8
GX4	SAE5	SAE C	4 Bolt	5/8"	333.502mm	13.13"	8
ESP1	SAE4	SAE A	2 Bolt	5/8"	381mm	15"	12
EO2	SAE4	SAE B	2 Bolt	5/8"	381mm	15"	12
EO24	SAE4	SAE B	2/4 Bolt	5/8"	381mm	15"	12
EX24	SAE4	SAE C	2/4 Bolt	5/8"	381mm	15"	12
EX4	SAE4	SAE C	4 Bolt	5/8"	381mm	15"	12
DO24	SAE3	SAE B	2/4 Bolt	5/8"	428.625mm	16.875"	12
DX24	SAE3	SAE C	2/4 Bolt	5/8"	428.625mm	16.875"	12
DS4	SAE3	SAE D	4 Bolt	5/8"	428.625mm	16.875"	12
CO24	SAE2	SAE B	2/4 Bolt	5/8"	466.725mm	18.375"	12
CX2	SAE2	SAE C	2 Bolt	5/8"	466.725mm	18.375"	12
CX4	SAE 2	SAE C	4 Bolt	5/8"	466.725mm	18.375"	12
CS4	SAE 2	SAE D	4 Bolt	5/8"	466.725mm	18.375"	12

MADE IN U.S.A.





Bell Housings Frame Size Guide (240v AC)

Frame	kW	Voltage	Pole	Dimensions (mm)								
				D	F	B3/B5			B34			
						N	M	P	N	M	P	
63	0.18	240v AC	4-pole	11	4	95	115	140	60	75	90	
71	0.25 - 0.37	240v AC	4-pole	14	5	110	130	160	70	85	105	
80	0.55 - 0.75	240v AC	4-pole	19	6	130	165	200	80	100	120	
90	1.1 - 1.5	240v AC	4-pole	24	8	130	165	200	95	115	140	
100	2.2 - 3.7	240v AC	4-pole	28	8	180	215	250	110	130	160	
112	2.2 - 3.7	240v AC	4-pole	28	8	180	215	250	110	130	160	

Bell Housings Frame Size Guide (415v AC)

Frame	kW	Voltage	Pole	Dimensions (mm)								
				D	F	B3/B5			B34			
						N	M	P	N	M	P	
56	0.06 - 0.12	415v AC	4-pole	9	3	80	100	120	50	65	80	
63	0.12 - 0.18	415v AC	4-pole	11	4	95	115	140	60	75	90	
71	0.25 - 0.37	415v AC	4-pole	14	5	110	130	160	70	85	105	
80	0.55 - 0.75	415v AC	4-pole	19	6	130	165	200	80	100	120	
90	1.1 - 2.2	415v AC	4-pole	24	8	130	165	200	95	115	140	
100	2.2 - 5.5	415v AC	4-pole	28	8	180	215	250	110	130	160	
112	2.2 - 5.5	415v AC	4-pole	28	8	180	215	250	110	130	160	
132	7.5 - 11	415v AC	4-pole	38	10	230	265	300	130	165	200	
160	11 - 15	415v AC	4-pole	42	12	250	300	350	180	215	150	
180	18.5 - 22	415v AC	4-pole	48	14	250	300	350				
200	30 - 37	415v AC	4-pole	55	16	300	350	400				
225	37 - 45	415v AC	4-pole	55	16	350	400	450				
250	55	415v AC	4-pole	65	18	450	500	550				

Bell Housings - Group 05 DIN Pumps - 22mm Spigot

Part #	List Price \$	Motor		Dimensions (mm)							
		Frame Size	Flange Type	D1	D2	D3	D4	H1	H2	F	P
LMG105MFS05M4E	119.00	D71	B34	70	85	105	74	67	9	n/a	7
LMG120MFS05M4E	136.00	D80	B34	80	100	120	84	87	9	n/a	7
LMG141MFS05M4E	104.00	D63	B3/B5	95	115	140	100	95	13	M8	9
		D90	B34	95	115	140	100	95	13	M8	9
LMG160MFS05M4S	72.00	D71	B3/B5	110	130	160	110	70	15	M8	9
LMG200MFS05M4S	95.00	D80-90	B3/B5	130	165	200	135	87	18	M10	11

Bell Housings - Group 1 DIN Pumps - 25.4mm Spigot

LMG105MFS1004E	119.00	D71	B34	70	85	105	74	67	9	n/a	7
LMG120MFS1004E	136.00	D80	B34	80	100	120	84	87	9	n/a	7
LMG141MFS1004E	104.00	D63	B3/B5	95	115	140	100	95	13	M8	9
		D90	B34	95	115	140	100	95	13	M8	9
LMG160MFS1004E	72.00	D71	B3/B5	110	130	160	110	70	15	M8	9
LMG200MFS1004E	95.00	D80-90	B3/B5	130	165	200	135	87	18	M10	11
LMG250MFS1004S	119.00	D100-112	B3/B5	180	215	250	185	105	22	M12	14

Bell Housings - Group 1 DIN Pumps - 30.3mm Spigot

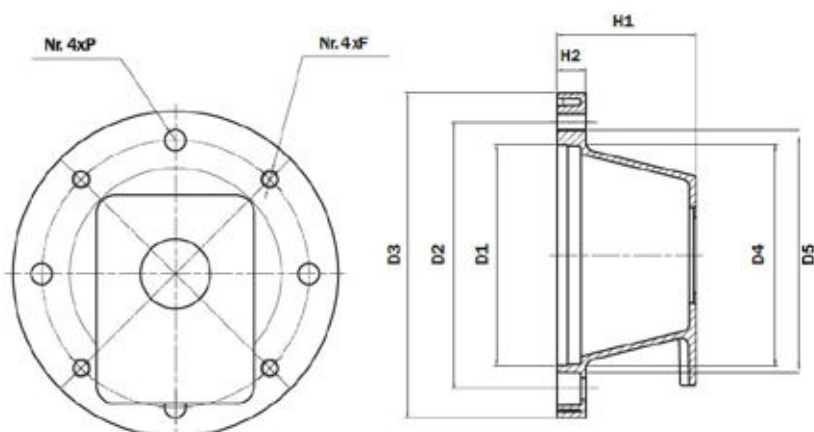
LMG105MFS1M04E	119.00	D71	B34	70	85	105	74	67	9	n/a	7
LMG120MFS1M04E	136.00	D80	B34	80	100	120	84	87	9	n/a	7
LMG141MFS1M04E	104.00	D63	B3/B5	95	115	140	100	95	13	M8	9
		D90	B34	95	115	140	100	95	13	M8	9
LMG161MFS1M04E	111.00	D71	B3/B5	110	130	160	110	105	15	M8	9

Bell Housings - Group 2 DIN Pumps - 36.5mm Spigot

LMG121MFS2004E	136.00	D80	B34	80	100	120	84	95	12	n/a	7
LMG141MFS2004E	104.00	D63	B3/B5	95	115	140	100	95	13	M8	9
		D90	B34	95	115	140	100	95	13	M8	9
LMG161MFS2004E	111.00	D71	B3/B5	110	130	160	110	105	15	M8	9
LMG201MFS2004E	95.00	D80-90	B3/B5	130	165	200	135	95	18	M10	11
LMG250MFS2004E	119.00	D100-112	B3/B5	180	215	250	185	105	22	M12	14
LMG300MFS2004E	204.00	D132	B3/B5	230	265	300	235	145	23	M12	14
LMG351MFS2004E	397.00	D160-180	B3/B5	250	300	350	255	179	31	M16	18
LMG400MFS2004E	537.00	D200	B3/B5	300	350	399	305	201	31	M16	18

Bell Housings - Group 3 DIN Pumps - 50.8mm Spigot

LMG251MFS3004E	316.00	D100-112	B3/B5	180	215	250	185	126	22	M12	14
LMG300MFS3M04E	204.00	D132	B3/B5	230	265	300	235	145	23	M12	14
LMG351MFS3M04E	397.00	D160-180	B3/B5	250	300	350	255	179	31	M16	18
LMG400MFS3004E	573.00	D200	B3/B5	300	350	399	305	201	31	M16	18



MPALTRI
MADE IN EUROPE



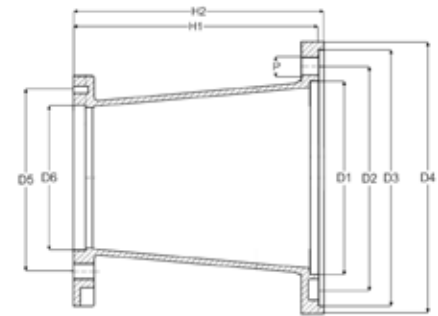
Bell Housings - Engine

Part #	List Price \$	Pump Size	Engine	Dimensions (mm)									Access Covers Needed
				D1	D2	D3	D4	D5	D6	H1	H2	P	
LMB110T099A002	156.00	DIN Group 1	3-5.5	67.5	92	-	110	72	40	96	99	9	-
LMB155T140C002M3-1	240.00	DIN Group 1	5-13.5	110	127	146	155	72	67.5	140	143	10	-
LMB155T140C002M3-2	240.00	DIN Group 2	5-13.5	110	127	146	155	96	67.5	140	143	10	-
LMB155T140S060	255.00	SAE A	5-13.5	110	127	146	155	106.4	82.55	140	143	10	-
G-10-101-4.44	333.00	4F17	7 HP	45.2	92	-	88.9	72.2	45.2	113	-	-	2
AC10	43.00	Access Cover											

LMB110



LMB155



Bell Housings - SAE A 2-bolt - 82.5mm spigot

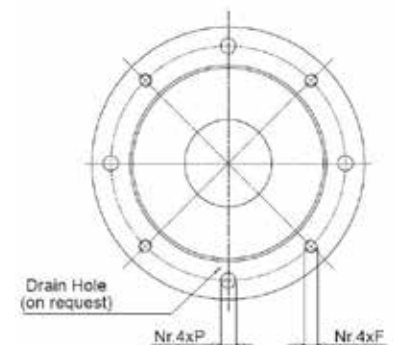
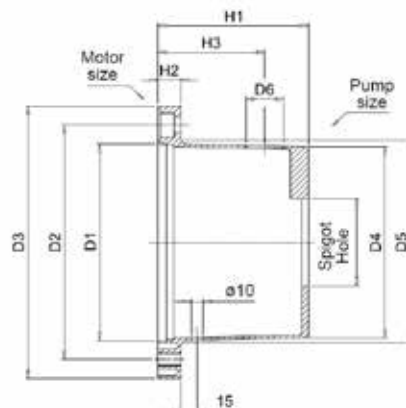
Part #	List Price \$	Motor		Dimensions (mm)								
		Frame Size	Flange Type	D1	D2	D3	D4	D5	H1	H2	F	P
LMC200AFSW060	129.00	D80-90	B3/B5	130	165	200	125	135	125	18	M10	11
LMC250AFSQ060	198.00	D100-112	B3/B5	180	215	250	175	186	138	19	M12	14
LMC300AFSX060	273.00	D132	B3/B5	230	265	300	230	235	170	23	M12	14

Bell Housings - SAE B 2-bolt - 101.6mm spigot

LMC250AFSQ070	198.00	D100-112	B3/B5	180	215	250	175	186	138	19	M12	14
LMC300AFSX070	273.00	D132	B3/B5	230	265	300	230	235	170	23	M12	14
LMC350AFSU070	375.00	D160-180	B3/B5	250	300	350	240	254	194	31	M16	18
LMC400AFSV070	518.00	D200	B3/B5	300	350	400	280	305	201	31	M16	18
LMC450AFSZ070	1209.00	D225	B3/B5	350	400	450	320	350	250	31	M16	M16

Bell Housings - SAE C 2-bolt - 127mm spigot

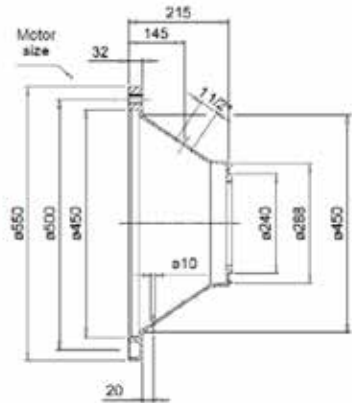
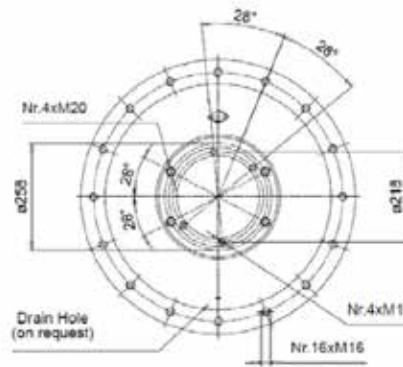
LMC250AFRC080	454.00	D100-112	B3/B5	180	215	250	175	186	126	19	M12	14
LMC350AFSU080	375.00	D160-180	B3/B5	250	300	350	240	254	194	31	M16	18
LMC400AFSV080	518.00	D200	B3/B5	300	350	400	280	305	201	31	M16	18
LMC450AFSZ080	1209.00	D225	B3/B5	350	400	450	320	350	250	31	M16	M16



Bell Housings - Electric Motor Base

Part #	List Price \$	Motor Size
BMT550A21567	1308.00	250 B3/B5

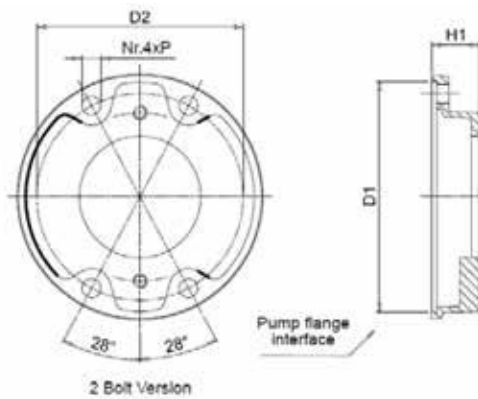
MPALTRI
MADE IN EUROPE



Bell Housings - Pump Flange (SAE)

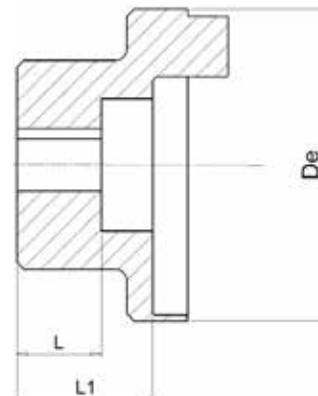
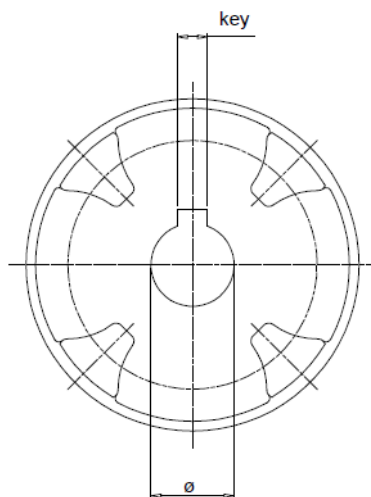
Part #	List Price \$	Pump Flange	Dimensions (mm)			
			H1	D1	D2	P
FP6045S070	313.00	SAE B 2-bolt	45	258	240	17
FP6032S080	281.00	SAE C 2-bolt	45	258	240	17

MPALTRI
MADE IN EUROPE



Pump Side Couplings DIN

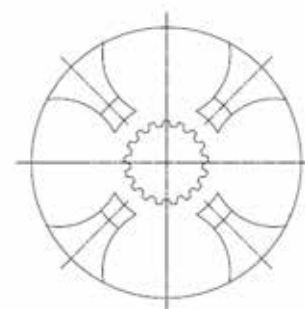
Part #	List Price \$	Pump	Shaft Size	Material	Dimension (mm)					
					De	L	L1	Ø	Key	
SERIES 0										
SGEA01FS05M	24.00	Group 05	6mm	Aluminium	44	10	17	6	2	
SGEA01FS05C	24.00	Group 05	7mm	Aluminium	44	10	17	6	2	
SGEA01FS100	24.00	DIN Group 1	1:8 Taper	Aluminium	44	14.5	16	9.7	2.4	
SERIES 2										
SGEA21FS100	35.00	DIN Group 1	1:8 Taper	Aluminium	70	14.5	21.5	9.7	2	
SGEA21FSZFR	34.00	DIN Group 2	1:5 Taper	Aluminium	70	20	21.5	16.9	3	
SGEA21FS200	35.00	DIN Group 2	1:8 Taper	Aluminium	70	21.5	21.5	17.2	4	
SGEA21FS300	35.00	DIN Group 3	1:8 Taper	Aluminium	70	27	41	21.6	4	
SERIES 3										
SGEA31FSZFR	50.00	DIN Group 2	1:5 Taper	Aluminium	85	17	37	16.9	3	
SGEA31FS200	54.00	DIN Group 2	1:8 Taper	Aluminium	85	23	37	17.2	4	
SGEA31FS300	54.00	DIN Group 3	1:8 Taper	Aluminium	85	27	37	21.6	4	
SERIES 5										
SGEA51FS200	82.00	DIN Group 2	1:8 Taper	Aluminium	109.5	23.5	32	17.2	4	
SGEA51FS300	82.00	DIN Group 3	1:8 Taper	Aluminium	109.5	25	32	21.6	4	
SERIES 6										
SGEG60FS300	438.00	DIN Group 3	1:8 Taper	Cast Iron	120	25.5	35	21.6	4	



Pump Side Couplings SAE

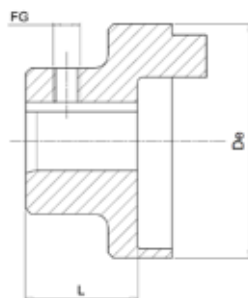
Part #	List Price \$	Pump	Shaft Size	Material	Dimension (mm)					
					De	L	L1	Ø	Key	
SERIES 0										
SGEA01H09019FG	74.00	Group 1 SAE AA	1/2" Keyed	Aluminium	44	19	M5	1/2"	1/8"	
SGEA01H06019FG	71.00	SAE A	5/8" keyed	Aluminium	44	19	M5	5/8"	3/16"	
SERIES 2										
SGEA21H09023FG	51.00	Group 1 SAE AA	1/2" Keyed	Aluminium	70	14.5	21.5	1/2"	1/8"	
SGEA21H06023FG	51.00	SAE A	5/8" Keyed	Aluminium	70	14.5	21.5	5/8"	3/16"	
SGEA21L00050FG	67.00	SAE A	5/8" Keyed	Aluminium	70	14.5	21.5	5/8"	5/32"	
SGEA21G01050FG	67.00	SAE A	3/4" Keyed	Aluminium	70	14.5	21.5	3/4"	3/16"	
SGEA21G020502EFG	67.00	SAE B	7/8" Keyed	Aluminium	70	14.5	21.5	7/8"	3/16"	
SGEA21C020502HFG	67.00	-	16mm	Aluminium	70	50	-	16	4	
SERIES 3										
SGEA31L00040FG	104.00	SAE A	5/8" Keyed	Aluminium	85	14.5	37	5/8"	5/32"	
SGEA31G01040FG	102.00	SAE AA	3/4" Keyed	Aluminium	85	14.5	37	3/4"	3/16"	
SGEA31G020502EFG	84.00	SAE B	7/8" Keyed	Aluminium	85	14.5	37	7/8"	3/16"	
SGEA31C03040FG	102.00	-	16mm Keyed	Aluminium	85	28	-	16	5	
SERIES 4										
SGEG40PD0540	436.00	SAE A	9T 16/32	Cast Iron	95	40	-	5/8"	-	
SGEG40PD0635	436.00	SAE A/SAE B	11T 16/32	Cast Iron	95	35	-	3/4"	-	
SGEG40PD0835	436.00	SAE B	13T 16/32	Cast Iron	95	35	-	7/8"	-	
SGEG40PD3640	436.00	SAE A	10T 16/32	Cast Iron	95	40	-	17.04mm	-	
SGEG40PD0930	436.00	SAE B-B	15T 16/32	Cast Iron	95	30	-	1"	-	
SERIES 5										
SGEA51G020502EFG	104.00	SAE B	7/8" Keyed	Aluminium	109.5	50	-	7/8"	3/16"	
SGEA51G040502FFG	104.00	SAE B	1" Keyed	Aluminium	109.5	50	-	1"	1/4"	
SGEA51G060502G	104.00	SAE C	1.1/4" Keyed	Aluminium	109.5	50	-	1.1/4"	5/16"	
SERIES 6										
SGEG60PD08050	438.00	SAE B	13T 16/32" Spline	Cast iron	120	50	37.5	-	-	
SGEG60G020702E	438.00	SAE B	7/8" Keyed	Cast iron	120	70	60	7/8"	3/16"	
SGEG60PD08070	438.00	SAE B	13T 16/32" Spline	Cast iron	120	60	48	-	-	
SGEG60G060652G	403.00	SAE C	1.1/4" Keyed	Cast iron	120	65.5	55	1.1/4"	1/4"	
SGEG60PD02065	438.00	SAE C	14T 12/24" Spline	Cast iron	120	65	52.5	-	-	
SGEG60PD02050	438.00	SAE C	14T 12/24" Spline	Cast iron	120	50	37.5	-	-	

MPFILTRI
MADE IN EUROPE



Motor Side Couplings

Part #	List Price \$	Motor Frame Size	Shaft Size	Material	Dimension (mm)					
					De	L	FG	Ø	Key	
SERIES 0										
SGEA01M02028FG	24.00	D71	14mm	Aluminium	44	28	M5	14	5	
SGEA01C020282HFG	75.00	-	16mm	Aluminium	44	28	M5	16	4	
SGEA01M03048FG	30.00	D80	19mm	Aluminium	44	48	M5	19	6	
SGEA01M04048FG	30.00	D90	24mm	Aluminium	44	48	M5	24	8	
SERIES 2										
SGEA21M03048FG	43.00	D80	19mm	Aluminium	70	48	M6	19	8	
SGEA21M04048FG	43.00	D90	24mm	Aluminium	70	48	M6	24	8	
SGEA21M05055FG	45.00	D100/112	28mm	Aluminium	70	55	M6	28	8	
SERIES 3										
SGEA31M06077FG	93.00	D132	38mm	Aluminium	85	77	M8	38	10	
SERIES 4										
SGEG40M05060	259.00	D100/112	28mm	Cast Iron	95	60	M8	28	8	
SGEG40M06080	325.00	D132	38mm	Cast Iron	95	80	M8	38	10	
SGEG40M07110	283.00	D160	42mm	Cast Iron	95	110	M8	42	12	
SGEG40M08110	283.00	D180	48mm	Cast Iron	95	110	M8	48	14	
SERIES 5										
SGEA51M07109FG	193.00	D160	42mm	Aluminium	109.5	109	M8	42	12	
SGEA51M08109FG	193.00	D180	48mm	Aluminium	109.5	109	M8	48	14	
SGEA51M09109FG	196.00	D200	55mm	Aluminium	109.5	109	M8	55	16	
SERIES 6										
SGEG60M09110	532.00	D200	55mm	Cast Iron	120	110	M8	55	16	
SGEG60M10140	497.00	D225	60mm	Cast Iron	120	120	M8	60	18	
SGEG60M11140	568.00	D250	65mm	Cast Iron	120	120	M8	65	18	
ENGINE MOUNT										
SGEA01G01050FG	43.00	Engine 3-7HP	3/4"	Aluminium	44	50	M5	3/4"	3/16"	
SGEA21G040502FFG	67.00	Engine 9.5-20HP Petrol 7-18HP Diesel	1"	Aluminium	70	50	M5	1"	1/4"	
SGEA21L02050FG	67.00	Engine 20-38HP Petrol 23HP Diesel	1.1/8"	Aluminium	70	50	M5	1.1/8"	1/4"	
SGEA21D02050FG	67.00	Engine 7-13HP	25mm	Aluminium	70	50	M5	25	8	



MPALTRI
MADE IN EUROPE

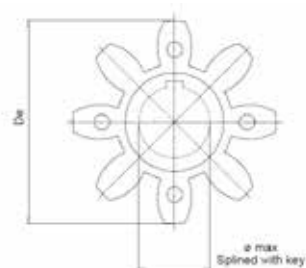


Pilot Bore Couplings

Part #	List Price \$	Series	Pilot Bore (mm)		Material	Dimension (mm)		
			Min	Max		De	L	Ø
SGEA0100B050	30.00	0	19	23	Aluminium	44	50	16.5
SGEA2100B050	52.00	2	14	18	Aluminium	70	50	13.5
SGEA3100A060	69.00	3	18	27	Aluminium	85	60	15
SGEG408C	321.00	4	-	55	Cast Iron	95	110	95
SGEA5100A070	97.00	5	19	23	Aluminium	109.5	70	17.5
SGEG60BC	407.00	6	-	75	Cast Iron	120	140	-

Coupling Elements

Part #	List Price \$	Series	Outside Ø	Max Torque	Material	Dimension (mm)		
						E	De	Ø Max
EGE0	9.00	0	38mm	20Nm	Oil-resistant rubber (shore hardness 87)	15	40	16
EGE2	13.00	2	65mm	190Nm	Oil-resistant rubber (shore hardness 87)	18	65	25
EGE3	26.00	3	80mm	380Nm	Oil-resistant rubber (shore hardness 87)	22	80	35
EGE4RR	219.00	4	95mm	760Nm	Polyurethane (shore hardness 92)	24	95	40
EGE5	45.00	5	103.5mm	620Nm	Oil-resistant rubber (shore hardness 87)	26	105	45
EGE5RR	90.00	5	103.5mm	800Nm	Polyurethane (shore hardness 92)	26	105	45
EGE6	202.00	6	120mm	860Nm	Oil-resistant rubber (shore hardness 87)	28	120	55
EGE6RR	249.00	6	120mm	1100Nm	Polyurethane (shore hardness 92)	28	120	55



Foot Brackets (Pressure Diecast Aluminium)

Part #	List Price \$	Motor Frame	Mount	Motor Flange
PDMA160	117.00	D71	135x80 - 8.5mm	B3/B5
PDMA200	134.00	D80-90	175x98 - 11.5mm	B3/B5
PDMA250	161.00	D100-110	220x130 - 13.5mm	B3/B5
PDMA300	248.00	D132	270x160 - 13.5mm	B3/B5
PDMA350	494.00	D160-180	310x200 - 13mm	B3/B5



Damping Rings

Part #	List Price \$	Motor Frame	Motor Flange	Noise Reduction
ANMA200	376.00	D80-90	B3/B5	Up to 5 db
ANMA250	447.00	D100-110	B3/B5	Up to 5 db
ANMA300	604.00	D132	B3/B5	Up to 5 db
ANMA350	776.00	D160-180	B3/B5	Up to 5 db



Gaskets

Part #	List Price \$	Bell Housing	Pump Size
GUMP120	5.00	LMG120	-
GUMP140	7.00	LMG140	-
GUMP160	7.00	LMG160	-
GUMP200	8.00	LMC/LMG200	-
GUMP250	11.00	LMC/LMG250	-
GUMP300	15.00	LMC/LMG300	-
GUMP350	23.00	LMC/LMG350	-
GUPP001	4.00	-	Group 05
GUPP002	4.00	-	DIN Group 1
GUPP004	5.00	-	DIN Group 2
GUPP005	7.00	-	DIN Group 3



SAE Foot Mounts

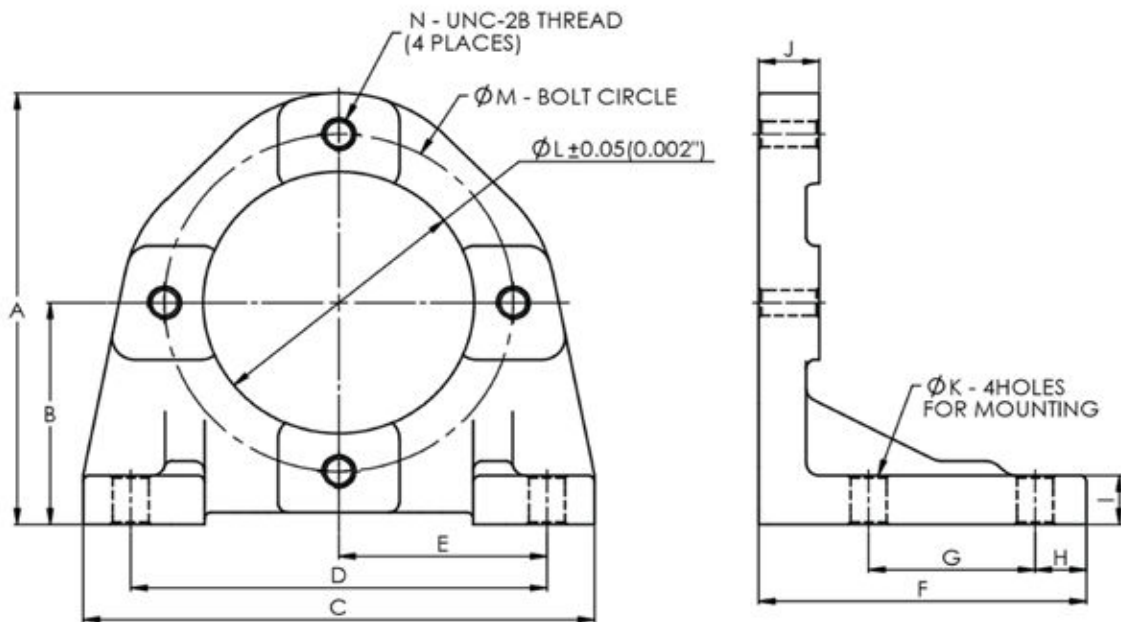
	Part #	List Price \$	Mount	Description
NEW	HBA-A	249.00	SAE A	Foot bracket kits can be used to mount pumps or motors that have standard SAE-J744 2-bolt A, B or C mounting flanges.
NEW	HBA-B	338.00	SAE B	
NEW	HBA-C	519.00	SAE C	

Note: each kit includes screws for mounting to pump/motor.



Dimensions (mm)

A	B	C	D	E	F	G	H	I	J	K	L	M	N
134.9	69.9	152.4	127	63.5	96	50.8	12.7	12.7	17.5	11	82.6	106.4	3/8"-16 UNC
180.8	92.2	171.5	146	73	95.8	50.8	12.7	12.7	19	11	101.7	146	1/2"-13 UNC
215.9	109.5	265.2	235	117.5	131.6	76.2	17.3	16.7	20.5	17	127.1	181	5/8"-11 UNC



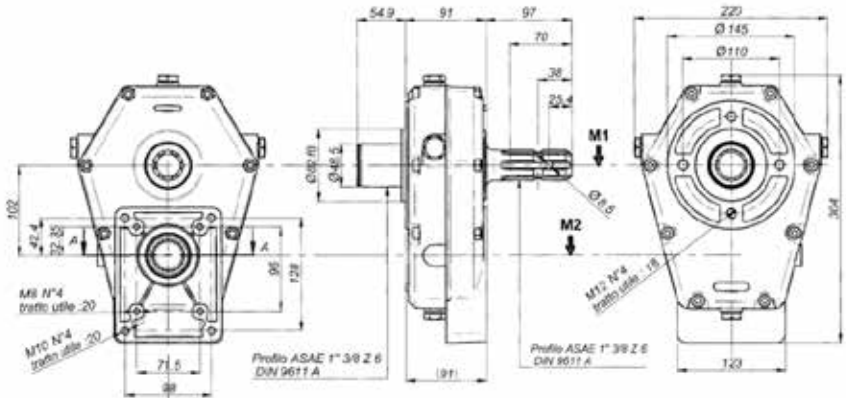
70000 Series 37kW - Gearbox

Part #	List Price \$	Ratio	Shaft	Group	Material
70012-4	1907.00	Step Up Gearbox, 1:3 ratio	Male shaft P.T.O 1 3/8" 6T	Group 2 & 3 DIN	Cast iron
70013-4	1907.00	Step Up Gearbox, 1:3 ratio	Female shaft P.T.O 1 3/8" 6T	Group 2 & 3 DIN	Cast iron
70015-4	1985.00	Step Up Gearbox, 1:3 ratio	Female shaft quick release P.T.O 1 3/8" 6T	Group 2 & 3 DIN	Cast iron
96100	259.00	Adaptor Plate 71000 series to SAE A mount			
96101	331.00	Adaptor Plate 71000 series to SAE B mount			
19071	91.00	Seal kit			

70000 Series 37kW - Coupling

Part #	List Price \$	Length	Teeth	Spline (DIN 5482B)	Group	Shaft Cone	Shaft Keyway	Material
10012	32.00	22 mm	18	35 x 31	Group 2 DIN	1:8 Taper	3.2mm	Steel
10014	32.00	26 mm	18	35 x 31	Group 3 DIN	1:8 Taper	4.0mm (Vivoil)	Steel
10044	34.00	22.5 mm	18	35 x 31	Group 2 DIN	1:8 Taper	4.0mm (Vivoil)	Steel
15002	97.00	48 mm	18	35 x 31	SAE B	7/8" Keyed	4.8mm / 6.4mm	Steel
35513	129.00	45 mm	18	35 x 31	SAE A	5/8" Spline 9T 16/32" DP	-	Steel
35501	97.00	35 mm	18	35 x 31	SAE B	7/8" Spline 13T 16/32" DP	-	Steel

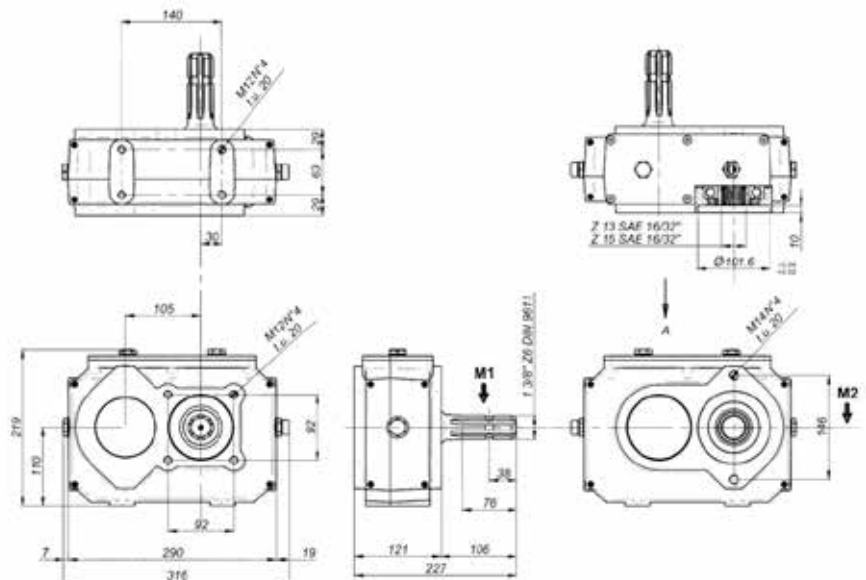
MADE IN EUROPE



97600 Series 68kW - Gearbox

Part #	List Price \$	Ratio	Shaft	Input Shaft	Group	Material
97601-7/13	2919.00	Step Up Gearbox, 3.8:1 ratio	Male shaft P.T.O 1 3/8" 6T	7/8" spline 13T 16/32" DP	SAE B	Cast iron

MADE IN EUROPE



Electro-Magnetic Clutches

Part #	List Price \$	Voltage	Amp Draw	Maximum Speed	Pump Mount
30901	1655.00	12v DC	3.33a	5000 rpm	Group 1 & 2 DIN
30903	1655.00	24v DC	1.26a	5000 rpm	Group 1 & 2 DIN

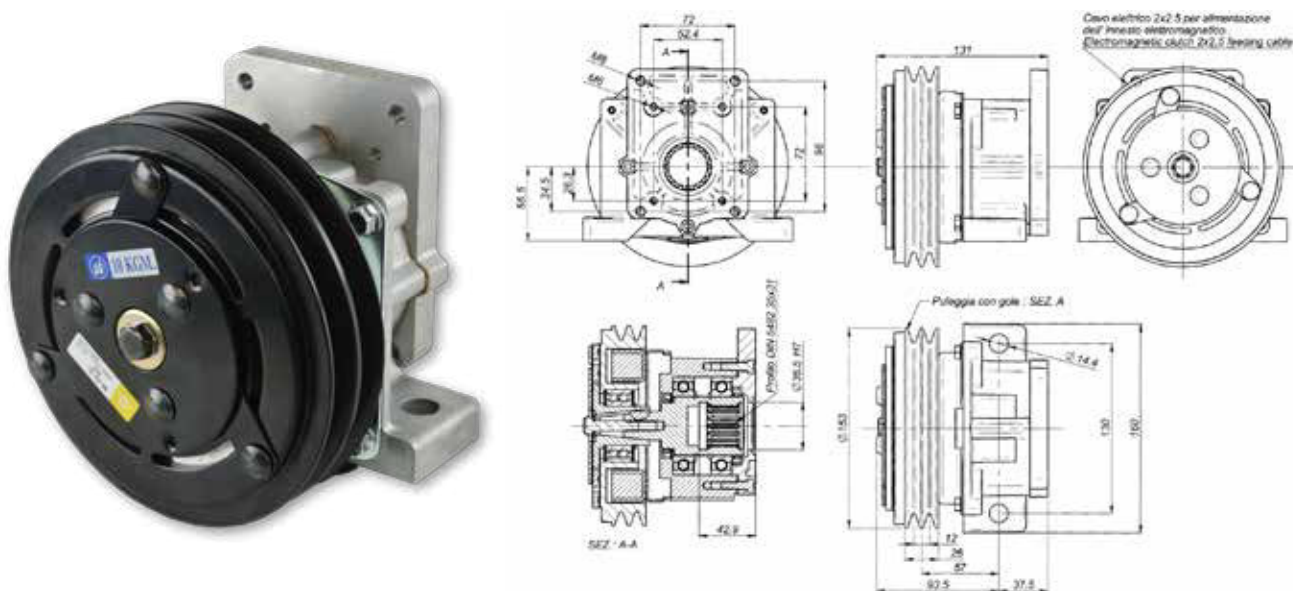
Electro-Magnetic Clutch Couplings

Part #	List Price \$	Length	Teeth	Outer Profile (DIN 5482B)	Group	Shaft Cone	Shaft Keyway	Material
10010	57.00	14.5mm	18	35 x 31	Group 1 DIN	1:8 Taper	2.4mm	Steel
10012	32.00	22.0mm	18	35 x 31	Group 2 DIN	1:8 Taper	3.17mm	Steel
10044	34.00	22.5mm	18	35 x 31	Group 2 DIN	1:8 Taper	4mm (Vivoil)	Steel
10014	32.00	26.0mm	18	35 x 31	Group 3 DIN	1:8 Taper	4mm	Steel

Torque Settings

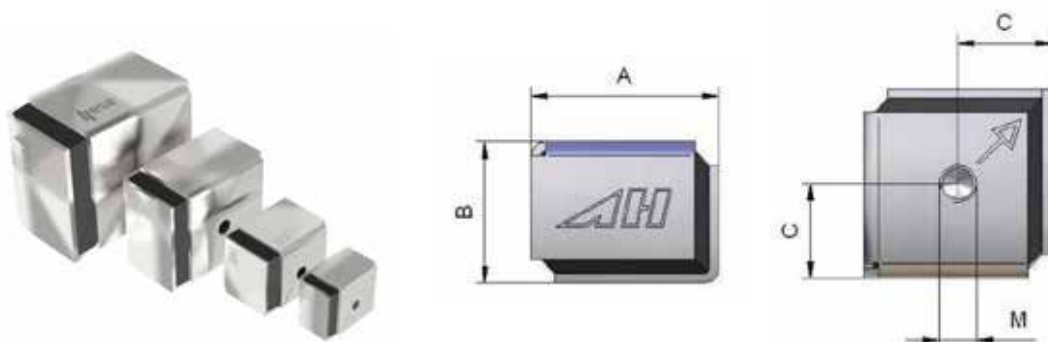
Nominal	Static	Dynamic					
		500 rpm	1000 rpm	1500 rpm	2000 rpm	2500 rpm	3000 rpm
7.8 daNm	12.5 daNm	8.5 daNm	7.0 daNm	4.2 daNm	3.5 daNm	2.7 daNm	2.5 daNm

MADE IN EUROPE



Rubber Vibration Absorbers

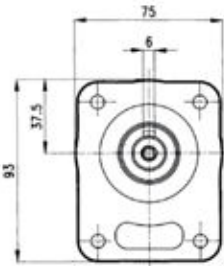
Part #	List Price \$	Description	Material	Weight	Dimensions (mm)			
					M	A	B	C
MDGQ403008IIK	34.00	40x40x30 M8	Zinc coated steel & natural rubber	0.127kg	M8 x 10	40	30	20
MDGQ504510IIK	66.00	50x50x45 M10	Zinc coated steel & natural rubber	0.280kg	M10 x 12	50	45	25
MDGQ755512IIK	157.00	75x75x55 M12	Zinc coated steel & natural rubber	0.659kg	M12 x 15	75	55	37.5
MDGQ1007516IIK	479.00	100x100x75 M16	Zinc coated steel & natural rubber	1.920kg	M16 x 16.5	100	75	50



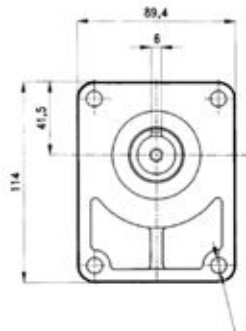
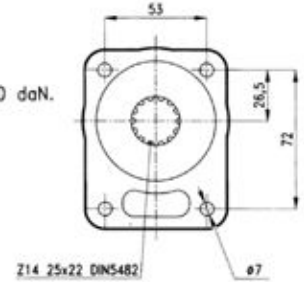
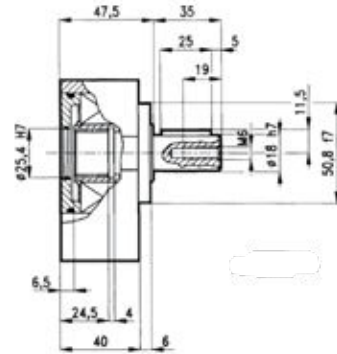
Bearing Mounts

Part #	List Price \$	Splined Coupling (DIN 5482B)	Pump Group	Shaft Ø	Shaft Keyway	Shaft Load Radial Maximum	Material
25601	326.00	14T 25x22	Group 1	18mm	4.0mm	100 daNm	Aluminium
25603	396.00	15T 28x25	Group 2	22mm	6.0mm	285 daNm	Aluminium
25604-4	858.00	18T 35x31	Group 3	24mm	8.0mm	318 da Nm	Aluminium

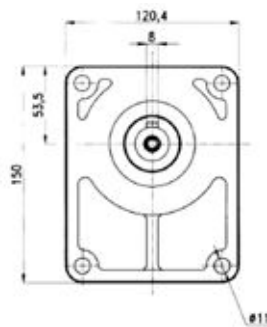
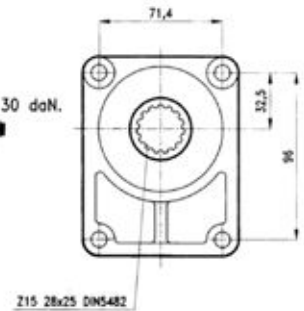
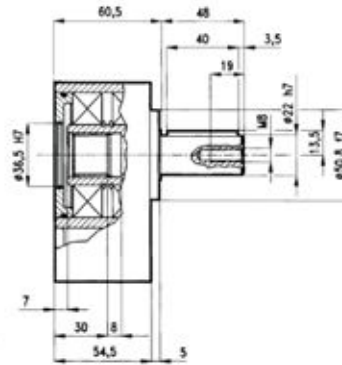
MADE IN EUROPE



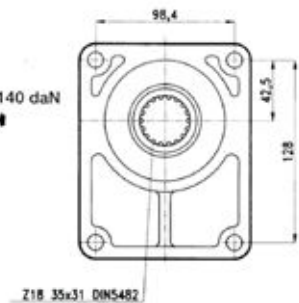
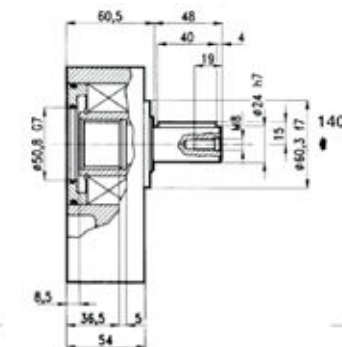
25601



25603



25604-4



Bearing Mount Couplings

Part #	List Price \$	Length	Teeth	Spline (DIN 5482B)	Group	Shaft Cone	Shaft Keyway	Material
10003	30.00	14.5 mm	14	25 x 22	Group 1 DIN	1:8 Taper	2.4mm	Steel
10033	30.00	16 mm	14	25 x 22	Group 2 DIN	1:8 Taper	3.0mm	Steel
10007	39.00	22 mm	15	28 x 25	Group 2 DIN	1:8 Taper	3.2mm	Steel
10035	39.00	22.5 mm	15	28 x 25	Group 2 DIN	1:8 Taper	4.0mm (Vivoil)	Steel
10014	32.00	26 mm	18	35 x 31	Group 3 DIN	1:8 Taper	4.0mm	Steel

MADE IN EUROPE