

CATFORD

Jamestown

SA 5491

ENGINEERING PRODUCTS

All Prices Excluding GST

Phone: 0418 641 566

www.catford.com.au

sales@catford.com.au

Sectional Valves

*SN3, SN4, SN6 & SN8

Sectional Valves

*Remote Control Accessories





Lot 25, Mannanarie Road, Jamestown, South Australia 5491

PO Box 178, Jamestown, South Australia 5491



0418 641 566



sales@catford.com.au

Due to fluctuations in the Australian dollar and the economic climate, please be advised that all prices are subject to change.
Please contact us to confirm pricing.

All prices stated within are exclusive of GST
(All prices are correct as of January 1st 2024, but Catford Engineering reserve the right to change these prices without notice)

Sectional Valves

CATFORD Jamestown
SA 5491
ENGINEERING
PRODUCTS

Phone: 0418 641 566

www.catford.com.au sales@catford.com.au

SECTIONAL VALVES

SN3 (50 LPM)

SN3 Sectional Valve

Part #	List Price \$	Qty	Spool	Max Flow (lpm)	Max Pressure (bar)		Ports (BSPP)		Dimension (mm)	
					P	T	T-C	P-A-B	X	Y
SN3/1S3/18L/P3T/G3-4-M3	794.00	1	Cylinder	50	315	25	1/2"	3/8"	118.5	58
SN3/2S3/18L/P3T/G3-4-M3	1149.00	2	Cylinder	50	315	25	1/2"	3/8"	156.5	96
SN3/3S3/18L/P3T/G3-4-M3	1503.00	3	Cylinder	50	315	25	1/2"	3/8"	194.5	134
SN3/4S3/18L/P3T/G3-4-M3	1852.00	4	Cylinder	50	315	25	1/2"	3/8"	232.5	172
SN3/5S3/18L/P3T/G3-4-M3	2209.00	5	Cylinder	50	315	25	1/2"	3/8"	270.5	210
SN3/6S3/18L/P3T/G3-4-M3	2563.00	6	Cylinder	50	315	25	1/2"	3/8"	308.5	248
SN3/7S3/18L/P3T/G3-4-M3	2915.00	7	Cylinder	50	315	25	1/2"	3/8"	346.5	286
SN3/8S3/18L/P3T/G3-4-M3	3265.00	8	Cylinder	50	315	25	1/2"	3/8"	384.5	324
SN3/9S3/18L/P3T/G3-4-M3	3615.00	9	Cylinder	50	315	25	1/2"	3/8"	422.5	362
SN3/10S3/18L/P3T/G3-4-M3	3968.00	10	Cylinder	50	315	25	1/2"	3/8"	460.5	400
SN3/11S3/18L/P3T/G3-4-M3	4321.00	11	Cylinder	50	315	25	1/2"	3/8"	498.5	438
SN3/12S3/18L/P3T/G3-4-M3	4668.00	12	Cylinder	50	315	25 </td <td>1/2"</td> <td>3/8"</td> <td>536.5</td> <td>476</td>	1/2"	3/8"	536.5	476

SN3 Seal Kits & Replacement Handles

Part #	List Price \$	Description
FPSN-3-SK	14.00	Inlet relief seal
EWSN-3-SK	66.00	Working section seal kit
FTSN-3-SK	14.00	Outlet section seal kit
YLWSN33080-SK	79.00	SN3 pneumatic actuator seal kit
YLWSN08160	19.00	SN3 handle

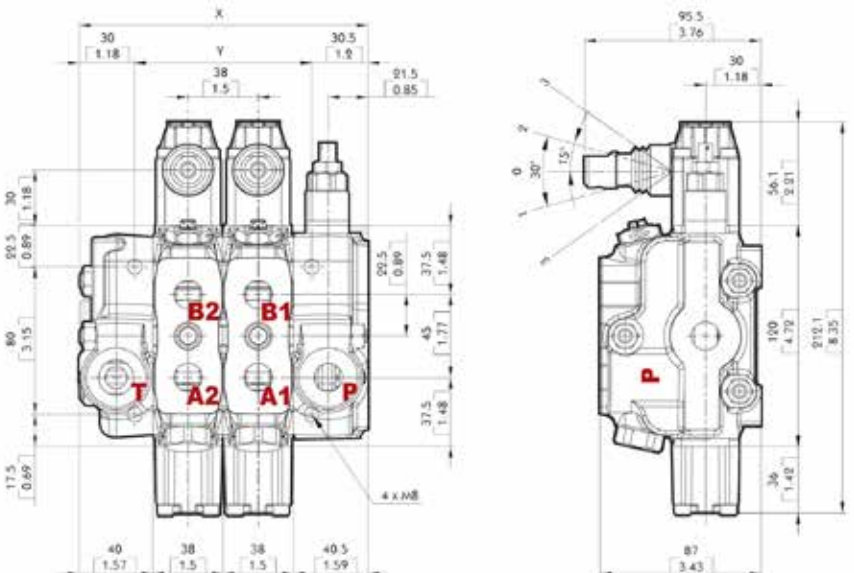
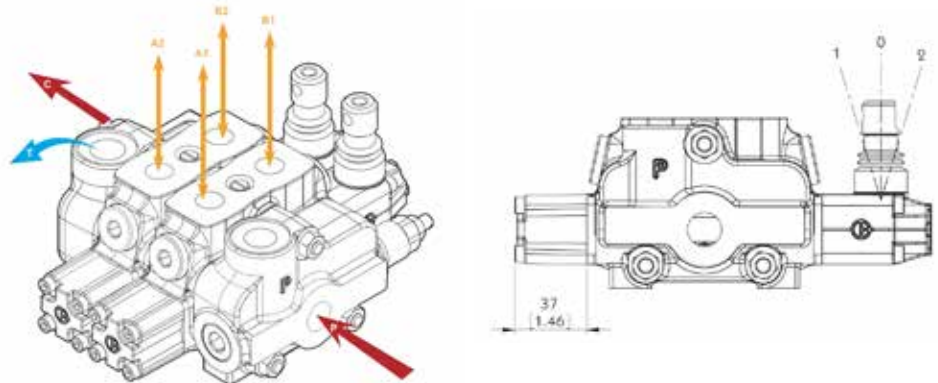


Relief valve standard range 63-200 bar

Relief valve standard setting 120 bar

Port cavities in all sections

Series sections available max 210 bar



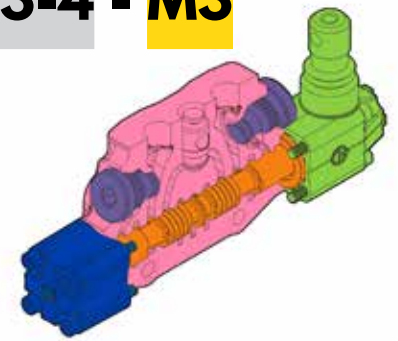
SN-3 / 2S - 3 / 18LPG2 / 26-1L / G-3-4 - M3

NOMENCLATURE GUIDE

2S	No. of working sections	8	B-side spool positioner	G-3	3/8" BSP ports
3	Inlet pressure relief valve	L	A-side option	G-4	1/2" BSP ports
1	Spool option	PG2	Port relief (optional)	M3	Outlet cover

* Spool sequence starts from the spool closest to the relief valve.

* Spool option B-side and A-side must be repeated for each spool section unless the configuration is common throughout the valve.



BODY KITS	Code	Description	List Price \$	Code	Description	List Price \$
	1S	1 section	794.00	7S	7 sections	2915.00
2S	2 sections	1149.00	8S	8 sections	3265.00	
3S	3 sections	1503.00	9S	9 sections	3615.00	
4S	4 sections	1852.00	10S	10 sections	3968.00	
5S	5 sections	2209.00	11S	11 sections	4321.00	
6S	6 sections	2563.00	12S	12 sections	4668.00	

INLET PRESSURE RELIEF VALVE	Code	Part #	Description	List Price \$
	3	YLPSN33003	Range 63 to 200 bar	STANDARD
4	YLPSN33004	Range 160 to 315 bar		160.00
SV	YLPSN34000	Relief valve blanking plug		47.00
XYG	YLPSN33000	Pilot operated pressure relief valve, range 25 to 315 bar		387.00

SPOOL OPTIONS	Code	Part #	Description	List Price \$
	1	YLWSN32001	Double acting, 3 positions, A+B closed in neutral position	STANDARD
1S	-	Double acting, 3 positions, A+B closed in neutral position, for series circuit		794.00
2S	-	Double acting, 3 positions, A+B open to tank in neutral position, for series circuit		1149.00
2	YLWSN32002	Double acting, 3 positions, A+B open to tank in neutral position	STANDARD	102.00
3	YLWSN32003	Single acting on A closed in neutral position, 3 positions, B plugged		114.00
4	YLWSN32004	Single acting on B closed in neutral position, 3 positions, A plugged		114.00

B-SIDE SPOOL POSITIONER	Code	Part #	Description	List Price \$
	6-1	YLWSN33061	Detent in position 1-0-2, without spring centered	
6-2	YLWSN33062	2 positions, detent in position 0-2, without spring centered		72.00
8	YLWSN33008	Spring return to neutral position	STANDARD	54.00
9-1	YLWSN33091	Detent in position 1, 2 with spring centered		84.00
9-2	YLWSN33092	Detent in position 2 with spring centered		93.00
9-3	YLWSN33093	Detent in position 1 with spring centered		93.00
8EP3A	YLWSN34300-12V	ON/OFF electro-pneumatic actuator 12v DC		570.00
8EP3B	YLWSN34300-24V	ON/OFF electro-pneumatic actuator 24v DC		579.00
8P	YLWSN33080	ON/OFF pneumatic actuator		303.00
8MG3	YLWSN34803	Microswitch kit operated in position 1 & 2 (normally open)		249.00
8IM	YLWSN330810	Hydraulic pilot kit - SN3 - pilot pressure max 50 bar		75.00

PORT RELIEF (optional)	Code	Part #	Description	List Price \$
	PG2	YLWSN35002	Anti-shock valve, range 63 to 125 bar	
PG3	YLWSN35003	Anti-shock valve, range 100 to 250 bar		134.00
PG4	YLWSN35004	Anti-shock valve, range 200 to 315 bar		134.00
UG2	YLWSN35012	Anti-shock valve and anti-cavitation valve, range 63 to 125 bar		148.00
UG3	YLWSN35013	Anti-shock valve and anti-cavitation valve, range 100 to 250 bar		148.00
UG4	YLWSN35014	Anti-shock valve and anti-cavitation valve, range 200 to 315 bar		148.00

A-SIDE OPTION	Code	Part #	Description	List Price \$
	L	YLWSN34000	Standard lever	STANDARD
LCB	YLWSN34002	Joystick lever for 2 section operation		252.00

OUTLET COVER	Code	Part #	Description	List Price \$
	M3	-	Open centre	STANDARD
M8	-	Closed centre (power beyond conversion plug)		-

SECTIONAL VALVES

SN4 (80 LPM)

SN4 Sectional Valve

Part #	List Price \$	Qty	Spool	Max Flow (lpm)	Max Pressure (bar)		Ports (BSPP)		Dimension (mm)	
					P	T	T-C	P-A-B	X	Y
SN4/1S3/18L/P3T/G4-6-M3	1056.00	1	Cylinder	80	315	25	3/4"	1/2"	128	82
SN4/2S3/18L/P3T/G4-6-M3	1149.00	2	Cylinder	80	315	25	3/4"	1/2"	169	123
SN4/3S3/18L/P3T/G4-6-M3	1503.00	3	Cylinder	80	315	25	3/4"	1/2"	210	164
SN4/4S3/18L/P3T/G4-6-M3	2479.00	4	Cylinder	80	315	25	3/4"	1/2"	251	205
SN4/5S3/18L/P3T/G4-6-M3	2953.00	5	Cylinder	80	315	25	3/4"	1/2"	292	246
SN4/6S3/18L/P3T/G4-6-M3	3428.00	6	Cylinder	80	315	25	3/4"	1/2"	333	267
SN4/7S3/18L/P3T/G4-6-M3	3899.00	7	Cylinder	80	315	25	3/4"	1/2"	374	328
SN4/8S3/18L/P3T/G4-6-M3	4371.00	8	Cylinder	80	315	25	3/4"	1/2"	415	369
SN4/9S3/18L/P3T/G4-6-M3	4844.00	9	Cylinder	80	315	25	3/4"	1/2"	456	410
SN4/10S3/18L/P3T/G4-6-M3	5318.00	10	Cylinder	80	315	25	3/4"	1/2"	497	451
SN4/11S3/18L/P3T/G4-6-M3	5793.00	11	Cylinder	80	315	25	3/4"	1/2"	538	492
SN4/12S3/18L/P3T/G4-6-M3	6266.00	12	Cylinder	80	315	25	3/4"	1/2"	579	533

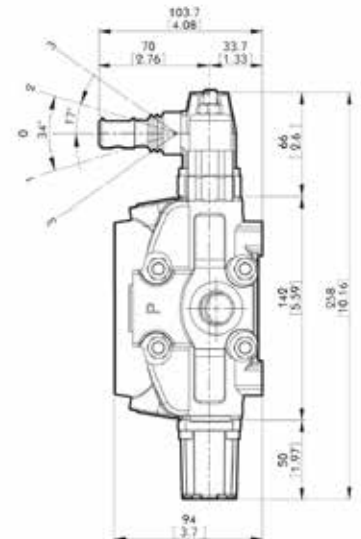
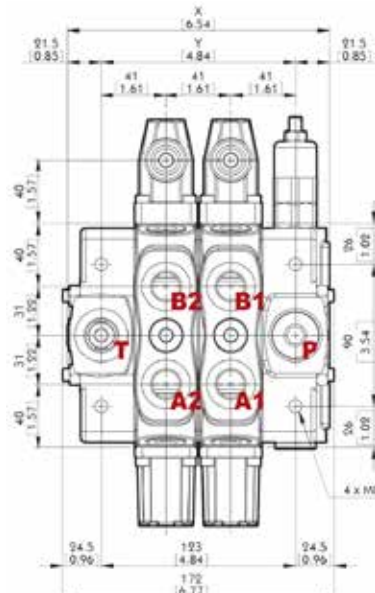
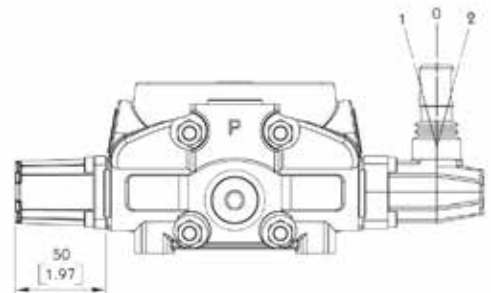
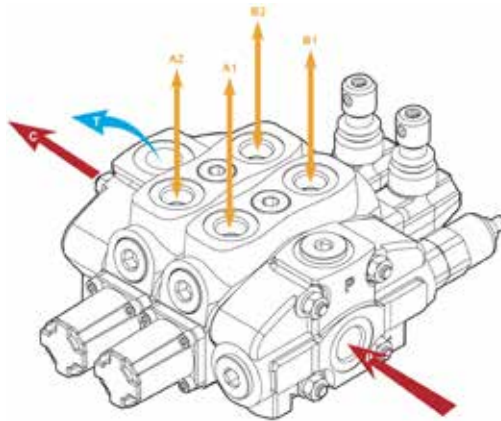
SN4 Seal Kits & Replacement Handles

Part #	List Price \$	Description
FPSN-4-SK	14.00	Inlet relief seal
EWSN-4-SK	66.00	Working section seal kit
FTSN-4-SK	14.00	Outlet section seal kit
YLWSN43080-SK	69.00	SN4 pneumatic actuator seal kit
YLWSN10200	36.00	SN4 handle



Relief valve standard range 125-250 bar

Relief valve standard setting 120 bar



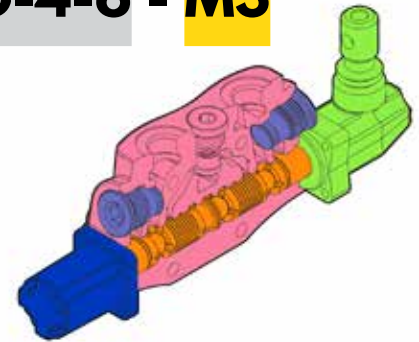
SN-4 / 2S - 3 / 18LPG2 / 26-1L / G-4-6 - M3

NOMENCLATURE GUIDE

2S	No. of working sections	8	B-side spool positioner	G-4	1/2" BSP ports
3	Inlet pressure relief valve	L	A-side option	G-6	3/4" BSP ports
1	Spool option	PG2	Port relief (optional)	M3	Outlet cover

* Spool sequence starts from the spool closest to the relief valve.

* Spool option B-side and A-side must be repeated for each spool section unless the configuration is common throughout the valve.



BODY KITS	Code	Description	List Price \$	Code	Description	List Price \$
	1S	1 section	1056.00	7S	7 sections	3899.00
2S	2 sections	1149.00	8S	8 sections	4371.00	
3S	3 sections	1503.00	9S	9 sections	4844.00	
4S	4 sections	2479.00	10S	10 sections	5318.00	
5S	5 sections	2953.00	11S	11 sections	5793.00	
6S	6 sections	3428.00	12S	12 sections	6266.00	

INLET PRESSURE RELIEF VALVE	Code	Part #	Description	List Price \$
	3	YLPSN43003	Range 125 to 250 bar	214.00
4	YLPSN43004	Range 200 to 315 bar	214.00	
SV	YLPSN44000	Relief valve blanking plug	50.00	
XSG	YLX21000	Pilot operated pressure relief valve, range 25 to 315 bar	STANDARD 309.00	

SPOOL OPTIONS	Code	Part #	Description	List Price \$
	1	YLWSN42001	Double acting, 3 positions, A+B closed in neutral position	STANDARD 202.00
2	YLWSN42002	Double acting, 3 positions, A+B open to tank in neutral position	STANDARD 202.00	
3	YLWSN42003	Single acting on A closed in neutral position, 3 positions, B plugged	214.00	
1KOL	EWSN-4/1KOL/G-4	SN4 pressure kickout working section	892.00	

B-SIDE SPOOL POSITIONER	Code	Part #	Description	List Price \$
	6-1	YLWSN43061	Detent in position 1-0-2, without spring centered	109.00
8	YLWSN43008	Spring return to neutral position	STANDARD 97.00	
9-1	YLWSN43091	Detent in position 1, 2 with spring centered	219.00	
9-2	YLWSN43092	Detent in position 2 with spring centered	232.00	
9-3	YLWSN43093	Detent in position 1 with spring centered	232.00	
8EP3A	YLWSN44300-12V	ON/OFF electro-pneumatic actuator 12v DC	576.00	
8EP3B	YLWSN44300-24V	ON/OFF electro-pneumatic actuator 24v DC	576.00	
8P	YLWSN43080	ON/OFF pneumatic actuator	309.00	
8MG3	YLWSN43803	Microswitch kit operated in position 1 & 2 (normally open)	259.00	
8IM	YLWSN430810	Hydraulic pilot with single spring, exclusive for standard spool (type 1+2)	160.00	
8D2	YLWSN43082	Spring return to neutral position, pin with M8 thread for dual control	70.00	

PORT RELIEF (optional)	Code	Part #	Description	List Price \$
	PG2	YLWSN45002	Anti-shock valve, range 63 to 125 bar	165.00
PG3	YLWSN45003	Anti-shock valve, range 100 to 250 bar	165.00	
PG4	YLWSN45004	Anti-shock valve, range 200 to 315 bar	165.00	
UG2	YLWSN45012	Anti-shock valve and anti-cavitation valve, range 63 to 125 bar	181.00	
UG3	YLWSN45013	Anti-shock valve and anti-cavitation valve, range 100 to 250 bar	181.00	
UG4	YLWSN45014	Anti-shock valve and anti-cavitation valve, range 200 to 315 bar	181.00	
C	YLWSN45100	Anti-cavitation valve	170.00	

A-SIDE OPTION	Code	Part #	Description	List Price \$
	L	YLWSN44000	Standard lever	STANDARD 73.00
LCB	YLWSN44002	Joystick lever for 2 section operation	266.00	

OUTLET COVER	Code	Part #	Description	List Price \$
	M3	-	Open centre	STANDARD -
M8	-	Closed centre (power beyond conversion plug)	-	

SECTIONAL VALVES

SN6 (140 LPM)

SN6 Sectional Valve

Part #	List Price \$	Qty	Spool	Max Flow (lpm)	Max Pressure (bar)		Ports (BSPP)		Dimension (mm)	
					P	T	T	P-A-B-C	X	Y
SN6/1S3/18L/P3T/G6-1-M3	1517.00	1	Cylinder	140	315	25	1"	3/4"	176	124
SN6/2S3/18L/P3T/G6-1-M3	2283.00	2	Cylinder	140	315	25	1"	3/4"	224	172
SN6/3S3/18L/P3T/G6-1-M3	3051.00	3	Cylinder	140	315	25	1"	3/4"	272	220
SN6/4S3/18L/P3T/G6-1-M3	3819.00	4	Cylinder	140	315	25	1"	3/4"	320	268
SN6/5S3/18L/P3T/G6-1-M3	4591.00	5	Cylinder	140	315	25	1"	3/4"	368	316
SN6/6S3/18L/P3T/G6-1-M3	5358.00	6	Cylinder	140	315	25	1"	3/4"	416	364
SN6/7S3/18L/P3T/G6-1-M3	6126.00	7	Cylinder	140	315	25	1"	3/4"	464	412
SN6/8S3/18L/P3T/G6-1-M3	6896.00	8	Cylinder	140	315	25	1"	3/4"	512	460
SN6/9S3/18L/P3T/G6-1-M3	7665.00	9	Cylinder	140	315	25	1"	3/4"	560	508
SN6/10S3/18L/P3T/G6-1-M3	8433.00	10	Cylinder	140	315	25	1"	3/4"	608	556
SN6/11S3/18L/P3T/G6-1-M3	9200.00	11	Cylinder	140	315	25	1"	3/4"	656	604
SN6/12S3/18L/P3T/G6-1-M3	9971.00	12	Cylinder	140	315	25	1"	3/4"	704	652

SN6 Seal Kits & Replacement Handles

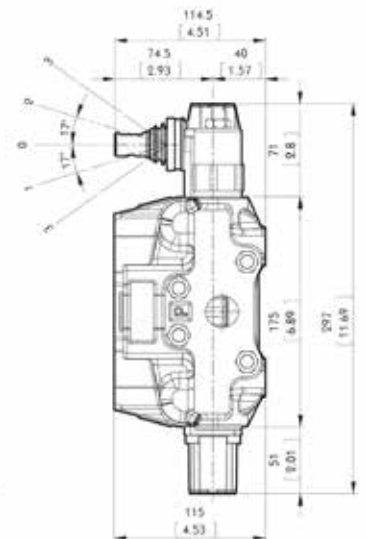
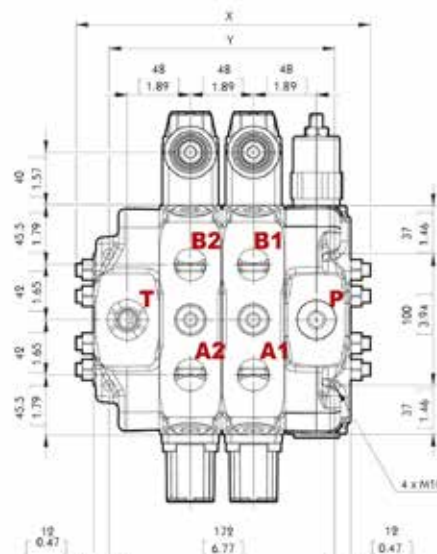
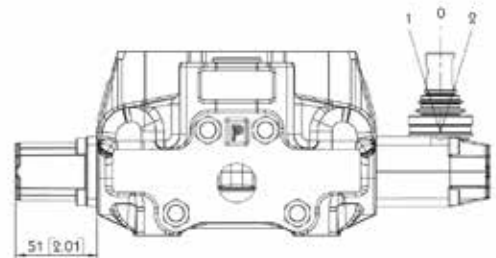
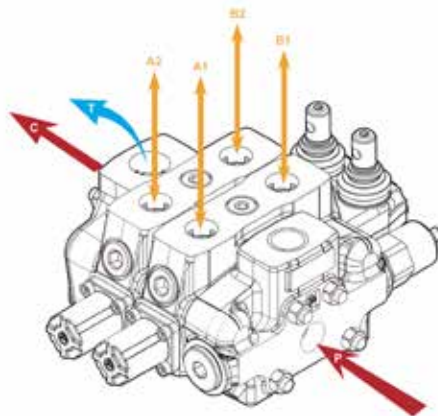
Part #	List Price \$	Description
FPSN-6-SK	17.00	Inlet relief seal
EWSN-6-SK	71.00	Working section seal kit
FTSN-6-SK	17.00	Outlet section seal kit
YLWSN63080-SK	71.00	SN6 pneumatic actuator kit
YLWSN10200	36.00	SN6 handle



Relief valve standard range 25-315 bar

Relief valve standard setting 125 bar

Port cavities in all sections



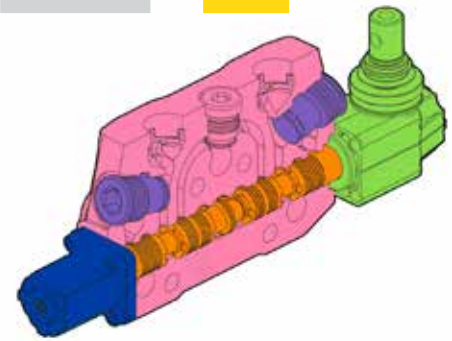
SN-6 / 2S - 3 / 18LPG2 / 26-1L / G-6-1 - M3

NOMENCLATURE GUIDE

2S	No. of working sections	8	B-side spool positioner	G-6	3/4" BSP ports
3	Inlet pressure relief valve	L	A-side option	G-1	1" BSP ports
1	Spool option	PG2	Port relief (optional)	M3	Outlet cover

* Spool sequence starts from the spool closest to the relief valve.

* Spool option B-side and A-side must be repeated for each spool section unless the configuration is common throughout the valve.



	Code	Description	List Price \$	Code	Description	List Price \$
BODY KITS	1S	1 section	1517.00	7S	7 sections	6126.00
	2S	2 sections	2283.00	8S	8 sections	6896.00
	3S	3 sections	3051.00	9S	9 sections	7665.00
	4S	4 sections	3819.00	10S	10 sections	8433.00
	5S	5 sections	4591.00	11S	11 sections	9200.00
	6S	6 sections	5358.00	12S	12 sections	9971.00

	Code	Part #	Description	List Price \$
INLET PRESSURE RELIEF VALVE	3	YLPSN63003	Range 125 to 250 bar	268.00
	SV	YLPSN64000	Relief valve blanking plug	49.00
	XFG	YLPSN63000	Pilot operated pressure relief valve, range 25 to 315 bar	STANDARD 317.00

	Code	Part #	Description	List Price \$
SPOOL OPTIONS	1	YLWSN62001	Double acting, 3 positions, A+B closed in neutral position	STANDARD 185.00
	2	YLWSN62002	Double acting, 3 positions, A+B open to tank in neutral position	STANDARD 185.00
	3	YLWSN62003	Single acting on A closed in neutral position, 3 positions, B plugged	196.00

	Code	Part #	Description	List Price \$
B-SIDE SPOOL POSITIONER	6-1	YLWSN63061	Detent in position 1-0-2, without spring centered	148.00
	8	YLWSN63008	Spring return to neutral position	STANDARD 107.00
	9-1	YLWSN63091	Detent in position 1, 2 with spring centered	278.00
	9-2	YLWSN63092	Detent in position 2 with spring centered	232.00
	9-3	YLWSN63093	Detent in position 1 with spring centered	232.00
	8EP3A	YLWSN64300-12V	ON/OFF electro-pneumatic actuator 12v DC	572.00
	8EP3B	YLWSN64300-24V	ON/OFF electro-pneumatic actuator 24v DC	572.00
	8P	YLWSN63080	ON/OFF pneumatic actuator	304.00
	8MG3	YLWSN63803	Microswitch kit operated in position 1 & 2 (normally open)	259.00
8IM	YLWSN630810	Hydraulic pilot kit, pilot pressure maximum 50 bar	160.00	

	Code	Part #	Description	List Price \$
PORT RELIEF (optional)	PG2	YLWSN65002	Anti-shock valve, range 63 to 125 bar	259.00
	PG3	YLWSN65003	Anti-shock valve, range 100 to 250 bar	259.00
	PG4	YLWSN65004	Anti-shock valve, range 200 to 315 bar	259.00
	UG2	YLWSN65012	Anti-shock valve and anti-cavitation valve, range 63 to 125 bar	325.00
	UG3	YLWSN65013	Anti-shock valve and anti-cavitation valve, range 100 to 250 bar	325.00
	UG4	YLWSN65014	Anti-shock valve and anti-cavitation valve, range 200 to 315 bar	325.00
	C	YLWSN65100	Anti-cavitation valve	246.00

	Code	Part #	Description	List Price \$
A-SIDE OPTION	L	YLWSN64000	Standard lever	STANDARD 47.00
	LCB	YLWSN64002	Joystick lever for 2 section operation	269.00

	Code	Part #	Description	List Price \$
OUTLET COVER	M3	-	Open centre	STANDARD -
	M8	-	Closed centre (power beyond conversion plug)	-

SECTIONAL VALVES

SN8 (220 LPM)

SN8 Sectional Valve

Part #	List Price \$	Qty	Spool	Max Flow (lpm)	Max Pressure (bar)		Ports (BSPP)		Dimension (mm)	
					P	T	T	P-A-B-C	X	Y
SN8/1S3/18L/P3T/G8-8-10-M3	2692.00	1	Cylinder	220	315	25	1.1/4"	1"	235	162
SN8/2S3/18L/P3T/G8-8-10-M3	3913.00	2	Cylinder	220	315	25	1.1/4"	1"	297	224
SN8/3S3/18L/P3T/G8-8-10-M3	5130.00	3	Cylinder	220	315	25	1.1/4"	1"	359	286
SN8/4S3/18L/P3T/G8-8-10-M3	6354.00	4	Cylinder	220	315	25	1.1/4"	1"	421	348
SN8/5S3/18L/P3T/G8-8-10-M3	7572.00	5	Cylinder	220	315	25	1.1/4"	1"	483	410
SN8/6S3/18L/P3T/G8-8-10-M3	8794.00	6	Cylinder	220	315	25	1.1/4"	1"	545	472
SN8/7S3/18L/P3T/G8-8-10-M3	10008.00	7	Cylinder	220	315	25	1.1/4"	1"	607	534
SN8/8S3/18L/P3T/G8-8-10-M3	11232.00	8	Cylinder	220	315	25	1.1/4"	1"	669	596
SN8/9S3/18L/P3T/G8-8-10-M3	12454.00	9	Cylinder	220	315	25	1.1/4"	1"	731	658
SN8/10S3/18L/P3T/G8-8-10-M3	13672.00	10	Cylinder	220	315	25	1.1/4"	1"	793	720
SN8/11S3/18L/P3T/G8-8-10-M3	14893.00	11	Cylinder	220	315	25	1.1/4"	1"	855	782
SN8/12S3/18L/P3T/G8-8-10-M3	16111.00	12	Cylinder	220	315	25	1.1/4"	1"	917	844

SN8 Seal Kits & Replacement Handles

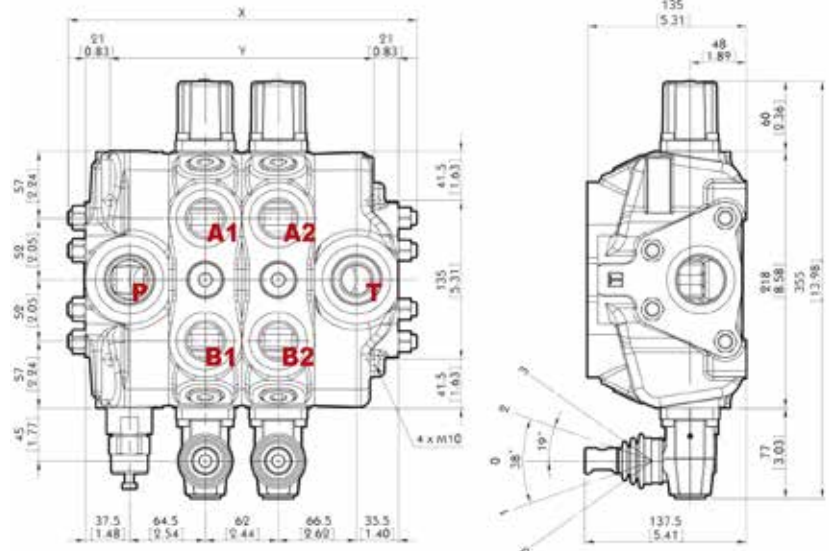
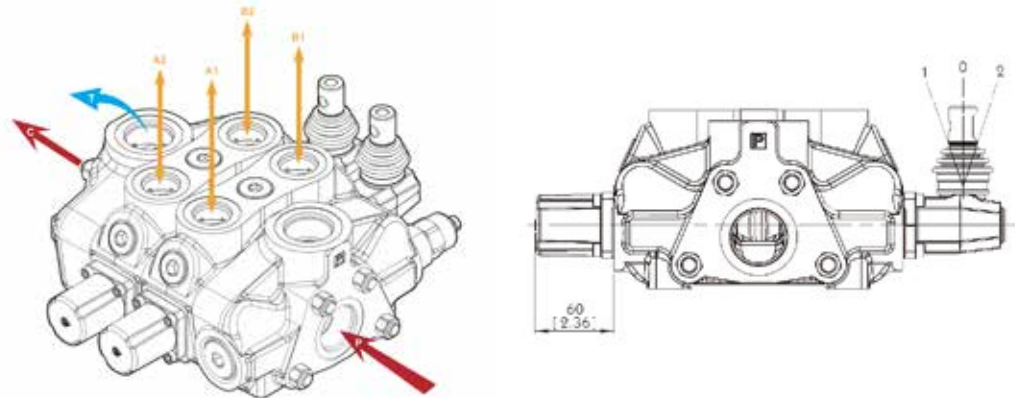
Part #	List Price \$	Description
FPSN-8-SK	24.00	Inlet relief seal
EWSN-8-SK	91.00	Working section seal kit
FTSN-8-SK	26.00	Outlet section seal kit
YLWSN83080-SK	130.00	SN8 pneumatic actuator seal kit
YLWSN12200	40.00	SN8 handle



Relief valve standard range 25-315 bar

Relief valve standard setting 125 bar

Port cavities in all sections



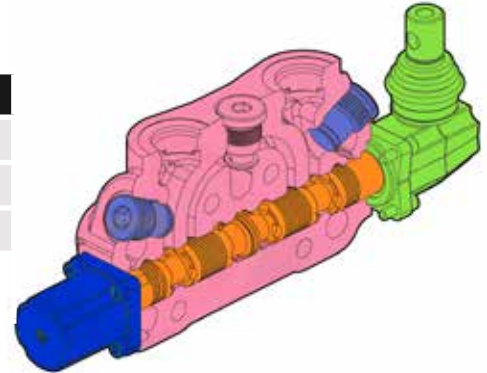
SN-8 / 2S - 3 / 18LPG2 / 26-1L / G-8-8-10 - M3

NOMENCLATURE GUIDE

2S	No. of working sections	8	B-side spool positioner	G-8	1" BSP ports
3	Inlet pressure relief valve	L	A-side option	G-10	1.1/4" BSP ports
1	Spool option	PG2	Port relief (optional)	M3	Outlet cover

* Spool sequence starts from the spool closest to the relief valve.

* Spool option B-side and A-side must be repeated for each spool section unless the configuration is common throughout the valve.



BODY KITS	Code	Description	List Price \$	Code	Description	List Price \$
	1S	1 section	2692.00	7S	7 sections	10008.00
2S	2 sections	3913.00	8S	8 sections	11232.00	
3S	3 sections	5130.00	9S	9 sections	12454.00	
4S	4 sections	6354.00	10S	10 sections	13672.00	
5S	5 sections	7572.00	11S	11 sections	14893.00	
6S	6 sections	8794.00	12S	12 sections	16111.00	

INLET PRESSURE RELIEF	Code	Part #	Description	List Price \$
	XHG	YLPSN83000	Pilot operated pressure relief valve, range 25 to 315 bar	STANDARD
SV	YLPSN64000	Relief valve blanking plug		49.00

SPOOL OPTIONS	Code	Part #	Description	List Price \$
	1	YLWSN82001	Double acting, 3 positions, A+B closed in neutral position	STANDARD
2	YLWSN82002	Double acting, 3 positions, A+B open to tank in neutral position	STANDARD	329.00
3	YLWSN82003	Single acting on A closed in neutral position, 3 positions, B plugged		370.00
4	YLWSN82004	Single acting on B closed in neutral position, 3 positions, A plugged		366.00

B-SIDE SPOOL POSITIONER	Code	Part #	Description	List Price \$
	6-1	YLWSN83061	Detent in position 1-0-2, without spring centered	
6-3	YLWSN83063	2 positions, detent in position 1-0, without spring centered		164.00
8	YLWSN83008	Spring return to neutral position	STANDARD	128.00
9-1	YLWSN83091	Detent in position 1, 2 with spring centered		349.00
9-2	YLWSN83092	Detent in position 2 with spring centered		354.00
8P	YLWSN83080	ON/OFF pneumatic actuator		411.00
8EP3A	YLWSN84300-12V	ON/OFF electro-pneumatic actuator 12v DC		678.00
8EP3B	YLWSN84300-24V	ON/OFF electro-pneumatic actuator 24v DC		678.00
8IM	YLWSN830810	Hydraulic pilot kit, 181 mm, cylinder spool		616.00
8IM	YLWSN830811	Hydraulic pilot kit, 281 mm, motor spool		616.00

PORT RELIEF (optional)	Code	Part #	Description	List Price \$
	XU2	YLWSN85012	Anti-shock valve and anti-cavitation valve, range 63 to 125 bar	
XU3	YLWSN85013	Anti-shock valve and anti-cavitation valve, range 100 to 250 bar		402.00
XU4	YLWSN85014	Anti-shock valve and anti-cavitation valve, range 200 to 315 bar		402.00

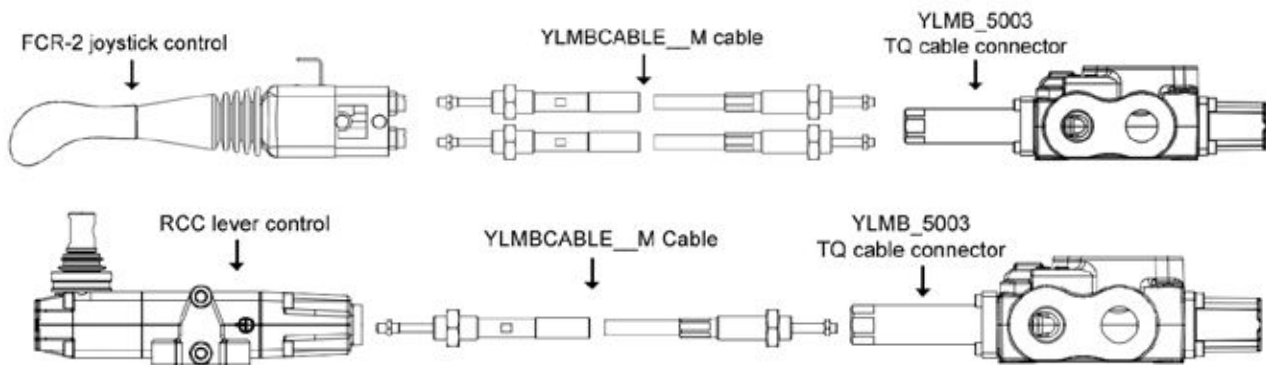
A-SIDE OPTION	Code	Part #	Description	List Price \$
	L	YLWSN84000	Standard lever	STANDARD

OUTLET COVER	Code	Part #	Description	List Price \$
	M3	-	Open centre	STANDARD
M8	-	Closed centre (power beyond conversion plug)		-

Cable Control

Part #	List Price \$	Description
RCC-3/1S/HL	271.00	Remote lever for cable control SN2,3,4 (requires 1 x TQ cable connector & 1 x cable)
RCC-5/1S/HL	310.00	Remote lever for cable control SN5 (requires 1 x TQ cable connector & 1 x cable)
FCR-2	476.00	Joystick for cable control, dual axis (requires 2 x TQ cable connector & 2 x cable)
YLMB34004	165.00	TQ cable connector, spool to joystick cable, SN3
YLMB44003	110.00	TQ cable connector, spool to joystick cable, SN4
YLMB64003	160.00	TQ cable connector, spool to joystick cable, SN6
YLMB84003	247.00	TQ cable connector, spool to joystick cable, SN8
YLMBCABLE1M	221.00	Cable 1 metre
YLMBCABLE1.5M	227.00	Cable 1.5 metre
YLMBCABLE2M	240.00	Cable 2 metre
YLMBCABLE2.5M	255.00	Cable 2.5 metre
YLMBCABLE3M	268.00	Cable 3 metre

RCC lever controllers can be bolted together when used on multiple spools



Hydraulic Pilot Controllers

Part #	List Price \$	Description	Axis	Flow	Inlet Pressure Range	A+B Outlet Pressure Range	Max Back Pressure
JHP-1/1S-G2/8-A01B	492.00	Spring centre	Single	5-20 lpm	30-100 bar	5-19 bar	3 bar
JHP-1/1S-G2/9-1-A01B	584.00	Spring centre friction detent in pos.1+2	Single	5-20 lpm	30-100 bar	5-19 bar	3 bar
JHP-1/1S-G2/FD-A01B	576.00	Friction detent	Single	5-20 lpm	30-100 bar	5-19 bar	3 bar
JHP-1/1S-G2/LES-A01B	616.00	Safety lever detent in neutral	Single	5-20 lpm	30-100 bar	5-19 bar	3 bar
JHP-2/01-G2/01-LCB-B02B	1145.00	Spring centre	Dual	5-20 lpm	30-100 bar	6-25 bar	3 bar
NEW PHP-1/02-G2/8-A05B	1412.00	Spring centre	Single	5-20 lpm	30-100 bar	2-20.5 bar	3 bar
NEW PHP-1/02-G2/8-A02B	1412.00	Spring centre	Single	5-20 lpm	30-100 bar	6-25 bar	3 bar

All hydraulic pilot controllers are suitable for use with sectional, proportional and monoblock valves.

JHP pilot controllers can be bolted together when used on multiple spools.

