

CATFORD ENGINEERING PRODUCTS

Jamestown
SA 5491

All Prices Excluding GST

Phone: 0418 641 566

www.catford.com.au sales@catford.com.au

Tank & Tank Accessories

- *Steel Tanks
- *Lids & Gaskets
- *Push In & Threaded Filler Breathers
- *Sight Gauges & Diffusers
- *Level Gauges
- *Suction Strainers





Lot 25, Mannanarie Road, Jamestown, South Australia 5491

PO Box 178, Jamestown, South Australia 5491



0418 641 566



sales@catford.com.au

Due to fluctuations in the Australian dollar and the economic climate, please be advised that all prices are subject to change.
Please contact us to confirm pricing.

All prices stated within are exclusive of GST
(All prices are correct as of January 1st 2024, but Catford Engineering reserve the right to change these prices without notice)

Tanks & Tank Accessories

CATFORD Jamestown
SA 5491
ENGINEERING
PRODUCTS

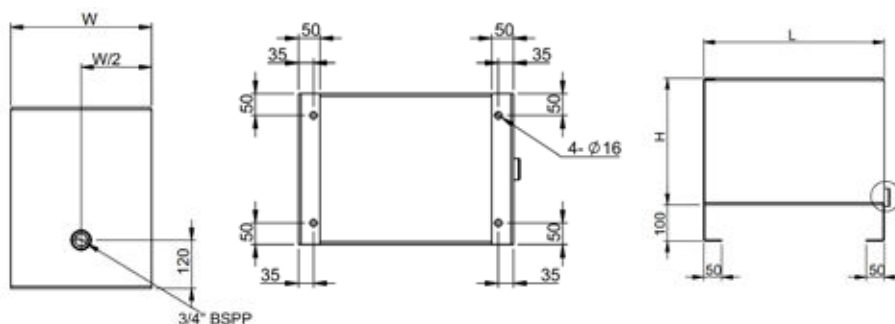
Phone: 0418 641 566

www.catford.com.au sales@catford.com.au

Industrial Steel Tanks

Part #	List Price \$		Useable Litres	Volume	Tank Size (mm)			Total Unit Height (mm)
	Uncoated	Coated			L	W	H	
SE10LT	295.00	295.00	10 L	12 L	310	240	207	225
IT-25	1065.00	1190.00	25 L	28 L	360	360	220	320
IT-40	1280.00	1349.00	40 L	60 L	500	350	350	450
IT-70	1505.00	1609.00	70 L	100 L	600	425	400	500
IT-120	2024.00	2269.00	120 L	165 L	700	500	475	575
IT-200	2248.00	2588.00	200 L	260 L	800	600	550	650
IT-300	2545.00	2991.00	300 L	380 L	900	700	600	700
IT-400	3023.00	3500.00	400 L	500 L	900	700	800	900

Note: for COATED option, add "C" to end of part number, e.g. IT-25C



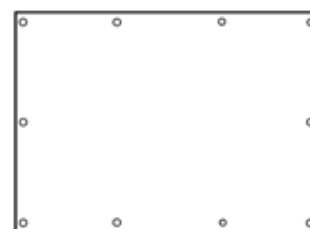
Tank Lid Gaskets

Part #	List Price \$	Material	Size
GUS10	24.00	Paper	To suit 10 L tank
ITG-25C	78.00	Cork	To suit 25 L tank
ITG-40C	115.00	Cork	To suit 40 L tank
ITG-70C	160.00	Cork	To suit 70 L tank
ITG-120C	160.00	Cork	To suit 120 L tank
ITG-200C	280.00	Cork	To suit 200 L tank
ITG-300C	324.00	Cork	To suit 300/400 L tank



Tank Lid - Uncoated and Uncut

Part #	List Price \$	Description
ITL10	193.00	Lid for 10 L tanks - uncoated and lid bolt holes only
ITL25	231.00	Lid for 25 L tanks - uncoated and lid bolt holes only
ITL40	269.00	Lid for 40 L tanks - uncoated and lid bolt holes only
ITL70	320.00	Lid for 70 L tanks - uncoated and lid bolt holes only
ITL120	443.00	Lid for 120 L tanks - uncoated and lid bolt holes only
ITL200	495.00	Lid for 200 L tanks - uncoated and lid bolt holes only
ITL300	683.00	Lid for 300/400 L tanks - uncoated and lid bolt holes only



Suction Butterfly Valves - see page 345

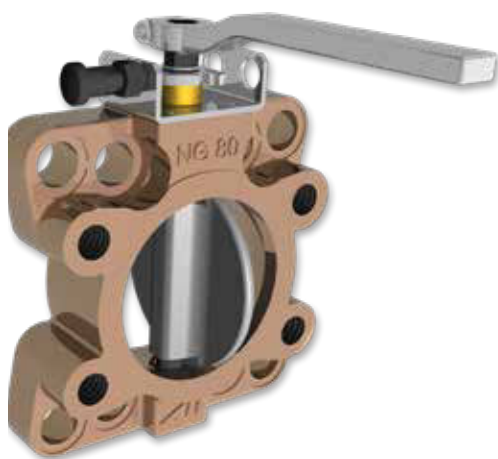
Tank Lids - Coated & Cut

Part #	List Price \$	Tank Size	Motor Size	Breather	Filter	Manifold
ITL10-90-M3	193.00	10 L	D80-90	FB3	n/a	2-6 cetop3 valves
ITL10-90-BS3C2	193.00	10 L	D80-90	FB3	n/a	Single cetop3 valve
ITL10-RFB	193.00	10 L	n/a	FB3	TIFP04	n/a
ITL25-71-M3	231.00	25 L	D71	FB3	FIF-04	2-6 cetop3 valves
ITL25-71-S3	231.00	25 L	D71	FB3	FIF-04	P+T or single cetop3 valve
ITL25-90-M3	231.00	25 L	D80-90	FB3	FIF-04	2-6 cetop3 valves
ITL25-90-S3	231.00	25 L	D80-90	FB3	FIF-04	P+T or single cetop3 valve
ITL25-100-M3	231.00	25 L	D100-112	FB3	FIF-04	2-6 cetop3 valves
ITL25-100-S3	231.00	25 L	D100-112	FB3	FIF-04	P+T or single cetop3 valve
ITL25-RFB	231.00	25 L	n/a	FB6	TIFP04	n/a
ITL40-71-M3	269.00	40 L	D71	FB3	FIF-04	2-6 cetop3 valves
ITL40-71-S3	269.00	40 L	D71	FB3	FIF-04	P+T or single cetop3 valve
ITL40-90-M3	269.00	40 L	D80-90	FB3	FIF-04	2-6 cetop3 valves
ITL40-90-S3	269.00	40 L	D80-90	FB3	FIF-04	P+T or single cetop3 valve
ITL40-100-M3	269.00	40 L	D100-112	FB3	FIF-04	2-6 cetop3 valves
ITL40-100-S3	269.00	40 L	D100-112	FB3	FIF-04	P+T or single cetop3 valve
ITL40-RFB-TIFP06	269.00	40 L	n/a	FB6	TIFP06	n/a
ITL70-90-M3	320.00	70 L	D80-90	FB6	FIF-06/08	2-6 cetop3 valves
ITL70-90-S3	320.00	70 L	D80-90	FB6	FIF-06/08	P+T or single cetop3 valve
ITL70-100-M3	320.00	70 L	D100-112	FB6	FIF-06/08	2-6 cetop3 valves
ITL70-100-S3	320.00	70 L	D100-112	FB6	FIF-06/08	P+T or single cetop3 valve
ITL70-132-M3	320.00	70 L	D132	FB6	FIF-06/08	2-6 cetop3 valves
ITL70-132-S3	320.00	70 L	D132	FB6	FIF-06/08	P+T or single cetop3 valve
ITL70-RFB	320.00	70 L	n/a	FB6	TIFP06	n/a
ITL120-100-M3	443.00	120 L	D100-112	FB6	FIF-06/08	2-6 cetop3 valves
ITL120-100-S3	443.00	120 L	D100-112	FB6	FIF-06/08	P+T or single cetop3 valve
ITL120-132-M3	443.00	120 L	D132	FB6	FIF-06/08	2-6 cetop3 valves
ITL120-132-S3	443.00	120 L	D132	FB6	FIF-06/08	P+T or single cetop3 valve
ITL120-160-M5	443.00	120 L	D160-180	FB6	FIF-10	2-6 cetop3 valves
ITL120-160-S5	443.00	120 L	D160-180	FB6	FIF-10	P+T or single cetop3 valve
ITL120-RFB	443.00	120 L	n/a	FB6	TIFP10	n/a
ITL200-132-M5	495.00	200 L	D132	FB6	FIF-10	2-6 cetop5 valves
ITL200-132-S5	495.00	200 L	D132	FB6	FIF-10	P+T or single cetop5 valve
ITL200-160-M5	495.00	200 L	D160-180	FB6	FIF-10	2-6 cetop5 valves
ITL200-160-S5	495.00	200 L	D160-180	FB6	FIF-10	P+T or single cetop5 valve
ITL200-RFB	495.00	200 L	n/a	FB6	TIFP10	n/a
ITL300-160-M5	683.00	300-400 L	D160-180	FB6	FIF-10	2-6 cetop5 valves
ITL300-160-S5	683.00	300-400 L	D160-180	FB6	FIF-10	P+T or single cetop5 valve
ITL300-RFB	683.00	300-400 L	n/a	FB6	TIFP10	n/a
ITL300-200-M5	749.00	300-400 L	D200	FB6	TIFP10	2-6 cetop5 valves
ITL300-200-S5	749.00	300-400 L	D200	FB6	TIFP10	P+T or single cetop5 valve
ITL300-225-M5	749.00	300-400 L	D225	FB6	TIFP10	2-6 cetop5 valves
ITL300-225-S5	749.00	300-400 L	D225	FB6	TIFP10	P+T or single cetop5 valve
ITL300-250-M5	749.00	300-400 L	D250	FB6	TIFP10	2-6 cetop5 valves
ITL300-250-S5	749.00	300-400 L	D250	FB6	TIFP10	P+T or single cetop5 valve

Suction Butterfly Valves

Part #	List Price \$	Size	Max Working Pressure	Differential Pressure
SDA0040	526.00	DIN40 SAE 1.1/2"	7 bar	6 bar
SDA0050	585.00	DIN50 SAE 2"	7 bar	6 bar
SDA0063	615.00	DIN65 SAE 2.1/2"	7 bar	6 bar
SDA0080	685.00	DIN80 SAE 3"	7 bar	6 bar
SDA0100	824.00	DIN100 SAE 4"	7 bar	6 bar
SDA0125	962.00	DIN125 SAE 5"	7 bar	6 bar

SDA Series (front)



SDA Series (back)

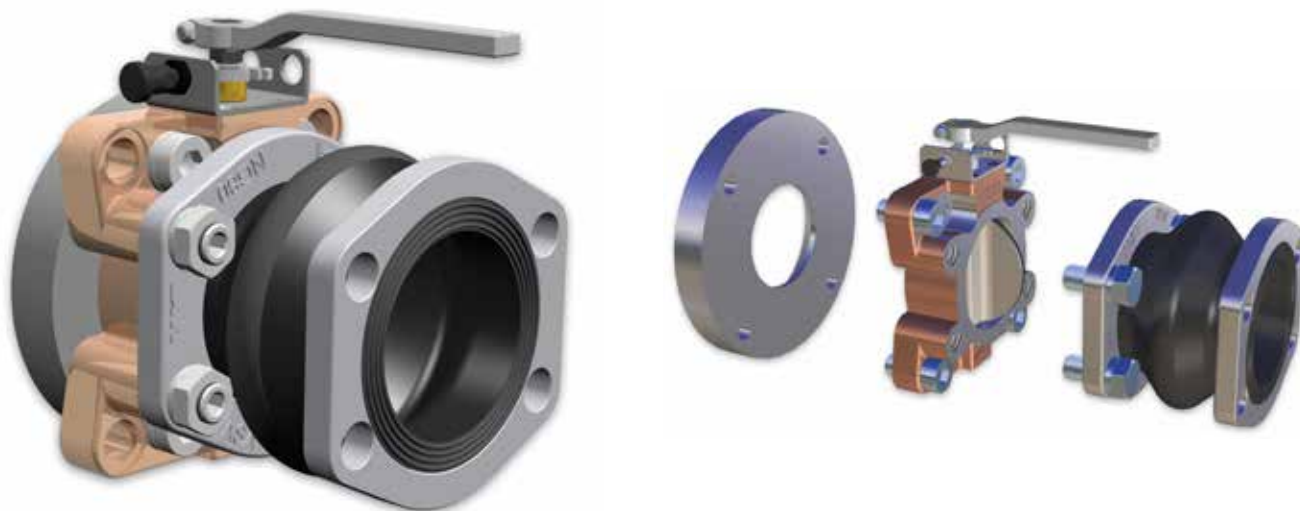


SDAET Series



Adaptor Flange

Part #	List Price \$	Description	Material
SDAET040K	228.00	Adaptor NG40	ST37 Steel
SDAET063K	248.00	Adaptor NG50 & 63	ST37 Steel
SDAET080K	268.00	Adaptor NG80	ST37 Steel
SDAET100K	357.00	Adaptor NG100	ST37 Steel
SDAET125K	426.00	Adaptor NG125	ST37 Steel



Compensators - SAE

Part #	List Price \$	Size	Material	Max Working Pressure
SDKSS025	424.00	NG25 SAE 1"	NBR/CR Steel	1.5 bar (absolute)
SDKSS032	440.00	NG32 SAE 1.1/4"	NBR/CR Steel	1.5 bar (absolute)
SDKSS040	440.00	NG40 SAE 1.1/2"	NBR/CR Steel	1.5 bar (absolute)
SDKSS050	502.00	NG50 SAE 2"	NBR/CR Steel	1.5 bar (absolute)
SDKSS063	532.00	NG63 SAE 2.1/2"	NBR/CR Steel	1.5 bar (absolute)
SDKSS080	586.00	NG80 SAE 3"	NBR/CR Steel	1.5 bar (absolute)
SDKSS092	656.00	NG90 SAE 3.1/2"	NBR/CR Steel	1.5 bar (absolute)
SDKSS100	793.00	NG100 SAE 4"	NBR/CR Steel	1.5 bar (absolute)
SDKSS126	1056.00	NG125 SAE 5"	NBR/CR Steel	1.5 bar (absolute)

SAE Series



DIN Series

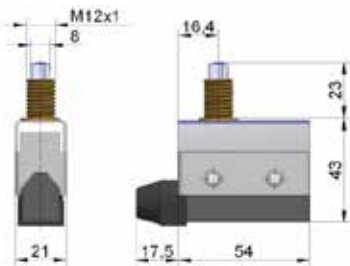


Compensators - DIN

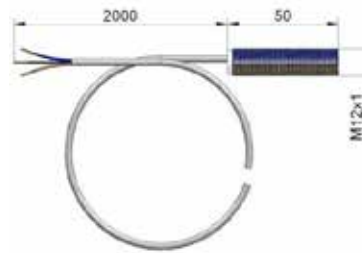
Part #	List Price \$	Size	Material	Nominal Pressure
SDKHDD6D60032N00	582.00	NG32	NBR/CR Steel	Up to 16 bar
SDKHDD6D60040N00	606.00	NG40	NBR/CR Steel	Up to 16 bar
SDKHDD6D60050N00	695.00	NG50	NBR/CR Steel	Up to 16 bar
SDKHDD6D60065N00	849.00	NG65	NBR/CR Steel	Up to 16 bar
SDKHDD6D60080N00	1052.00	NG80	NBR/CR Steel	Up to 16 bar
SDKHDD6D60100N00	1247.00	NG100	NBR/CR Steel	Up to 16 bar
SDKHDD6D60125N00	1795.00	NG125	NBR/CR Steel	Up to 16 bar
SDKHDD6D60200N00	3624.00	NG200	NBR/CR Steel	Up to 16 bar
SDKHDD6D60300N00	6901.00	NG300	NBR/CR Steel	Up to 16 bar

Limit Switches

Part #	List Price \$	Description
EAFSMK	108.00	Mechanical Limit Switch
EAFSIK	180.00	Inductive Limit Switch



EAFSMK



EAFSIK

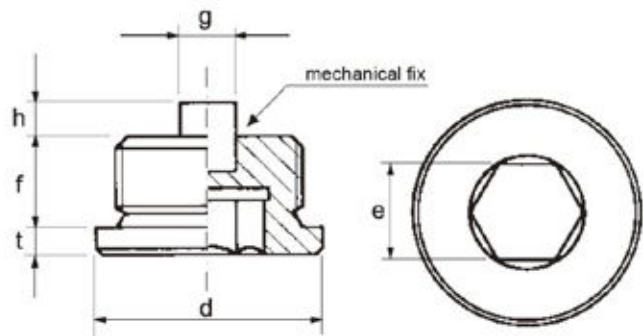


Magnetic Oil Drain Plugs

Part #	List Price \$	Thread	Dimensions (mm)				
			g	h	f	t	d
TCEM0G	17.00	1/8" BSPP	3	4	8	3	14
TCEM1G	17.00	1/4" BSPP	5	5	12	3	18
TCEM2G	18.00	3/8" BSPP	5	5	12	3	22
TCEM3G	23.00	1/2" BSPP	6	5	14	4	26
TCEM4G	35.00	3/4" BSPP	10	6	16	4	32
TCEM5G	41.00	1" BSPP	10	6	16	5	40
TCEM6G	81.00	1.1/4" BSPP	15	10	16	5	49

MADE IN EUROPE

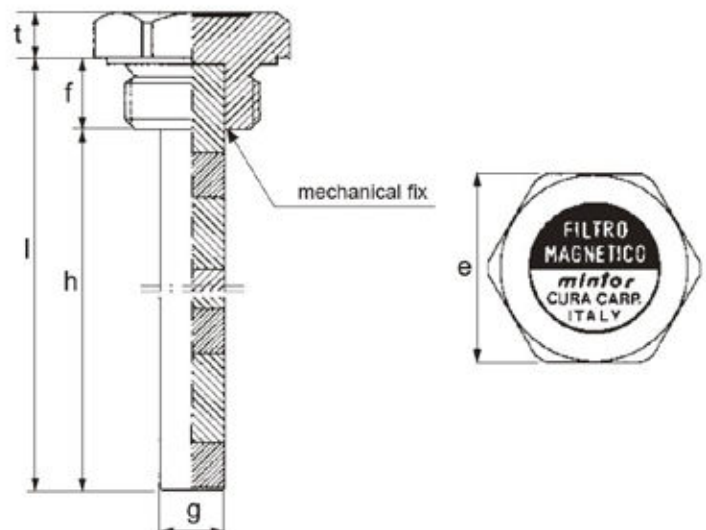
Note: includes metal washer



Magnetic Oil Filter Rods

Part #	List Price \$	Thread	Dimensions (mm)				
			t	f	l	h	g
FMC1G	95.00	3/8" BSPP	7	10	80	70	9
FMC2G	116.00	1/2" BSPP	8.5	10	95	85	12
FMC3G	151.00	3/4" BSPP	9.5	12	102	90	17
FMC4G	191.00	1" BSPP	9.5	14	104	90	17

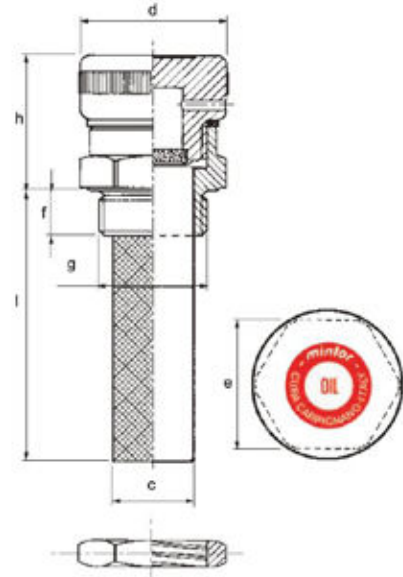
MADE IN EUROPE



Filler Breathers

Part #	List Price \$	Thread	Filler	Breather	Material	Dimensions (mm)						
						d	g	f	h	i	c	e
TRTCSF/Z	99.00	1" BSPP	800 µm	40 µm	Aluminium	45	33.3	14	42	82	25	40
TRTCSF/Z-NUT	11.00	Backing nuts to suit M12x1.75 thread (sold individually)										

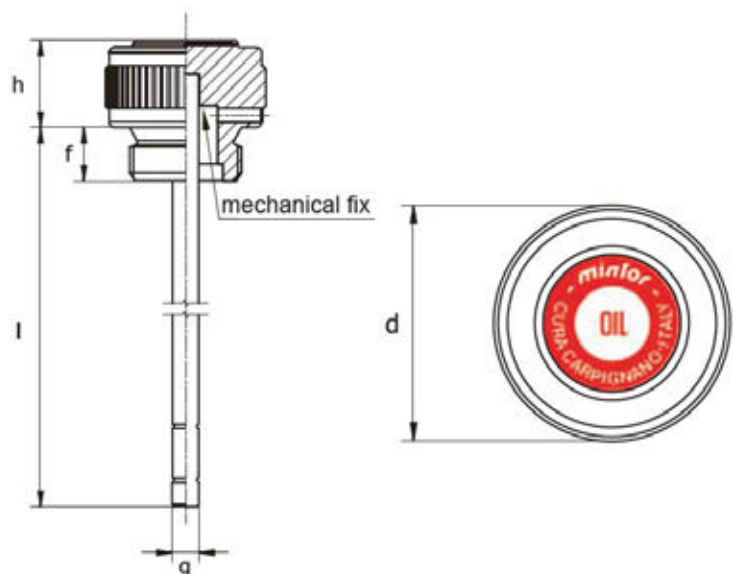
MADE IN EUROPE



Threaded Breathers

Part #	List Price \$	Thread	Material	Dimensions (mm)				
				h	f	i	g	d
TCLS/Z1G	20.00	1/4" BSPP	Aluminium	12	8	120	5	22
TCLS/Z2G	21.00	3/8" BSPP	Aluminium	13.5	10	170	5	26
TCLS/Z3G	24.00	1/2" BSPP	Aluminium	16.5	10	170	5	30
TCLS/Z4G	33.00	3/4" BSPP	Aluminium	21.5	12	200	5	40
TCLS/Z5G	47.00	1" BSPP	Aluminium	21.5	14	200	5	45

MADE IN EUROPE

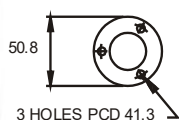


Filler Breathers

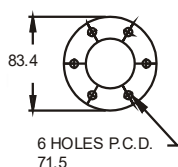
Part #	List Price \$	Maximum Flow	Micron	Mount	Material
FB3	34.00	90 lpm	10 µm	3 bolt - PCD 41.3mm	Chrome Steel
FB6	52.00	400 lpm	10 µm	6 bolt - PCD 71.5mm	Chrome Steel
FSBP	69.00	400 lpm	10 µm	6 bolt - PCD 71.5mm	Polyamide
FB6LT	63.00	400 lpm	10 µm	6 bolt - PCD 71.5mm, lock tab	Chrome Steel
FB6HN	71.00	400 lpm	10 µm	6 bolt - PCD 71.5mm, high neck	Chrome Steel
FB6P5	79.00	400 lpm	10 µm	6 bolt - PCD 71.5mm, pressure valve 5psi	Chrome Steel
FB6SM	97.00	400 lpm	10 µm	6 bolt - side mount	Ch.Steel/Aluminium
PB25	40.00	720 lpm	40 µm	Push fit 1-1/2"	Chrome Steel



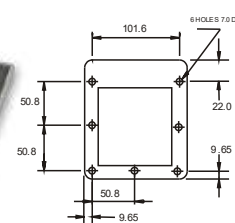
3 Bolt



6 Bolt



Side Mount



Threaded Breathers

Part #	List Price \$	Maximum Flow	Micron	Thread	Material
TB14	26.00	90 lpm	10 µm	1/4" BSPP	Chrome/Steel
TB38	26.00	90 lpm	10 µm	3/8" BSPP	Chrome/Steel
TB12	47.00	400 lpm	10 µm	1/2" BSPP	Chrome/Steel
TB34	45.00	400 lpm	10 µm	3/4" BSPP	Chrome/Steel
TB34P5	69.00	400 lpm	10 µm	3/4" BSPP	Chrome/Steel
TB1	55.00	400 lpm	10 µm	1" BSPP	Chrome/Steel
TB114	87.00	1000 lpm	10 µm	1.1/4" BSPP	Polyamide
TB112	87.00	1000 lpm	10 µm	1.1/2" BSPP	Polyamide
TB2	117.00	2000 lpm	10 µm	2" BSPP	Polyamide
TB212	164.00	4000 lpm	10 µm	2.1/2" BSPP	Polyamide
ABP03B	11.00	n/a	40 µm	3/8" BSPP	Polyamide
ABP04B	12.00	n/a	40 µm	1/2" BSPP	Polyamide
ABP06B	17.00	n/a	40 µm	3/4" BSPP	Polyamide
ABP08B	21.00	n/a	40 µm	1" BSPP	Polyamide



TB12



TB2



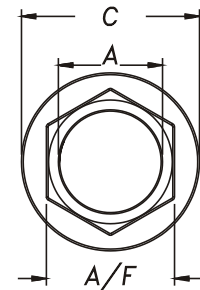
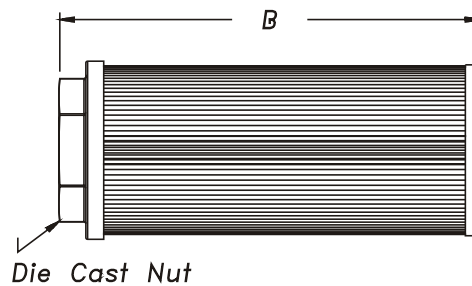
APB

Suction Strainer

Part #	List Price \$	Micron	Flow	Dimensions (mm)			
				A	B	C	A/F
SS14	24.00	149 µm	8 lpm	1/4" BSPP	90	46	24
SS38	26.00	149 µm	12 lpm	3/8" BSPP	90	46	24
SS12	27.00	149 µm	20 lpm	1/2" BSPP	105	46	30
SS34	35.00	149 µm	28 lpm	3/4" BSPP	109	64	35
SS1	36.00	149 µm	40 lpm	1" BSPP	139	64	46
SS114	50.00	149 µm	60 lpm	1.1/4" BSPP	139	86	51
SS112	63.00	149 µm	120 lpm	1.1/2" BSPP	200	86	60
SS2	75.00	149 µm	160 lpm	2" BSPP	235	100	70
SS212	130.00	149 µm	300 lpm	2.1/2" BSPP	211	150	90
SS3	160.00	149 µm	400 lpm	3" BSPP	272	150	100

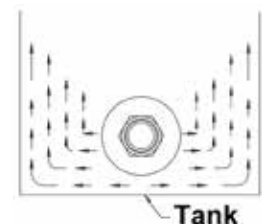
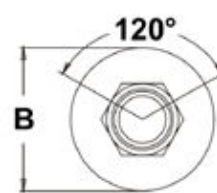
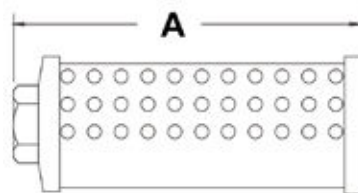
Suction Strainer with Bypass

Part #	List Price \$	Micron	Flow	Bypass Pressure	Dimensions (mm)			
					A	B	C	A/F
SS14B3	32.00	149 µm	8 lpm	3 psi	1/4" BSPP	90	46	24
SS38B3	34.00	149 µm	12 lpm	3 psi	3/8" BSPP	90	46	24
SS12B3	36.00	149 µm	20 lpm	3 psi	1/2" BSPP	105	46	30
SS34B3	44.00	149 µm	28 lpm	3 psi	3/4" BSPP	109	64	35
SS1B3	48.00	149 µm	40 lpm	3 psi	1" BSPP	139	64	46
SS114B3	64.00	149 µm	60 lpm	3 psi	1.1/4" BSPP	139	86	51
SS112B3	80.00	149 µm	80 lpm	3 psi	1.1/2" BSPP	168	86	60



Diffusers

Part #	List Price \$	Thread	Max Flow	A	B
DIF34	36.00	3/4" BSPP	50 lpm	120mm	64mm
DIF1	51.00	1" BSPP	100 lpm	125mm	86mm
DIF114	55.00	1.1/4" BSPP	200 lpm	160mm	86mm

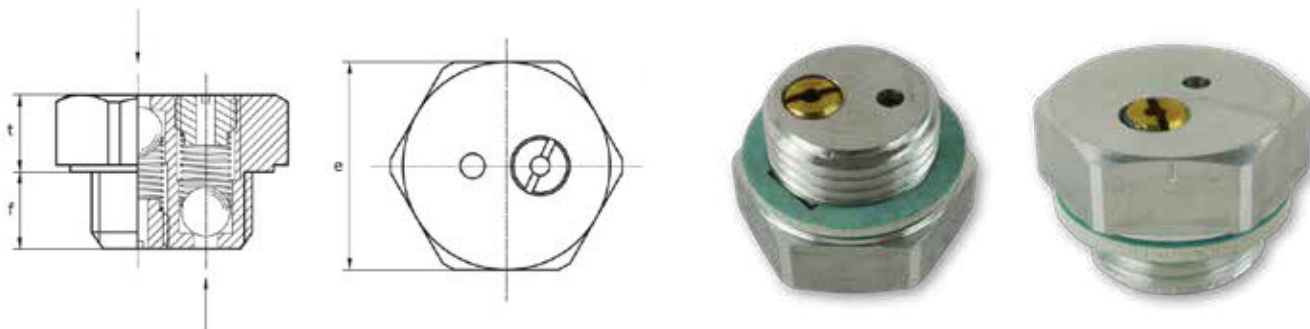


Venting Plug

Part #	List Price \$	Thread	Pressure	Material	Dimensions (mm)		
					t	f	e
TSVV1G	29.00	1/4" BSPP	0-10 bar	Aluminium	10	10	17
TSVV2G	30.00	3/8" BSPP	0-10 bar	Aluminium	10	10	22
TSVV3G	38.00	1/2" BSPP	0-10 bar	Aluminium	10	10	27

MADE IN EUROPE

Normally closed to atmosphere, with 2-way adjustable venting

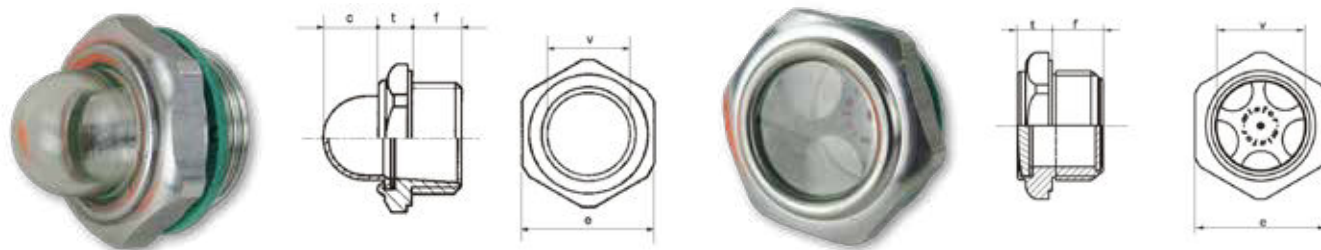


Sight Gauges

Part #	List Price \$	Thread	Material	Dimensions (mm)				
				f	t	v	e	c
IFC0G	19.00	3/8" BSPP	Aluminium	9	6	16	24	9
IFC1G	21.00	1/2" BSPP	Aluminium	10	9.5	16	27	9
IFC2G	23.00	3/4" BSPP	Aluminium	11	10	16	32	9
IFC3G	32.00	1" BSPP	Aluminium	14	10	19	40	13
IFC4G	60.00	1.1/4" BSPP	Aluminium	15	10.5	25	50	17
IFC5G	69.00	1.1/2" BSPP	Aluminium	15	10.5	33	55	23
IFC6G	131.00	2" BSPP	Aluminium	15	14	36	70	24

MADE IN EUROPE

IFC Series



TLA Series

Sight Gauges

Part #	List Price \$	Thread	Material	Dimensions (mm)			
				f	t	v	e
TLA1G	13.00	1/4" BSPP	Aluminium	8	7	10	17
TLA2G	17.00	3/8" BSPP	Aluminium	10.5	7	13	22
TLA3G	19.00	1/2" BSPP	Aluminium	11	9	16	27
TLA4G	21.00	3/4" BSPP	Aluminium	12	9	21	32
TLA5G	29.00	1" BSPP	Aluminium	15.5	10	27	40
TLA6G	56.00	1.1/4" BSPP	Aluminium	15	10	37	40
TLA7G	64.00	1.1/2" BSPP	Aluminium	15	10	40	55
TLA8G	124.00	2" BSPP	Aluminium	17	14	50	70

MADE IN EUROPE

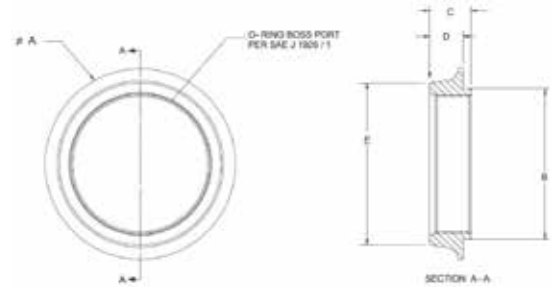
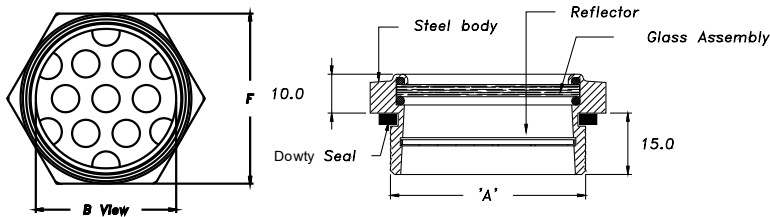
Sight Gauges

Part #	List Price \$	Material	A	Dimensions (mm)	
				B	F
SG38	17.00	Steel	3/8" BSPP	10	22
SG12	20.00	Steel	1/2" BSPP	14	25
SG34	23.00	Steel	3/4" BSPP	20	32
SG1	26.00	Steel	1" BSPP	24	38
SG114	34.00	Steel	1.1/4" BSPP	33	44
SG112	38.00	Steel	1.1/2" BSPP	39	55



MADE IN EUROPE

SG



SGWN

Sight Gauge Weld Flanges

Part #	List Price \$	Material	Thread	Dimensions (mm)				
				A	B	C	D	E
SGWN38	12.00	Steel	3/8" BSPP	38.10	23.62	14.22	7.87	25.40
SGWN12	12.00	Steel	1/2" BSPP	54.10	35.05	17.52	11.17	36.57
SGWN34	19.00	Steel	3/4" BSPP	54.10	35.05	17.52	11.17	36.57
SGWN1	23.00	Steel	1" BSPP	60.45	42.16	19.05	12.70	44.45
SGWN114	27.00	Steel	1.1/4" BSPP	68.32	50.80	19.05	12.70	54.10
SGWN112	34.00	Steel	1.1/2" BSPP	76.20	57.15	21.74	19.05	60.45

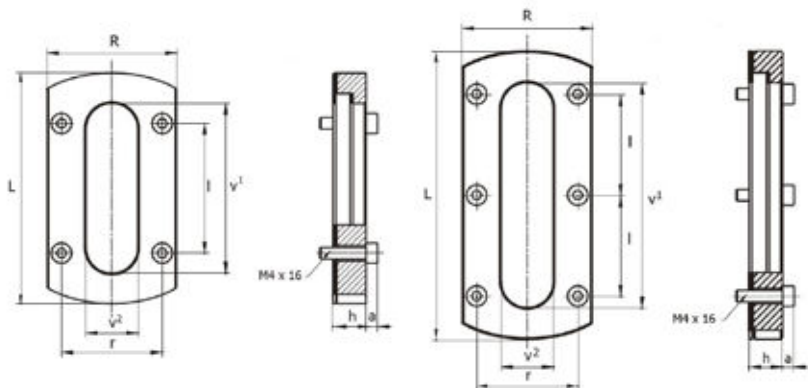


MADE IN EUROPE

Flanged Vertical Level Gauge

Part #	List Price \$	Material	Dimensions (mm)							
			L	R	l	r	V1	V2	h	α
LVF-60	174.00	Aluminium	60	45	28	35	39	18	11.5	4
LVF-80	206.00	Aluminium	80	45	45	35	59	18	11.5	4
LVF-100	218.00	Aluminium	100	45	35	35	78	18	11.5	4

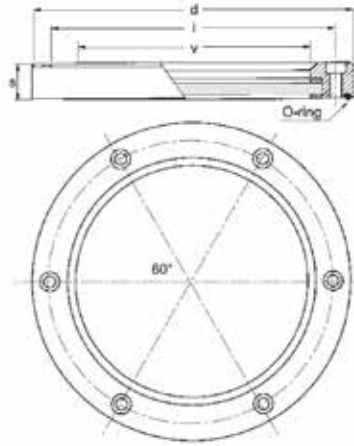
MADE IN EUROPE



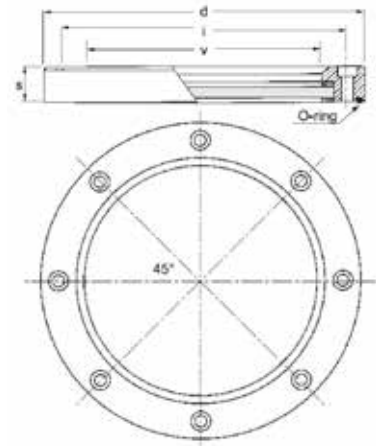
Inspection Port Hole

Part #	List Price \$	Material	Dimensions (mm)			
			v	d	l	s
OBLO-100	207.00	Aluminium housing	100	150	130	19.5
OBLO-148	282.00	Aluminium housing	148	202	180	21.5

MADE IN EUROPE



OLBO-100



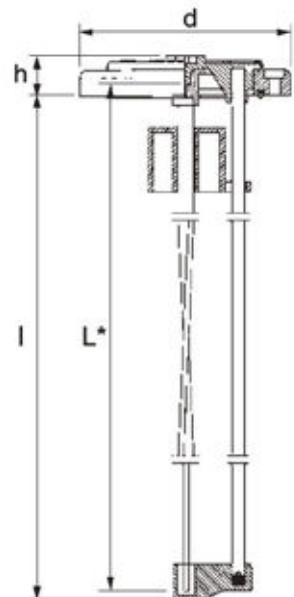
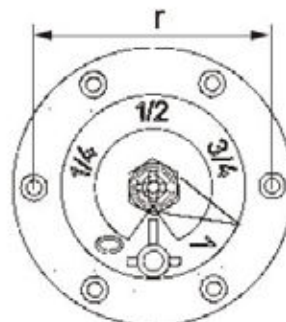
OLBO-148

Vertical Level Indicator (Float System)

Part #	List Price \$	Material	Dimensions (mm)				
			L	d	h	l	r
LGF681	236.00	Aluminium flange cover	200	80	16	203	68
LGF682	239.00	Aluminium flange cover	250	80	16	253	68
LGF683	240.00	Aluminium flange cover	300	80	16	303	68
LGF684	242.00	Aluminium flange cover	350	80	16	353	68
LGF685	244.00	Aluminium flange cover	400	80	16	403	68

MADE IN EUROPE

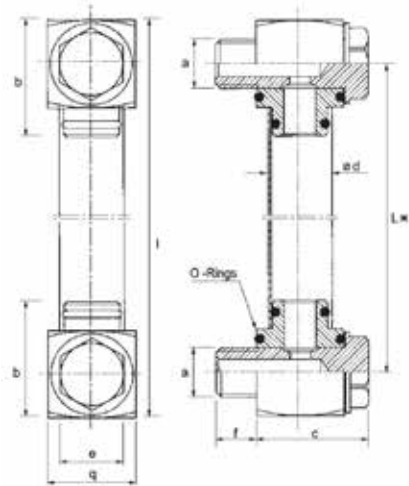
Note: When choosing length, the gauge must not be below the pump section



Level Gauge

Part #	List Price \$	Material	Dimensions (mm)									
			a	L	b	e	q	d	c	f	l	
GLV1G	233.00	Aluminium	3/8" BSPP	500	40	22	30	22	43	10	530	
GLV2G	277.00	Aluminium	3/8" BSPP	1000	40	22	30	22	43	10	1030	
GLV-2ODAD20A	5.00	Backing nuts to suit 3/8" BSPP thread (sold individually)										

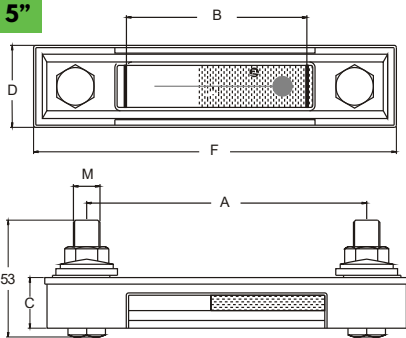
MADE IN EUROPE



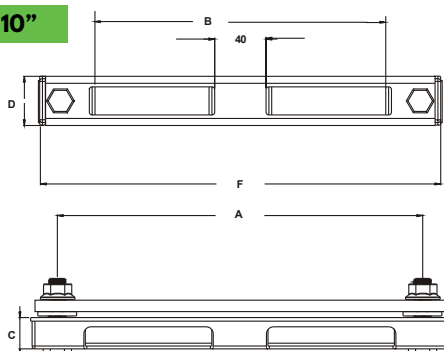
Level Gauge

Part #	List Price \$	Size	Type	Dimensions (mm)					
				A	B	C	D	F	M
LG1	39.00	3" / 76mm	Level	76.2	32	23	35	111	M10
LGT1	47.00	3" / 76mm	Level - Temperature	76.2	32	23	35	111	M10
LG2	43.00	5" / 127mm	Level	127	76	23	35	162	M12
LGT2	50.00	5" / 127mm	Level - Temperature	127	76	23	35	162	M12
LG3	68.00	10" / 254mm	Level	254	200	23	35	289	M12
LGT3	74.00	10" / 254mm	Level - Temperature	254	200	23	35	289	M12

3" / 5"



10"



LG1



LGT2

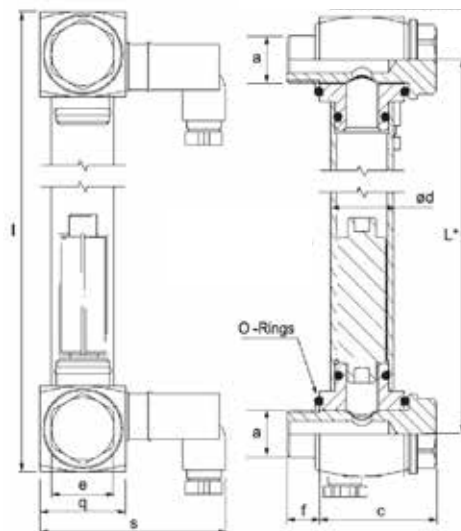


LG3

Electrical Level Gauge

Part #	List Price \$	Material	Dimensions (mm)							
			a	L	e	q	d	c	f	l
GLVE1G	426.00	Aluminium	3/8" BSPP	500	22	30	22	43	10	530
GLVE2G	478.00	Aluminium	3/8" BSPP	1000	22	30	22	43	10	1030
GLV-2ODAD20A	5.00	Backing nuts to suit 3/8" BSPP thread (sold individually)								

MADE IN EUROPE



Electrical Information

Contact	N / O
Sensing	Min & max oil level
AC	140v AC
DC	200v DC
Amps	0.5a
Watts	10w

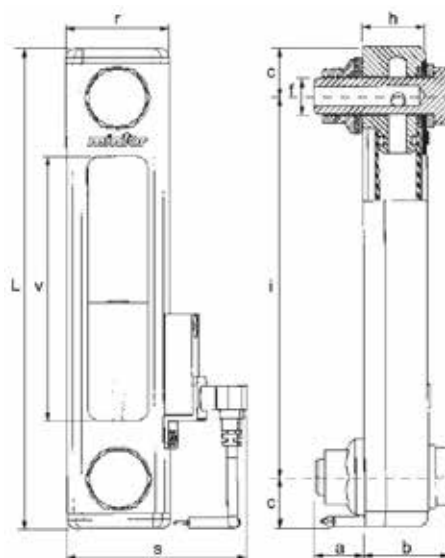
Electrical Level Gauge

Part #	List Price \$	Material	Dimensions (mm)									
			L	r	v	C	i	f	h	a	b	s
PLE2	382.00	Aluminium	160	34	88	16.5	127	M12	21.5	16	29	59
PLE3	453.00	Aluminium	287	34	215	16.5	254	M12	21.5	16	29	59

MADE IN EUROPE

Electrical Information

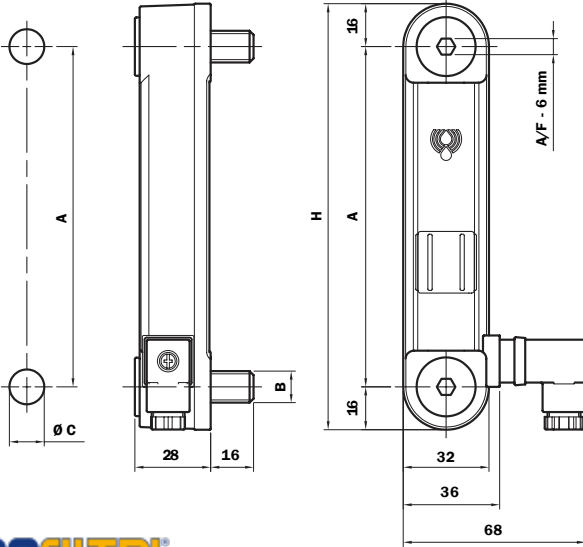
Contact	N / O
Sensing	Min oil level
Lead Length	2500mm
AC	250v AC
DC	250v DC
Amps	0.5a
IP	IP67



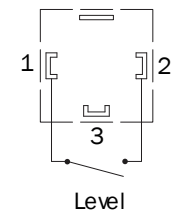
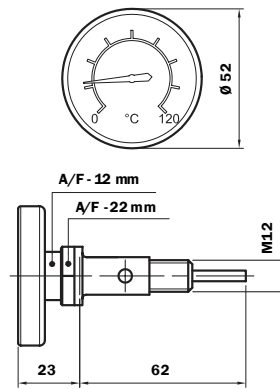
Electrical Level Gauge

Part #	List Price \$	Size	Low Level Switch N.O Contact	PT 100 Temp Sensor	60° Temp Sensor N.O Contact	70° Temp Sensor N.O Contact	Dimensions (mm)		
							M	A	H
LVK10AM121SSP01	442.00	3"	✓	-	-	-	M12	76	108
LVK10AM121PSP01	760.00	3"	✓	✓	-	-	M12	76	108
LVK20AM121SSP01	478.00	5"	✓	-	-	-	M12	127	159
LVK20AM121PSP01	796.00	5"	✓	✓	-	-	M12	127	159
LVK20AM121T2P01	760.00	5"	✓	-	✓	-	M12	127	159
LVK30AM121SSP01	654.00	10"	✓	-	-	-	M12	254	286
LVK30AM121PSP01	972.00	10"	✓	✓	-	-	M12	254	286
LVK30AM121T2P01	937.00	10"	✓	-	✓	-	M12	254	286
LVK30AM121T3P01	937.00	10"	✓	-	-	✓	M12	254	286
TV12	356.00	Visual temperature gauge							

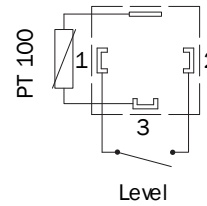
Reservoir
holes



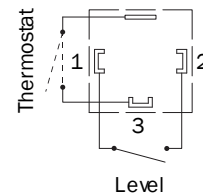
Sensor thermometer



SS type



PT 100
PS type
(PT100 temp
sensor)



T2 type (60°)
and
T3 type (70°)

MPALTRI
MADE IN EUROPE



3"



5"



10"



TV12