

# CATFORD HYDRAULICS PTY LTD



**"A 100% Australian Owned & Operated Company"**

**Mobile : 0418 641566**

**Email : [sales@catford.com.au](mailto:sales@catford.com.au)**



## GM08 Monoblock 45LPM Control Valve

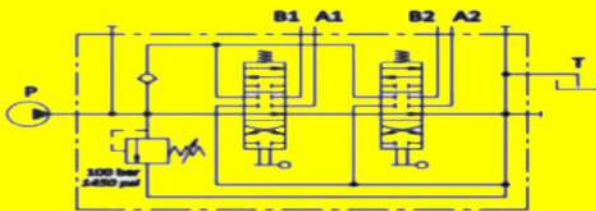
Part Numbers	Spools	Ports A	Ports B	Ports P	Ports T	Weight (KG)	A mm	B mm	Price Inc GST
GM08/1/YSD-X	One	3/8" BSP	3/8" BSP	1/2" BSP	1/2" BSP	3.1	73	104	\$376
GM08/2/YSD-X	Two	3/8" BSP	3/8" BSP	1/2" BSP	1/2" BSP	4.4	110	141	\$583
GM08/3/YSD-X	Three	3/8" BSP	3/8" BSP	1/2" BSP	1/2" BSP	5.7	147	178	\$630
GM08/4/YSD-X	Four	3/8" BSP	3/8" BSP	1/2" BSP	1/2" BSP	7.2	184	215	\$972
GM08/5/YSD-X	Five	3/8" BSP	3/8" BSP	1/2" BSP	1/2" BSP	8.7	221	252	\$1,182
GM08/6/YSD-X	Six	3/8" BSP	3/8" BSP	1/2" BSP	1/2" BSP	10.2	258	289	\$1,375

## GM08 MONOBLOCK VALVES - 45 LPM

Product Specifications

**Website : [www.catford.com.au](http://www.catford.com.au)**

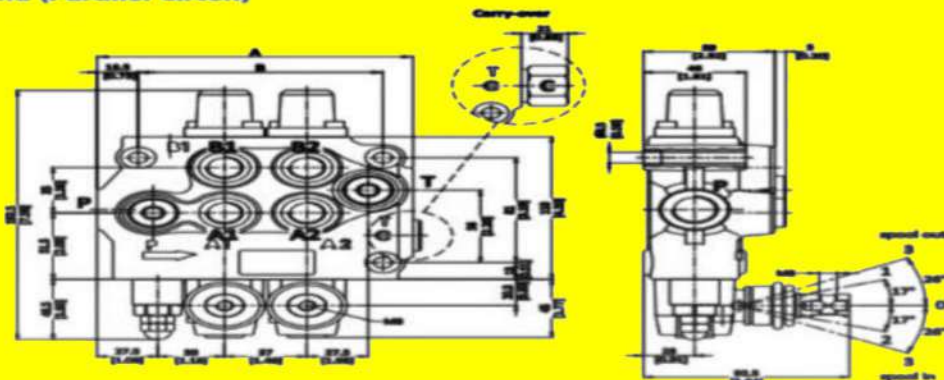
Standard Configuration



Description Example  
GM08/2/YSD-YSD-X



Dimensional Data (Parallel Circuit)





# CATFORD HYDRAULICS PTY LTD



"A 100% Australian Owned & Operated Company"

Email : [sales@catford.com.au](mailto:sales@catford.com.au)



**Mobile : 0418 641566**  
**GM10 Monoblock 90 LPM Control Valve**

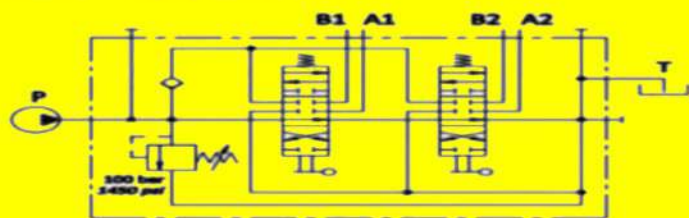
Part Numbers	Spools	Ports A	Ports B	Ports P	Ports T	Weight (KG)	A mm	B mm	Price Inc GST
GM10/1/YSD-X	One	1/2" BSP	1/2" BSP	1/2" BSP	3/4" BSP	5.8	130	100	\$636
GM10/2/YSD-X	Two	1/2" BSP	1/2" BSP	1/2" BSP	3/4" BSP	8.3	175	145	\$934
GM10/3/YSD-X	Three	1/2" BSP	1/2" BSP	1/2" BSP	3/4" BSP	10.9	220	190	\$1,209
GM10/4/YSD-X	Four	1/2" BSP	1/2" BSP	1/2" BSP	3/4" BSP	13.4	265	235	\$1,494
GM10/5/YSD-X	Five	1/2" BSP	1/2" BSP	1/2" BSP	3/4" BSP	16.5	310	280	\$1,809
GM10/6/YSD-X	Six	1/2" BSP	1/2" BSP	1/2" BSP	3/4" BSP	19.2	355	325	\$2,166

## GM10 MONOBLOCK VALVES - 90 LPM

Product Specifications

Standard Configuration

Website : [www.catford.com.au](http://www.catford.com.au)



Description Example  
 GM10/2/YSD YSD X



Dimensional Data (Parallel Circuit)

