

# CATFORD ENGINEERING PRODUCTS

Jamestown

SA 5491

All Prices Excluding GST

Phone: 0418 641 566

[www.catford.com.au](http://www.catford.com.au) [sales@catford.com.au](mailto:sales@catford.com.au)

## Power Transmission

- \*Bell Housings
- \*Motor & Pump Side Couplings
- \*PTO Speed Increase Gearboxes
- \*EM Clutches
- \*Spline Drive Couplings, Bearing Mounts,
- \*Vibration Absorbers
- \*Gaskets





Lot 25, Mannanarie Road, Jamestown, South Australia 5491

PO Box 178, Jamestown, South Australia 5491



0418 641 566



sales@catford.com.au

Due to fluctuations in the Australian dollar and the economic climate, please be advised that all prices are subject to change.  
Please contact us to confirm pricing.

All prices stated within are exclusive of GST  
(All prices are correct as of January 1st 2026, but Catford Engineering reserve the right to change these prices without notice)

## Power Transmission

**CATFORD** Jamestown  
SA 5491  
**ENGINEERING**  
**PRODUCTS**

Phone: 0418 641 566

www.catford.com.au sales@catford.com.au

# POWER TRANSMISSION



HEX-FLX Flywheel  
Couplings

Bell Housing Frame  
Guide

Bell Housings  
(DIN)

Bell Housings  
(Engine)

Bell Housings  
(SAE)

Bell Housings  
(Electric Motor Base)

360

363

364

365

365

366



Pump Side Couplings  
(DIN)

Pump Side Couplings  
(SAE)

Motor Side Couplings

Pilot Bore Couplings

Coupling Elements

Damping Rings

367

368

369

369

370

370



Pump & Bell Housing  
Gaskets

Foot Mounts

SAE Foot Mounts

Rubber Vibration  
Absorbers

PTO Speed Increase  
Gearboxes

Electro Magnetic  
Clutches & Couplings

371

371

372

372

373

377



Bearing Mounts &  
Couplings

378

**CATFORD**  
**ENGINEERING**  
HYDRAULIC PRODUCTS

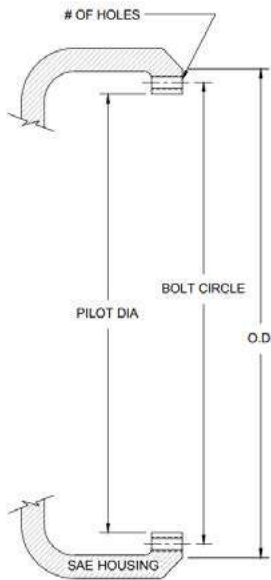


**TECH  
DATA**

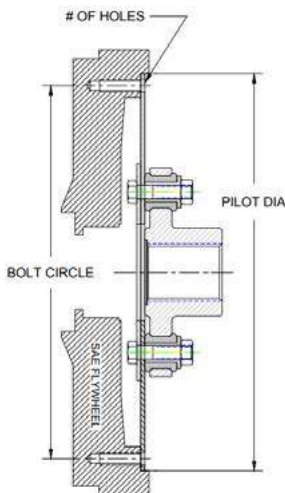
<b>FLYWHEEL DRIVE PLATE</b>	<b>HEX-FLX HUB</b>	<b>PUMP MOUNT PLATE</b>
<b>B-065</b> (6-1/2" Flywheel)	<b>HB2-05</b> (5/8" Straight Keyed)	<b>GN2</b> (SAE A/SAE 5)

**Example part number: B-065-HB2-05-GN2**

FLYWHEEL DRIVE PLATE	List Price \$	HEX-FLX HUB	List Price \$	PUMP MOUNT PLATE	List Price \$
B-065	195.00	HB2-39	210.00	HN2	1329.00
C-075	205.00	HB2-07	203.00	H02	1262.00
C-080	205.00	HB1-41	203.00	H04	1262.00
C-010	240.00	HB1-43	203.00	GN2	1068.00
DT-115	443.00	HB2-88	225.00	G02	1068.00
		HB1-91	225.00	G024	1068.00
		HB2-92	225.00	GX4	1068.00
		HB1-89	337.00	ESP1	1147.00
		HC1-39	270.00	E02	1147.00
		HC1-07	270.00	E024	1147.00
		HC1-41	270.00	EX24	1147.00
		HC1-43	270.00	EX4	1147.00
		HC1-88	349.00	DO24	1309.00
		HC1-91	293.00	DX24	1309.00
		HC1-92	293.00	DS4	1309.00
		HC1-89	293.00	CO24	1821.00
		HC1-94	349.00	CX2	1821.00
		HC4-91	449.00	CX4	1821.00
		HC5-39	427.00	CS4	1821.00
		HC4-09	427.00		
		HC3-07	473.00		
		HC3-41	473.00		
		HC3-43	473.00		
		HC4-88	495.00		
		HC3-91	495.00		
		HC3-92	495.00		
		HC3-89	495.00		
		HC3-94	495.00		
		HDT3-S3	731.00		
		HDT2-90	731.00		
		HDT1-92	731.00		



**SAE Housing**



**SAE Flywheel**



# POWER TRANSMISSION

## HEX-FLX FLYWHEEL COUPLINGS

TECH  
DATA

### Flywheel Drive Plates

Part #	Flywheel	Pump	Flywheel Dimensions			HP Range
			Bolt Circle	Pilot Diameter	# of Holes	
B-065	6-1/2"	SAE A/B/C	200.025mm 7.875"	215.9mm 8.5"	6 @ 8.7mm	30-75 hp
C-075	7-1/2"	SAE A/B/C	222.25mm 8.75"	241.3mm 9.5"	8 @ 8.7mm	65-175 hp
C-080	8"	SAE A/B	263.52mm 10.375"	244.47mm 9.625"	6 @ 10.5mm	65-175 hp
C-010	10"	SAE A/B/C	295.2mm 11.625"	314.325mm 12.375"	8 @ 10.5mm	65-175 hp
DT-115	11-1/2"	SAE C/D/E	352.42mm 13.875"	33.37mm 13.125"	8 @ 10.5mm	200-600 hp

TECH  
DATA

### Pump Shaft Coupling HEX-FLX Hubs

Part #	Flywheel	Shaft Size	Spline OD	Keyway	Pump Flange	Torque		HP Rating
						Nominal	Max	
HB2-39	6.1/2"	5/8" straight keyed	-	5/32"	SAE A	225	365	20-75 hp
HB2-07	6.1/2"	3/4" straight keyed	-	3/16"	SAE A	225	365	20-75 hp
HB1-41	6.1/2"	7/8" straight keyed	-	1/4"	SAE B	225	365	20-75 hp
HB1-43	6.1/2"	1.1/4" straight keyed	-	5/16"	SAE C	225	365	20-75 hp
HB2-88	6.1/2"	9 tooth spline	5/8"	-	SAE A	225	365	20-75 hp
HB1-91	6.1/2"	13 tooth spline	7/8"	-	SAE B	225	365	20-75 hp
HB2-92	6.1/2"	14 tooth spline	1.1/4"	-	SAE C	225	365	20-75 hp
HB1-89	6.1/2"	15 tooth spline	1"	-	SAE A	225	365	20-75 hp
HC1-39	7.1/2"	5/8" straight keyed	-	5/32"	SAE A	585	1125	75-200 hp
HC1-07	7.1/2"	3/4" straight keyed	-	3/16"	SAE A	585	1125	75-200 hp
HC1-41	7.1/2"	7/8" straight keyed	-	1/4"	SAE B	585	1125	75-200 hp
HC1-43	7.1/2"	1.1/4" straight keyed	-	5/16"	SAE C	585	1125	75-200 hp
HC1-88	7.1/2"	9 tooth spline	5/8"	-	SAE A	585	1125	75-200 hp
HC1-91	7.1/2"	13 tooth spline	7/8"	-	SAE B	585	1125	75-200 hp
HC1-92	7.1/2"	14 tooth spline	1.1/4"	-	SAE C	585	1125	75-200 hp
HC1-89	7.1/2"	15 tooth spline	1"	-	SAE B	585	1125	75-200 hp
HC1-94	7.1/2"	21 tooth spline	1.3/8"	-	SAE C	585	1125	75-200 hp
HC4-91	8"	7/8" straight keyed	-	1/4"	SAE B	585	1125	75-200 hp
HC5-39	8"	13 tooth spline	7/8"	-	SAE B	585	1125	75-200 hp
HC4-09	8"	5/8" straight keyed	-	5/32"	SAE A	585	1125	75-200 hp
HC3-07	10"	3/4" straight keyed	-	3/16"	SAE A	585	1125	75-200 hp
HC3-41	10"	7/8" straight keyed	-	1/4"	SAE B	585	1125	75-200 hp
HC3-43	10"	1.1/4" straight keyed	-	5/16"	SAE C	585	1125	75-200 hp
HC4-88	10"	9 tooth spline	5/8"	-	SAE A	585	1125	75-200 hp
HC3-91	10"	13 tooth spline	7/8"	-	SAE B	585	1125	75-200 hp
HC3-92	10"	14 tooth spline	1.1/4"	-	SAE C	585	1125	75-200 hp
HC3-89	10"	15 tooth spine	1"	-	SAE B	585	1125	75-200 hp
HC3-94	10"	21 tooth spline	1.3/8"	-	SAE C	585	1125	75-200 hp
HDT3-S3	11.1/2"	13 tooth spline (turned down flywheel)	1.3/4"	-	SAE D	1300	3300	200-600 hp
HDT2-90	11.1/2"	13 tooth spine	1.3/4"	-	SAE D	1300	3300	200-600 hp
HDT1-92	11.1/2"	14 tooth spline	1.1/4"	-	SAE C	1300	3300	200-600 hp



MADE IN U.S.A.

**TECH  
DATA**

**Pump Mount Plate**

Part #	Engine Mount	Pump Mount	Pump Mounting	Plate Thickness	Engine Mount Dimensions		
					Bolt Circle		# of Holes
HN2	SAE6	SAE A	2 Bolt	5/8"	285.75mm	11.25"	8
HO2	SAE6	SAE B	2 Bolt	5/8"	285.75mm	11.25"	8
HO4	SAE6	SAE B	4 Bolt	5/8"	285.75mm	11.25"	8
GN2	SAE5	SAE A	2 Bolt	5/8"	333.502mm	13.13"	8
G02	SAE5	SAE B	2 Bolt	5/8"	333.502mm	13.13"	8
G024	SAE5	SAE B	2/4 Bolt	5/8"	333.502mm	13.13"	8
GX4	SAE5	SAE C	4 Bolt	5/8"	333.502mm	13.13"	8
ESP1	SAE4	SAE A	2 Bolt	5/8"	381mm	15"	12
E02	SAE4	SAE B	2 Bolt	5/8"	381mm	15"	12
E024	SAE4	SAE B	2/4 Bolt	5/8"	381mm	15"	12
EX24	SAE4	SAE C	2/4 Bolt	5/8"	381mm	15"	12
EX4	SAE4	SAE C	4 Bolt	5/8"	381mm	15"	12
DO24	SAE3	SAE B	2/4 Bolt	5/8"	428.625mm	16.875"	12
DX24	SAE3	SAE C	2/4 Bolt	5/8"	428.625mm	16.875"	12
DS4	SAE3	SAE D	4 Bolt	5/8"	428.625mm	16.875"	12
CO24	SAE2	SAE B	2/4 Bolt	5/8"	466.725mm	18.375"	12
CX2	SAE2	SAE C	2 Bolt	5/8"	466.725mm	18.375"	12
CX4	SAE 2	SAE C	4 Bolt	5/8"	466.725mm	18.375"	12
CS4	SAE 2	SAE D	4 Bolt	5/8"	466.725mm	18.375"	12



MADE IN U.S.A.

Flywheel Drive Plate

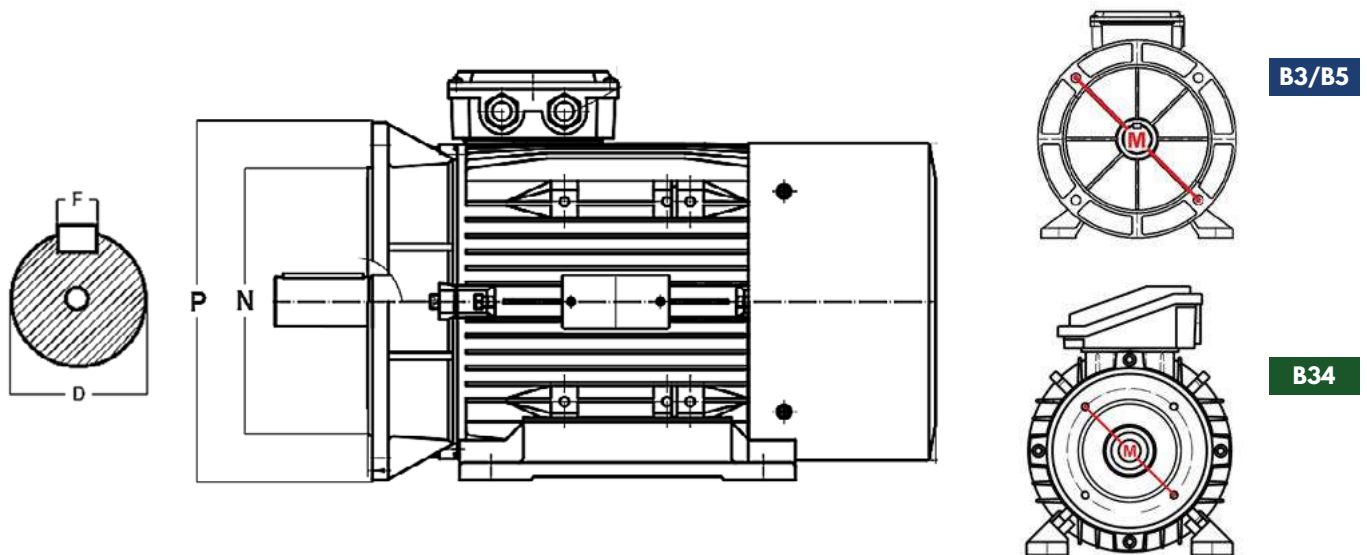


Pump Mount Plate



HEX-FLX Coupling Hub





**Bell Housings Frame Size Guide (240v AC)**

Frame	kW	Voltage	Pole	Dimensions (mm)								
				D	F	B3/B5			B34			
						N	M	P	N	M	P	
63	0.18	240v AC	4-pole	11	4	95	115	140	60	75	90	
71	0.25 - 0.37	240v AC	4-pole	14	5	110	130	160	70	85	105	
80	0.55 - 0.75	240v AC	4-pole	19	6	130	165	200	80	100	120	
90	1.1 - 1.5	240v AC	4-pole	24	8	130	165	200	95	115	140	
100	2.2 - 3.7	240v AC	4-pole	28	8	180	215	250	110	130	160	
112	2.2 - 3.7	240v AC	4-pole	28	8	180	215	250	110	130	160	

**Bell Housings Frame Size Guide (415v AC)**

Frame	kW	Voltage	Pole	Dimensions (mm)								
				D	F	B3/B5			B34			
						N	M	P	N	M	P	
56	0.06 - 0.12	415v AC	4-pole	9	3	80	100	120	50	65	80	
63	0.12 - 0.18	415v AC	4-pole	11	4	95	115	140	60	75	90	
71	0.25 - 0.37	415v AC	4-pole	14	5	110	130	160	70	85	105	
80	0.55 - 0.75	415v AC	4-pole	19	6	130	165	200	80	100	120	
90	1.1 - 2.2	415v AC	4-pole	24	8	130	165	200	95	115	140	
100	2.2 - 5.5	415v AC	4-pole	28	8	180	215	250	110	130	160	
112	2.2 - 5.5	415v AC	4-pole	28	8	180	215	250	110	130	160	
132	7.5 - 11	415v AC	4-pole	38	10	230	265	300	130	165	200	
160	11 - 15	415v AC	4-pole	42	12	250	300	350	180	215	150	
180	18.5 - 22	415v AC	4-pole	48	14	250	300	350				
200	30 - 37	415v AC	4-pole	55	16	300	350	400				
225	37 - 45	415v AC	4-pole	55	16	350	400	450				
250	55	415v AC	4-pole	65	18	450	500	550				

**TECH  
DATA**

**Bell Housings - Group 05 DIN Pumps - 22mm Spigot**

Part #	List Price \$	Motor		Dimensions (mm)							
		Frame Size	Flange Type	D1	D2	D3	D4	H1	H2	F	P
LMG105MFS05M4E	125.00	D71	B34	70	85	105	74	67	9	n/a	7
LMG120MFS05M4E	143.00	D80	B34	80	100	120	84	87	9	n/a	7
LMG141MFS05M4E	109.00	D63	B3/B5	95	115	140	100	95	13	M8	9
		D90	B34	95	115	140	100	95	13	M8	9
LMG160MFS05M4S	76.00	D71	B3/B5	110	130	160	110	70	15	M8	9
LMG200MFS05M4S	100.00	D80-90	B3/B5	130	165	200	135	87	18	M10	11

**TECH  
DATA**

**Bell Housings - Group 1 DIN Pumps - 25.4mm Spigot**

LMG105MFS1004E	125.00	D71	B34	70	85	105	74	67	9	n/a	7
LMG120MFS1004E	143.00	D80	B34	80	100	120	84	87	9	n/a	7
LMG141MFS1004E	109.00	D63	B3/B5	95	115	140	100	95	13	M8	9
		D90	B34	95	115	140	100	95	13	M8	9
LMG160MFS1004E	76.00	D71	B3/B5	110	130	160	110	70	15	M8	9
LMG200MFS1004E	100.00	D80-90	B3/B5	130	165	200	135	87	18	M10	11
LMG250MFS1004S	125.00	D100-112	B3/B5	180	215	250	185	105	22	M12	14

**TECH  
DATA**

**Bell Housings - Group 1 DIN Pumps - 30.3mm Spigot**

LMG105MFS1M04E	125.00	D71	B34	70	85	105	74	67	9	n/a	7
LMG120MFS1M04E	143.00	D80	B34	80	100	120	84	87	9	n/a	7
LMG141MFS1M04E	109.00	D63	B3/B5	95	115	140	100	95	13	M8	9
		D90	B34	95	115	140	100	95	13	M8	9
LMG161MFS1M04E	117.00	D71	B3/B5	110	130	160	110	105	15	M8	9

**TECH  
DATA**

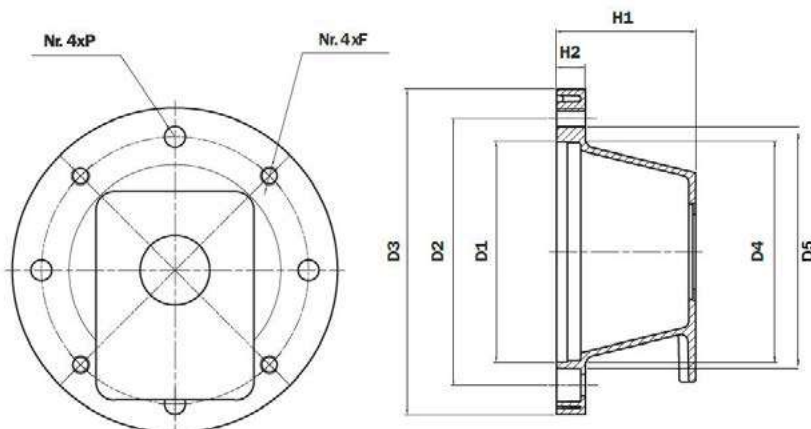
**Bell Housings - Group 2 DIN Pumps - 36.5mm Spigot**

LMG121MFS2004E	143.00	D80	B34	80	100	120	84	95	12	n/a	7
LMG141MFS2004E	109.00	D63	B3/B5	95	115	140	100	95	13	M8	9
		D90	B34	95	115	140	100	95	13	M8	9
LMG161MFS2004E	117.00	D71	B3/B5	110	130	160	110	105	15	M8	9
LMG201MFS2004E	100.00	D80-90	B3/B5	130	165	200	135	95	18	M10	11
LMG250MFS2004E	125.00	D100-112	B3/B5	180	215	250	185	105	22	M12	14
LMG300MFS2004E	214.00	D132	B3/B5	230	265	300	235	145	23	M12	14
LMG351MFS2004E	417.00	D160-180	B3/B5	250	300	350	255	179	31	M16	18
LMG400MFS2004E	564.00	D200	B3/B5	300	350	399	305	201	31	M16	18

**TECH  
DATA**

**Bell Housings - Group 3 DIN Pumps - 50.8mm Spigot**

LMG251MFS3004E	332.00	D100-112	B3/B5	180	215	250	185	126	22	M12	14
LMG300MFS3M04E	214.00	D132	B3/B5	230	265	300	235	145	23	M12	14
LMG351MFS3M04E	417.00	D160-180	B3/B5	250	300	350	255	179	31	M16	18
LMG400MFS3004E	602.00	D200	B3/B5	300	350	399	305	201	31	M16	18



**MPFILTRI**  
MADE IN EUROPE

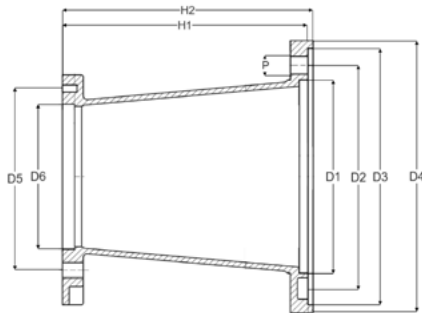


**TECH  
DATA**

### Bell Housings - Engine

Part #	List Price \$	Pump Size	Dimensions (mm)									Access Covers Needed
			D1	D2	D3	D4	D5	D6	H1	H2	P	
LMB110T099A002	164.00	DIN Group 1	67.5	92	-	110	72	40	96	99	9	-
LMB155T140C002M3-1	252.00	DIN Group 1	110	127	146	155	72	67.5	140	143	10	-
LMB155T140C002M3-2	252.00	DIN Group 2	110	127	146	155	96	67.5	140	143	10	-
LMB155T140S060	268.00	SAE A	110	127	146	155	106.4	82.55	140	143	10	-
G-10-101-4.44	350.00	4F17	45.2	92	-	88.9	72.2	45.2	113	-	-	2
AC10	45.00	Access Cover										

**MPFILTRI**  
MADE IN EUROPE



LMB110



LMB155



**TECH  
DATA**

### Bell Housings - SAE A 2-bolt - 82.5mm spigot

Part #	List Price \$	Motor		Dimensions (mm)								
		Frame Size	Flange Type	D1	D2	D3	D4	D5	H1	H2	F	P
LMC200AFSW060	135.00	D80-90	B3/B5	130	165	200	125	135	125	18	M10	11
LMC250AFSQ060	208.00	D100-112	B3/B5	180	215	250	175	186	138	19	M12	14
LMC300AFSX060	287.00	D132	B3/B5	230	265	300	230	235	170	23	M12	14

**TECH  
DATA**

### Bell Housings - SAE B 2-bolt - 101.6mm spigot

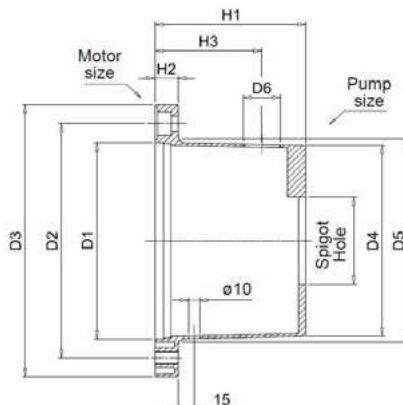
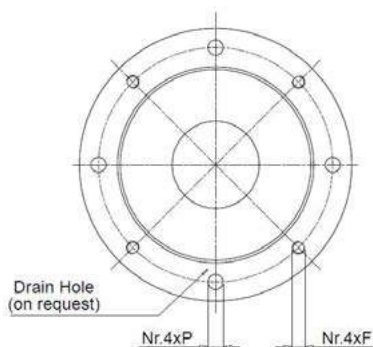
LMC250AFSQ070	208.00	D100-112	B3/B5	180	215	250	175	186	138	19	M12	14
LMC300AFSX070	287.00	D132	B3/B5	230	265	300	230	235	170	23	M12	14
LMC350AFSU070	394.00	D160-180	B3/B5	250	300	350	240	254	194	31	M16	18
LMC400AFSV070	544.00	D200	B3/B5	300	350	400	280	305	201	31	M16	18
LMC450AFSZ070	1269.00	D225	B3/B5	350	400	450	320	350	250	31	M16	M16

**TECH  
DATA**

### Bell Housings - SAE C 2-bolt - 127mm spigot

LMC250AFRC080	477.00	D100-112	B3/B5	180	215	250	175	186	126	19	M12	14
LMC350AFSU080	394.00	D160-180	B3/B5	250	300	350	240	254	194	31	M16	18
LMC400AFSV080	544.00	D200	B3/B5	300	350	400	280	305	201	31	M16	18
LMC450AFSZ080	1269.00	D225	B3/B5	350	400	450	320	350	250	31	M16	M16

**MPFILTRI**  
MADE IN EUROPE

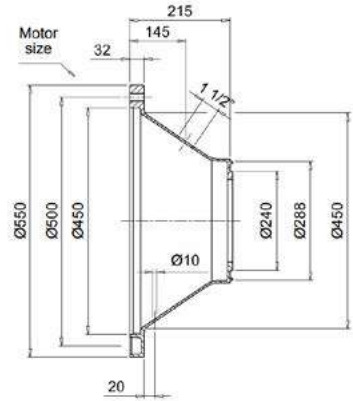
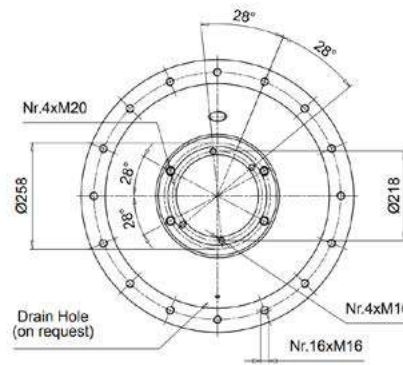


TECH  
DATA

**Bell Housings - Electric Motor Base**

Part #	List Price \$	Motor Size
BMT550A21567	1373.00	250 B3/B5

**MPFILTRI**  
MADE IN EUROPE

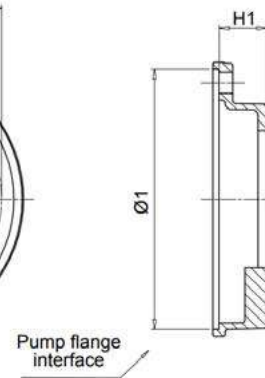
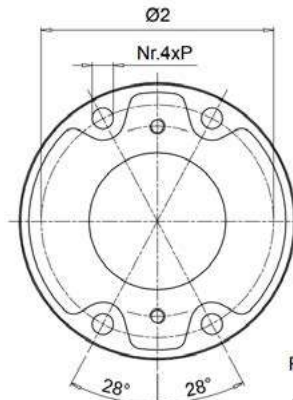


TECH  
DATA

**Bell Housings - Pump Flange (SAE)**

Part #	List Price \$	Pump Flange	Spigot	Dimensions (mm)			
				H1	$\varnothing 1$	$\varnothing 2$	P
FP6045S070	329.00	SAE B 2-bolt	101.6mm	45	258	240	17
FP6032S080	295.00	SAE C 2-bolt	127mm	45	258	240	17

**MPFILTRI**  
MADE IN EUROPE



2 Bolt Version

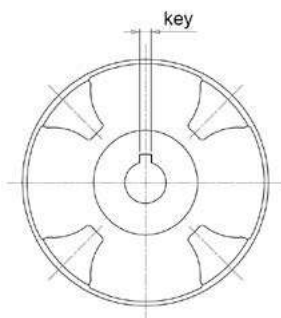
**TECH  
DATA**

### Pump Side Couplings DIN

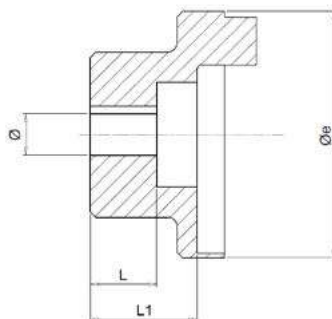
Part #	List Price \$	Pump	Shaft Size	Material	Dimension (mm)					
					Øe	L	L1	Ø	Key	
<b>SERIES 0</b>										
SGEA01FS05M	25.00	Group 05	6mm	Aluminium	44	10	17	6	2	
SGEA01FS05C	25.00	Group 05	7mm	Aluminium	44	10	17	7	2	
SGEA01FS100	25.00	DIN Group 1	1:8 Taper	Aluminium	44	14.5	16	9.7	2.4	
<b>SERIES 2</b>										
SGEA21FS100	37.00	DIN Group 1	1:8 Taper	Aluminium	70	14.5	21.5	9.7	2.4	
SGEA21FSZFR	36.00	DIN Group 2	1:5 Taper	Aluminium	70	20	21.5	16.9	3	
SGEA21FS200	37.00	DIN Group 2	1:8 Taper	Aluminium	70	21.5	21.5	17.2	3.2 & 4*	
SGEA21FS300	37.00	DIN Group 3	1:8 Taper	Aluminium	70	27	41	21.6	4	
<b>SERIES 3</b>										
SGEA31FSZFR	53.00	DIN Group 2	1:5 Taper	Aluminium	85	17	37	16.9	3	
SGEA31FS200	57.00	DIN Group 2	1:8 Taper	Aluminium	85	23	37	17.2	3.2 & 4*	
SGEA31FS300	57.00	DIN Group 3	1:8 Taper	Aluminium	85	27	37	21.6	4	
<b>SERIES 5</b>										
SGEA51FS200	86.00	DIN Group 2	1:8 Taper	Aluminium	109.5	23.5	32	17.2	3.2 & 4*	
SGEA51FS300	86.00	DIN Group 3	1:8 Taper	Aluminium	109.5	25	32	21.6	4	
<b>SERIES 6</b>										
SGEG60FS300	460.00	DIN Group 3	1:8 Taper	Cast Iron	120	25.5	35	21.6	4	

\* Dual key

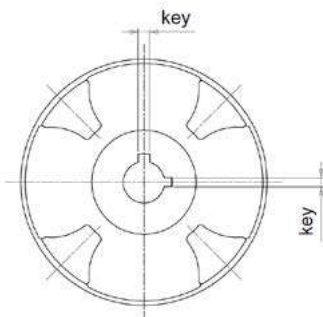
**MPFILTRI**  
MADE IN EUROPE



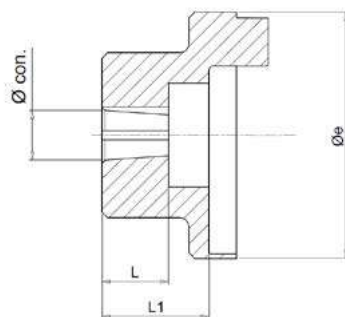
Single Key



Straight Keyed Shaft



Dual Key



Tapered Shaft

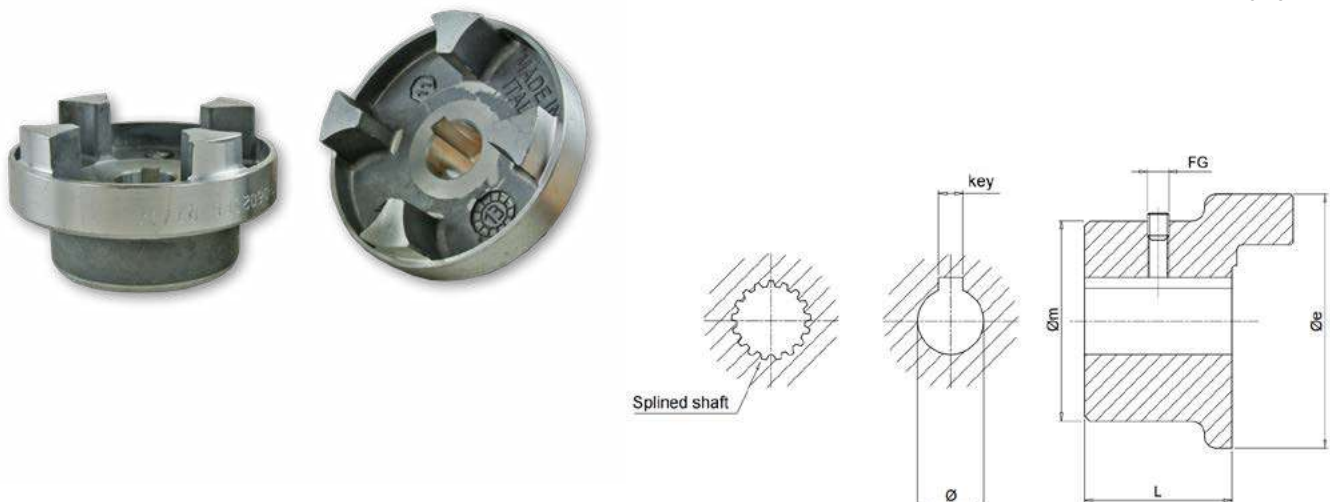


**TECH  
DATA**

### Pump Side Couplings SAE

Part #	List Price \$	Pump	Shaft Size	Material	Dimension (mm)					
					Øe	L	FG	Ø	Key	
<b>SERIES 0</b>										
SGEA01H09019FG	78.00	Group 1 SAE AA	1/2" Keyed	Aluminium	44	19	M5	1/2"	1/8"	
SGEA01H06019FG	75.00	SAE A	5/8" keyed	Aluminium	44	19	M5	5/8"	3/16"	
<b>SERIES 2</b>										
SGEA21H09023FG	54.00	Group 1 SAE AA	1/2" Keyed	Aluminium	70	23	M6	1/2"	1/8"	
SGEA21H06023FG	54.00	SAE A	5/8" Keyed	Aluminium	70	23	M6	5/8"	3/16"	
SGEA21L00050FG	70.00	SAE A	5/8" Keyed	Aluminium	70	50	M6	5/8"	5/32"	
SGEA21G01050FG	70.00	SAE A	3/4" Keyed	Aluminium	70	50	M6	3/4"	3/16"	
SGEA21G020502EFG	70.00	SAE B	7/8" Keyed	Aluminium	70	50	M6	7/8"	3/16"	
SGEA21C020502HFG	70.00	-	16mm	Aluminium	70	50	M6	16	4	
<b>SERIES 3</b>										
SGEA31L00040FG	109.00	SAE A	5/8" Keyed	Aluminium	85	40	M8	5/8"	5/32"	
SGEA31G01040FG	107.00	SAE AA	3/4" Keyed	Aluminium	85	40	M8	3/4"	3/16"	
SGEA31G020502EFG	88.00	SAE B	7/8" Keyed	Aluminium	85	50	M8	7/8"	3/16"	
SGEA31C03040FG	107.00	-	16mm Keyed	Aluminium	85	28	M8	16	5	
<b>SERIES 4</b>										
SGEG40PD0540	458.00	SAE A	9T 16/32"	Cast Iron	95	40	-	5/8"	-	
SGEG40PD0635	458.00	SAE A/SAE B	11T 16/32"	Cast Iron	95	35	-	3/4"	-	
SGEG40PD0835	458.00	SAE B	13T 16/32"	Cast Iron	95	35	-	7/8"	-	
SGEG40PD3640	458.00	SAE A	10T 16/32"	Cast Iron	95	40	-	17.04mm	-	
SGEG40PD0930	458.00	SAE B-B	15T 16/32"	Cast Iron	95	30	-	1"	-	
<b>SERIES 5</b>										
SGEA51G020502EFG	109.00	SAE B	7/8" Keyed	Aluminium	109.5	50	M8	7/8"	3/16"	
SGEA51G040502FFG	109.00	SAE B	1" Keyed	Aluminium	109.5	50	M8	1"	1/4"	
SGEA51G060502G	109.00	SAE C	1.1/4" Keyed	Aluminium	109.5	50	M8	1.1/4"	5/16"	
<b>SERIES 6</b>										
SGEG60PD08050	460.00	SAE B	13T 16/32" Spline	Cast iron	120	50	-	-	-	
SGEG60G020702E	460.00	SAE B	7/8" Keyed	Cast iron	120	70	M8	7/8"	3/16"	
SGEG60PD08070	460.00	SAE B	13T 16/32" Spline	Cast iron	120	60	-	-	-	
SGEG60G060652G	423.00	SAE C	1.1/4" Keyed	Cast iron	120	65.5	M8	1.1/4"	1/4"	
SGEG60PD02065	460.00	SAE C	14T 12/24" Spline	Cast iron	120	65	-	-	-	
SGEG60PD02050	460.00	SAE C	14T 12/24" Spline	Cast iron	120	50	-	-	-	

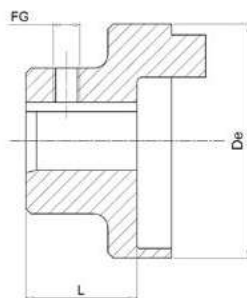
**MPFILTRI®**  
MADE IN EUROPE



**TECH  
DATA**

Motor Side Couplings										
Part #	List Price \$	Motor Frame Size	Shaft Size	Material	Dimension (mm)					
					De	L	FG	Ø	Key	
<b>SERIES 0</b>										
SGEA01M02028FG	25.00	D71	14mm	Aluminium	44	28	M5	14	5	
SGEA01C020282HFG	79.00	-	16mm	Aluminium	44	28	M5	16	4	
SGEA01M03048FG	32.00	D80	19mm	Aluminium	44	48	M5	19	6	
SGEA01M04048FG	32.00	D90	24mm	Aluminium	44	48	M5	24	8	
<b>SERIES 2</b>										
SGEA21M03048FG	45.00	D80	19mm	Aluminium	70	48	M6	19	8	
SGEA21M04048FG	45.00	D90	24mm	Aluminium	70	48	M6	24	8	
SGEA21M05055FG	47.00	D100/112	28mm	Aluminium	70	55	M6	28	8	
<b>SERIES 3</b>										
SGEA31M06077FG	98.00	D132	38mm	Aluminium	85	77	M8	38	10	
<b>SERIES 4</b>										
SGEG40M05060	272.00	D100/112	28mm	Cast Iron	95	60	M8	28	8	
SGEG40M06080	341.00	D132	38mm	Cast Iron	95	80	M8	38	10	
SGEG40M07110	297.00	D160	42mm	Cast Iron	95	110	M8	42	12	
SGEG40M08110	297.00	D180	48mm	Cast Iron	95	110	M8	48	14	
<b>SERIES 5</b>										
SGEA51M07109FG	203.00	D160	42mm	Aluminium	109.5	109	M8	42	12	
SGEA51M08109FG	203.00	D180	48mm	Aluminium	109.5	109	M8	48	14	
SGEA51M09109FG	206.00	D200	55mm	Aluminium	109.5	109	M8	55	16	
<b>SERIES 6</b>										
SGEG60M09110	559.00	D200	55mm	Cast Iron	120	110	M8	55	16	
SGEG60M10140	522.00	D225	60mm	Cast Iron	120	120	M8	60	18	
SGEG60M11140	596.00	D250	65mm	Cast Iron	120	120	M8	65	18	
<b>ENGINE SHAFT COUPLING</b>										
SGEA01G01050FG	45.00	Engine 3-7HP	3/4"	Aluminium	44	50	M5	3/4"	3/16"	
SGEA21G040502FFG	70.00	Engine 9.5-20HP Petrol 7-18HP Diesel	1"	Aluminium	70	50	M5	1"	1/4"	
SGEA21L02050FG	70.00	Engine 20-38HP Petrol 23HP Diesel	1.1/8"	Aluminium	70	50	M5	1.1/8"	1/4"	
SGEA21D02050FG	70.00	Engine 7-13HP	25mm	Aluminium	70	50	M5	25	8	

**MPFILTRI**  
MADE IN EUROPE



**TECH  
DATA**

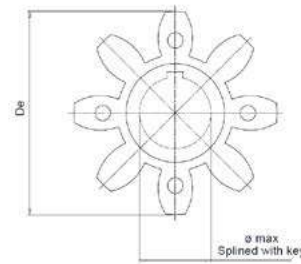
Pilot Bore Couplings									
Part #	List Price \$	Series	Pilot Bore (mm)		Material	Dimension (mm)			
			Min	Max		De	L	Ø	
SGEA0100B050	32.00	0	19	23	Aluminium	44	50	16.5	
SGEA2100B050	55.00	2	14	18	Aluminium	70	50	13.5	
SGEA3100A060	72.00	3	18	27	Aluminium	85	60	15	
SGEG408C	337.00	4	-	55	Cast Iron	95	110	95	
SGEA5100A070	102.00	5	19	23	Aluminium	109.5	70	17.5	
SGEG60BC	427.00	6	-	75	Cast Iron	120	140	-	

**TECH  
DATA**

**Coupling Elements**

Part #	List Price \$	Series	Outside $\phi$	Max Torque	Material	Dimension (mm)		
						E	De	$\phi$ Max
EGE0	9.00	0	38mm	20Nm	Oil-resistant rubber (shore hardness 87)	15	40	16
EGE2	14.00	2	65mm	190Nm	Oil-resistant rubber (shore hardness 87)	18	65	25
EGE3	27.00	3	80mm	380Nm	Oil-resistant rubber (shore hardness 87)	22	80	35
EGE4RR	230.00	4	95mm	760Nm	Polyurethane (shore hardness 92)	24	95	40
EGE5	47.00	5	103.5mm	620Nm	Oil-resistant rubber (shore hardness 87)	26	105	45
EGE5RR	95.00	5	103.5mm	800Nm	Polyurethane (shore hardness 92)	26	105	45
EGE6	212.00	6	120mm	860Nm	Oil-resistant rubber (shore hardness 87)	28	120	55
EGE6RR	261.00	6	120mm	1100Nm	Polyurethane (shore hardness 92)	28	120	55

**MPFILTRI®**  
MADE IN EUROPE

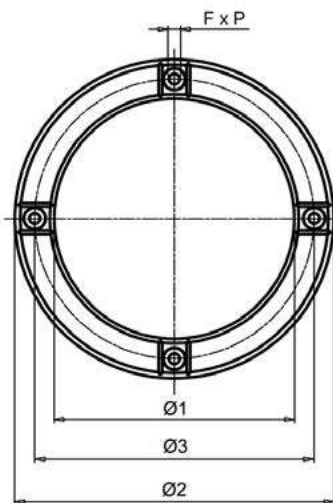


**TECH  
DATA**

**Damping Rings**

Part #	List Price \$	Motor Frame	Motor Flange	Noise Reduction	Dimension (mm)				
					$\phi$ 1	$\phi$ 2	$\phi$ 3	S	F x P
ANMA200	395.00	D80-90	B3/B5	Up to 5 db	144	200	165	40	M10x16
ANMA250	469.00	D100-110	B3/B5	Up to 5 db	191	250	215	45	M12x16
ANMA300	634.00	D132	B3/B5	Up to 5 db	238	300	265	50	M12x16
ANMA350	815.00	D160-180	B3/B5	Up to 5 db	260	350	300	58	M16x20

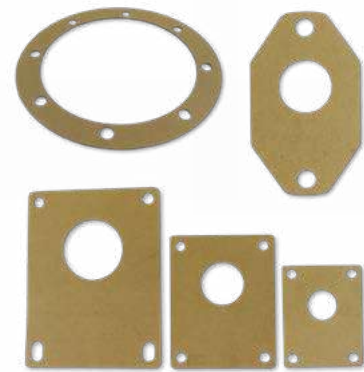
**MPFILTRI®**  
MADE IN EUROPE



TECH  
DATA

### Gaskets

Part #	List Price \$	Bell Housing	Pump Size
GUMP120	5.00	LMG120	-
GUMP140	7.00	LMG140	-
GUMP160	7.00	LMG160	-
GUMP200	8.00	LMC/LMG200	-
GUMP250	12.00	LMC/LMG250	-
GUMP300	16.00	LMC/LMG300	-
GUMP350	24.00	LMC/LMG350	-
GUPP001	4.00	-	Group 05
GUPP002	4.00	-	DIN Group 1
GUPP004	5.00	-	DIN Group 2
GUPP005	7.00	-	DIN Group 3

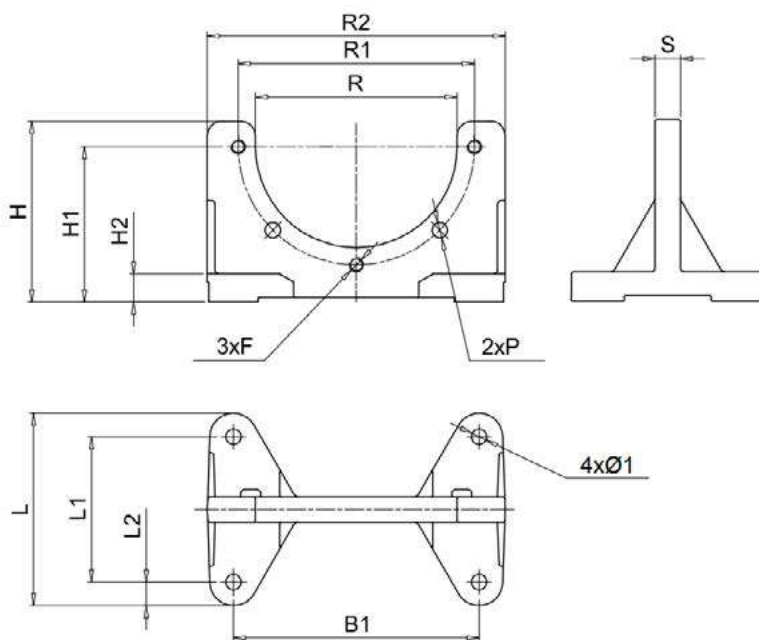


TECH  
DATA

### Foot Mounts (Pressure Diecast Aluminium)

Part #	List Price \$	Motor Frame	Mount	Motor Flange
PDMA160	123.00	D71	135x80 - 8.5mm	B3/B5
PDMA200	141.00	D80-90	175x98 - 11.5mm	B3/B5
PDMA250	169.00	D100-110	220x130 - 13.5mm	B3/B5
PDMA300	260.00	D132	270x160 - 13.5mm	B3/B5
PDMA350	519.00	D160-180	310x200 - 13mm	B3/B5

**MPFILTRI**  
MADE IN EUROPE




### Dimensions (mm)

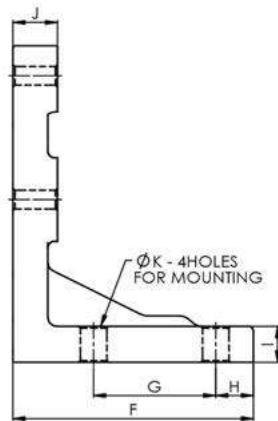
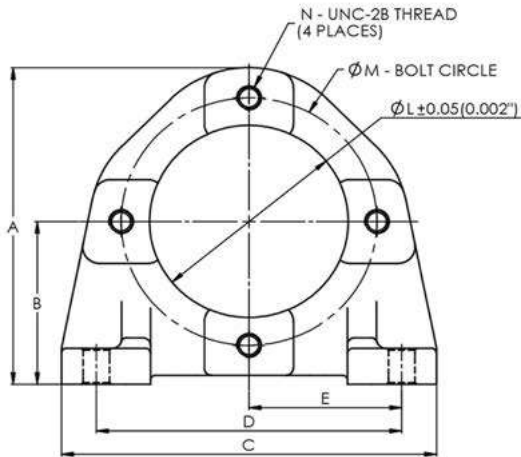
Part #	B	B1	R2	L	L1	L2	H	H1	H2	R	R1	S	P	Ø 1	F
PDMA160	160	135	180	106	80	13	100	86	16	111	130	14	8.5	8.5	M8
PDMA200	200	175	207	128	98	21	128	115	14	146	165	14	11	11.5	M10
PDMA250	250	220	262	172	130	21	157	145	18	191	215	16	13	13.5	M12
PDMA300	300	270	320	210	160	25	188	170	18	191	215	16	13	13.5	M12
PDMA350	350	310	360	300	200	30	220	200	30	261	300	30	18	13	M16

**TECH  
DATA**

**SAE Foot Mounts**

Part #	List Price \$	Mount	Description
HBA-A	261.00	SAE A	Foot bracket kits can be used to mount pumps or motors that have standard SAE-J744 2-bolt A, B or C mounting flanges.
HBA-B	355.00	SAE B	
HBA-C	545.00	SAE C	

 Each kit includes screws for mounting to pump/motor.



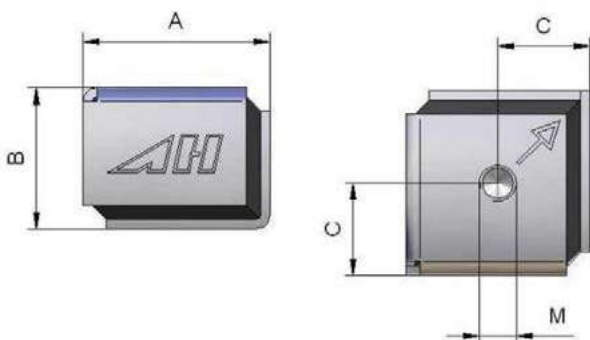
**Dimensions (mm)**

A	B	C	D	E	F	G	H	I	J	K	L	M	N
134.9	69.9	152.4	127	63.5	96	50.8	12.7	12.7	17.5	11	82.6	106.4	3/8"-16 UNC
180.8	92.2	171.5	146	73	95.8	50.8	12.7	12.7	19	11	101.7	146	1/2"-13 UNC
215.9	109.5	265.2	235	117.5	131.6	76.2	17.3	16.7	20.5	17	127.1	181	5/8"-11 UNC

**TECH  
DATA**

**Rubber Vibration Absorbers**

Part #	List Price \$	Description	Material	Weight	Dimensions (mm)			
					M	A	B	C
MDGQ403008IIK	36.00	40x40x30 M8	Zinc coated steel & natural rubber	0.127kg	M8 x 10	40	30	20
MDGQ504510IIK	69.00	50x50x45 M10	Zinc coated steel & natural rubber	0.280kg	M10 x 12	50	45	25
MDGQ755512IIK	165.00	75x75x55 M12	Zinc coated steel & natural rubber	0.659kg	M12 x 15	75	55	37.5
MDGQ1007516IIK	503.00	100x100x75 M16	Zinc coated steel & natural rubber	1.920kg	M16 x 16.5	100	75	50



### TECH DATA

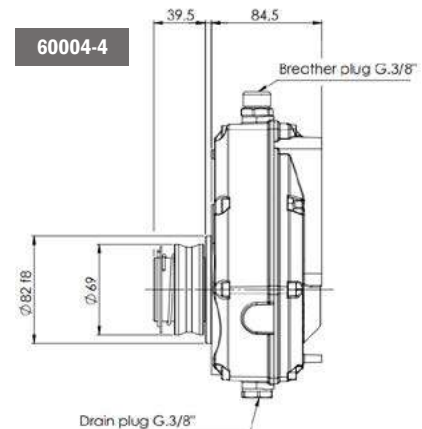
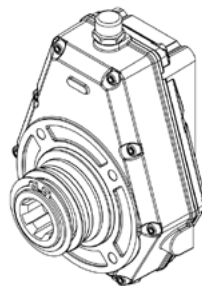
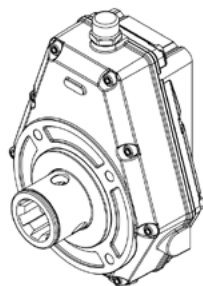
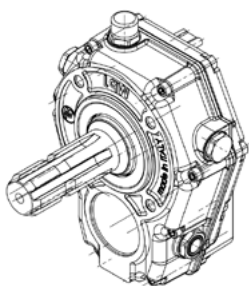
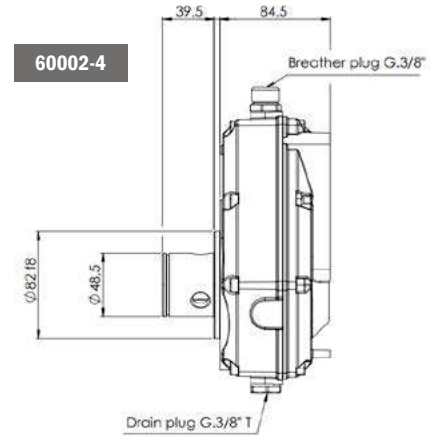
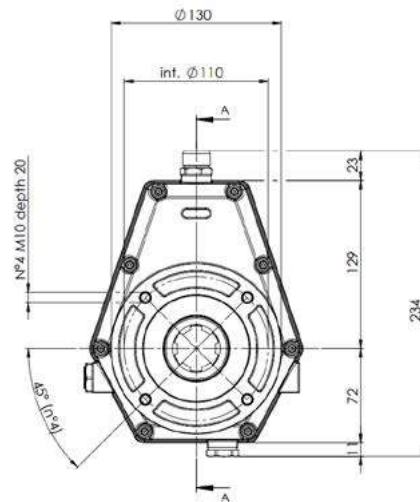
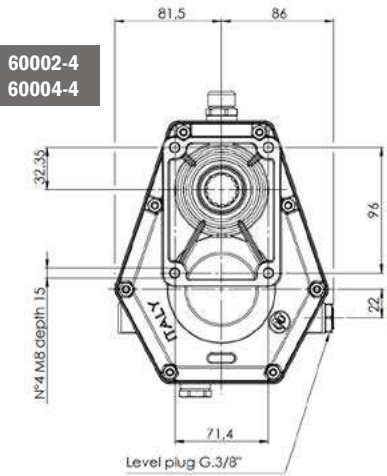
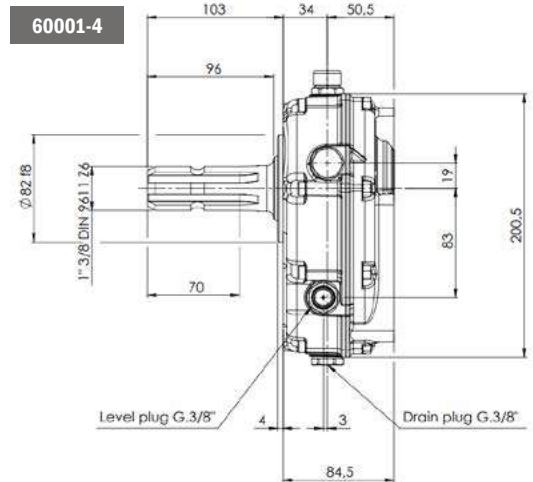
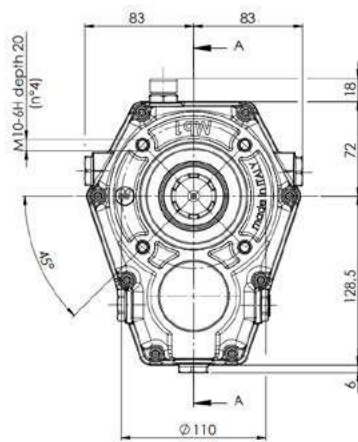
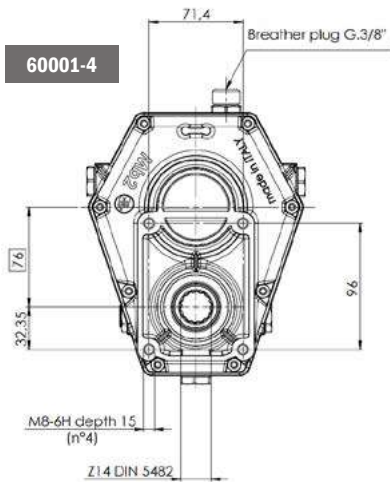
#### 60000 Series 10kW - Gearbox

Part #	List Price \$	Ratio	Shaft	Group
60001-4	676.00	Step Up Gearbox, 3:1 ratio	Extended male shaft P.T.O 1 3/8" 6T	Group 2 DIN
60002-4	676.00	Step Up Gearbox, 3:1 ratio	Extended female shaft P.T.O 1 3/8" 6T	Group 2 DIN
60004-4	751.00	Step Up Gearbox, 3:1 ratio	Extended female shaft quick release P.T.O 1 3/8" 6T	Group 2 DIN

### TECH DATA

#### 60000 Series 10kW - Coupling

Part #	List Price \$	Length	Teeth	Spline (DIN 5482B)	Group	Shaft Cone	Shaft Keyway	Material
10005	27.00	22mm	14	25 x 22	Group 2 DIN	1:8 Taper	3.2mm	Steel
10026	27.00	22.5mm	14	25 x 22	Group 2 DIN	1:8 Taper	4.0mm (Vivoil)	Steel



### TECH DATA

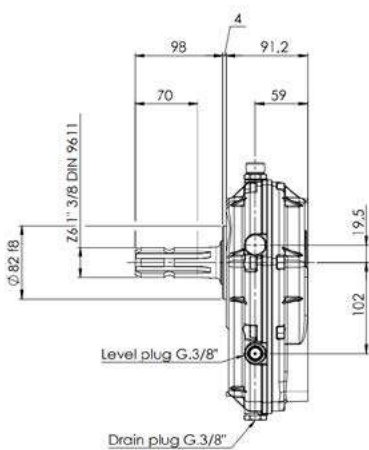
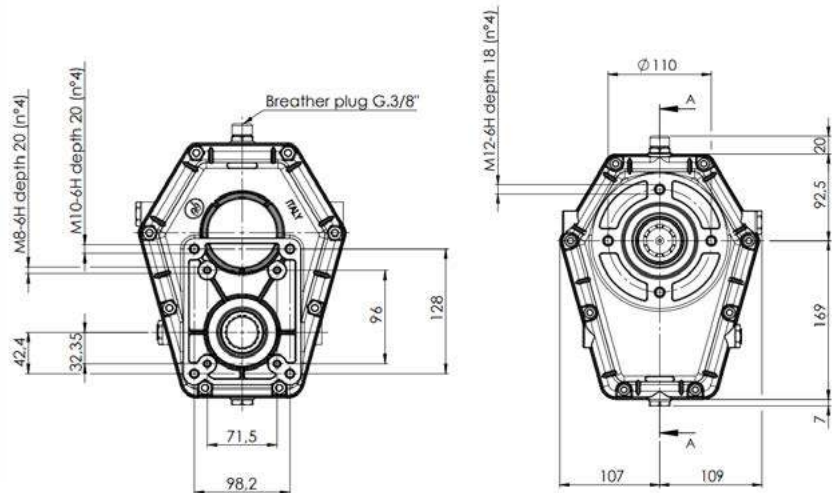
#### 71000 Series 20kW - Gearbox

Part #	List Price \$	Ratio	Shaft	Group
71001-4	912.00	Step Up Gearbox, 3:1 ratio	Extended male shaft P.T.O 1 3/8" 6T	Group 2 & 3 DIN
71002-4	912.00	Step Up Gearbox, 3:1 ratio	Extended female shaft P.T.O 1 3/8" 6T	Group 2 & 3 DIN
71004-4	1023.00	Step Up Gearbox, 3:1 ratio	Extended female shaft quick release P.T.O 1 3/8" 6T	Group 2 & 3 DIN
96100	272.00	Adaptor Plate 71000 series to SAE A mount		
96101	348.00	Adaptor Plate 71000 series to SAE B mount		
19071	96.00	Seal kit		

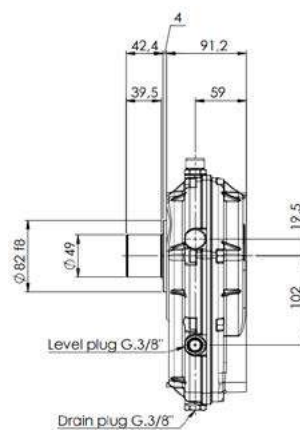
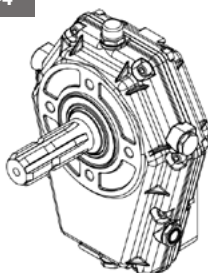
### TECH DATA

#### 71000 Series 20kW - Coupling

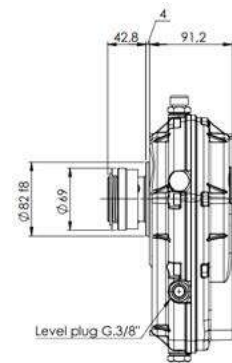
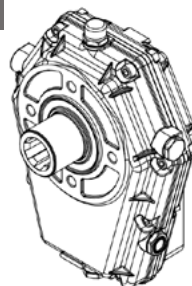
Part #	List Price \$	Length	Teeth	Spline (DIN 5482B)	Group	Shaft Cone	Shaft Keyway	Material
10012	34.00	22 mm	18	35 x 31	Group 2 DIN	1:8 Taper	3.2mm	Steel
10014	34.00	26 mm	18	35 x 31	Group 3 DIN	1:8 Taper	4.0mm (Vivoil)	Steel
10044	36.00	22.5 mm	18	35 x 31	Group 2 DIN	1:8 Taper	4.0mm (Vivoil)	Steel
15002	102.00	48 mm	18	35 x 31	SAE B	7/8" Keyed	4.8mm / 6.4mm	Steel
35513	135.00	45 mm	18	35 x 31	SAE A	5/8" Spline 9T 16/32" DP	-	Steel
35501	102.00	35 mm	18	35 x 31	SAE B	7/8" Spline 13T 16/32" DP	-	Steel



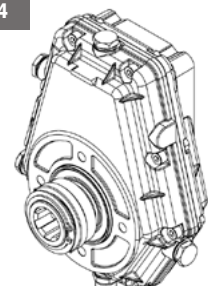
71001-4



71002-4



71004-4



### TECH DATA

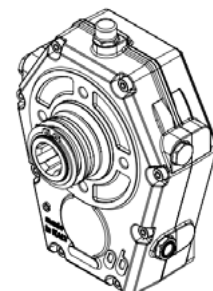
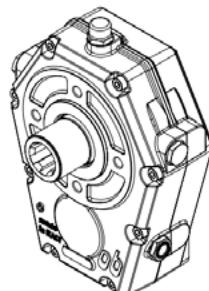
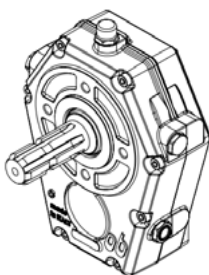
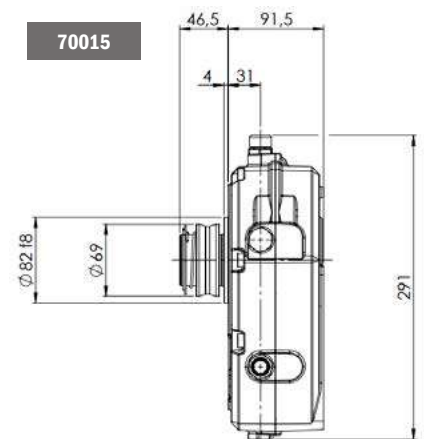
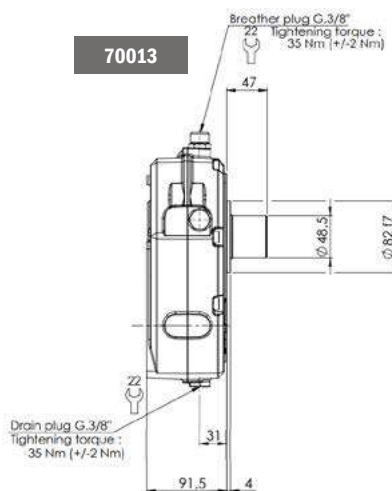
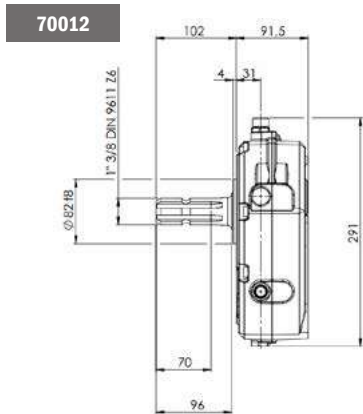
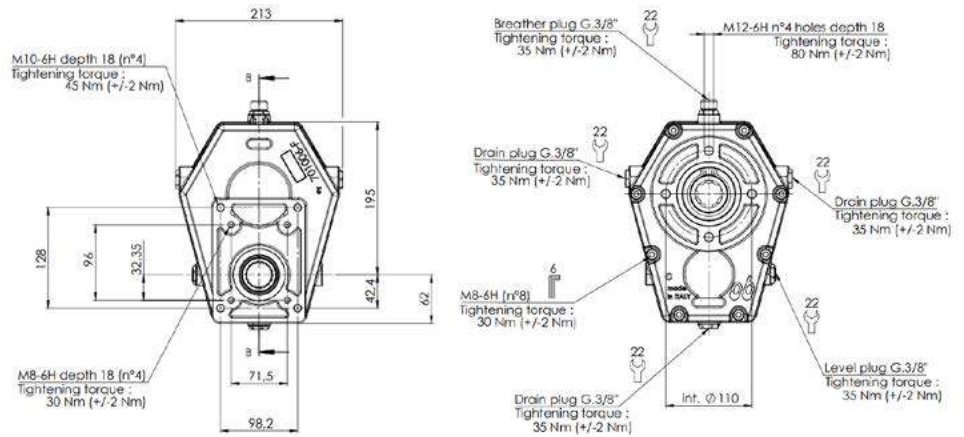
#### 70000 Series 37kW - Gearbox

Part #	List Price \$	Ratio	Shaft	Group	Material
70012-4	2002.00	Step Up Gearbox, 1:3 ratio	Male shaft P.T.O 1 3/8" 6T	Group 2 & 3 DIN	Cast iron
70013-4	2002.00	Step Up Gearbox, 1:3 ratio	Female shaft P.T.O 1 3/8" 6T	Group 2 & 3 DIN	Cast iron
70015-4	2084.00	Step Up Gearbox, 1:3 ratio	Female shaft quick release P.T.O 1 3/8" 6T	Group 2 & 3 DIN	Cast iron
96100	272.00	Adaptor Plate 71000 series to SAE A mount			
96101	348.00	Adaptor Plate 71000 series to SAE B mount			
19071	96.00	Seal kit			

### TECH DATA

#### 70000 Series 37kW - Coupling

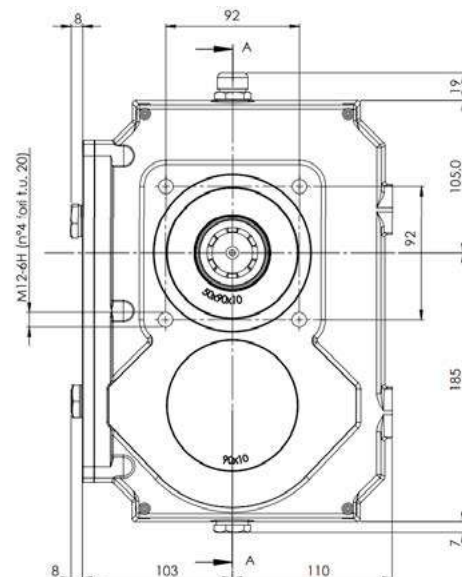
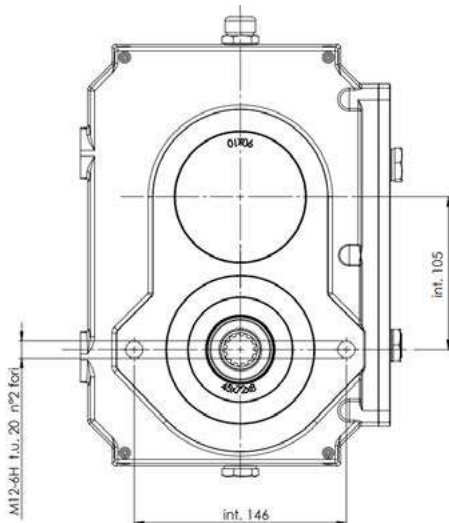
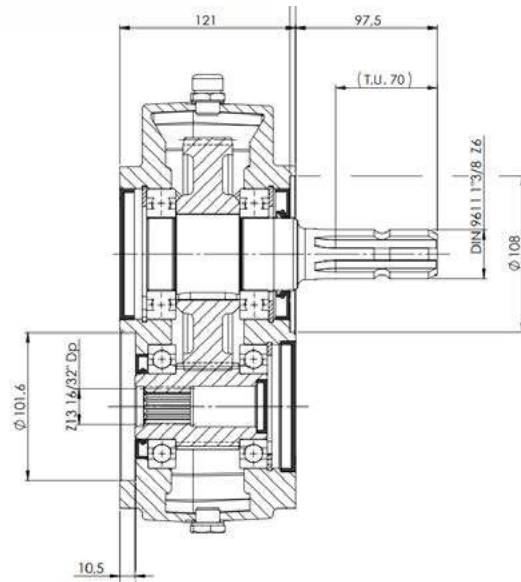
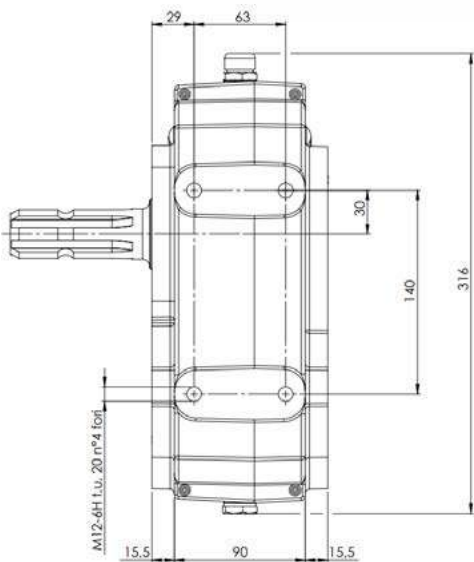
Part #	List Price \$	Length	Teeth	Spline (DIN 5482B)	Group	Shaft Cone	Shaft Keyway	Material
10012	34.00	22 mm	18	35 x 31	Group 2 DIN	1:8 Taper	3.2mm	Steel
10014	34.00	26 mm	18	35 x 31	Group 3 DIN	1:8 Taper	4.0mm (Vivoil)	Steel
10044	36.00	22.5 mm	18	35 x 31	Group 2 DIN	1:8 Taper	4.0mm (Vivoil)	Steel
15002	102.00	48 mm	18	35 x 31	SAE B	7/8" Keyed	4.8mm / 6.4mm	Steel
35513	135.00	45 mm	18	35 x 31	SAE A	5/8" Spline 9T 16/32" DP	-	Steel
35501	102.00	35 mm	18	35 x 31	SAE B	7/8" Spline 13T 16/32" DP	-	Steel



**TECH  
DATA**

**97600 Series 68kW - Gearbox**

Part #	List Price \$	Ratio	Shaft	Input Shaft	Group	Material
97601-7/13	3065.00	Step Up Gearbox, 3.8:1 ratio	Male shaft P.T.O 1 3/8" 6T	7/8" spline 13T 16/32" DP	SAE B	Cast iron



**TECH  
DATA**

### Electro-Magnetic Clutches

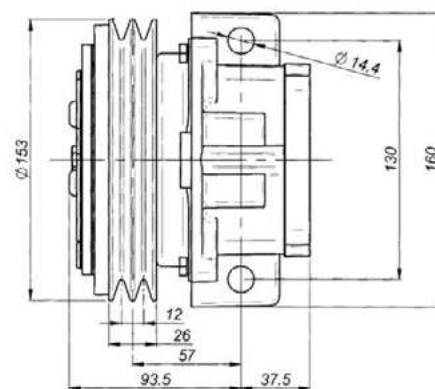
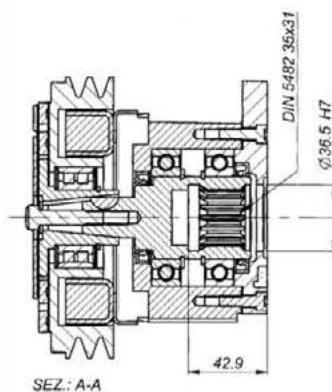
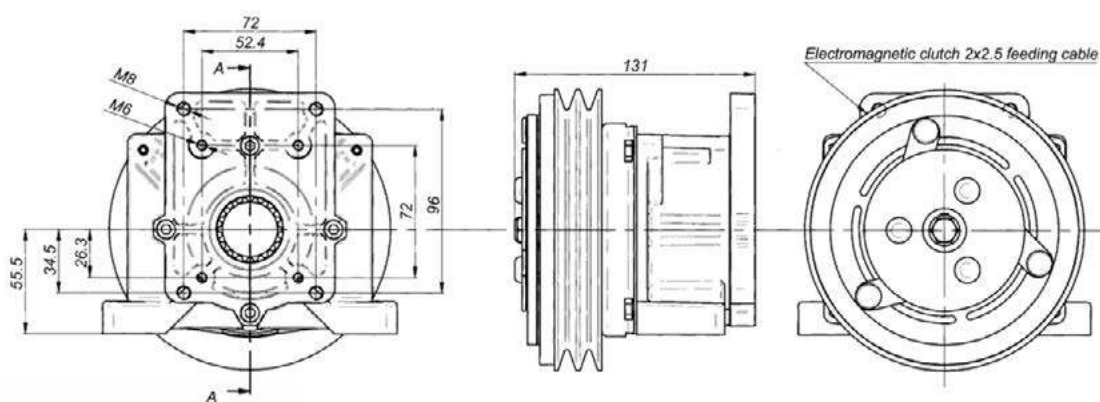
Part #	List Price \$	Voltage	Amp Draw	Maximum Speed	Pump Mount
30901	1738.00	12v DC	3.33a	5000 rpm	Group 1 & 2 DIN
30903	1738.00	24v DC	1.26a	5000 rpm	Group 1 & 2 DIN
30980	1785.00	12v DC	3.33a	5000 rpm	Group 1 & 2 DIN
30981	1785.00	24v DC	1.26a	5000 rpm	Group 1 & 2 DIN

NEW

NEW

### Torque Settings

Clutch Part #	Nominal	Static	Dynamic					
			500 rpm	1000 rpm	1500 rpm	2000 rpm	2500 rpm	3000 rpm
30901	7.8 daNm	12.5 daNm	8.5 daNm	7.0 daNm	4.2 daNm	3.5 daNm	2.7 daNm	2.5 daNm
30903	7.8 daNm	12.5 daNm	8.5 daNm	7.0 daNm	4.2 daNm	3.5 daNm	2.7 daNm	2.5 daNm
30980	11.8 daNm	14.0 daNm	12.5 daNm	11.0 daNm	8.2 daNm	7.7 daNm	6.7 daNm	6.6 daNm
30981	11.8 daNm	14.0 daNm	12.5 daNm	11.0 daNm	8.2 daNm	7.7 daNm	6.7 daNm	6.6 daNm



**TECH  
DATA**

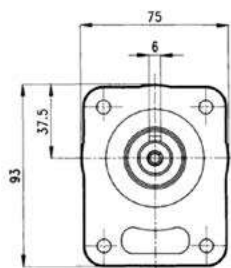
### Electro-Magnetic Clutch Couplings

Part #	List Price \$	Length	Teeth	Outer Profile (DIN 5482B)	Group	Shaft Cone	Shaft Keyway	Material
10010	60.00	14.5mm	18	35 x 31	Group 1 DIN	1:8 Taper	2.4mm	Steel
10012	34.00	22.0mm	18	35 x 31	Group 2 DIN	1:8 Taper	3.17mm	Steel
10044	36.00	22.5mm	18	35 x 31	Group 2 DIN	1:8 Taper	4mm (Vivoil)	Steel
10014	34.00	26.0mm	18	35 x 31	Group 3 DIN	1:8 Taper	4mm	Steel

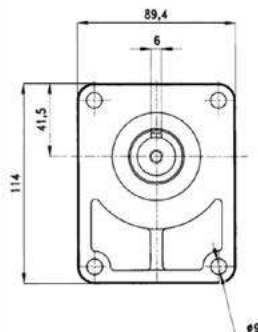
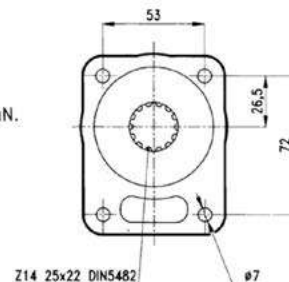
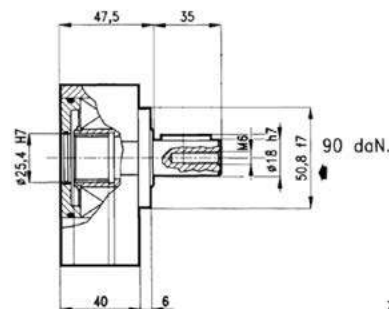
**TECH  
DATA**

**Bearing Mounts**

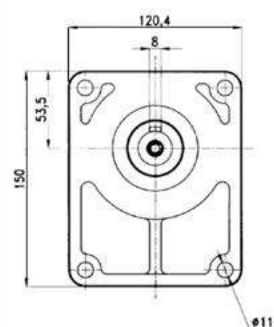
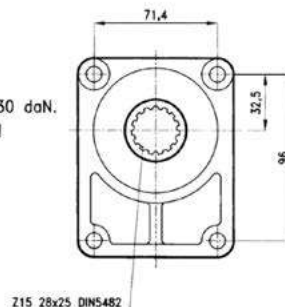
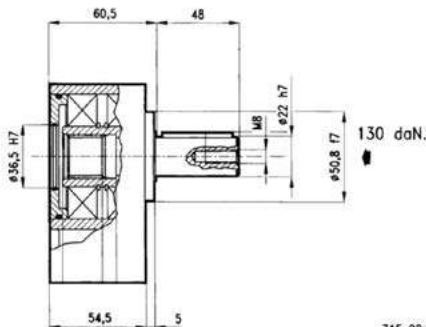
Part #	List Price \$	Splined Coupling (DIN 5482B)	Pump Group	Shaft Ø	Shaft Keyway	Shaft Load Radial Maximum	Material
25601	342.00	14T 25x22	Group 1	18mm	4.0mm	100 daNm	Aluminium
25603	416.00	15T 28x25	Group 2	22mm	6.0mm	285 daNm	Aluminium
25604-4	901.00	18T 35x31	Group 3	24mm	8.0mm	318 da Nm	Aluminium



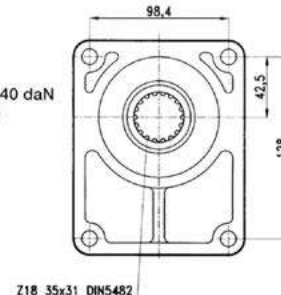
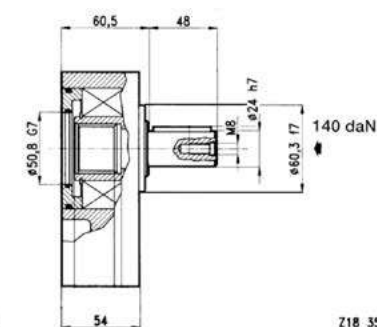
25601



25603



25604-4



**TECH  
DATA**

**Bearing Mount Couplings**

Part #	List Price \$	Length	Teeth	Spline (DIN 5482B)	Group	Shaft Cone	Shaft Keyway	Material
10003	32.00	14.5 mm	14	25 x 22	Group 1 DIN	1:8 Taper	2.4mm	Steel
10033	32.00	16 mm	14	25 x 22	Group 1.5 DIN	1:8 Taper	3.0mm	Steel
10007	41.00	22 mm	15	28 x 25	Group 2 DIN	1:8 Taper	3.2mm	Steel
10035	41.00	22.5 mm	15	28 x 25	Group 2 DIN	1:8 Taper	4.0mm (Vivoil)	Steel
10014	34.00	26 mm	18	35 x 31	Group 3 DIN	1:8 Taper	4.0mm	Steel

